



US00D601658S

(12) **United States Design Patent**  
**Wang et al.**

(10) **Patent No.:** **US D601,658 S**

(45) **Date of Patent:** **\*\* Oct. 6, 2009**

(54) **SPRINKLER**

7,191,958 B1 \* 3/2007 Wang ..... 239/200  
D562,939 S \* 2/2008 Lo ..... D23/214  
7,389,942 B2 \* 6/2008 Kenyon et al. .... 239/30

(75) Inventors: **Po-Hsiung Wang**, Miao-Li Hsien (TW);  
**Tzu-Meng Wang**, Miao-Li Hsien (TW)

\* cited by examiner

(73) Assignee: **Kwan-Ten Enterprise Co., Ltd.**,  
Miao-Li Hsien (TW)

*Primary Examiner*—Robin V Webster  
(74) *Attorney, Agent, or Firm*—C. G. Mersereau; Nikolai &  
Mersereau, P.A.

(\*\*) Term: **14 Years**

(21) Appl. No.: **29/335,692**

(57) **CLAIM**

(22) Filed: **Apr. 20, 2009**

The ornamental design for a sprinkler, as shown.

(51) **LOC (9) Cl.** ..... **23-01**

**DESCRIPTION**

(52) **U.S. Cl.** ..... **D23/214**

FIG. 1 is a front perspective view of a sprinkler showing our  
new design;

(58) **Field of Classification Search** ..... D23/213,  
D23/214, 217, 221; D8/1; 239/200–206,  
239/DIG. 1, 276

FIG. 2 is a front view thereof;

See application file for complete search history.

FIG. 3 is a rear view thereof;

(56) **References Cited**

FIG. 4 is a left side view thereof;

**U.S. PATENT DOCUMENTS**

FIG. 5 is a right side view thereof;

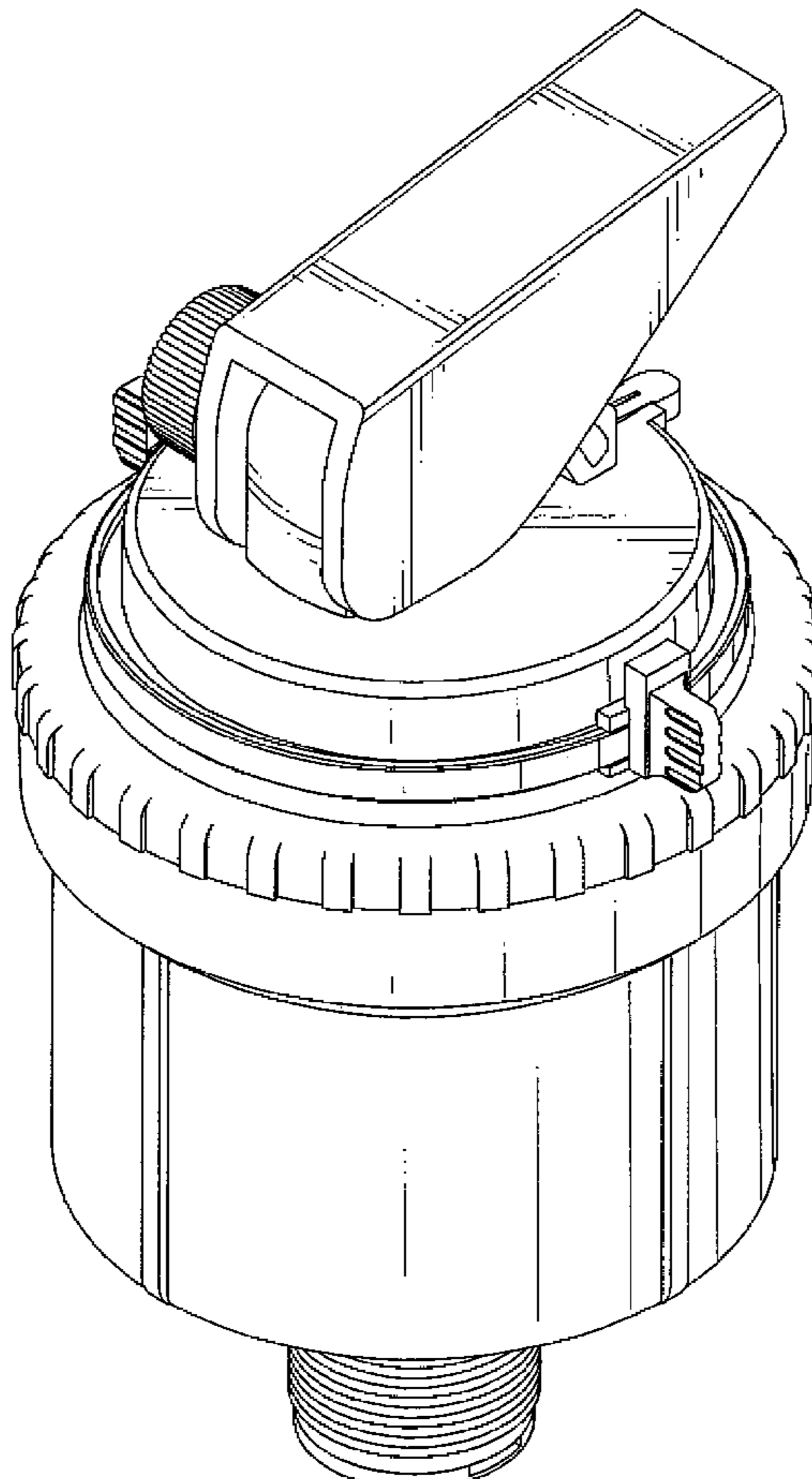
4,648,558 A \* 3/1987 Rabitsch ..... 239/228  
D443,914 S \* 6/2001 Heren et al. .... D23/214  
D466,585 S \* 12/2002 Alkalay ..... D23/214  
D466,972 S \* 12/2002 Clivio ..... D23/214  
D507,818 S \* 7/2005 Wu ..... D23/214

FIG. 6 is top view thereof;

FIG. 7 is a bottom view thereof; and,

FIG. 8 is a rear perspective view thereof.

**1 Claim, 8 Drawing Sheets**



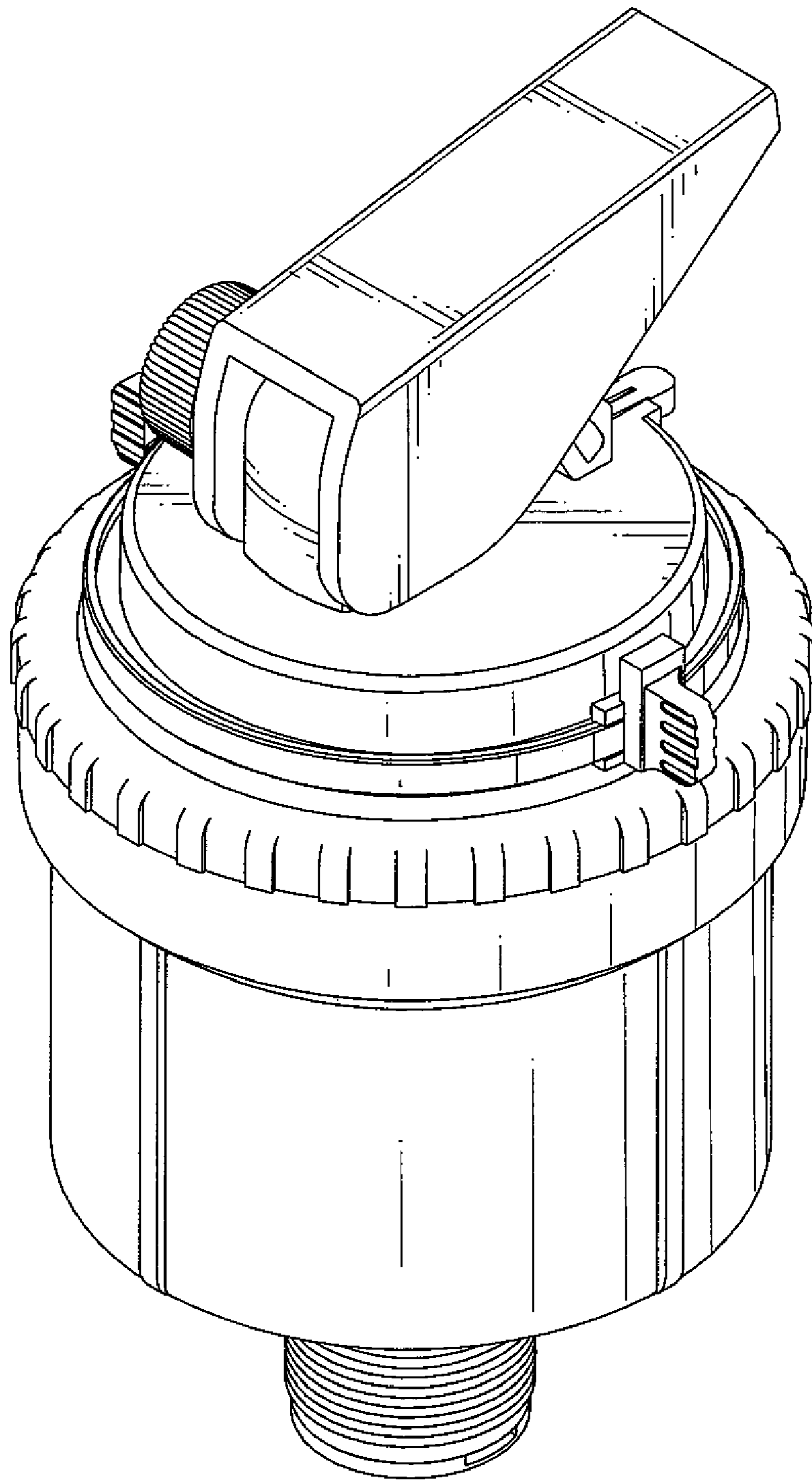


FIG.1

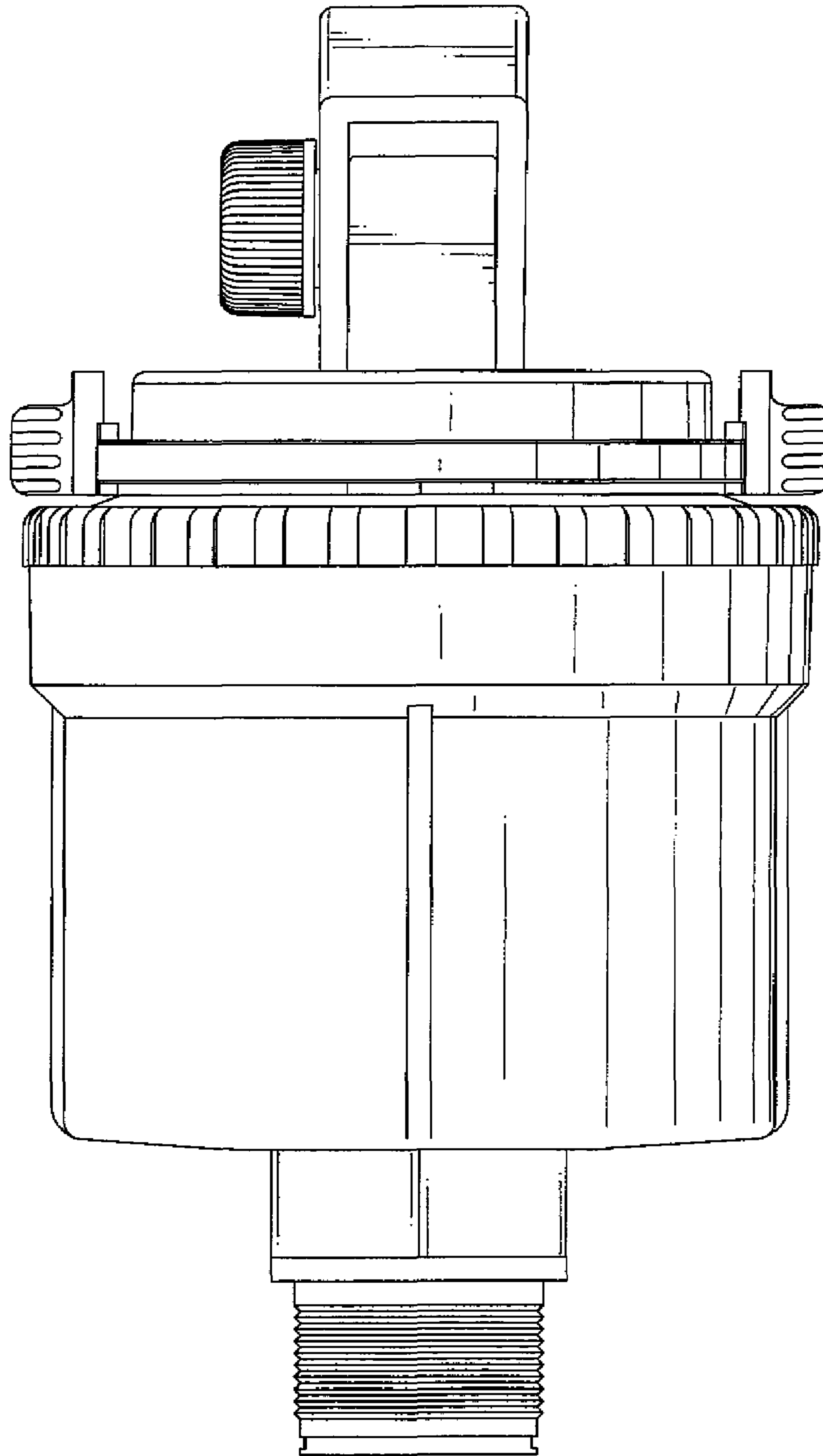


FIG.2

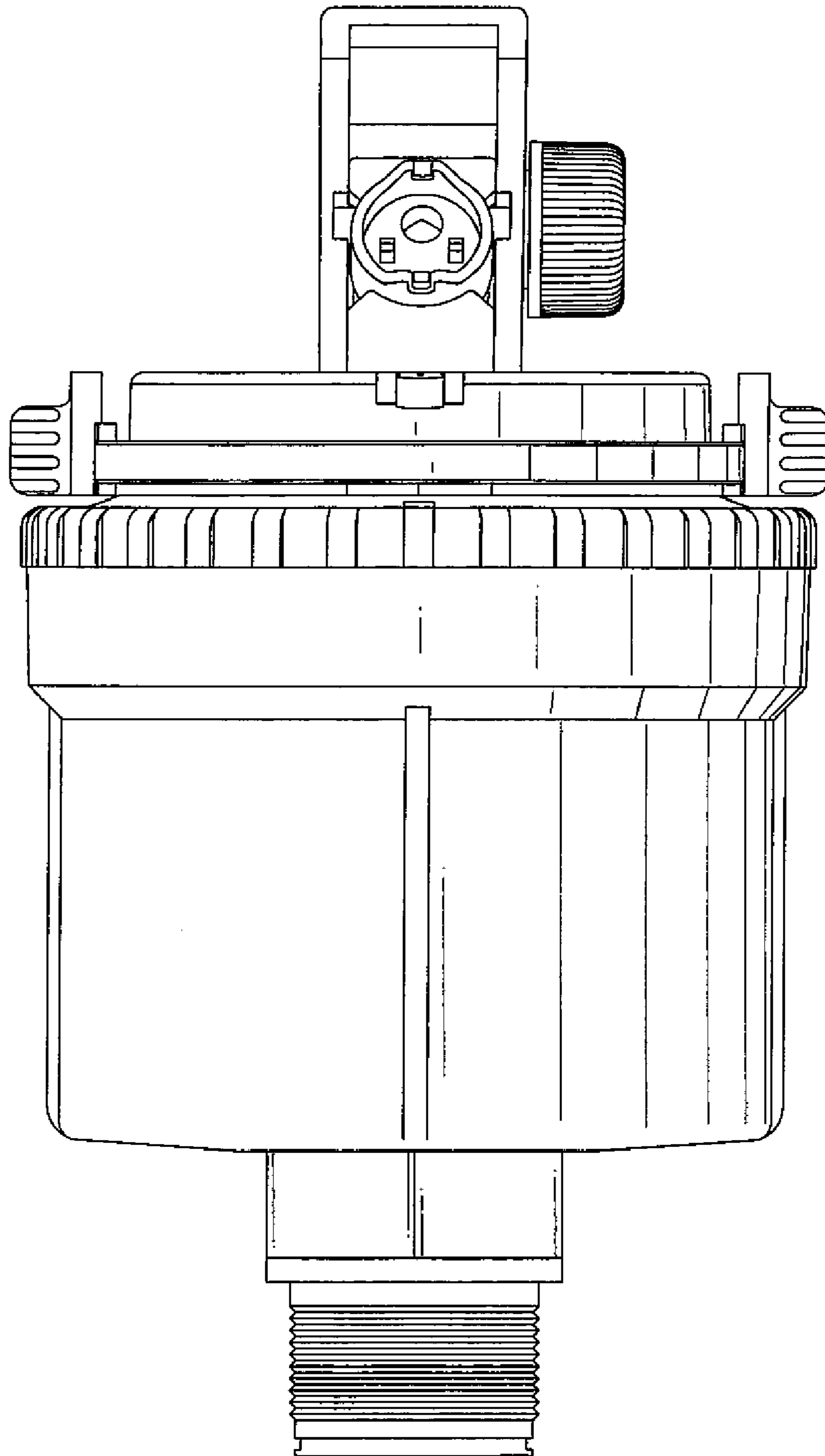


FIG.3

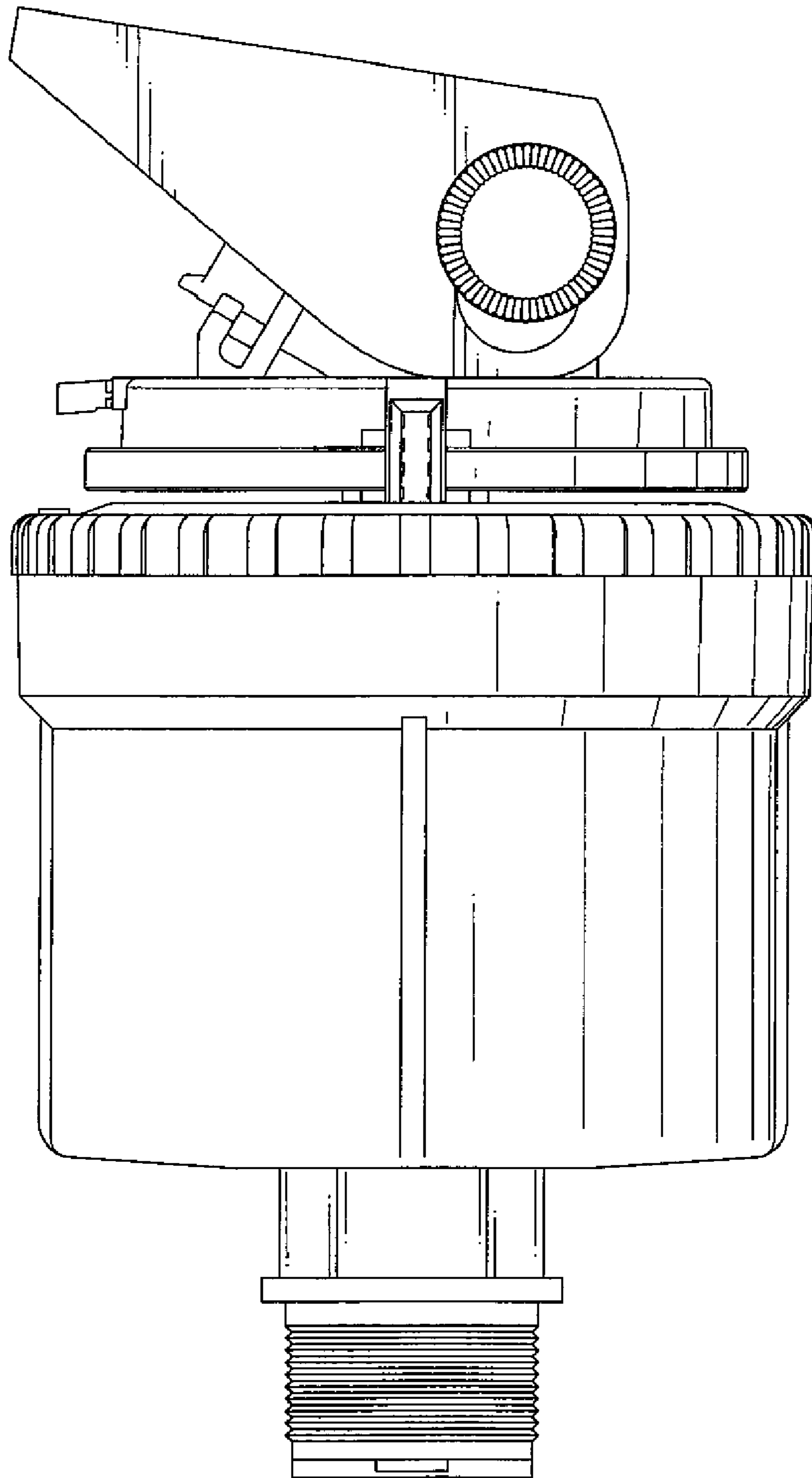


FIG.4

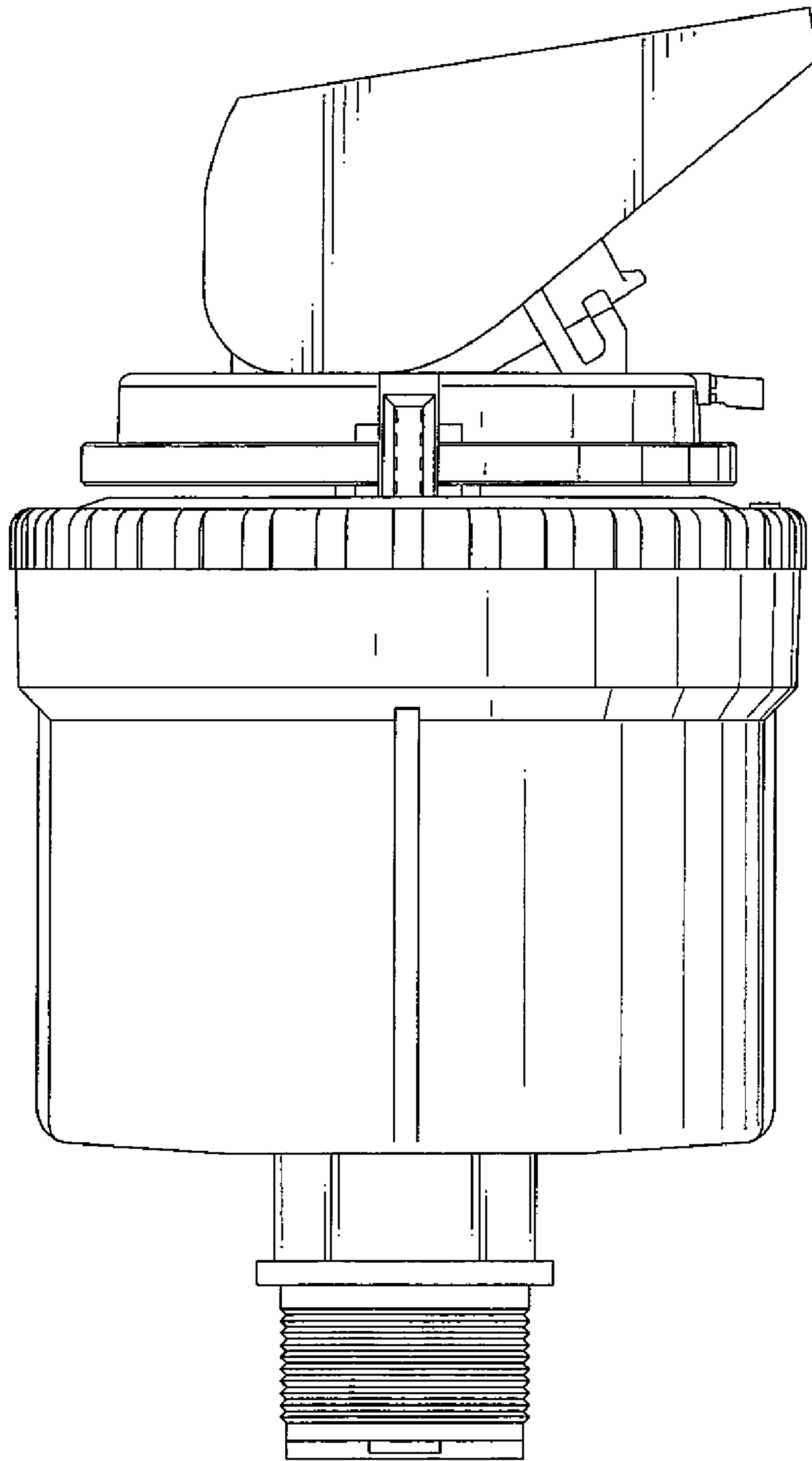


FIG.5

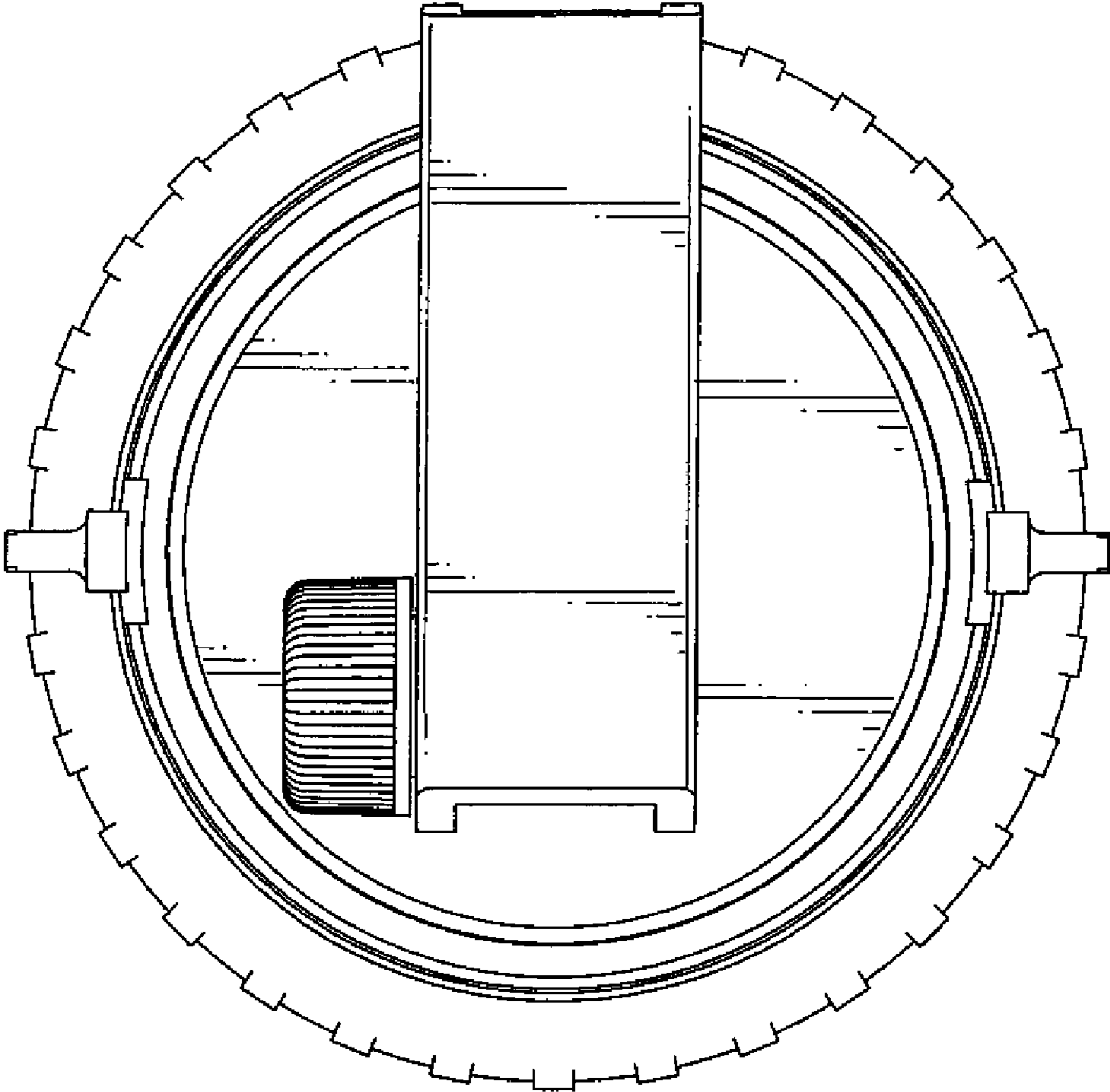


FIG.6

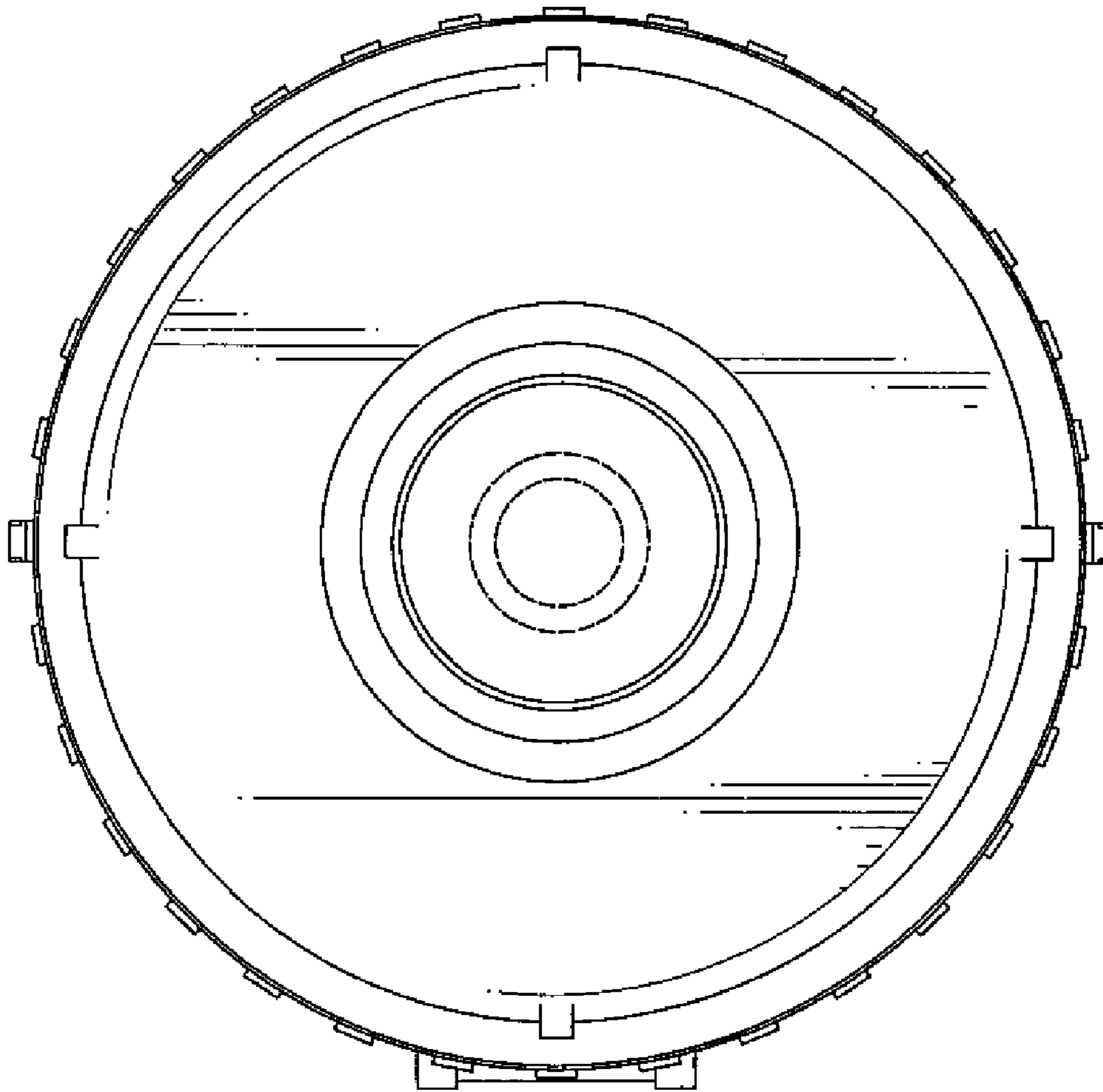


FIG.7



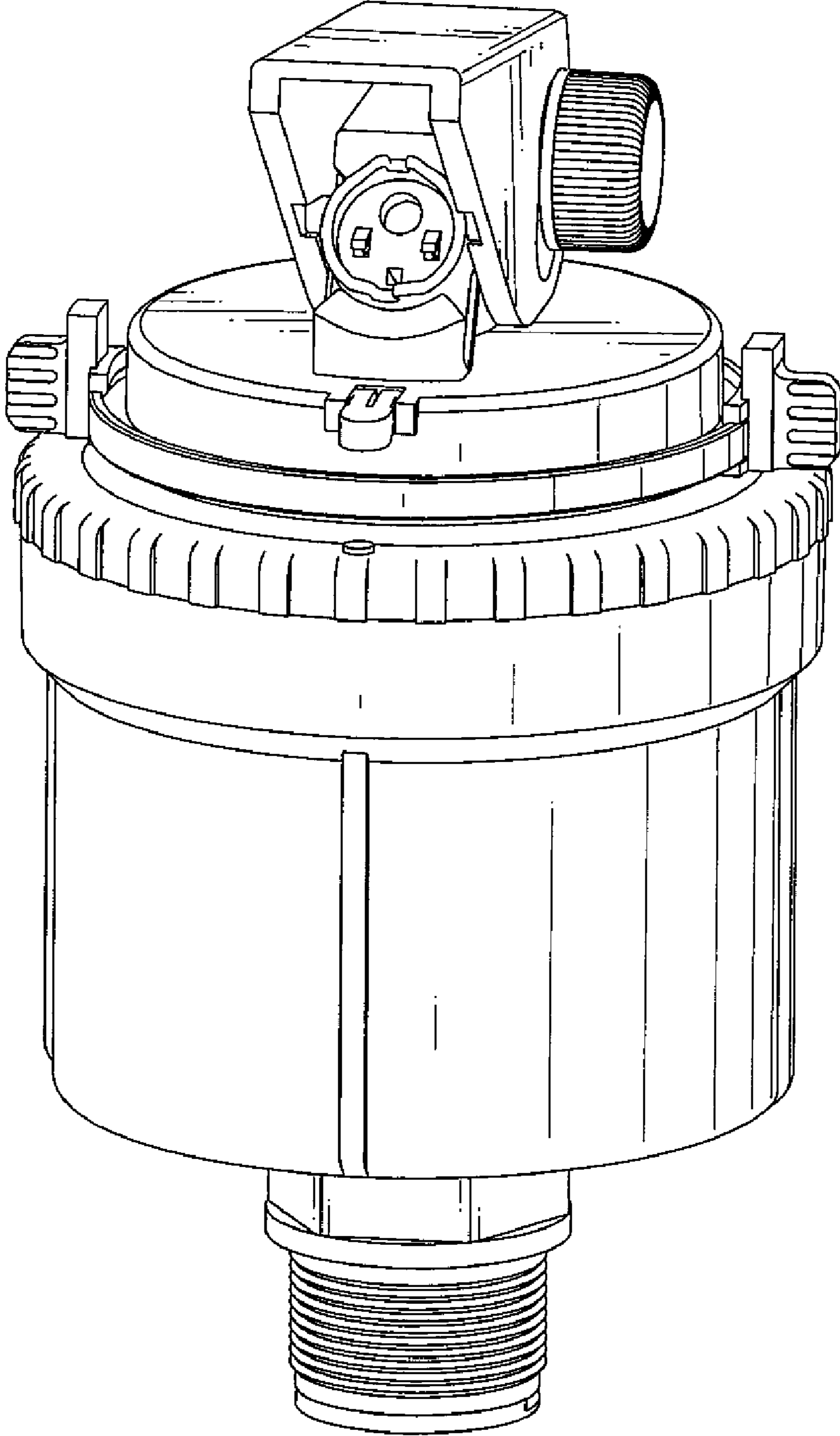


FIG.8