

US00D601655S

(12) **United States Design Patent**
Golden

(10) **Patent No.:** **US D601,655 S**

(45) **Date of Patent:** **** Oct. 6, 2009**

(54) **FISHING POLE HOOK SETTING DEVICE**

(76) Inventor: **Tom Golden**, 19251 Avenue 144, Poplar, CA (US) 93257

(**) Term: **14 Years**

(21) Appl. No.: **29/329,499**

(22) Filed: **Dec. 16, 2008**

(51) **LOC (9) Cl.** **22-05**

(52) **U.S. Cl.** **D22/148**

(58) **Field of Classification Search** D22/134,
D22/148; 43/15-16, 21.2; 248/533

See application file for complete search history.

(56) **References Cited**

U.S. PATENT DOCUMENTS

5,383,695	A *	1/1995	Couper	D22/134
D359,792	S *	6/1995	Chipalla, Jr.	D22/134
6,336,287	B1 *	1/2002	Lobato	43/16
6,430,864	B1 *	8/2002	Thomure et al.	43/15
6,684,555	B1 *	2/2004	Vela	43/15
6,772,551	B1 *	8/2004	Bielinski et al.	43/15
7,152,360	B1 *	12/2006	Neufeld	43/15
7,503,140	B2 *	3/2009	Polzin	43/15

* cited by examiner

Primary Examiner—Catherine R Oliver

(74) *Attorney, Agent, or Firm*—Charlette M. Crissman; Klein, DeNatale, Goldner, Cooper, et al.

(57) **CLAIM**

The ornamental design for a fishing pole hook setting device, as shown and described.

DESCRIPTION

FIG. 1 is a top plan view of the fishing pole hook setting device showing the new design;

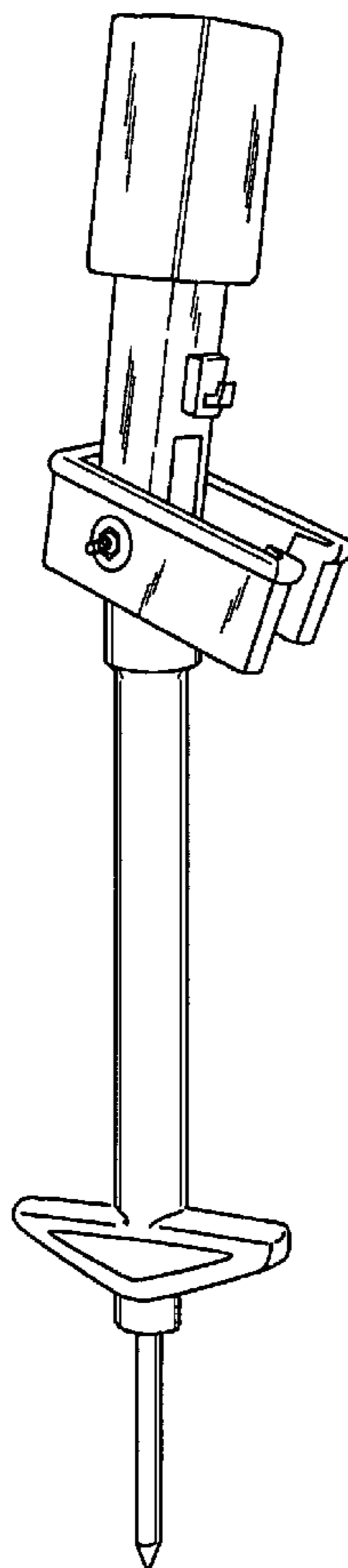
FIG. 2 is a front view of the fishing pole hook setting device;

FIG. 3 is a left side view of the fishing pole hook setting device, wherein a fishing pole is shown in broken lines as placed within the device. The right side view is a mirror image of the left side; and,

FIG. 4 is a perspective view of the fishing pole hook setting device.

The broken line illustration of environmental structure in the drawings is not part of the design sought to be patented. The bottom view is not claimed as an ornamental design of the disclose design.

1 Claim, 4 Drawing Sheets



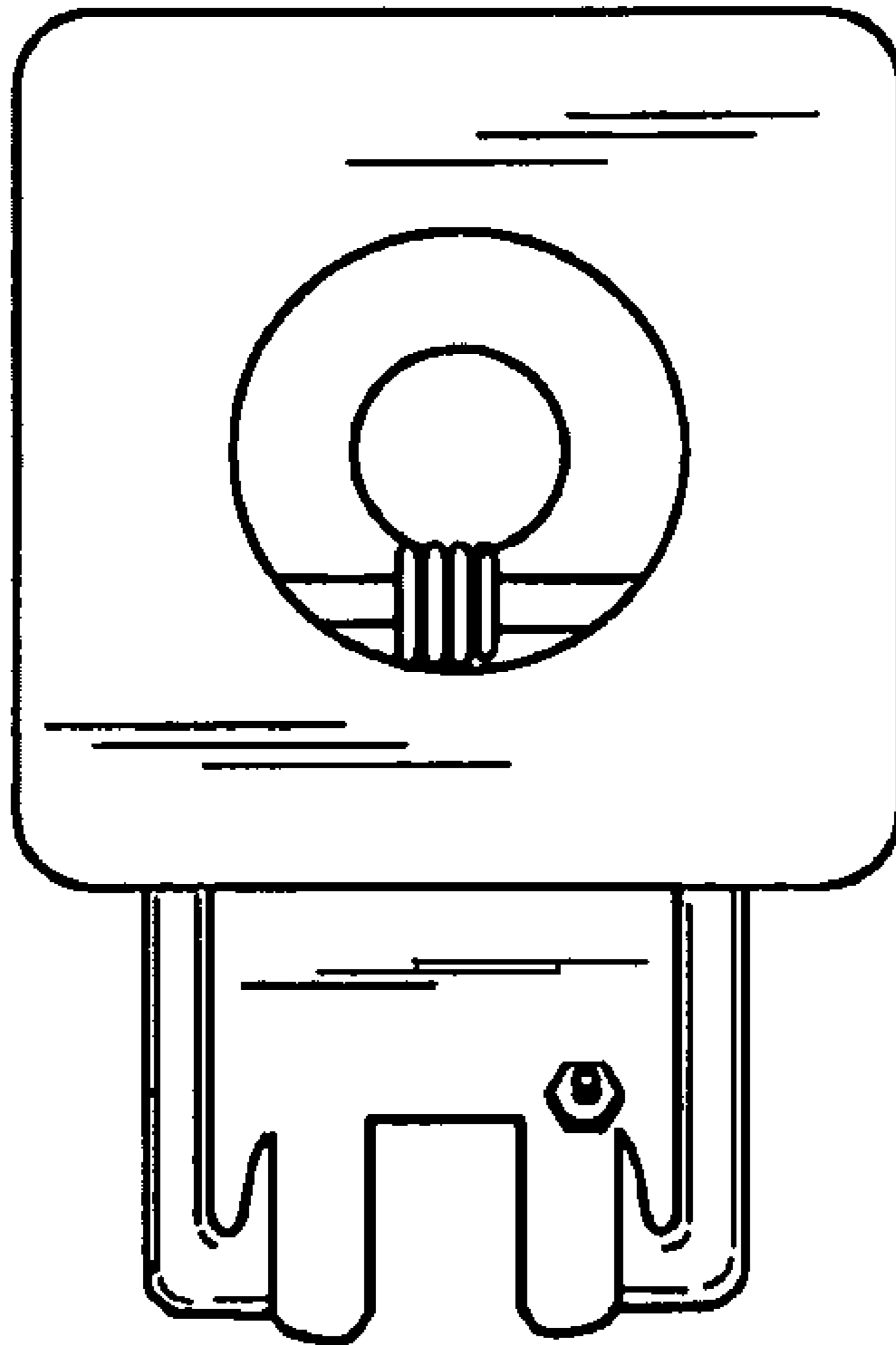


Fig. 1

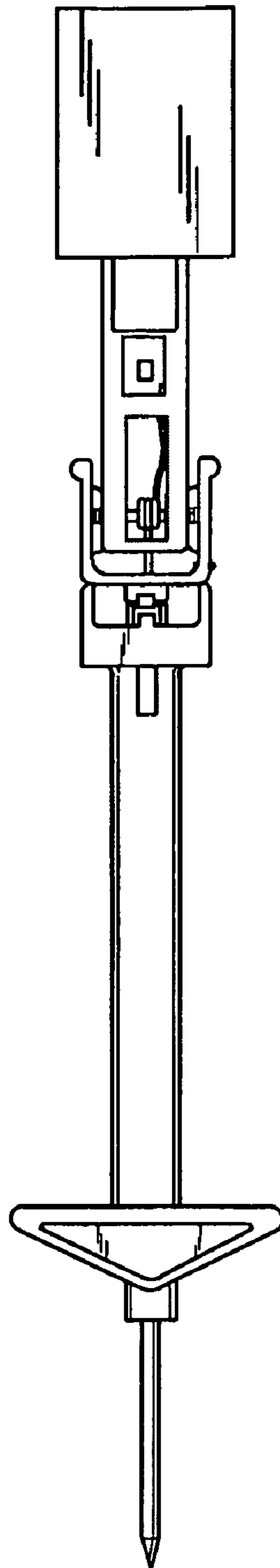


Fig. 2

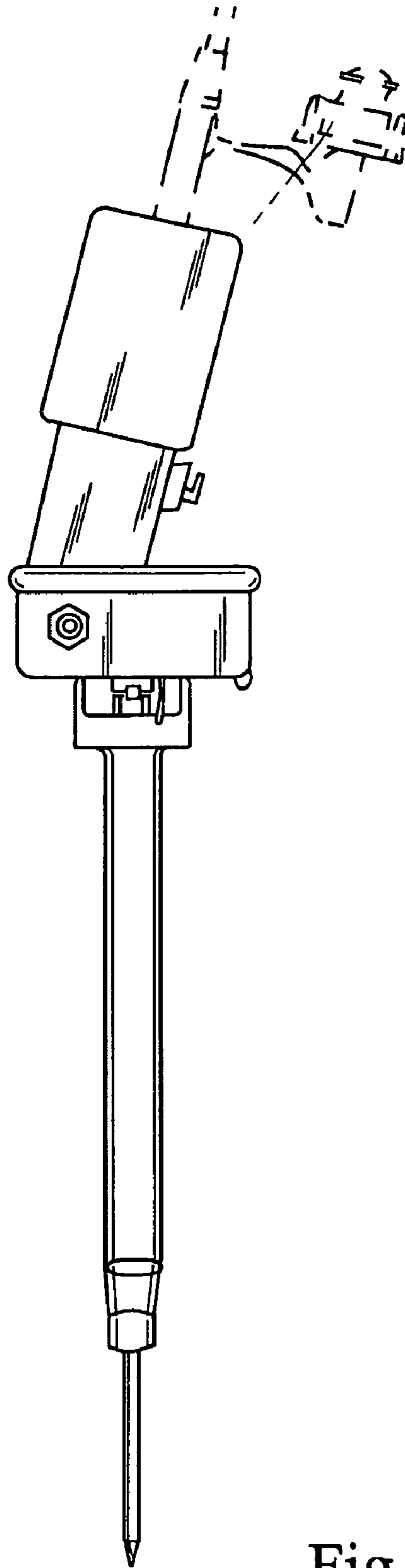


Fig. 3

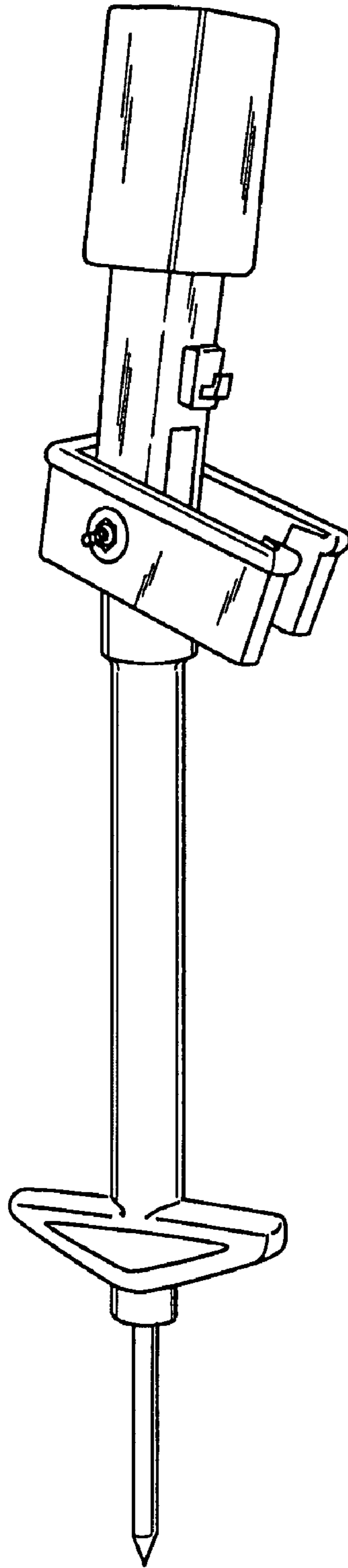


Fig. 4