



US00D601654S

(12) **United States Design Patent**
Sykes

(10) **Patent No.:** **US D601,654 S**

(45) **Date of Patent:** **** Oct. 6, 2009**

(54) **SALTWATER BAIT TRAY**

(76) Inventor: **Daniel Keith Sykes**, 7605 Sandy Lake Ct., Raleigh, NC (US) 27613

(**) Term: **14 Years**

(21) Appl. No.: **29/317,888**

(22) Filed: **May 8, 2008**

(51) **LOC (9) Cl.** **22-05**

(52) **U.S. Cl.** **D22/136**

(58) **Field of Classification Search** D22/134-136,
D22/199; 224/920, 269; D3/260, 904-905;
43/54.1, 55, 44.2, 44.99; 206/315.11, 315.1

See application file for complete search history.

(56) **References Cited**

U.S. PATENT DOCUMENTS

D326,893	S	*	6/1992	Kolesar	D22/136
D355,760	S	*	2/1995	Sanfilippo	D3/260
5,931,019	A		8/1999	White et al.	62/457.7
6,237,765	B1	*	5/2001	Hagen et al.	206/315.11
D518,551	S	*	4/2006	Moren	D22/136

OTHER PUBLICATIONS

“Bait Trays for Igloo Coolers”, 3 pgs, as printed from http://www.altackle.com/tgm_bait_tray.htm on Apr. 22, 2008.

“Carolina Bait Tray Bait Tray Coolers”, 2 pgs, as printed from <http://www.boatersworld.com/product/471570044msk.htm> on Apr. 22, 2008.

“Bait coolers for Hoos”, Sport Fishing Forum, 10 pgs, as printed from <http://www.sportfishermen.com/board/fl86/bait-coolers-hoos-34114.html> on Apr. 22, 2008.

“Bait Trays”, 2 pgs, as printed from <http://www.westmarine.com/webapp/wcs/stores/servlet/producte/10001/-1/10001/268780?...> on Apr. 22, 2008.

“The Bait Tray System”, Photo Gallery Pages from Pro Coolers, Inc., 18 pgs, as printed from <http://procoolers.com> on May 6, 2008.

* cited by examiner

Primary Examiner—Catherine R Oliver

(74) *Attorney, Agent, or Firm*—The Eclipse Group LLP; Kevin E. Flynn

(57) **CLAIM**

The ornamental design for a saltwater bait tray, as shown and described.

DESCRIPTION

FIG. 1 is a top and side perspective view.

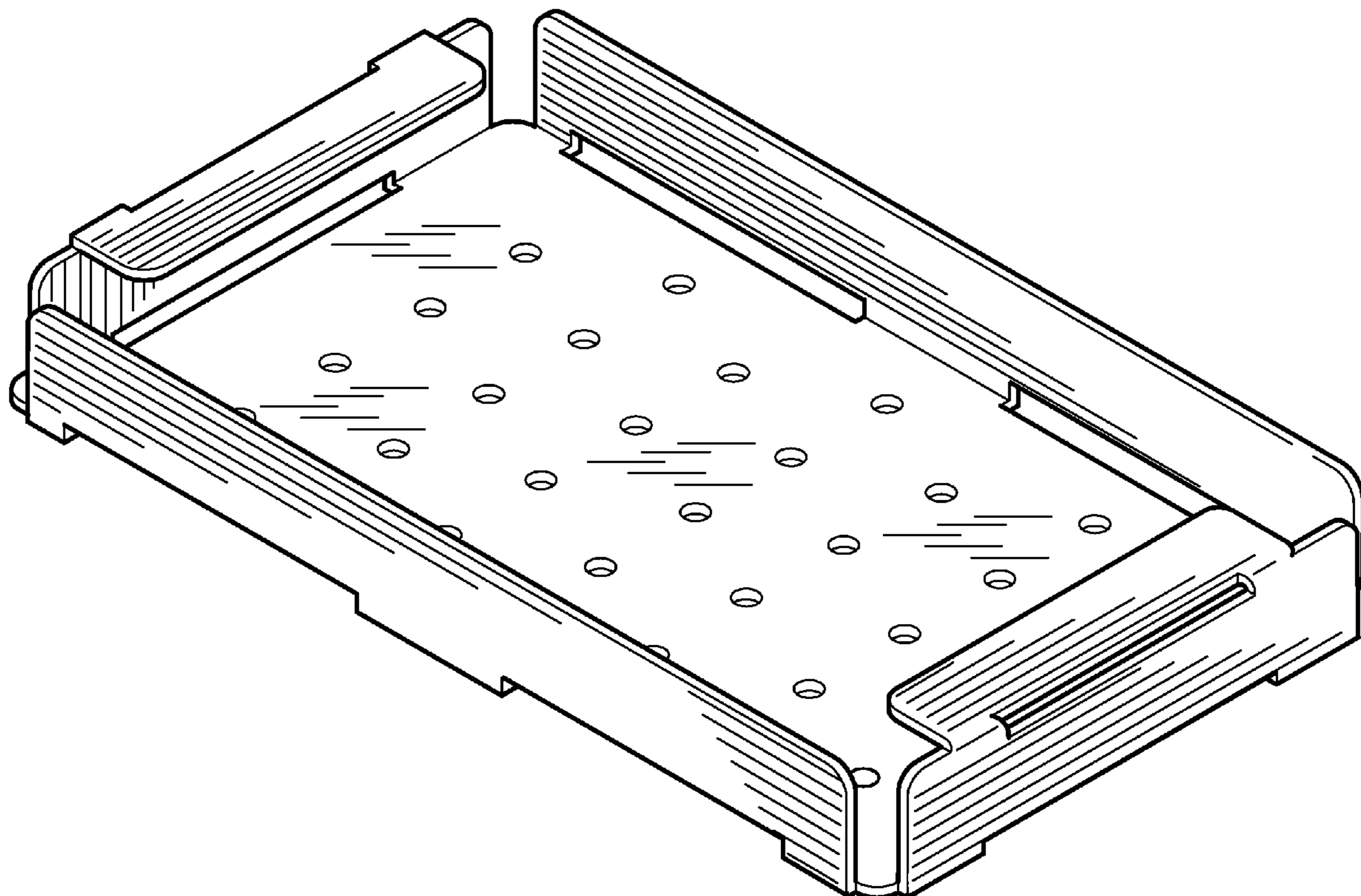
FIG. 2 is a side elevation view, with the opposite side elevation view being a mirror image thereof;

FIG. 3 is a front elevation view, with the opposite side elevation view being a mirror image thereof;

FIG. 4 is a top plan view; and,

FIG. 5 is a bottom plan view.

1 Claim, 3 Drawing Sheets



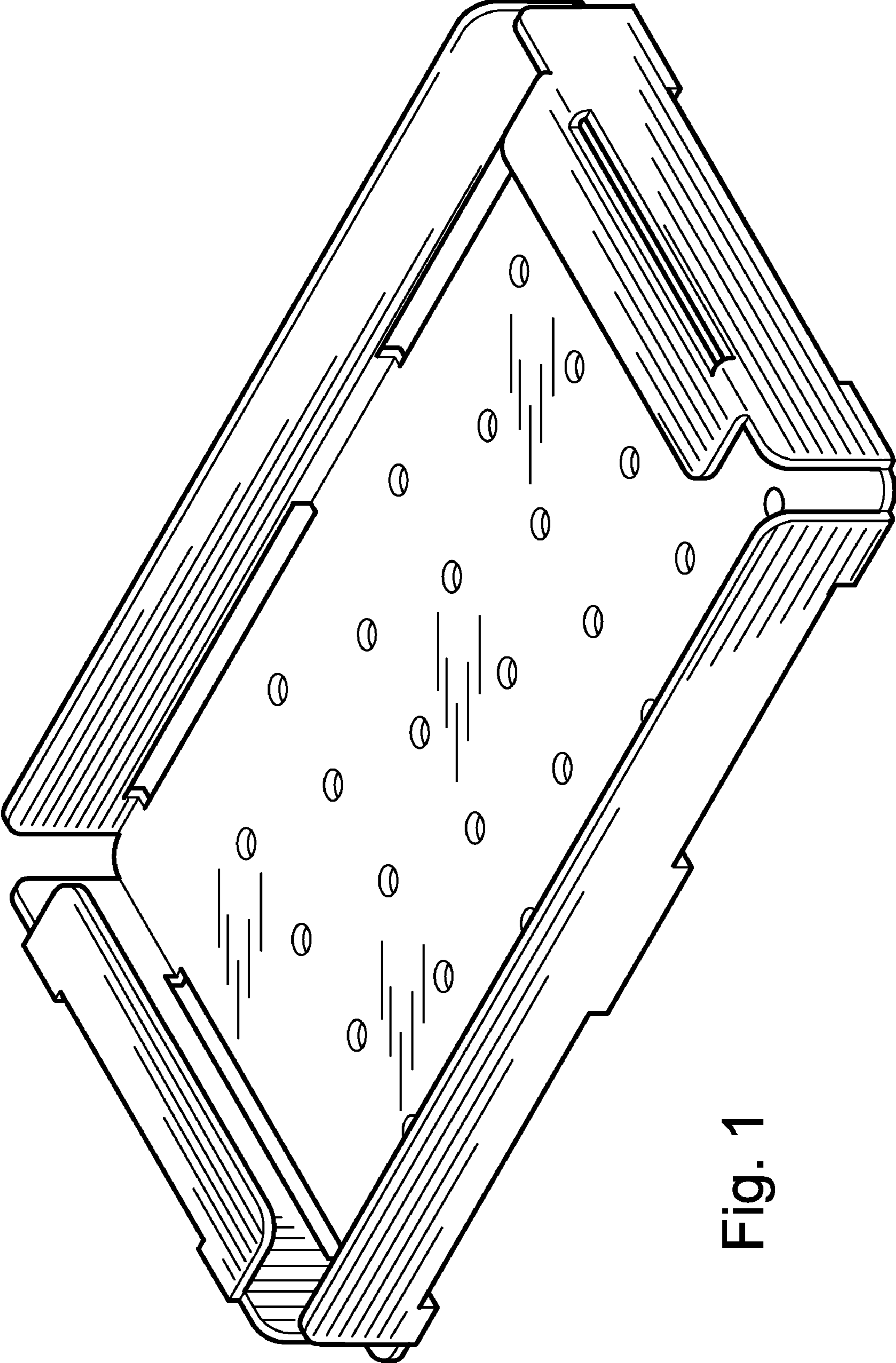


Fig. 1

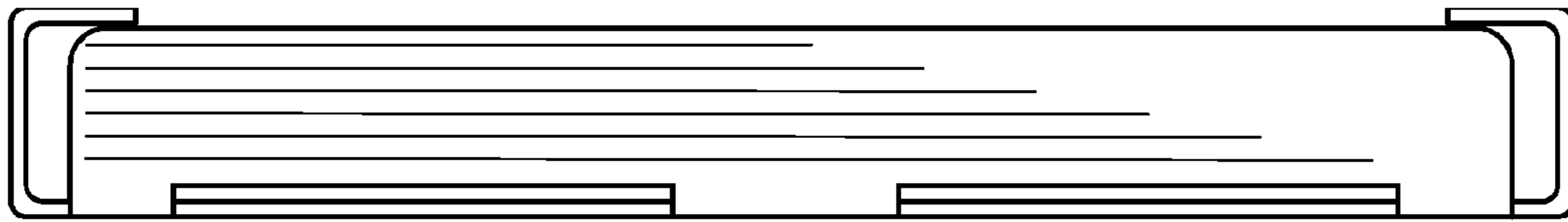


Fig. 2

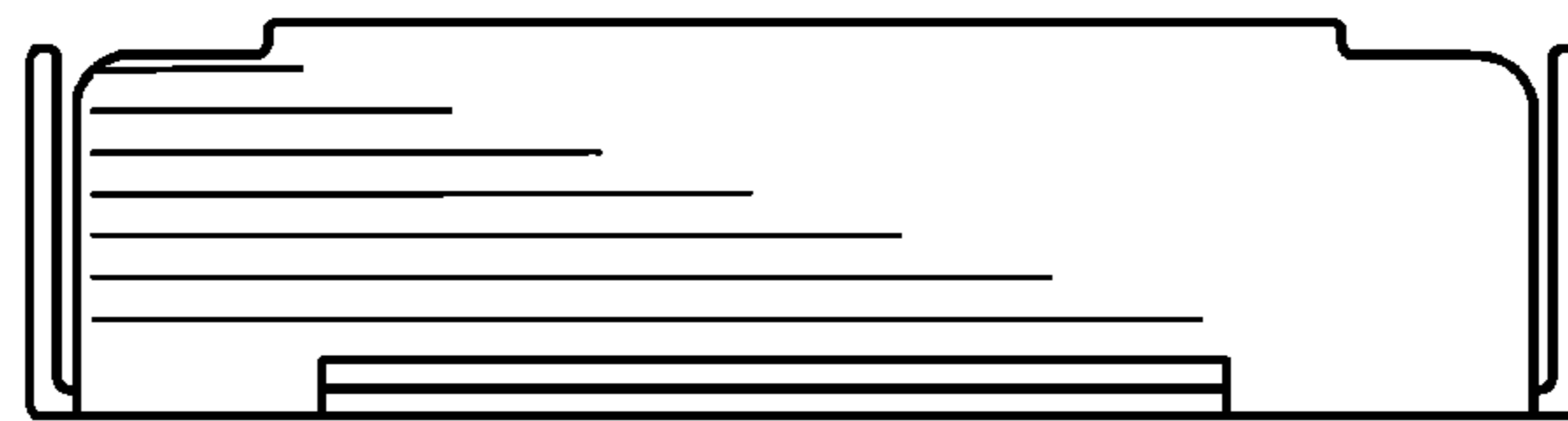


Fig. 3

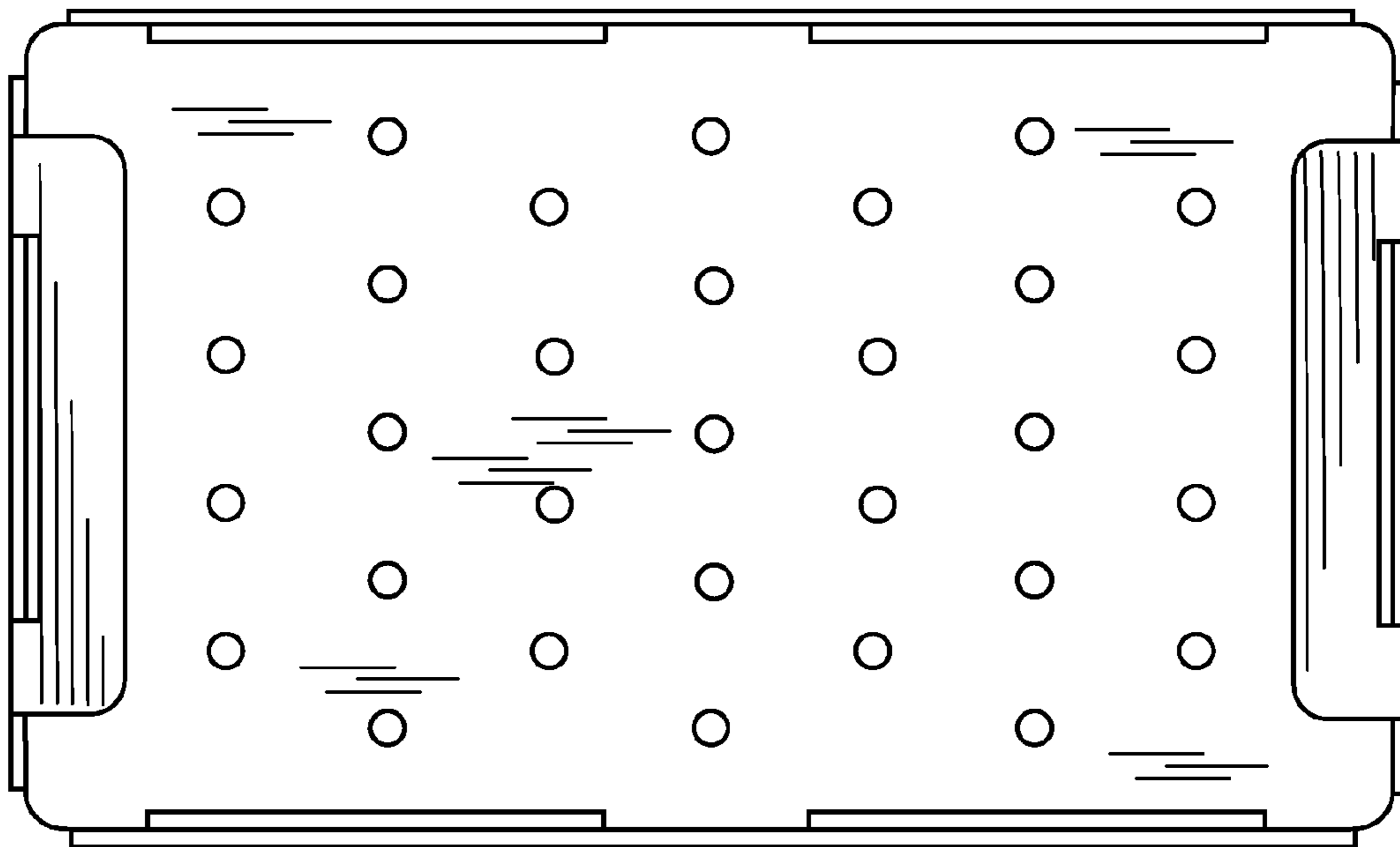


Fig. 4

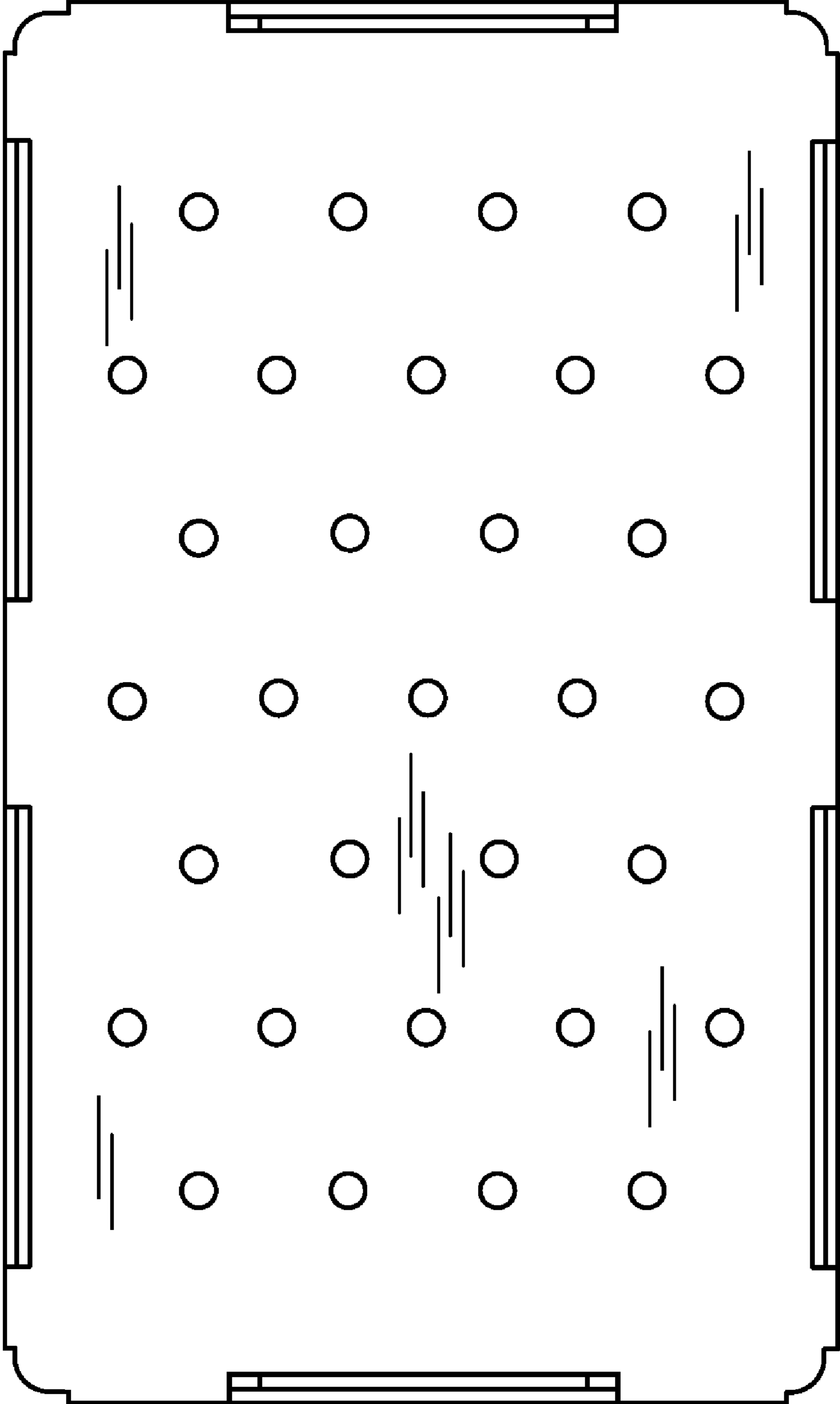


Fig. 5