



US00D601652S

(12) **United States Design Patent**
Meirs

(10) **Patent No.:** **US D601,652 S**

(45) **Date of Patent:** **** Oct. 6, 2009**

(54) **GOLF CLUB TARGETING AID**

(76) Inventor: **William Meirs**, 1400 3rd Ave. South,
Escanaba, MI (US) 49829

(**) Term: **14 Years**

(21) Appl. No.: **29/330,105**

(22) Filed: **Dec. 29, 2008**

(51) **LOC (9) Cl.** **21-02**

(52) **U.S. Cl.** **D21/791**

(58) **Field of Classification Search** D21/789,
D21/791; 473/206, 219, 223, 226, 251, 257
See application file for complete search history.

(56) **References Cited**

U.S. PATENT DOCUMENTS

D308,998 S *	7/1990	Cates	D21/759
D490,133 S *	5/2004	Hadala	D21/791
D538,873 S *	3/2007	Officer	D21/791
D548,809 S *	8/2007	Walsh	D21/791
D581,005 S *	11/2008	Rush	D21/791

* cited by examiner

Primary Examiner—Mitchell I Siegel

(74) *Attorney, Agent, or Firm*—QuickPatents, Inc.; Kevin Prince

(57) **CLAIM**

I claim the ornamental design for a golf club targeting aid, as shown and described.

DESCRIPTION

FIG. 1 is a perspective view of a golf club targeting aid, showing my new design;

FIG. 2 is a front elevational view of the invention, the rear elevational view being a mirror image thereof;

FIG. 3 is a rear elevational view of the invention;

FIG. 4 is a left-side elevational view of the invention;

FIG. 5 is a right-side elevational view of the invention;

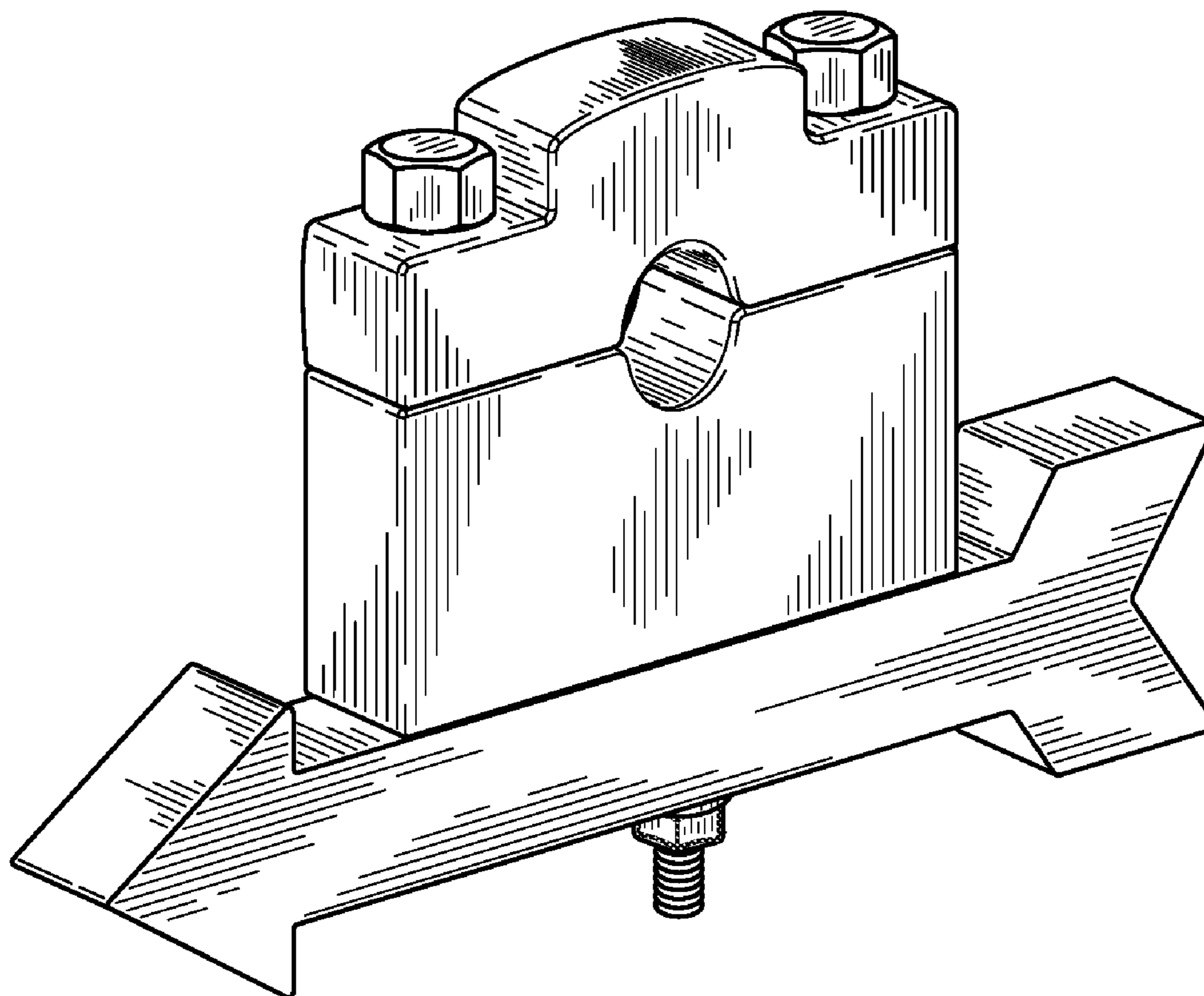
FIG. 5 is a top plan view of the invention;

FIG. 6 is a bottom plan view of the invention; and,

FIG. 7 is a perspective view of an alternate configuration of the invention.

The broken lines showing a golf club in FIG. 7 are included for the purpose of illustrating the invention in use, and form no part of the claimed design.

1 Claim, 3 Drawing Sheets



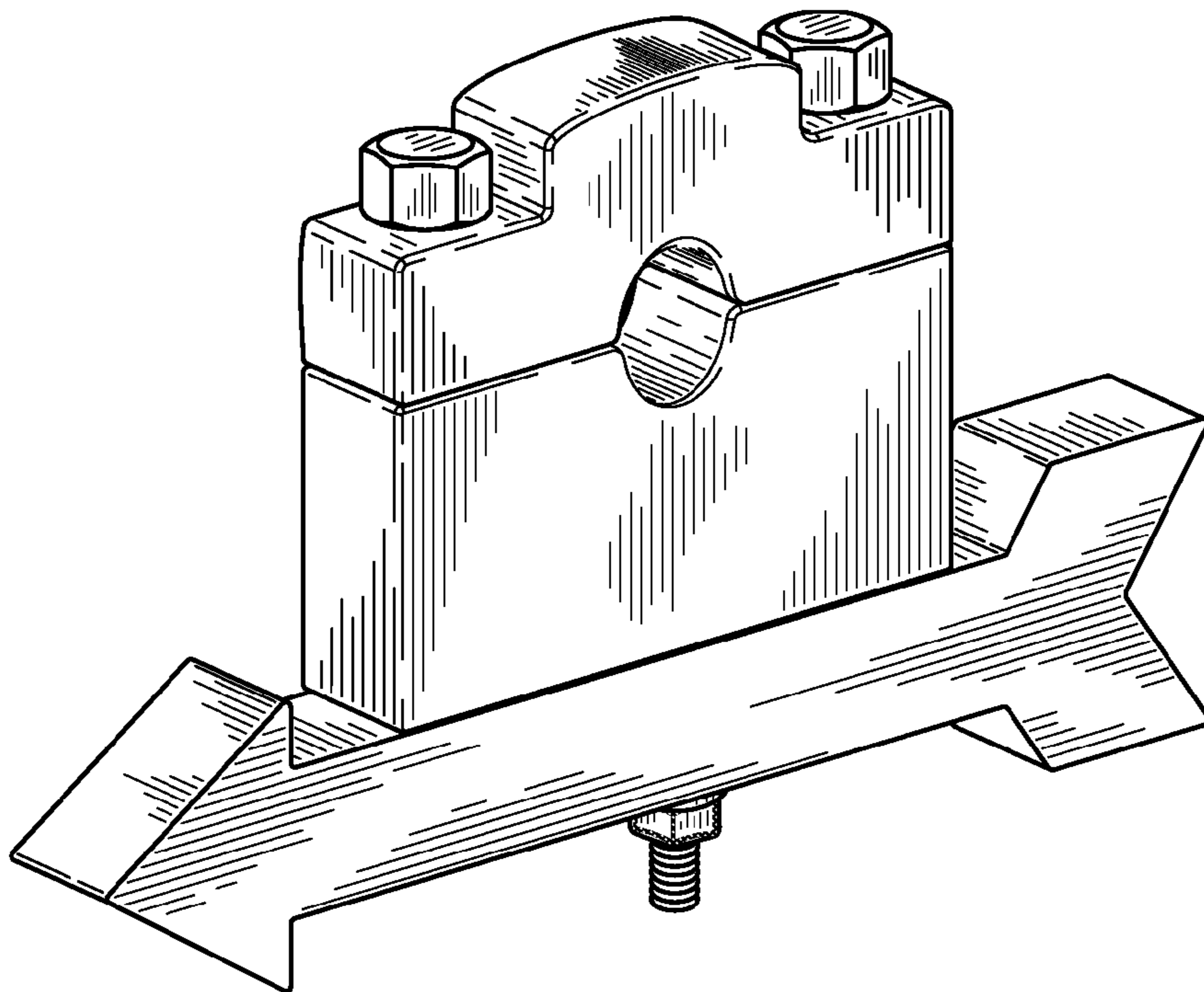


FIG. 1

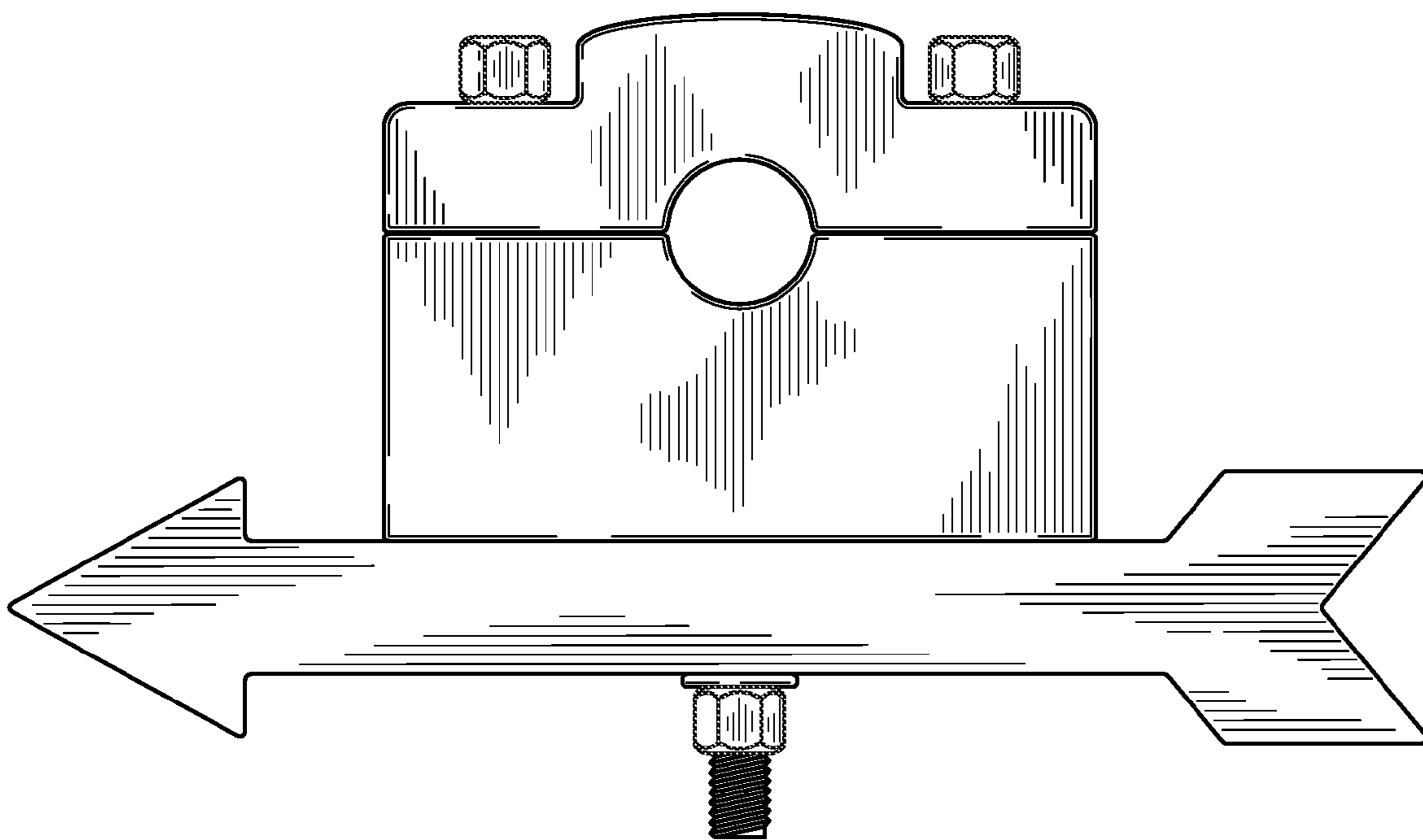


FIG. 2

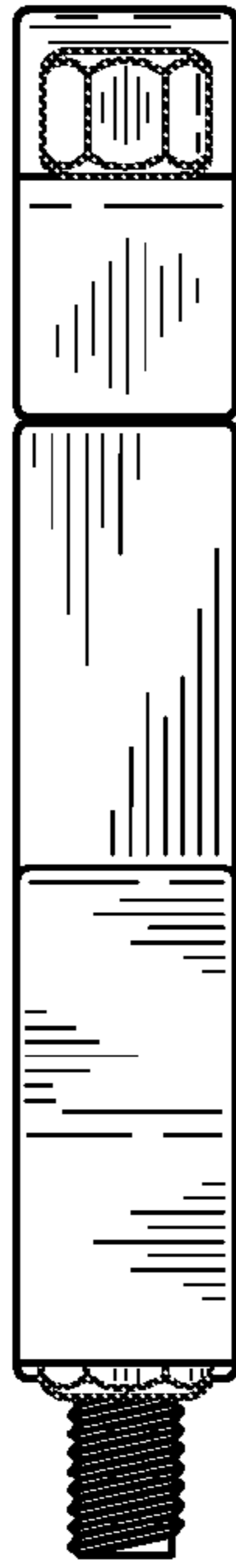


FIG. 3

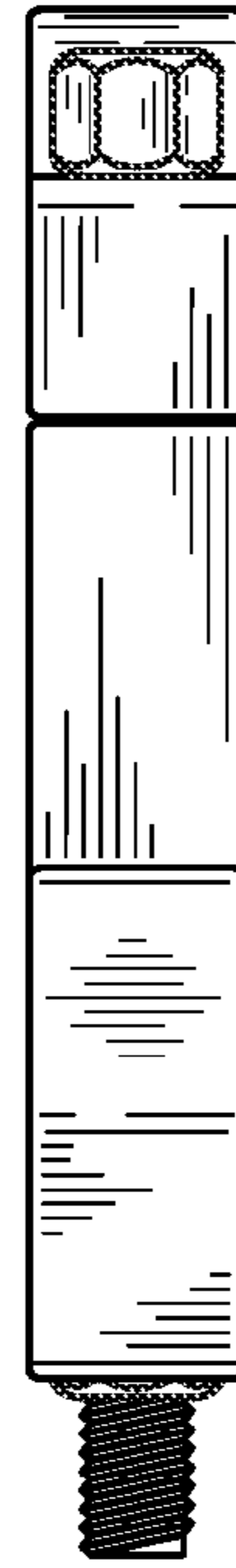


FIG. 4

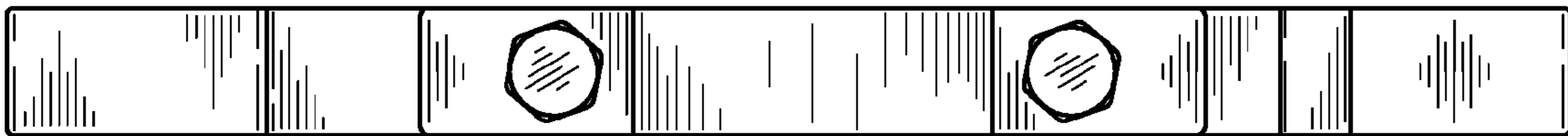


FIG. 5

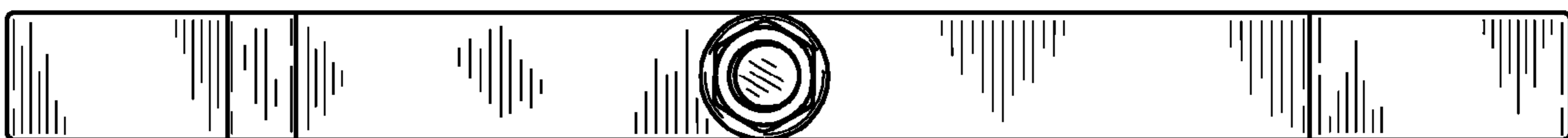


FIG. 6

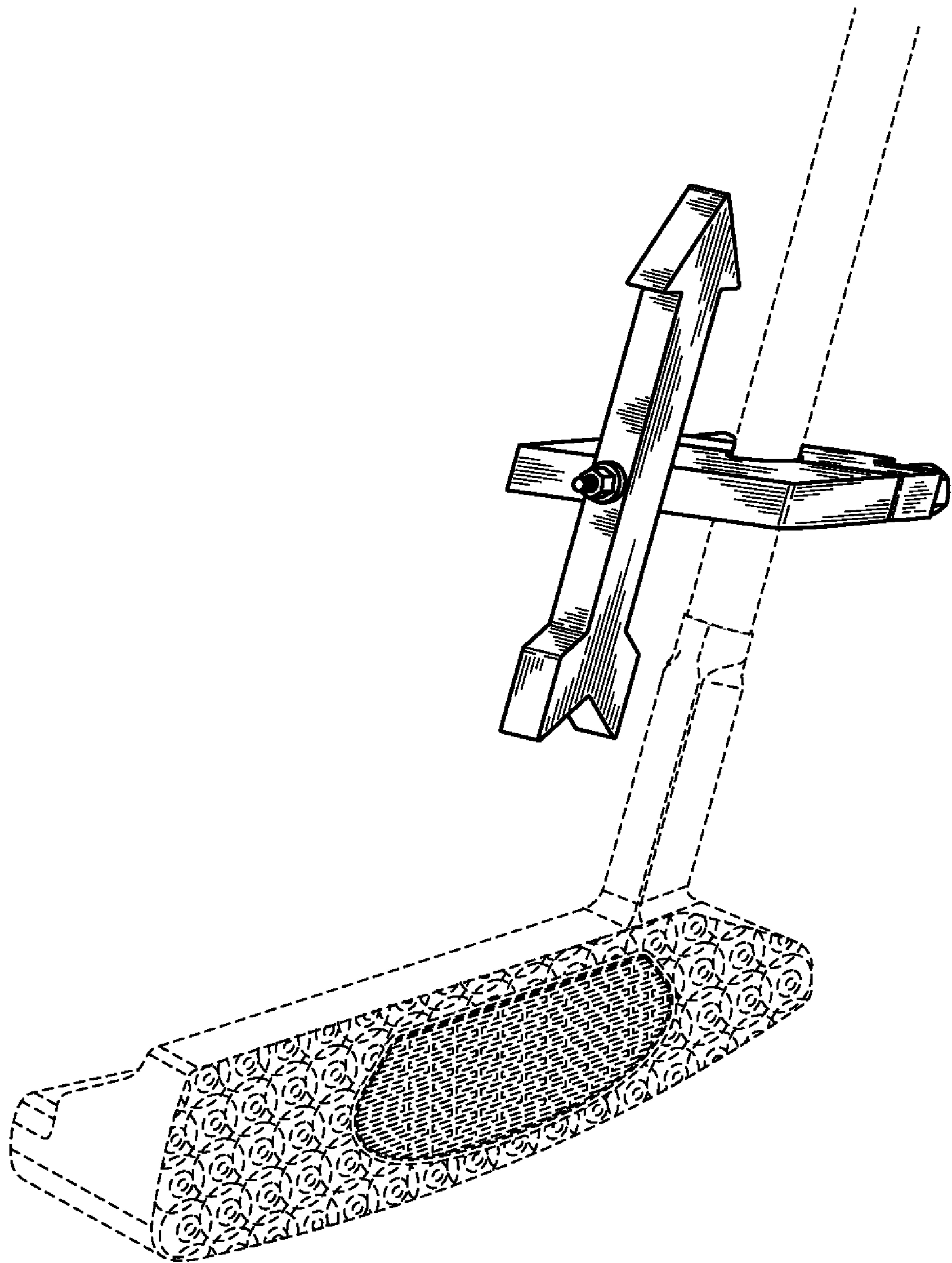


FIG. 7