



US00D601651S

(12) **United States Design Patent**
Jorgensen et al.

(10) **Patent No.:** **US D601,651 S**

(45) **Date of Patent:** **** Oct. 6, 2009**

(54) **IRON GOLF CLUB HEAD CAVITY**

(75) Inventors: **Douglas C. Jorgensen**, Carlsbad, CA (US); **Kongdach Sethapun**, Pasadena, CA (US); **Daniel Remington Vehse**, Carlsbad, CA (US); **John Wooster**, Winnetka, IL (US)

(73) Assignee: **Acushnet Company**, Fairhaven, MA (US)

(**) Term: **14 Years**

(21) Appl. No.: **29/329,785**

(22) Filed: **Dec. 22, 2008**

(51) **LOC (9) Cl.** **21-02**

(52) **U.S. Cl.** **D21/759**

(58) **Field of Classification Search** D21/747-751, D21/759; 473/324-331, 350

See application file for complete search history.

(56) **References Cited**

U.S. PATENT DOCUMENTS

D300,547 S 4/1989 Kobayashi
D501,035 S 1/2005 Wahl et al.
D517,626 S 3/2006 Gilbert et al.

D540,898 S 4/2007 Solheim et al.
D544,056 S 6/2007 Nicolette et al.
D556,848 S 12/2007 Ruggiero et al.
D579,996 S * 11/2008 Gilbert et al. D21/747
D581,000 S * 11/2008 Nicolette et al. D21/749

* cited by examiner

Primary Examiner—Mitchell I Siegel

(74) *Attorney, Agent, or Firm*—Kristin D. Wheeler

(57) **CLAIM**

The ornamental design for an iron golf club head cavity, as shown and described.

DESCRIPTION

FIG. 1 is a back heel perspective view of our new iron golf club head cavity;

FIG. 2 is a back view thereof;

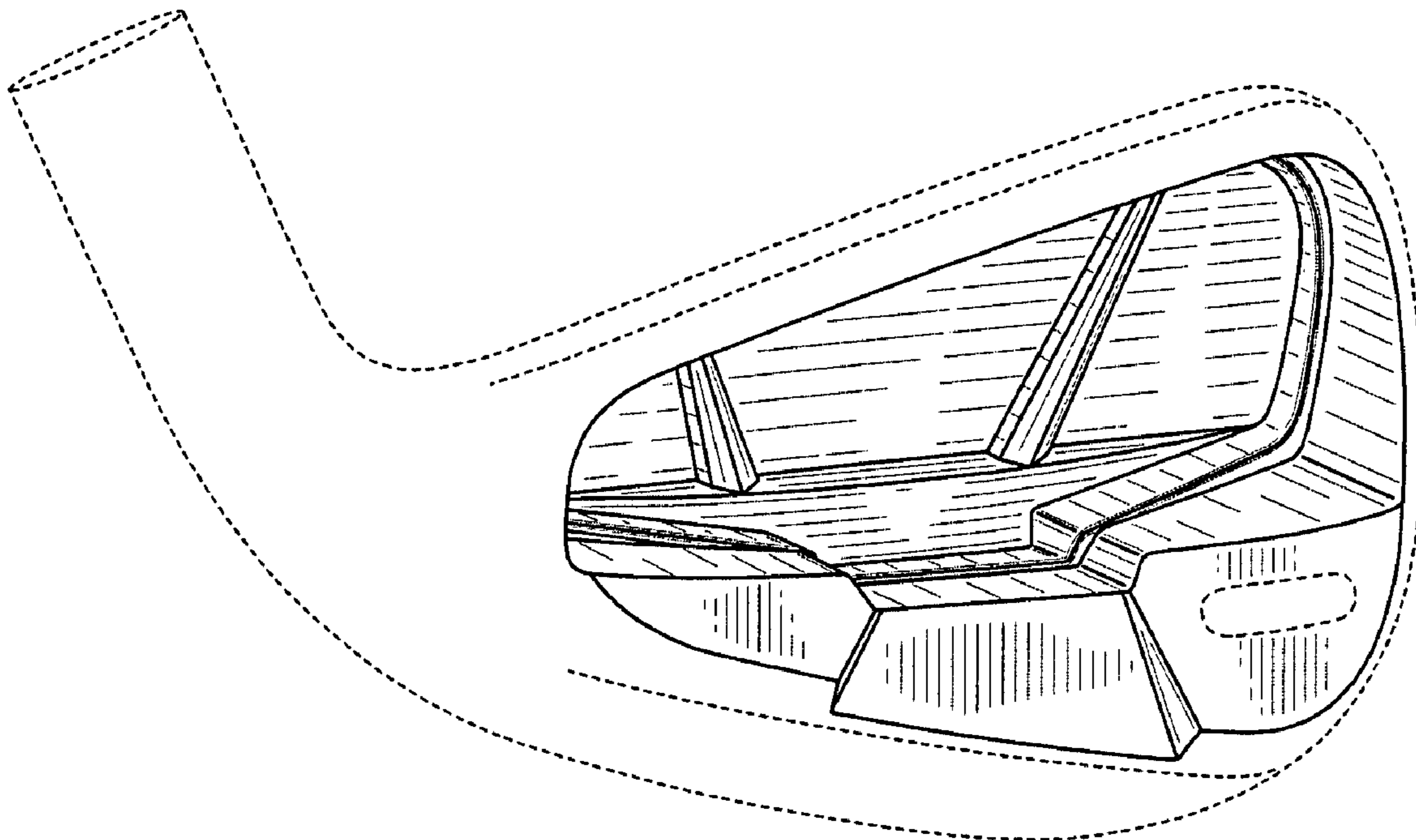
FIG. 3 is a bottom view thereof;

FIG. 4 is a heel side view thereof; and,

FIG. 5 is a toe side view thereof.

The portion of the iron shown in phantom does not form any portion of the present invention.

1 Claim, 2 Drawing Sheets



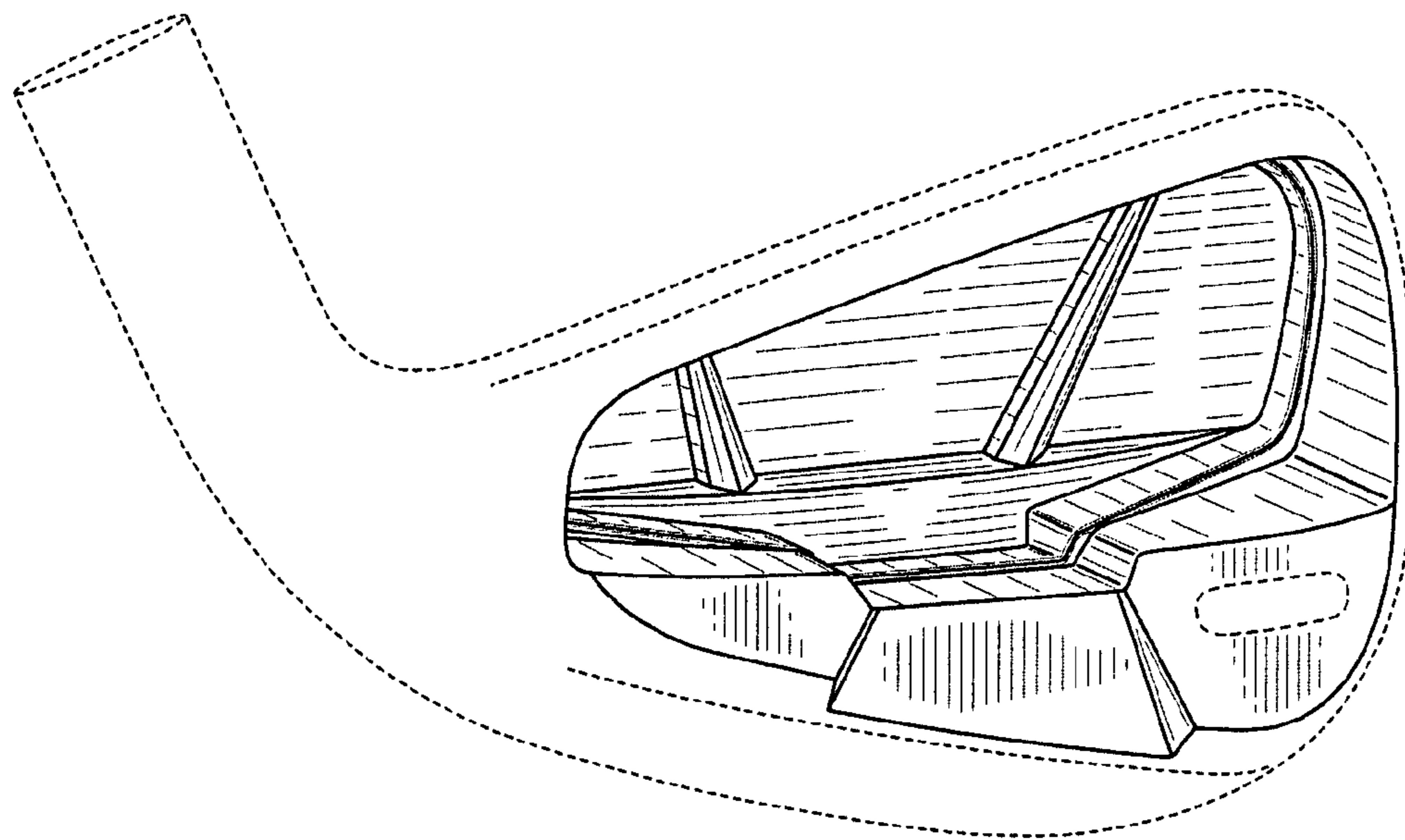


FIG. 1

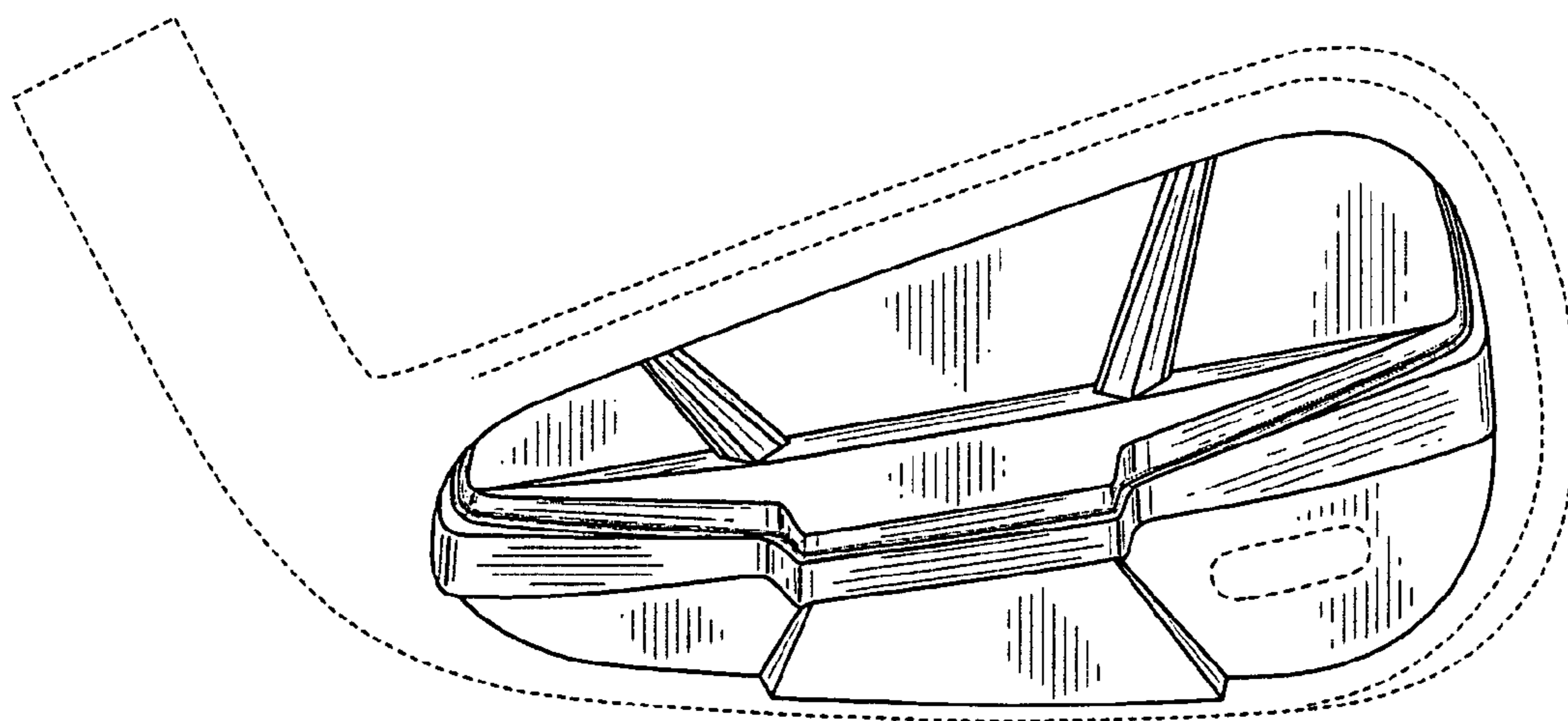


FIG. 2

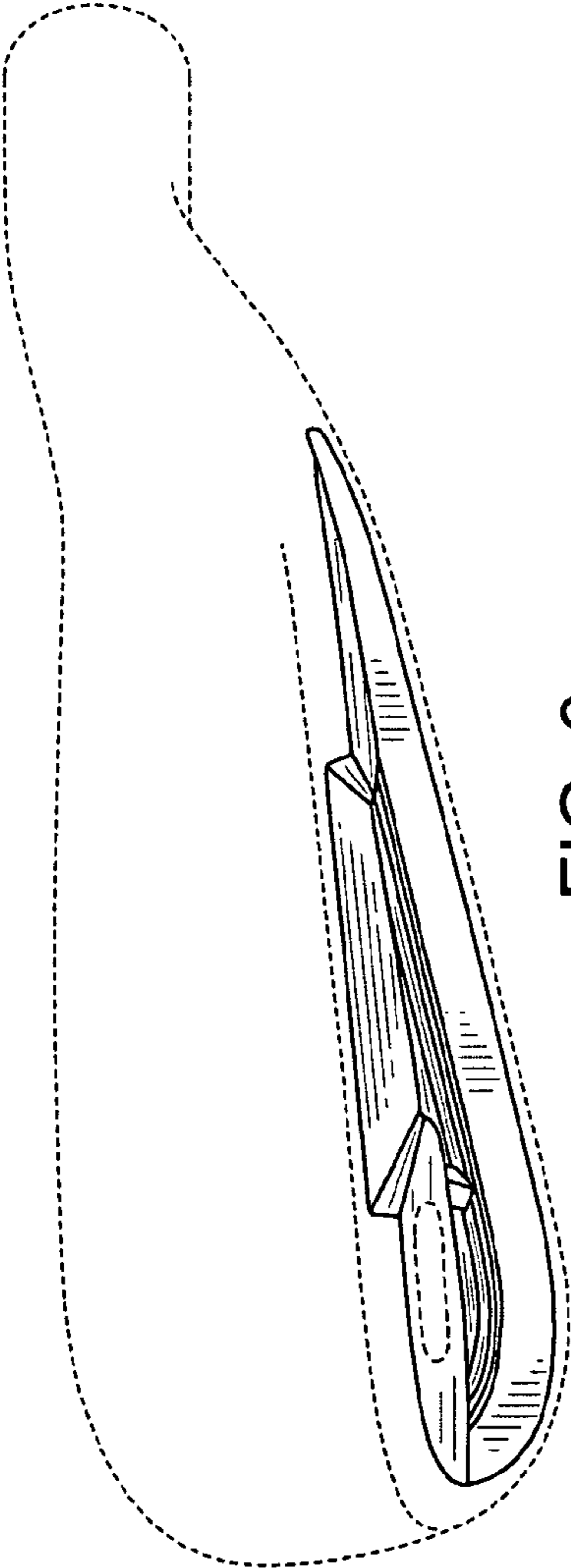


FIG. 3

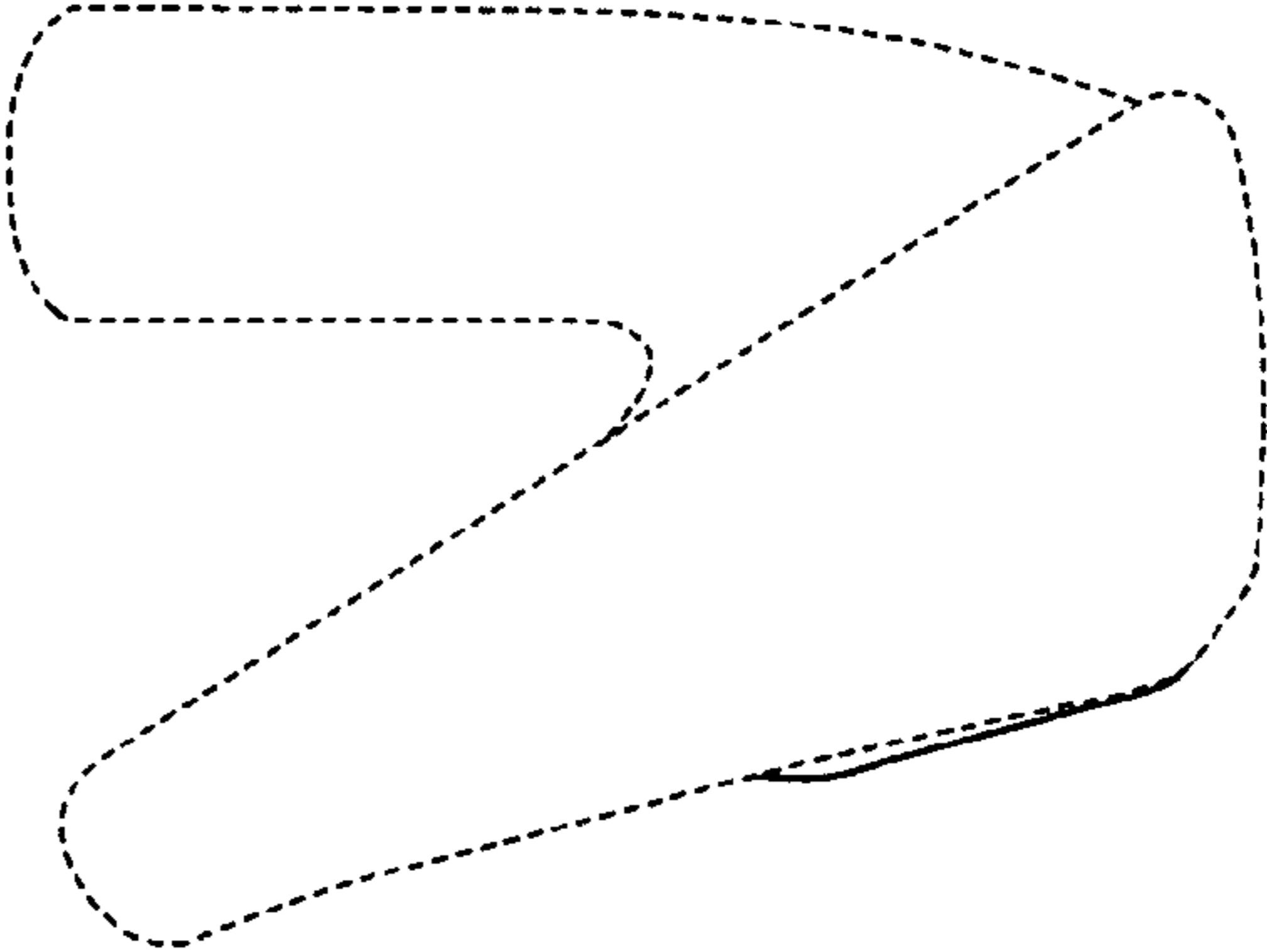


FIG. 5

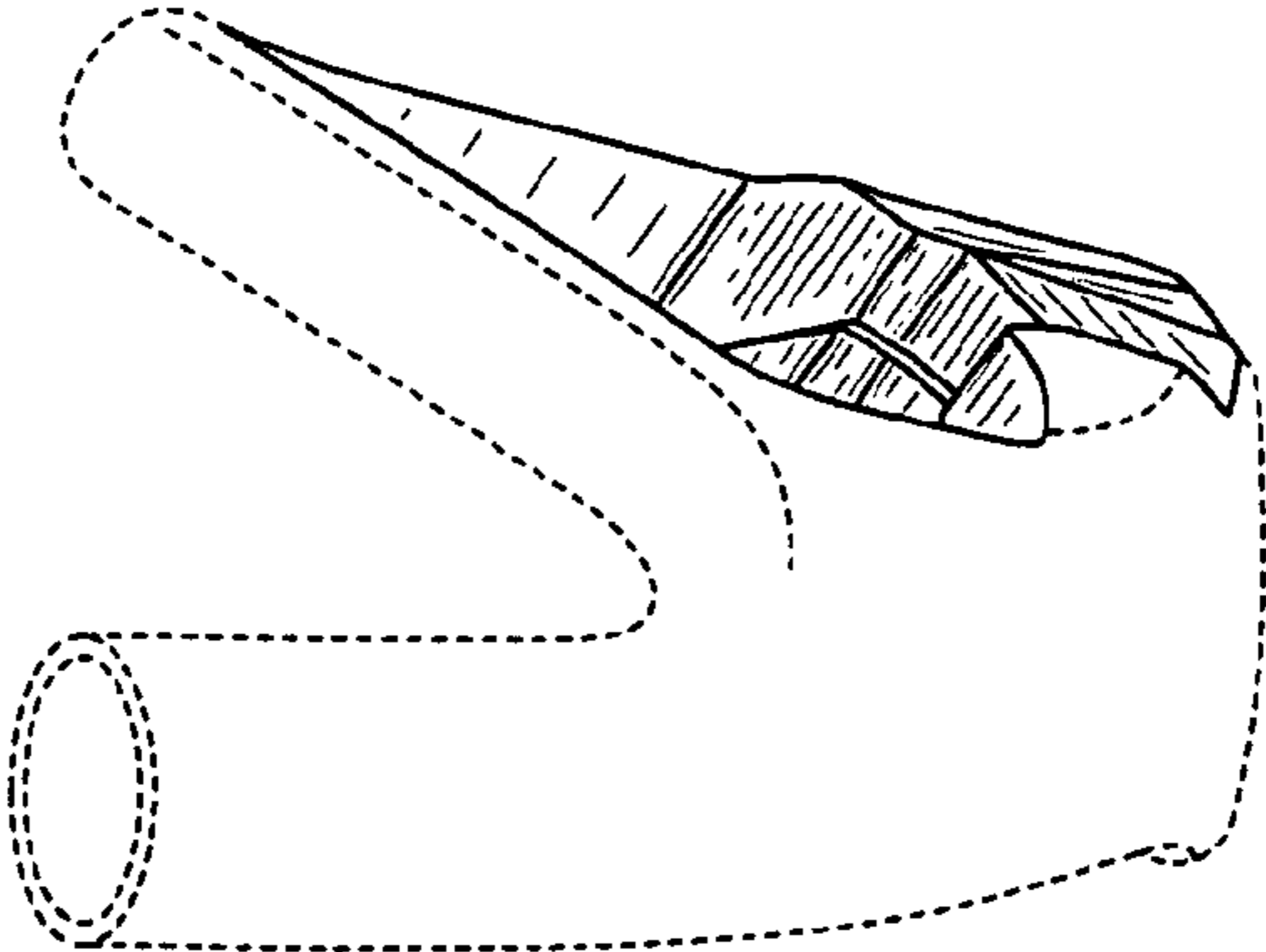


FIG. 4