



US00D601644S

(12) **United States Design Patent**
Kim

(10) **Patent No.:** **US D601,644 S**
(45) **Date of Patent:** **** Oct. 6, 2009**

(54) **CONSOLE FOR A TREADMILL**

(75) Inventor: **Gi Hong Kim**, Seoul (KR)

(73) Assignee: **Motus Co., Ltd.**, Goyang (KR)

(**) Term: **14 Years**

(21) Appl. No.: **29/325,556**

(22) Filed: **Oct. 2, 2008**

(51) **LOC (9) Cl.** **21-02**

(52) **U.S. Cl.** **D21/696**

(58) **Field of Classification Search** D21/662,
D21/663, 666, 668, 669, 670, 694, 696; 482/1,
482/3, 4, 51, 52, 54

See application file for complete search history.

(56) **References Cited**

U.S. PATENT DOCUMENTS

6,719,668	B1 *	4/2004	Huang	482/54
6,761,669	B1 *	7/2004	Pan et al.	482/54
6,783,482	B2 *	8/2004	Oglesby et al.	482/54
6,878,099	B2 *	4/2005	Corbalis et al.	482/54
6,878,101	B2 *	4/2005	Colley	482/54
D521,577	S *	5/2006	Wu	D21/669
D531,683	S *	11/2006	Choi et al.	D21/696

7,163,493	B1 *	1/2007	Kuo	482/54
7,179,204	B2 *	2/2007	Anderson et al.	482/54
7,537,549	B2 *	5/2009	Nelson et al.	482/54

* cited by examiner

Primary Examiner—Philip S Hyder

(74) *Attorney, Agent, or Firm*—Stein McEwen, LLP

(57) **CLAIM**

The ornamental design for a console for a treadmill, as shown.

DESCRIPTION

FIG. 1 is a perspective view of the console for a treadmill of the present invention;

FIG. 2 is a front elevation view thereof;

FIG. 3 is a rear elevation view thereof;

FIG. 4 is a left side elevation view thereof;

FIG. 5 is a right side elevation view thereof;

FIG. 6 is a top plan view thereof; and,

FIG. 7 is a bottom plan view thereof.

The broken lines shown in FIGS. 1–7 are for illustrative purposes only and form no part of the claimed design.

1 Claim, 7 Drawing Sheets

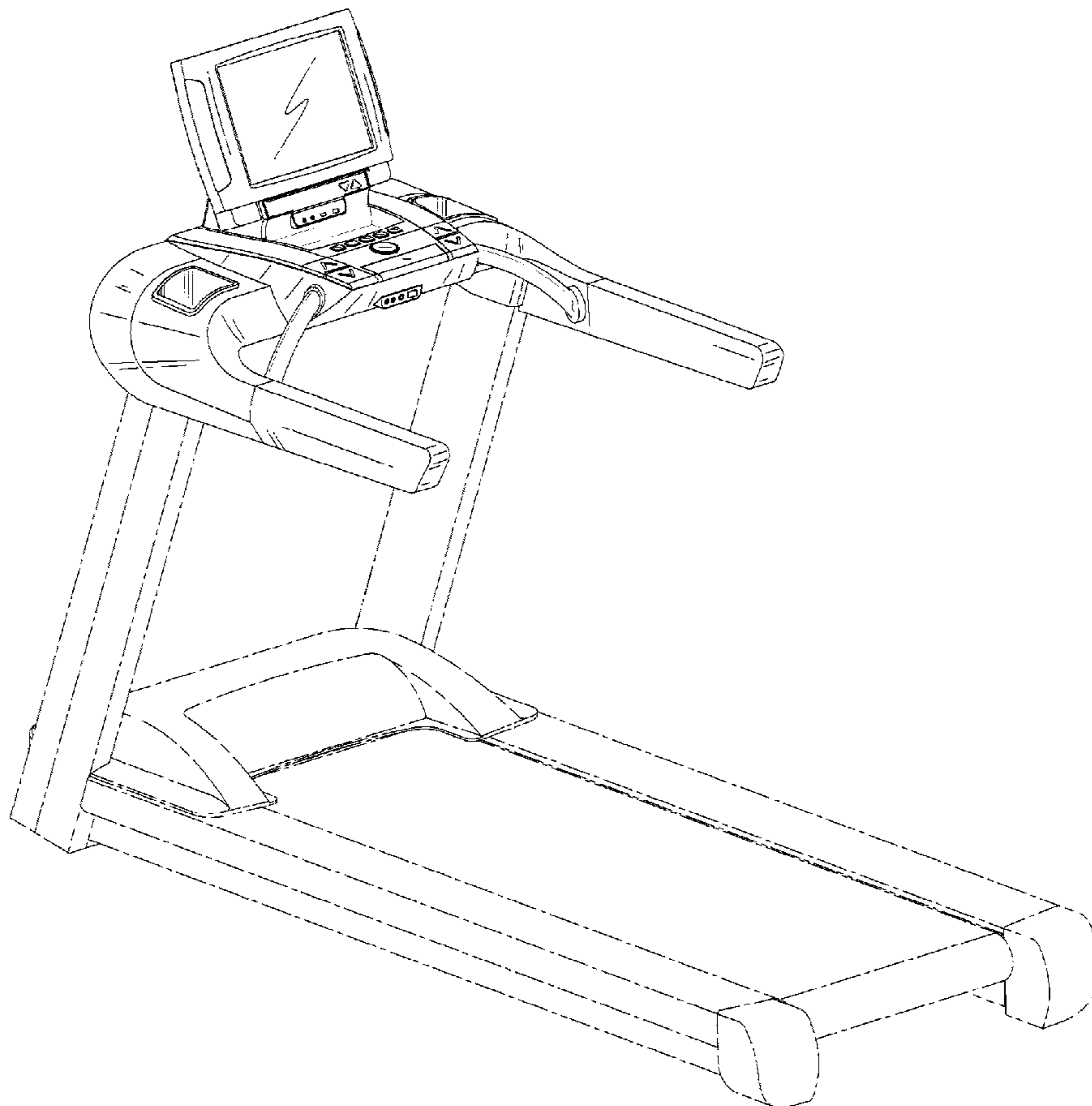


FIG. 1

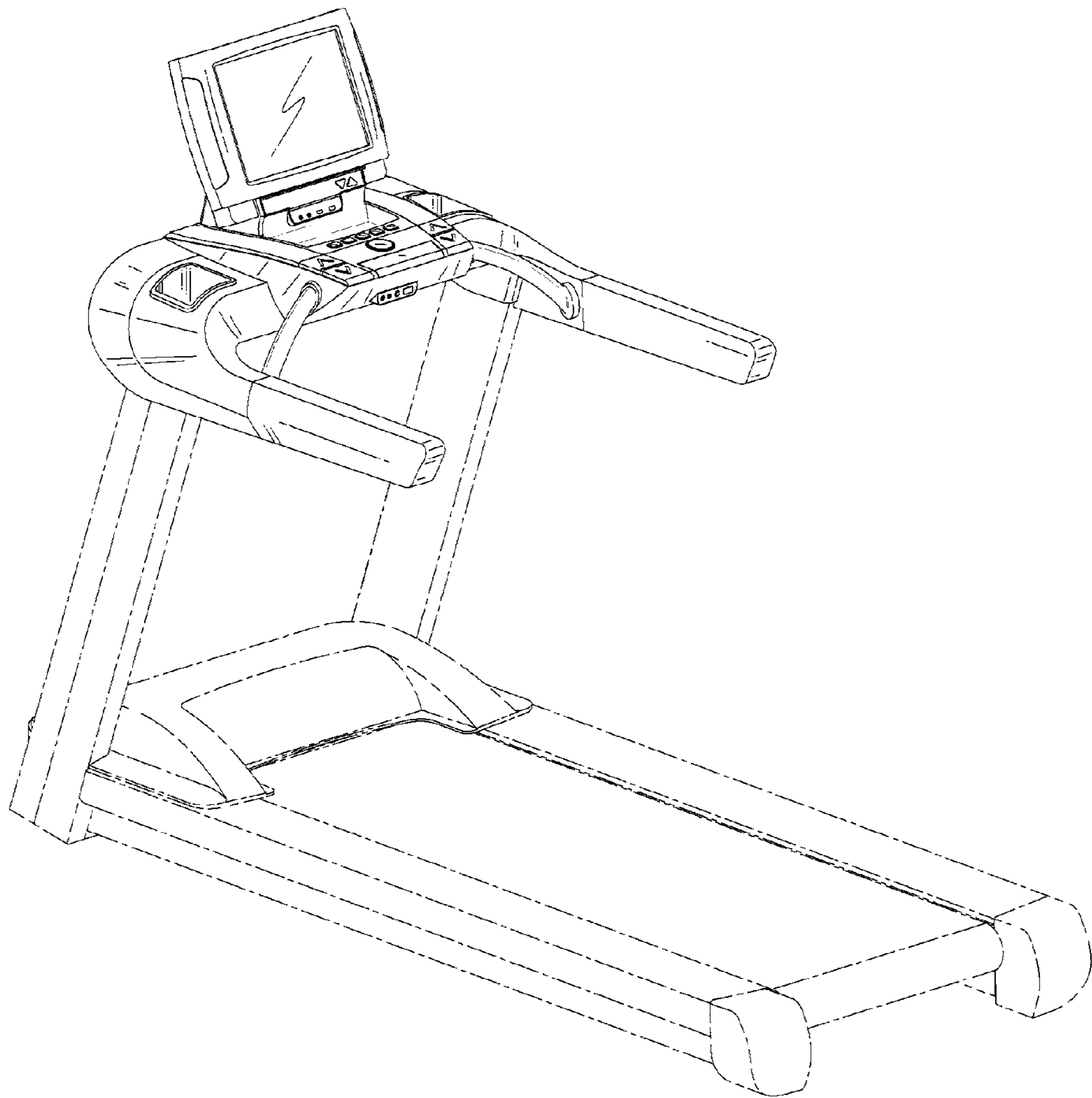


FIG. 2

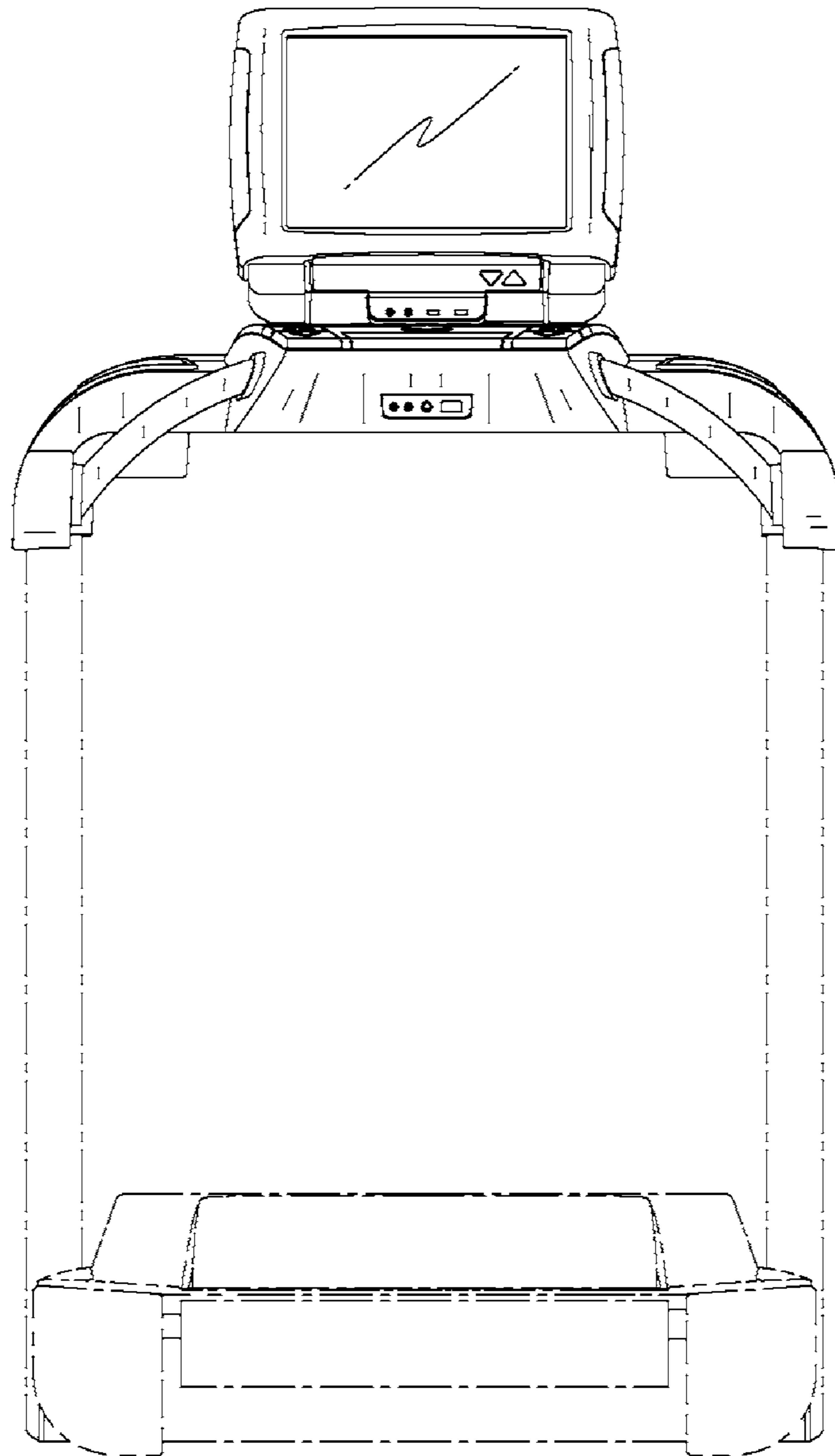


FIG. 3

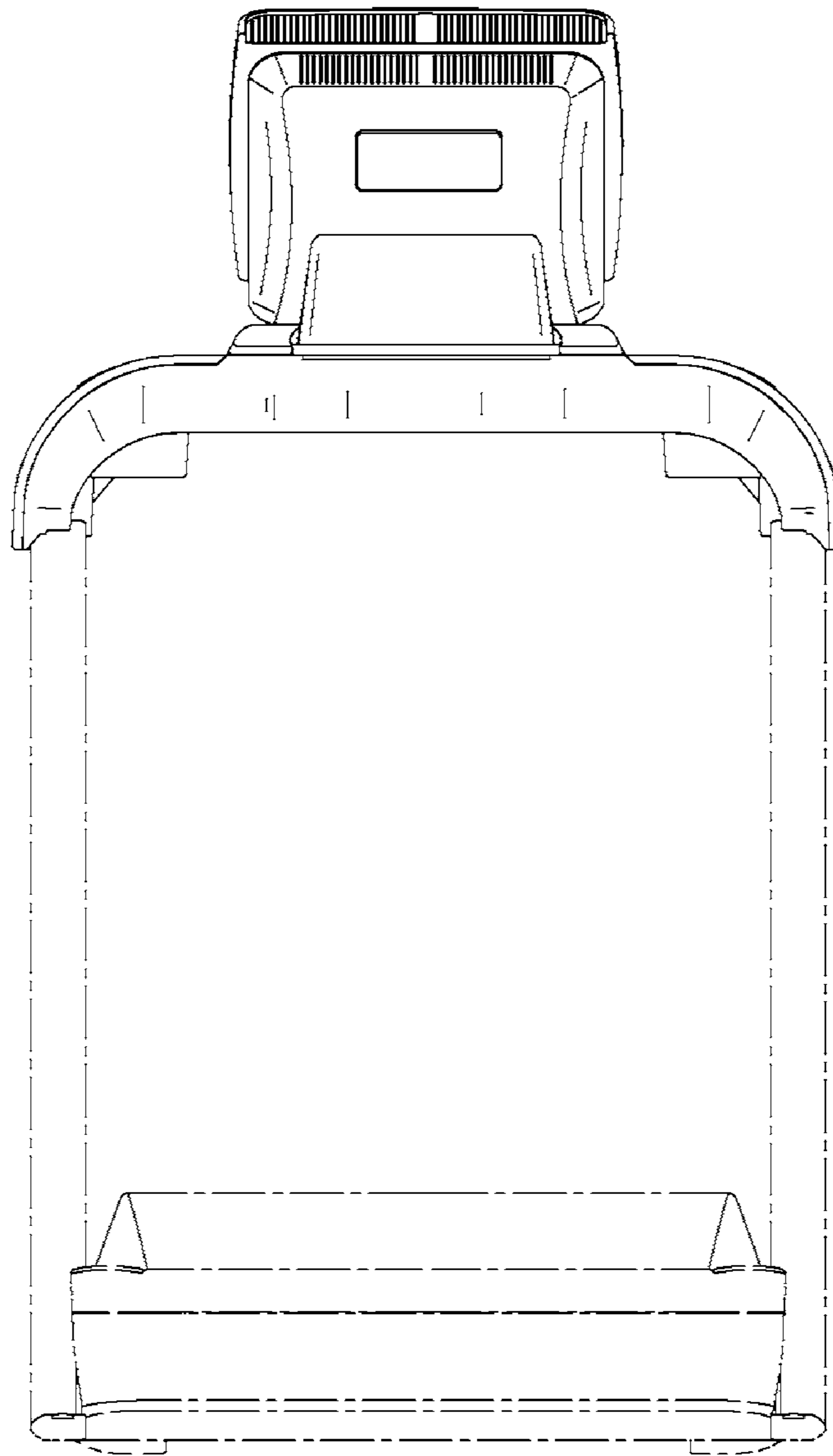


FIG. 4

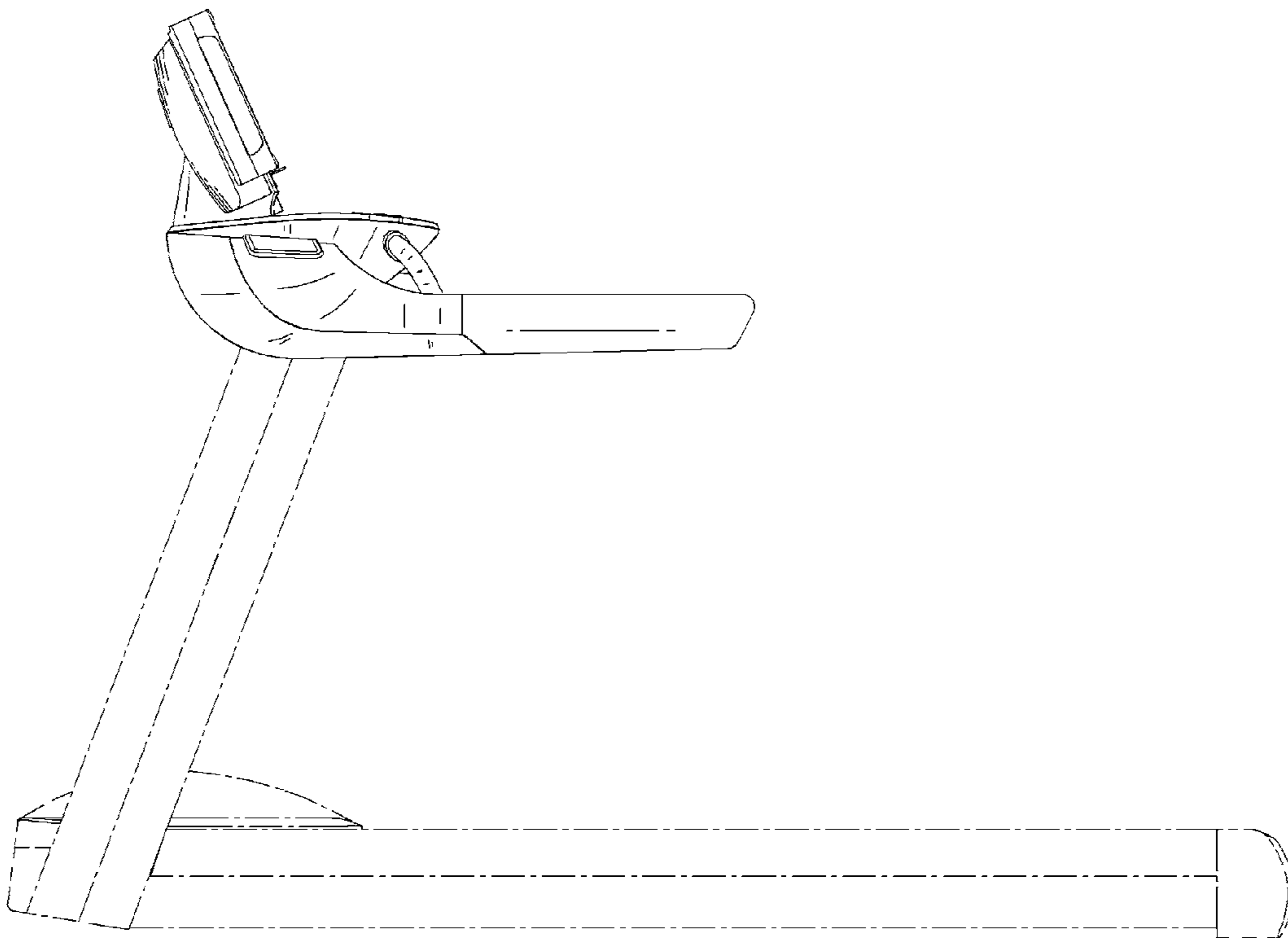


FIG. 5

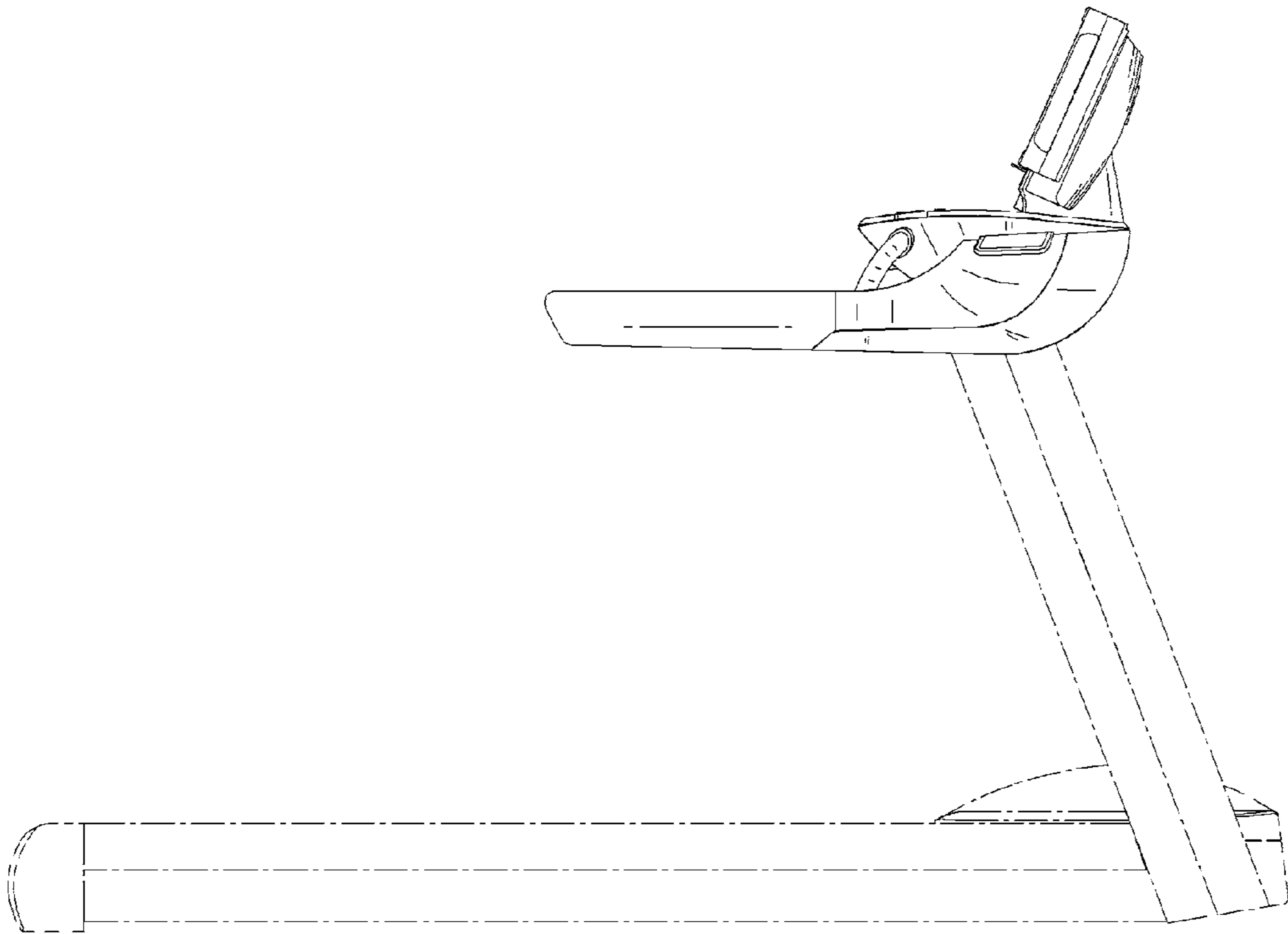


FIG. 6

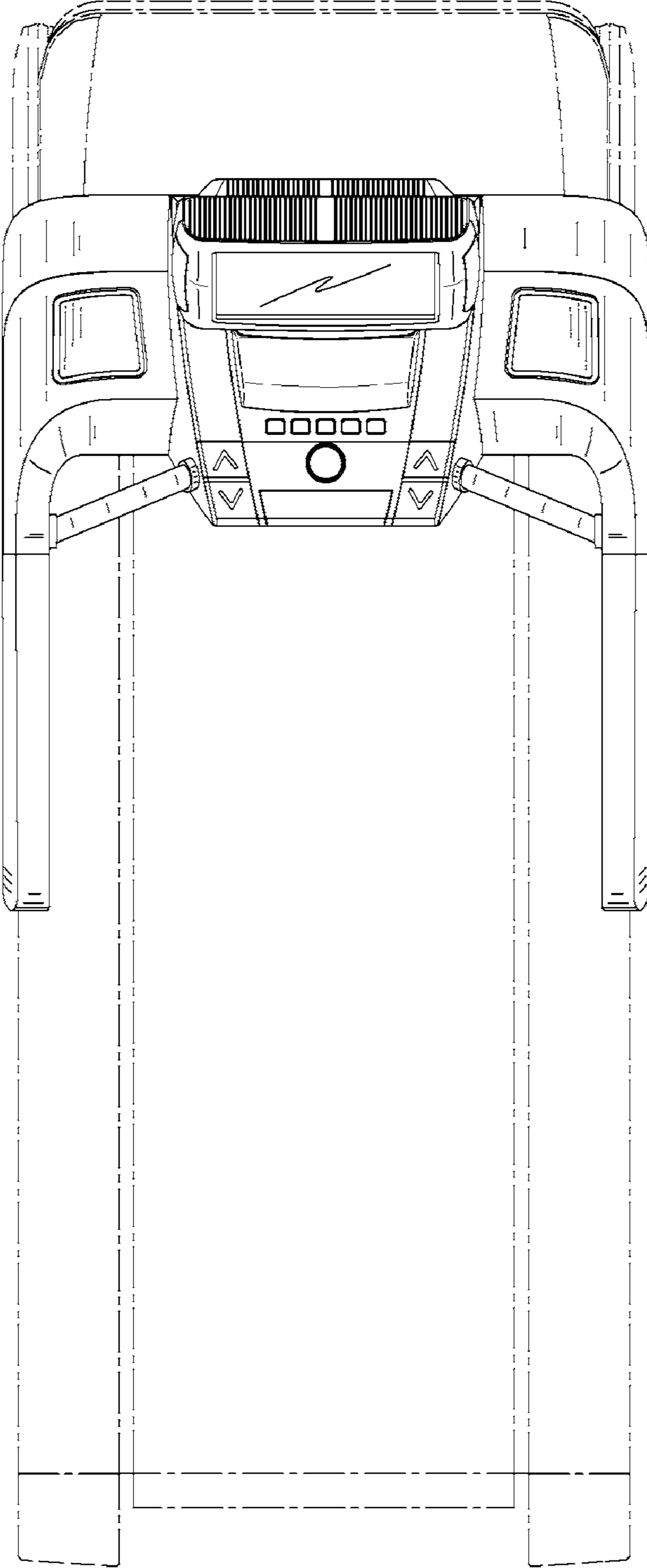


FIG. 7

