



US00D601643S

(12) **United States Design Patent**  
**Byle**

(10) **Patent No.:** **US D601,643 S**  
(45) **Date of Patent:** **\*\* Oct. 6, 2009**

(54) **EXERCISE APPARATUS FOR RESISTANCE TRAINING**

(75) Inventor: **Brian Byle**, Manchester, NH (US)

(73) Assignee: **Brookstone Purchasing, Inc.**,  
Merrimack, NH (US)

(\*\*) Term: **14 Years**

(21) Appl. No.: **29/312,377**

(22) Filed: **Oct. 17, 2008**

(51) **LOC (9) Cl.** ..... **21-02**

(52) **U.S. Cl.** ..... **D21/662; D21/671**

(58) **Field of Classification Search** ..... D21/662,  
D21/686, 692, 694; 482/121, 122, 123, 129,  
482/130, 140, 142

See application file for complete search history.

(56) **References Cited**

**U.S. PATENT DOCUMENTS**

4,403,773	A *	9/1983	Swann	.....	482/130
5,178,596	A *	1/1993	McIntire	.....	482/80
5,352,176	A *	10/1994	Huang	.....	482/146
D353,419	S *	12/1994	Sprague	.....	D21/686
D355,458	S *	2/1995	Chen	.....	D21/673
D371,177	S *	6/1996	Efobi	.....	D21/687
5,540,642	A *	7/1996	Sprague	.....	482/123
6,280,366	B1 *	8/2001	Hsieh	.....	482/130
6,299,569	B1 *	10/2001	Rich	.....	482/123
D467,632	S *	12/2002	Berns	.....	D21/662
D482,748	S *	11/2003	Flynt	.....	D21/692
D505,460	S *	5/2005	Dalebout et al.	.....	D21/688
D557,757	S *	12/2007	Van Straaten	.....	D21/686

\* cited by examiner

*Primary Examiner*—Philip S Hyder

(74) *Attorney, Agent, or Firm*—Grossman, Tucker, Perreault & Pflieger

(57) **CLAIM**

The ornamental design for an exercise apparatus for resistance training, as shown and described.

**DESCRIPTION**

FIG. 1 is a frontal perspective view of an exercise apparatus for resistance training having a right handle assembly and a left handle assembly, wherein said right and left handle assemblies being in a storage position.

FIG. 2 is a front elevation view thereof.

FIG. 3 is a rear elevation view thereof.

FIG. 4 is a right-side elevation view thereof.

FIG. 5 is a left-side elevation view thereof.

FIG. 6 is a top plan view thereof.

FIG. 7 is a bottom plan view thereof.

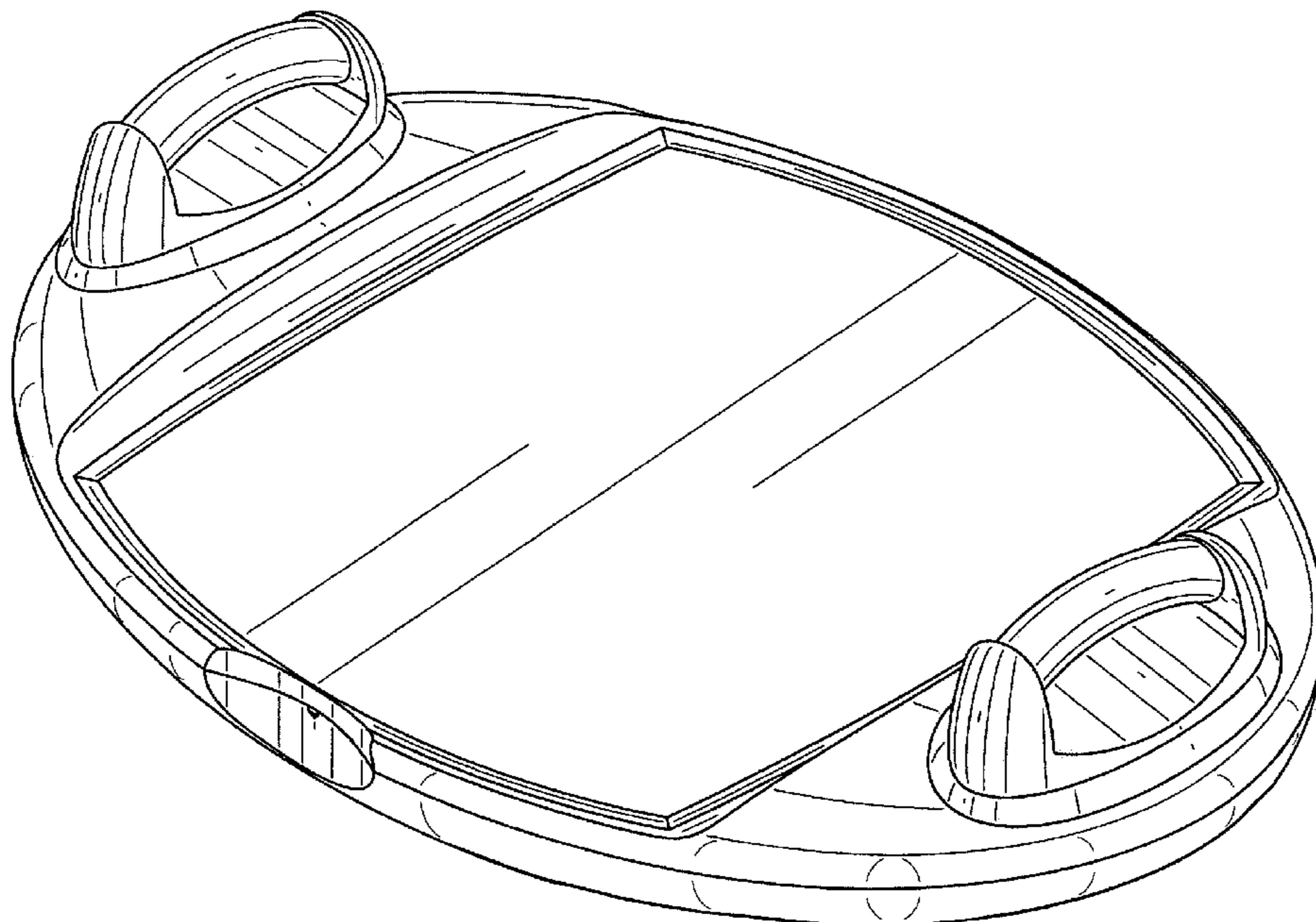
FIG. 8 is a frontal perspective view thereof depicted in use by a person shown in broken lines, wherein said right handle assembly is extended.

FIG. 9 is a frontal perspective view thereof depicted in use by said person shown in broken lines, wherein said left handle assembly is extended; and,

FIG. 10 is a frontal perspective view thereof depicted in use by said person shown in broken lines, wherein in said right handle assembly and said left handle assembly are extended.

The broken lines shown on the drawings are for illustrative purposes only and form no part of the claimed design.

**1 Claim, 8 Drawing Sheets**



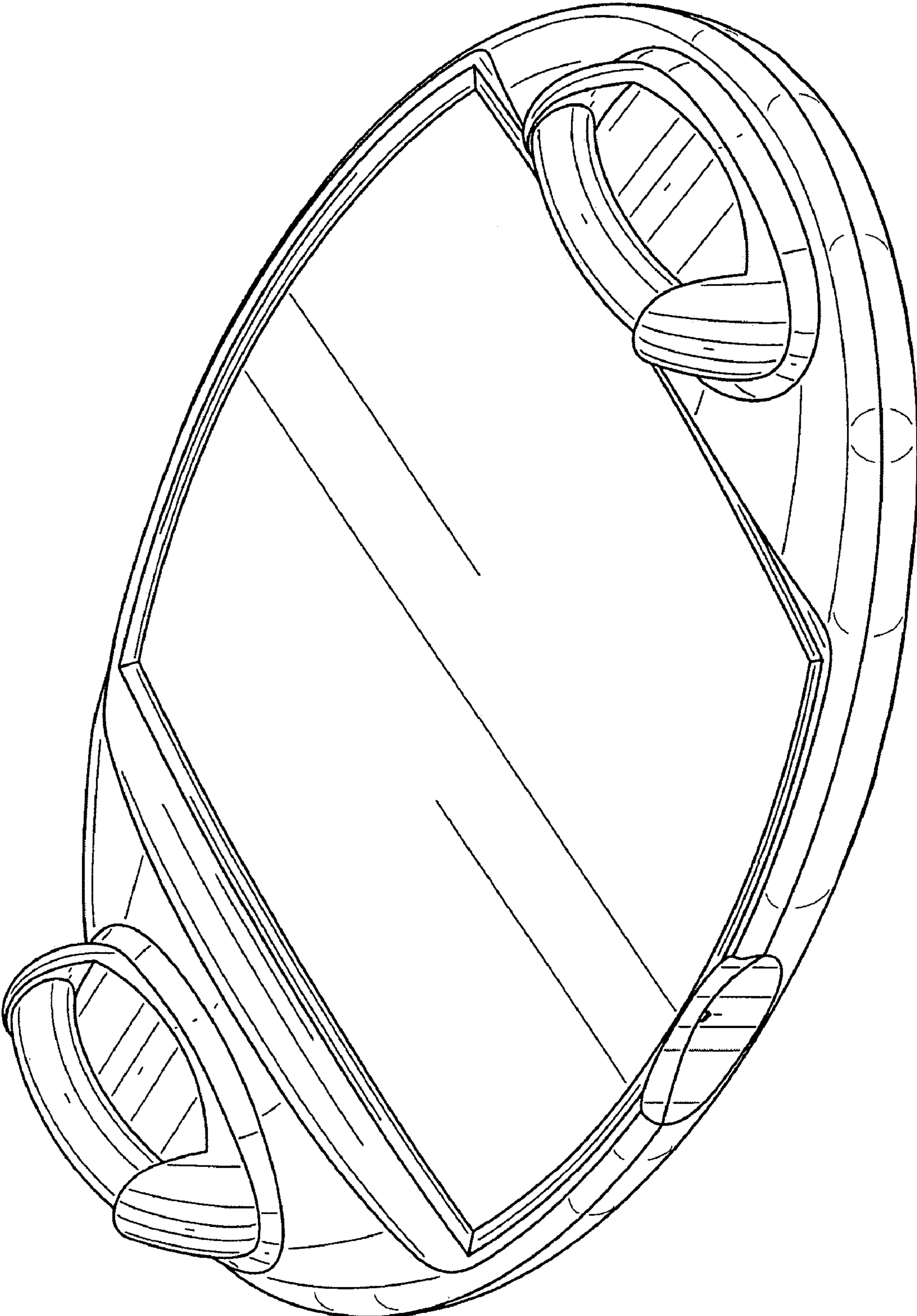


FIG. 1

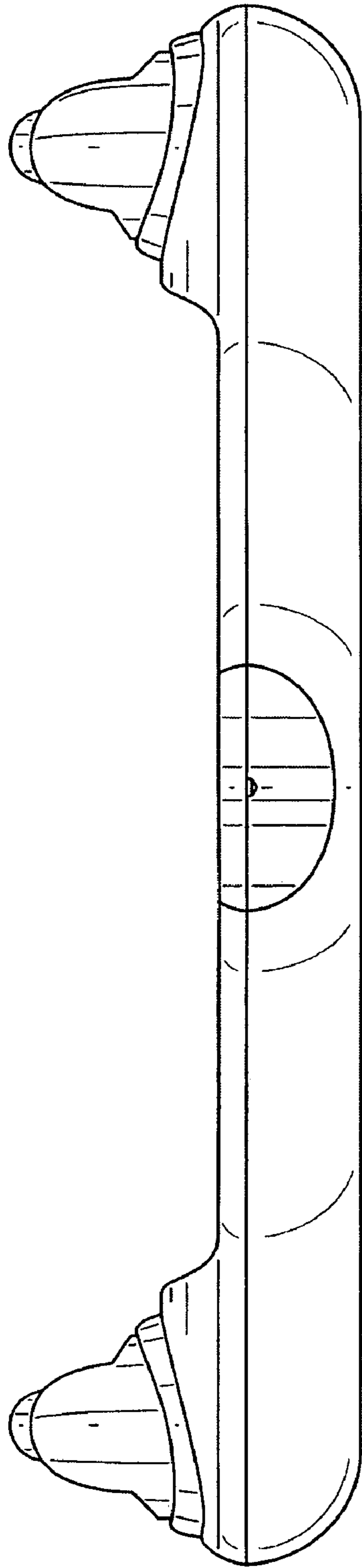


FIG. 2

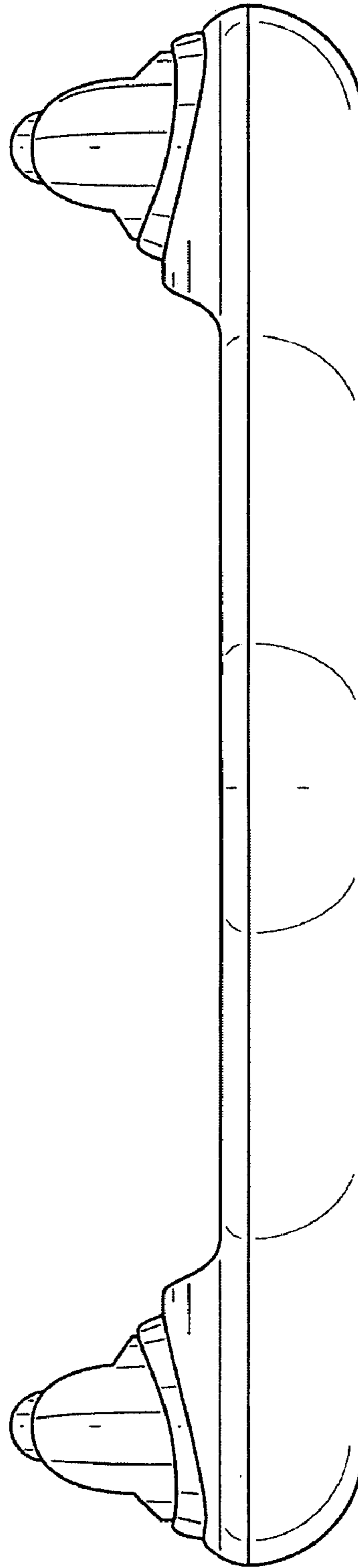


FIG. 3

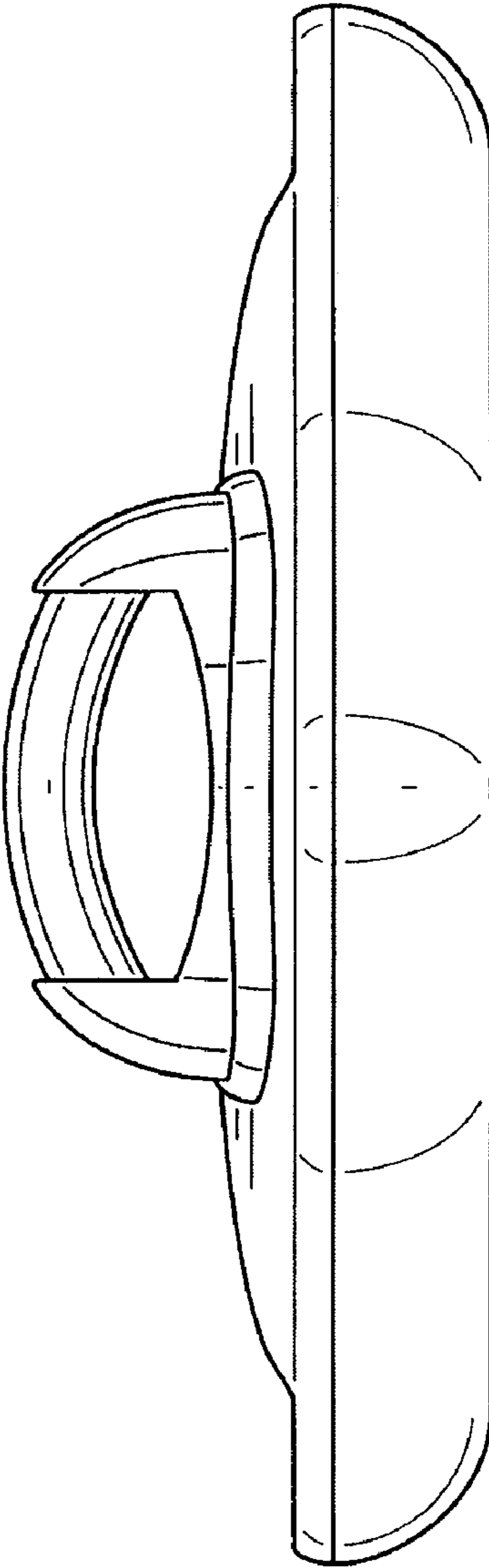


FIG. 4

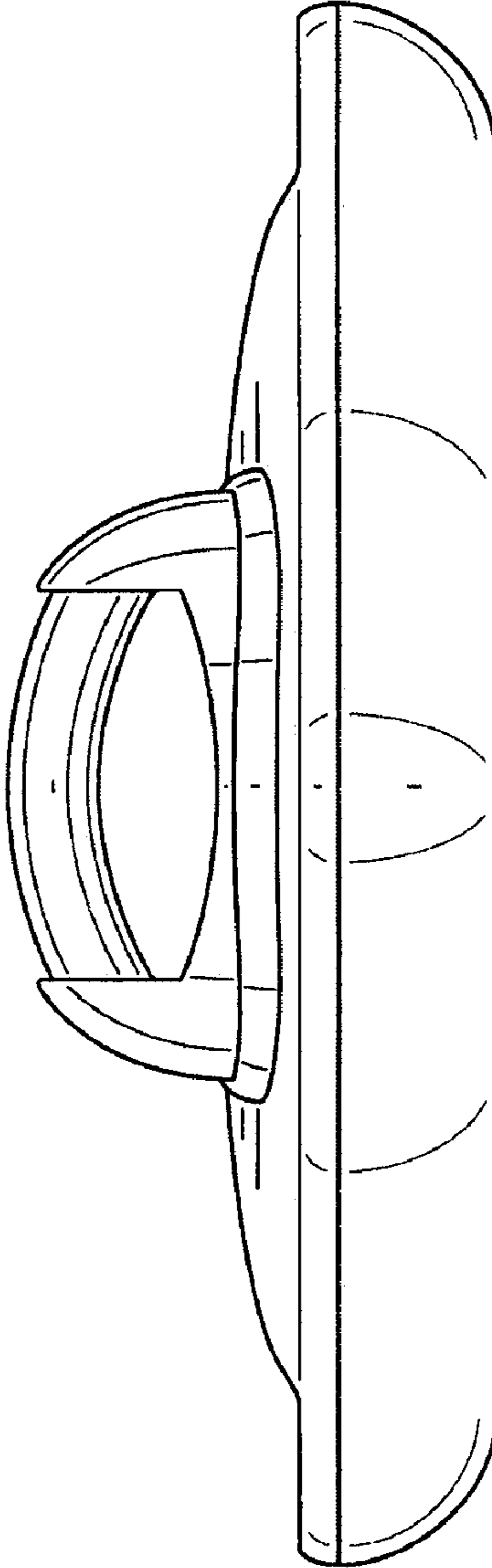


FIG. 5



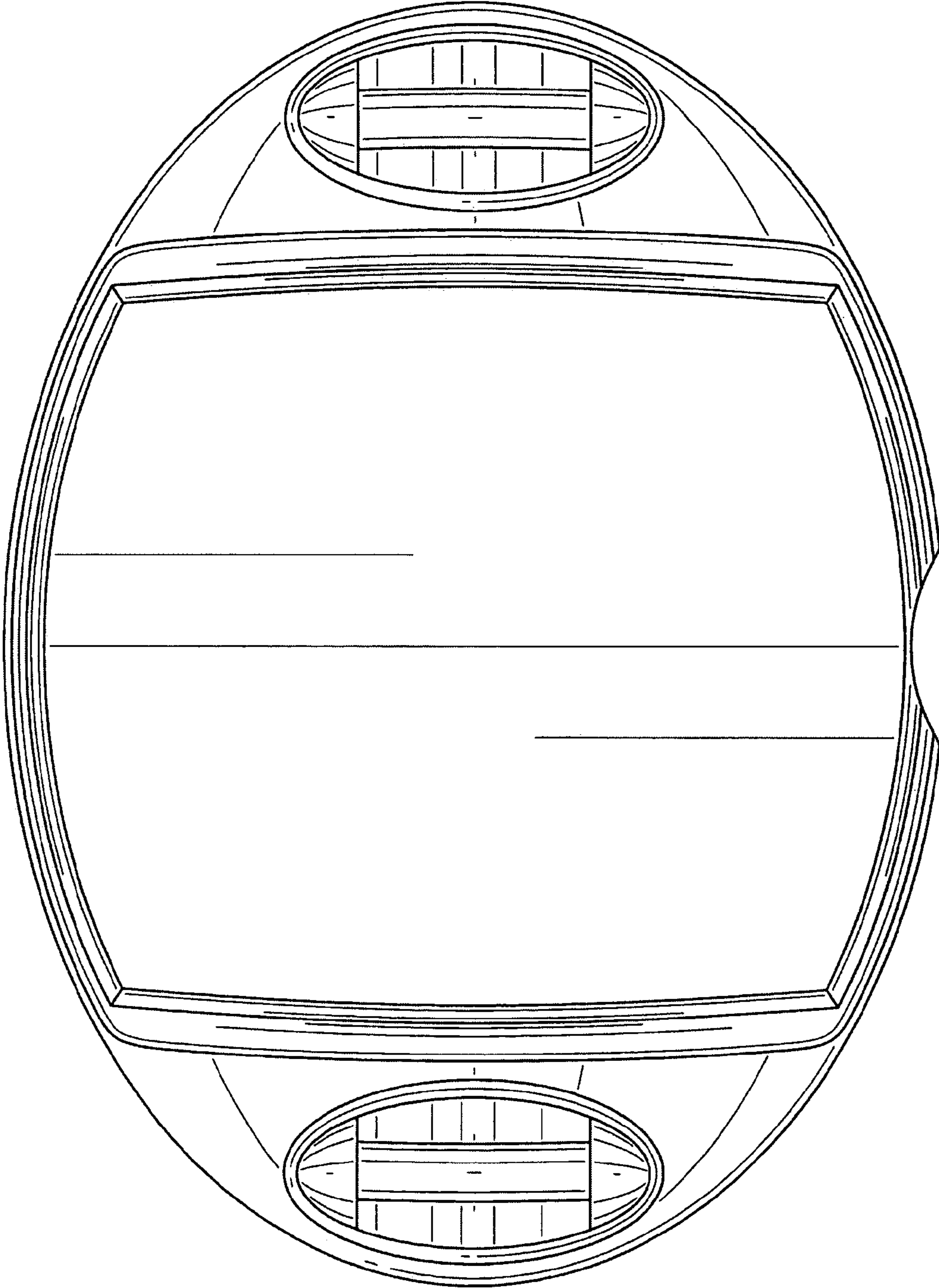


FIG. 6

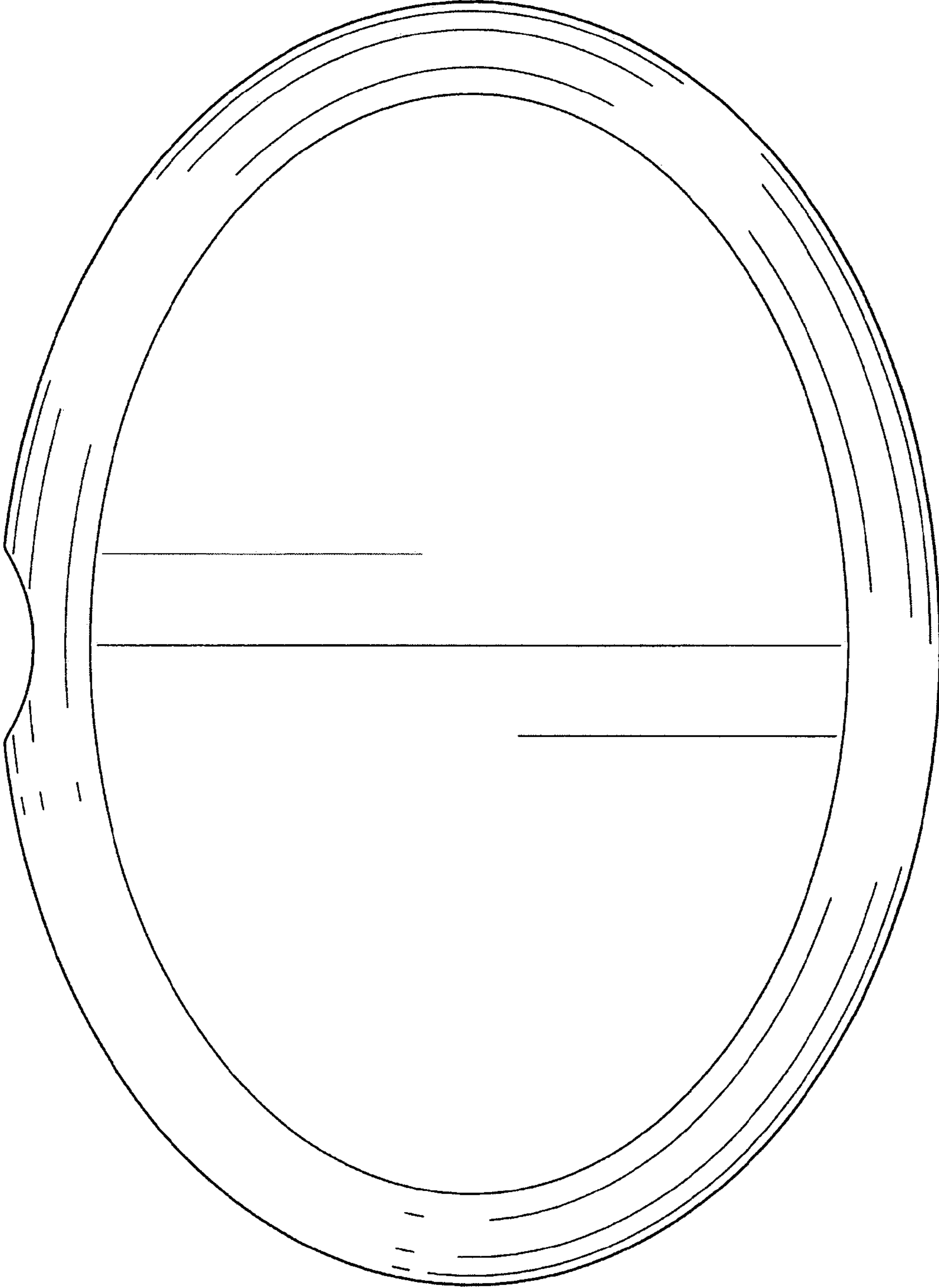


FIG. 7

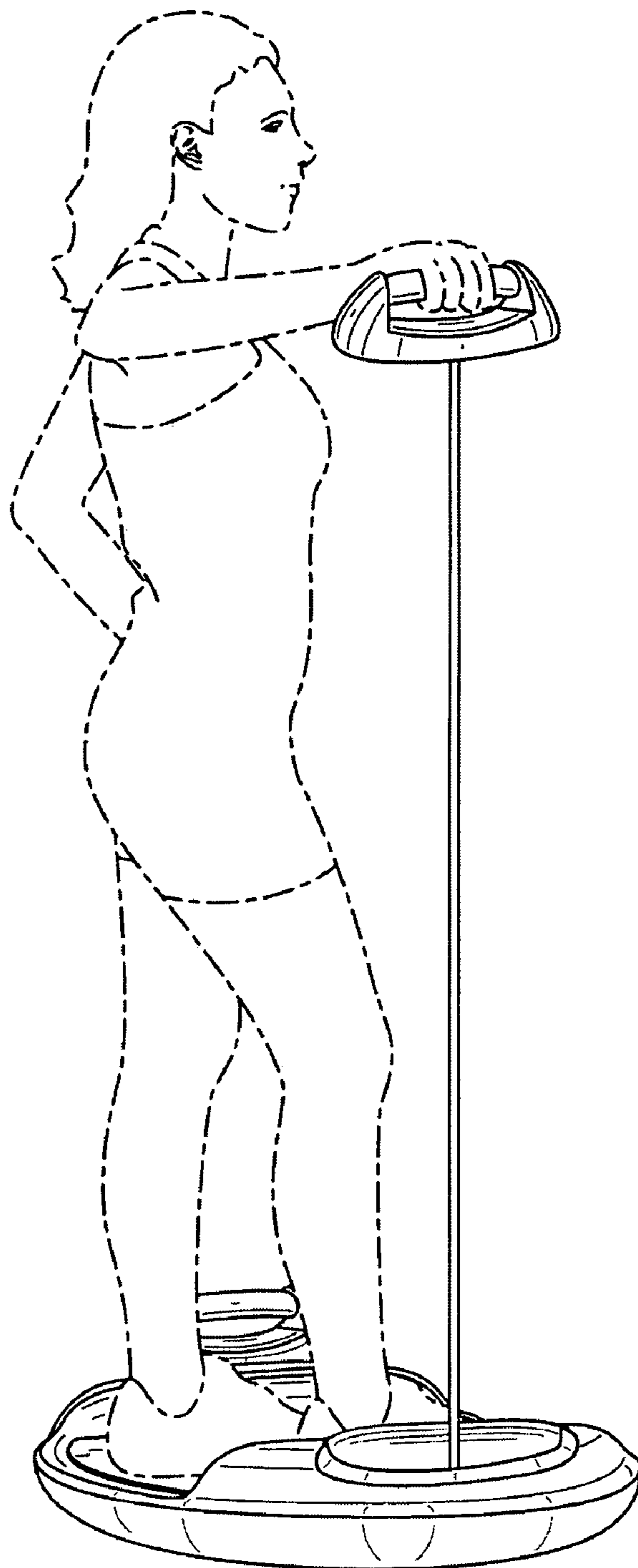


FIG. 8

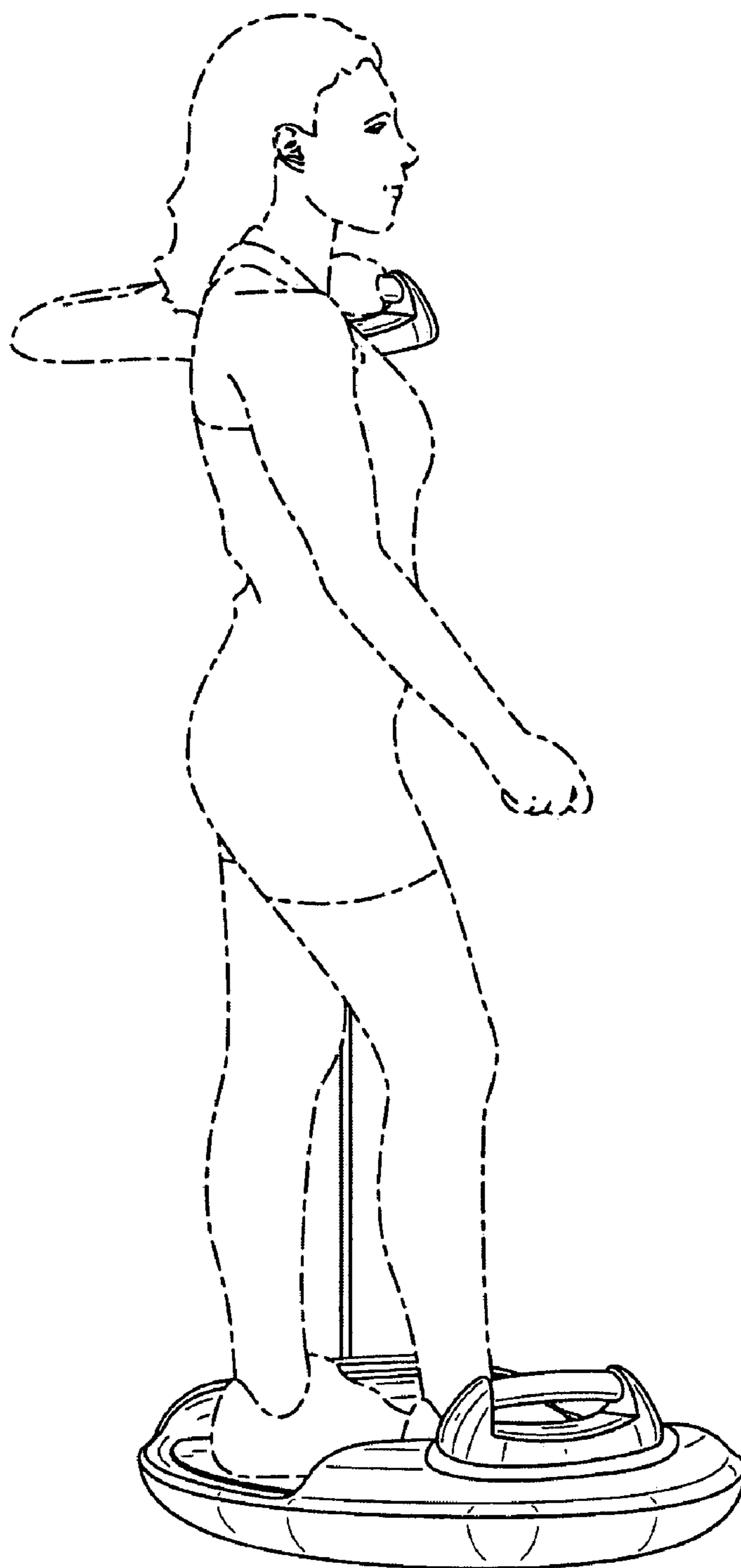


FIG. 9



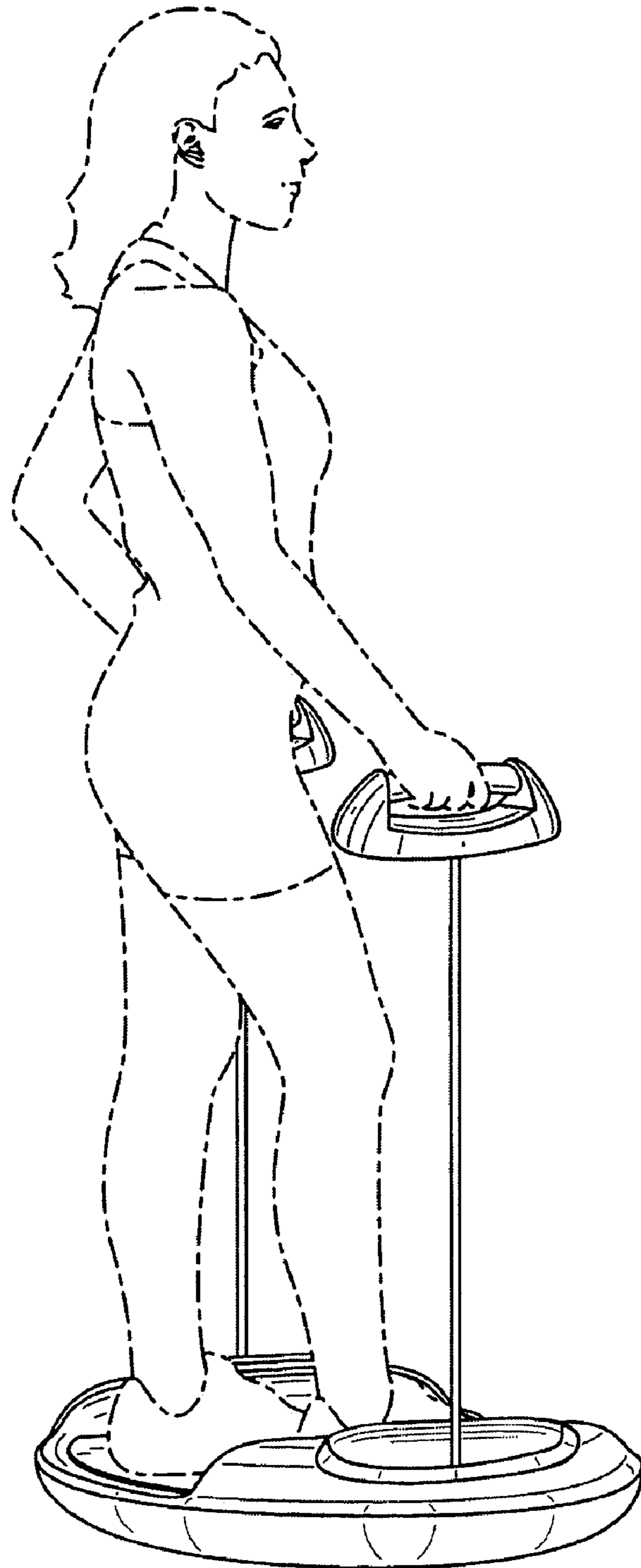


FIG. 10