

US00D601642S

(12) **United States Design Patent**
Talavera

(10) **Patent No.:** **US D601,642 S**

(45) **Date of Patent:** **** Oct. 6, 2009**

(54) **TOY BUILDING BLOCK**

D359,998 S * 7/1995 Knudsen D21/504
D367,896 S * 3/1996 Knudsen D21/504
D383,176 S * 9/1997 Rasmussen et al. D21/501

(76) Inventor: **Yenia Garcia Talavera**, Blvd. Adolfo
Ruiz Cortinez N° 4152, Col. Jardines del
Pedregal, Del. Alvaro Obregon, CP 4152
(MX)

* cited by examiner

Primary Examiner—Holly H Baynham
Assistant Examiner—Cynthia M Chin

(**) Term: **14 Years**

(21) Appl. No.: **29/327,725**

(57) **CLAIM**

(22) Filed: **Nov. 12, 2008**

I claim the ornamental design for a toy building block, as shown and described.

(51) **LOC (9) Cl.** **21-01**

(52) **U.S. Cl.** **D21/504**

(58) **Field of Classification Search** D21/453,
D21/484–487, 490, 491, 492, 494, 499–502,
D21/504, 506, 507; D25/113, 114, 118;
446/69, 89, 92, 102–128; 434/259, 208,
434/403; 52/503; 273/153, 156, 160

See application file for complete search history.

DESCRIPTION

FIG. 1 is an enlarged front perspective view of the toy building block showing my design.

FIG. 2 is an enlarged side elevation view thereof.

FIG. 3 is an environmental front perspective view illustrating four of the toy building block of my design assembled to form an 'X' and to which ornamental pins may be plug to the orifices of its front walls;

FIG. 4 is an environmental top view thereof;

FIG. 5 is an environmental front elevation view thereof; and,

FIG. 6 is an environmental side elevation view thereof.

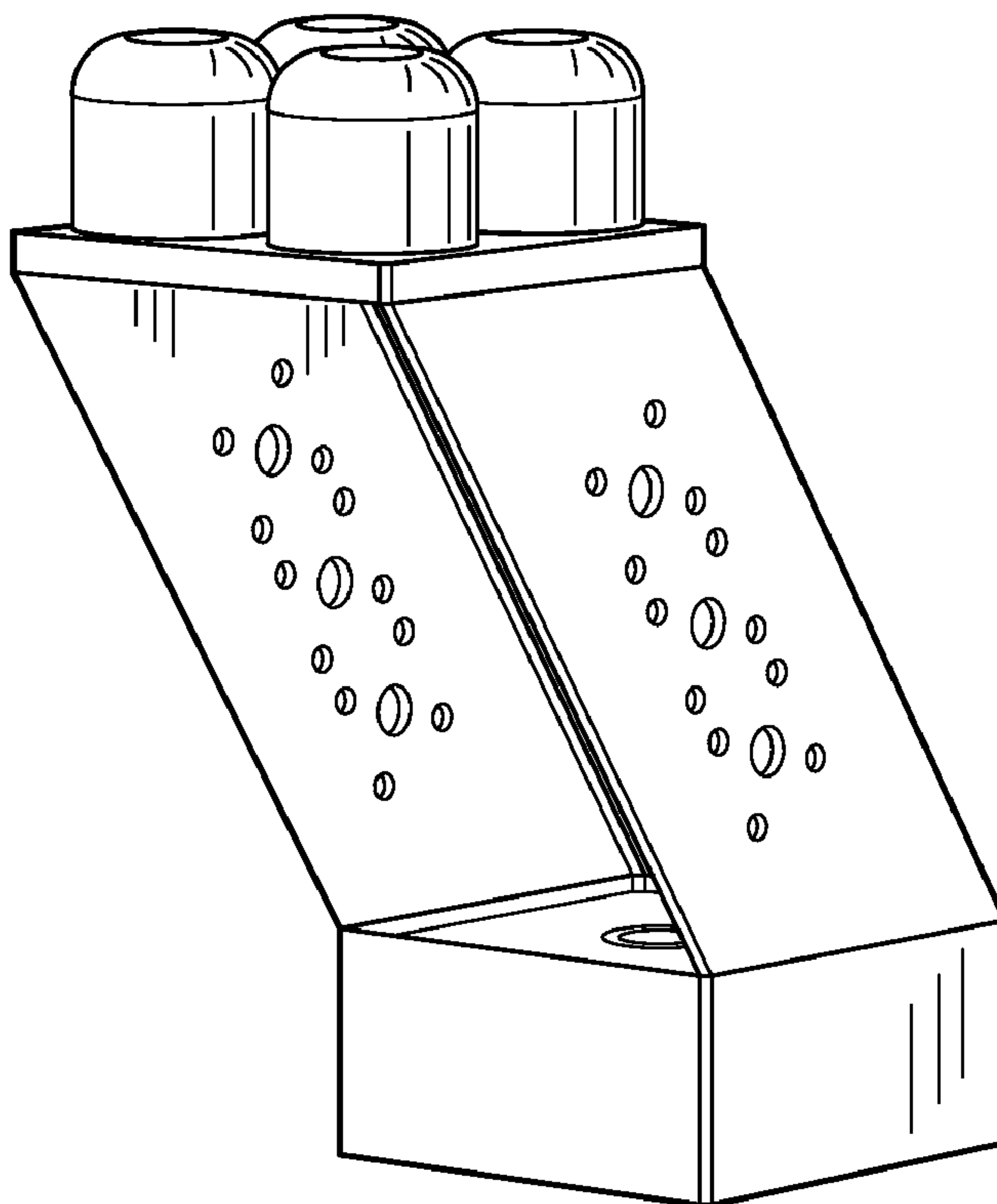
The broken lines represent portions of the design that form no part of the claim.

(56) **References Cited**

U.S. PATENT DOCUMENTS

D280,533 S * 9/1985 Pedersen D21/502
D290,629 S * 6/1987 Bertrand D21/504
D295,646 S * 5/1988 Knudsen D21/492
D303,404 S * 9/1989 Tapdrup D21/453
D311,935 S * 11/1990 Andersen D21/487
D325,056 S * 3/1992 Pagel D21/486
D350,165 S * 8/1994 Refsing D21/504

1 Claim, 5 Drawing Sheets



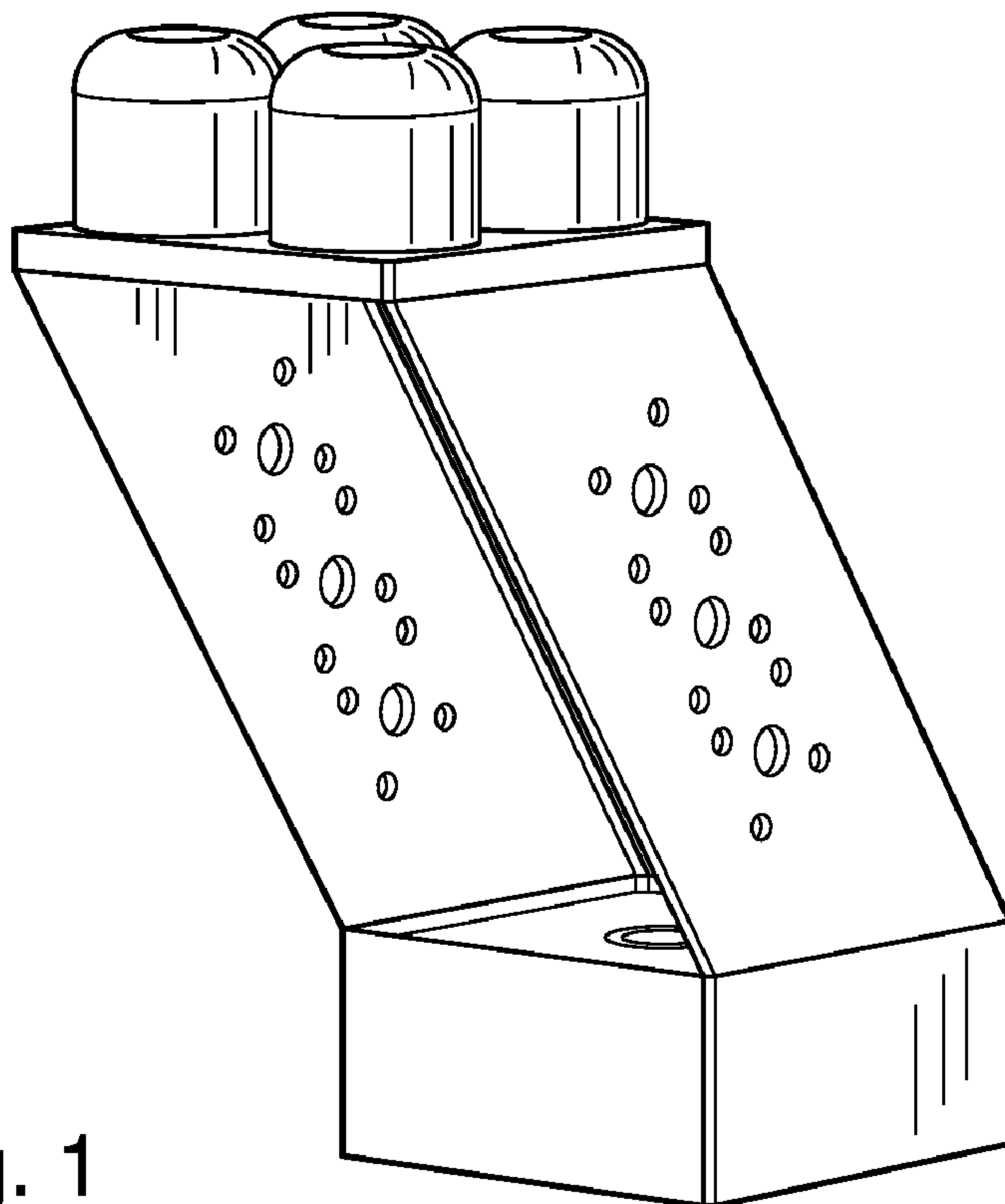


Fig. 1

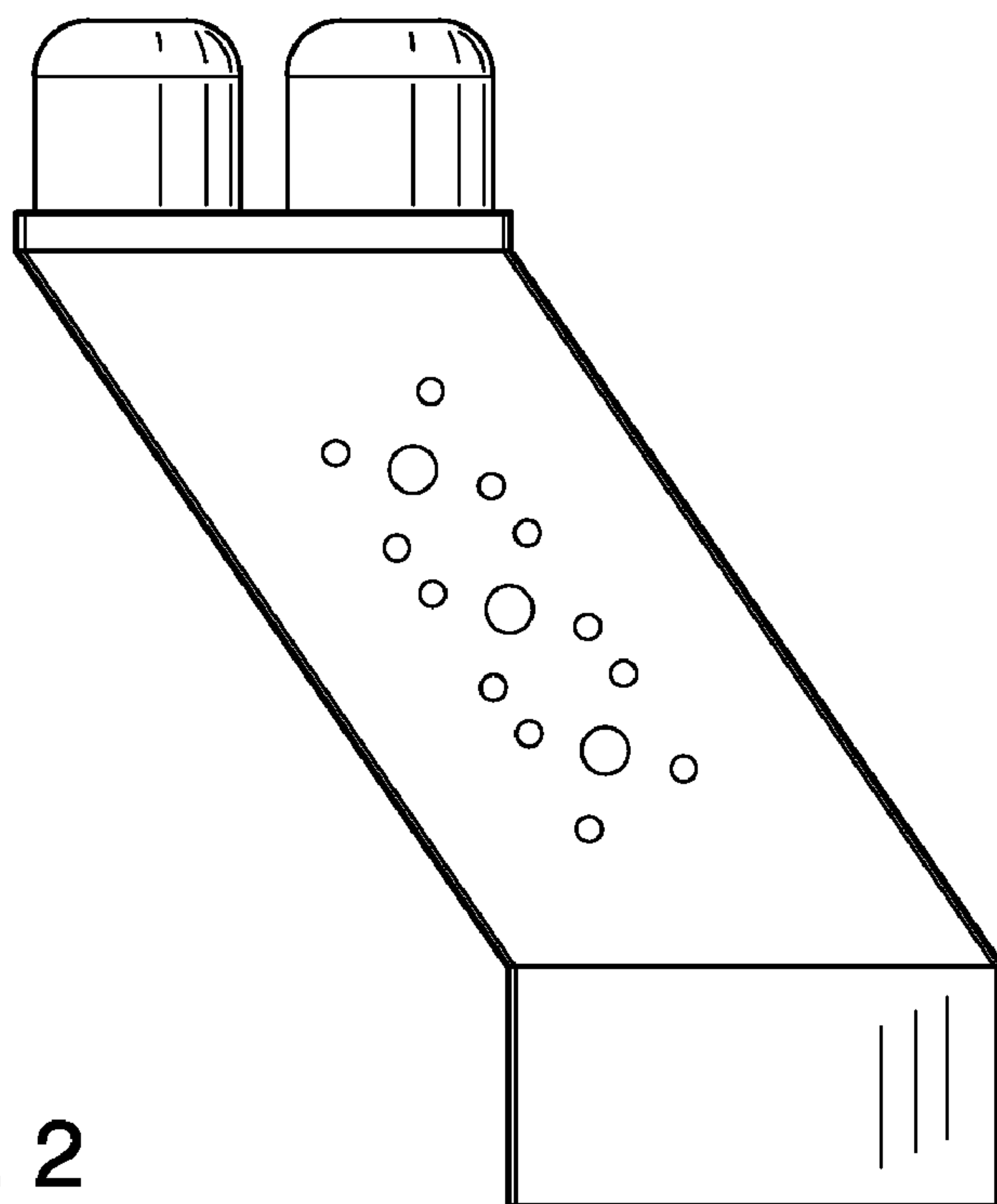


Fig. 2

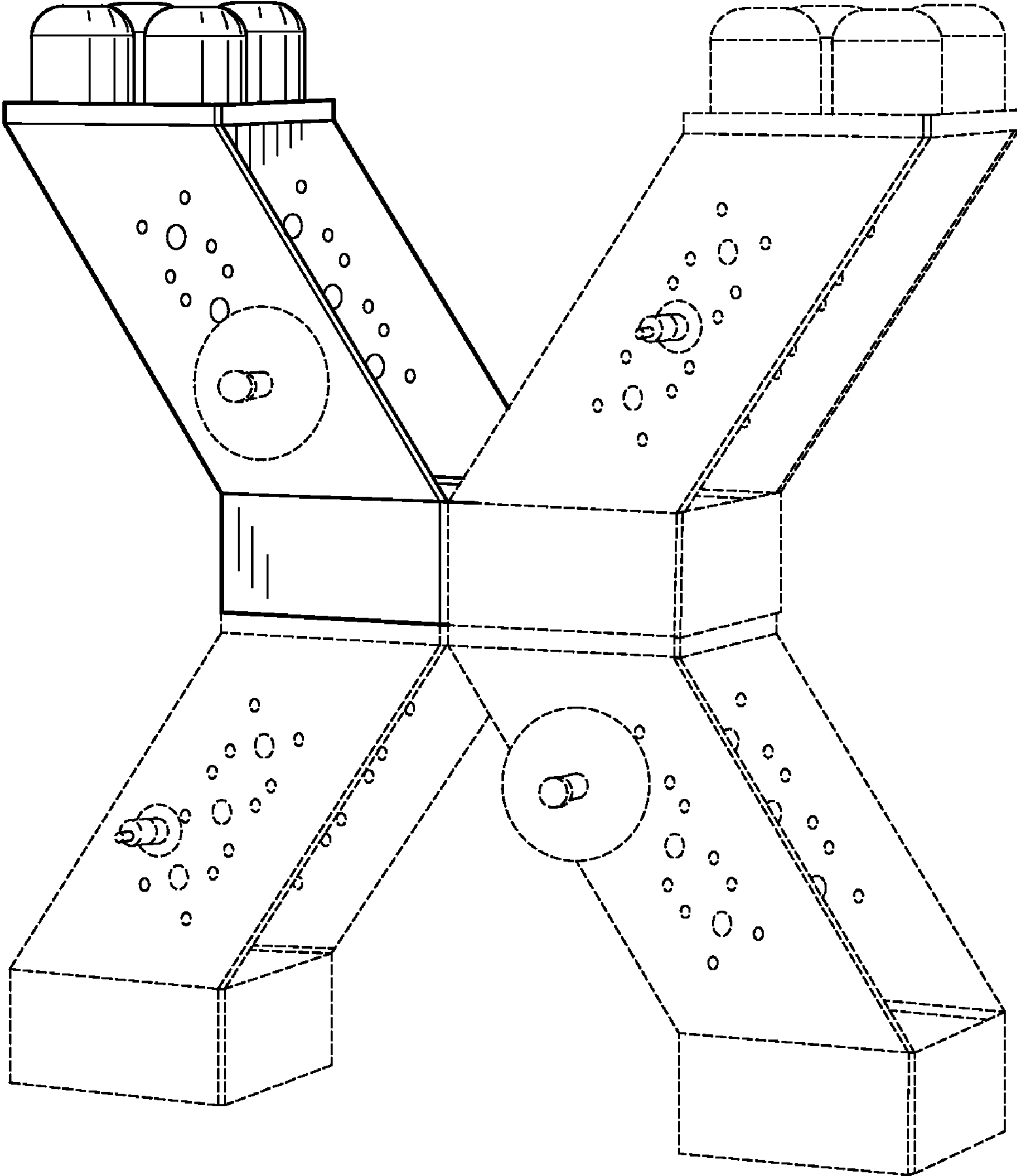


Fig. 3

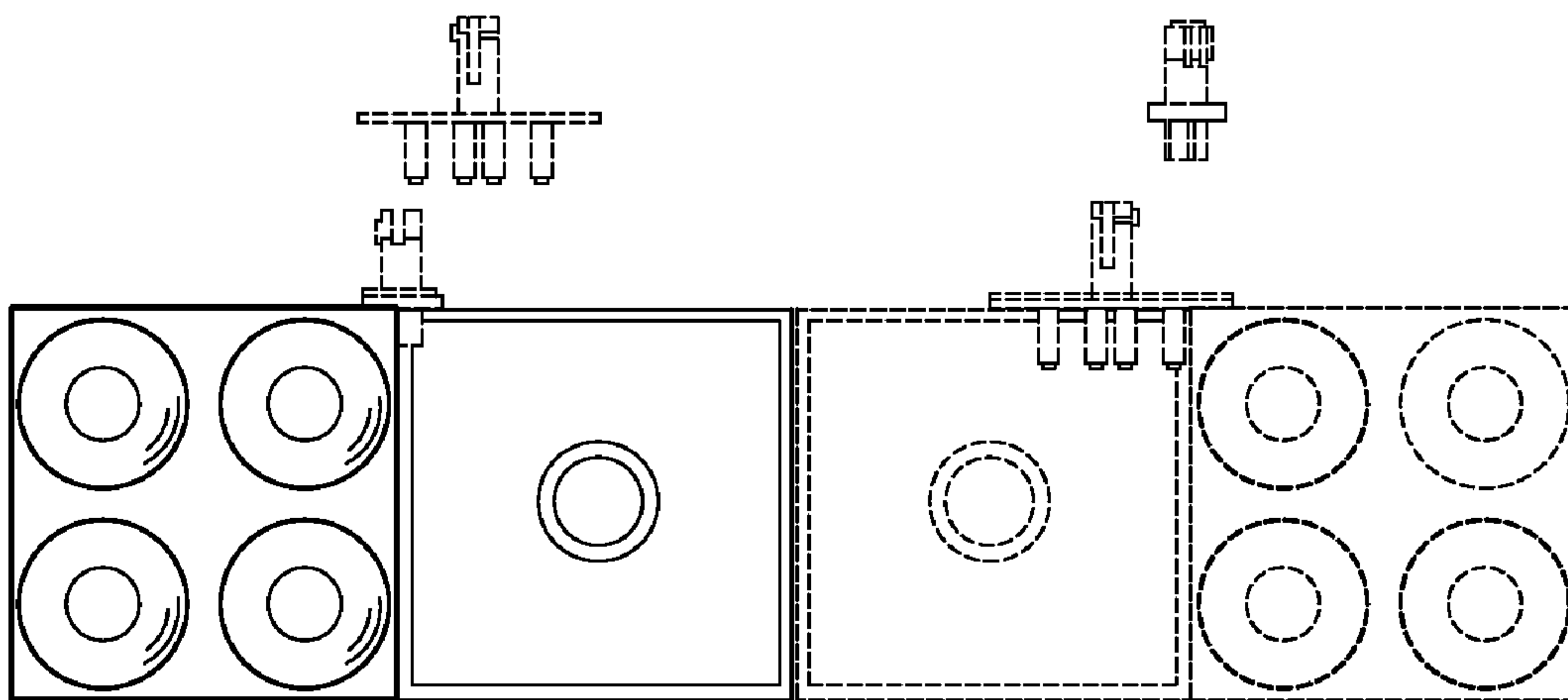


Fig. 4

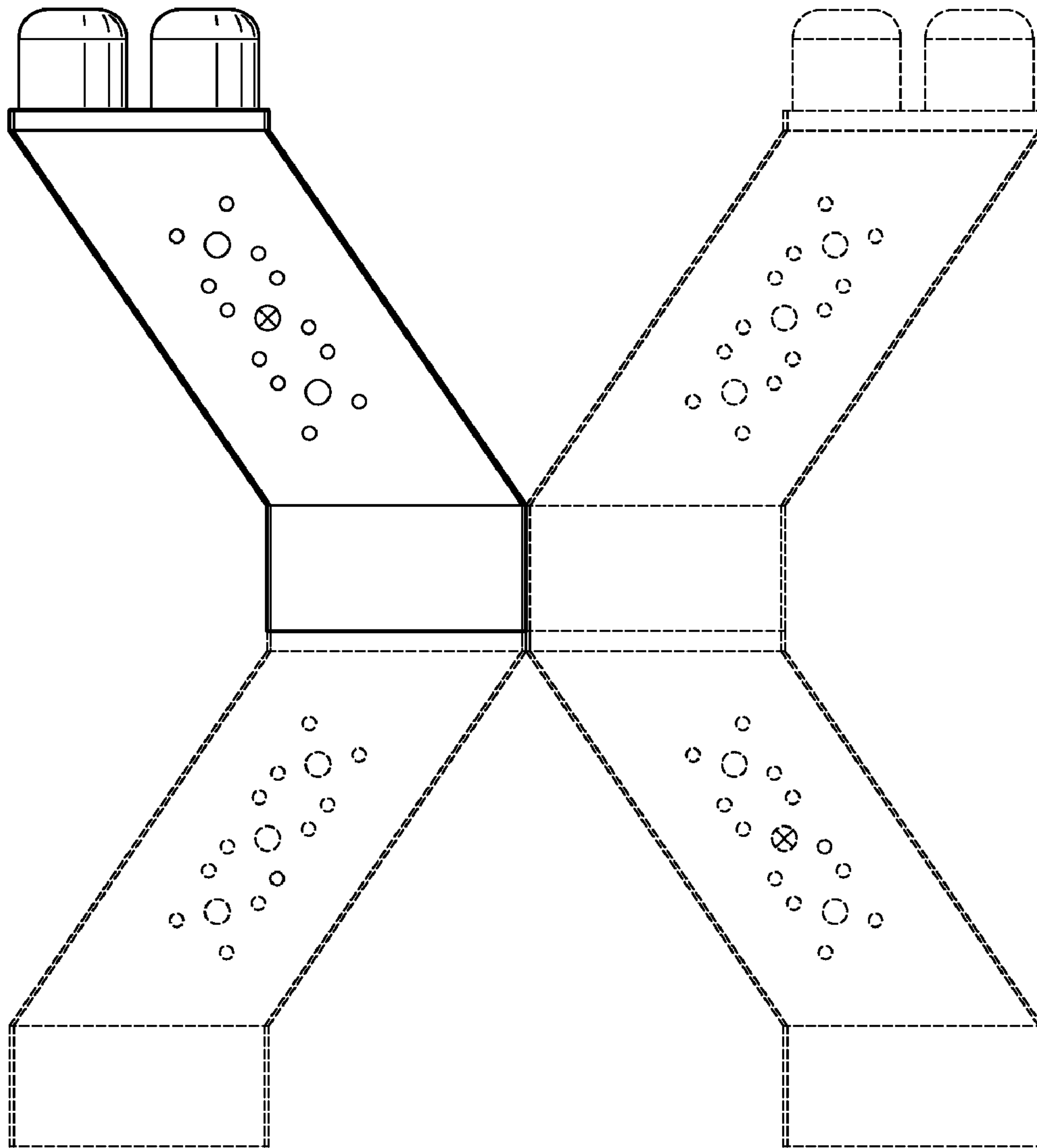


Fig. 5

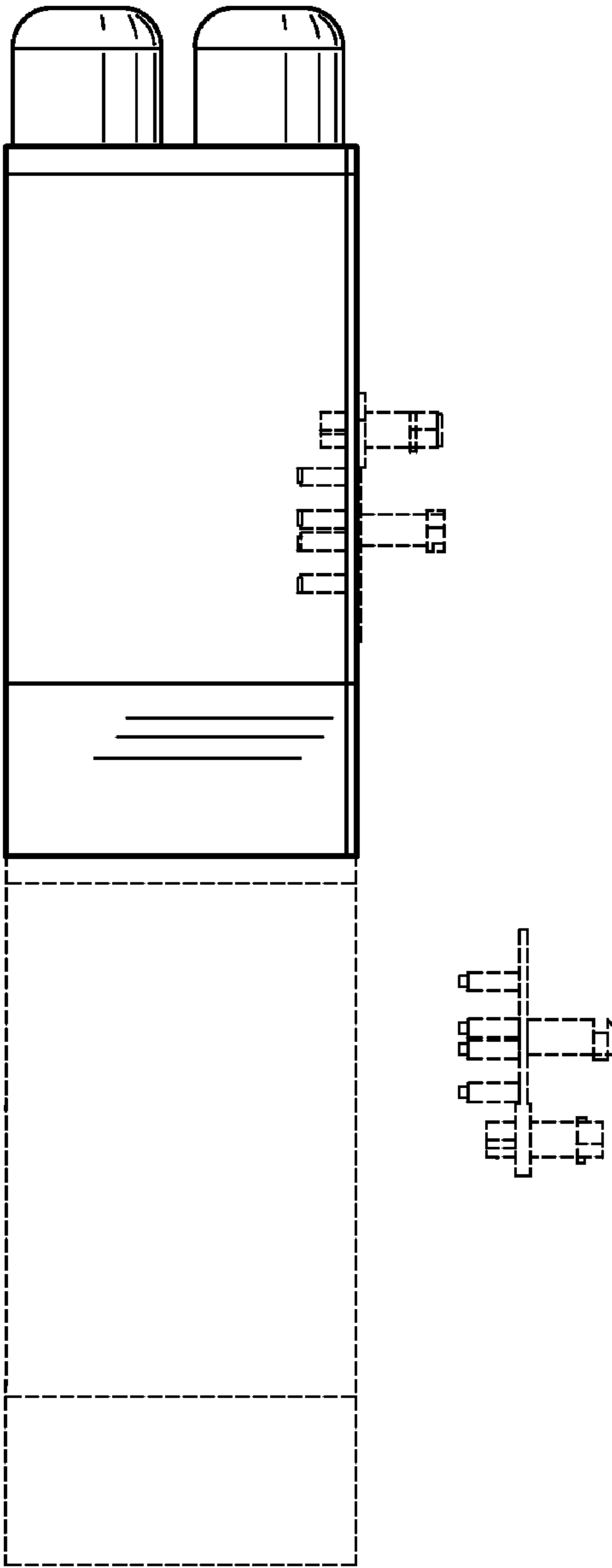


Fig. 6