



US00D601641S

(12) **United States Design Patent**
Yeung

(10) **Patent No.:** **US D601,641 S**

(45) **Date of Patent:** **** Oct. 6, 2009**

(54) **TOY GOGGLE WITH SPEAKER PHONE**

(75) Inventor: **Wa-Sang Yeung**, New Territories (CN)

(73) Assignee: **Eastcolight (Hong Kong) Limited**,
Kowloon, Hong Kong (CN)

(**) Term: **14 Years**

(21) Appl. No.: **29/314,414**

(22) Filed: **Mar. 27, 2009**

(30) **Foreign Application Priority Data**

Sep. 28, 2008 (CN) 2008 3 0213503

(51) **LOC (9) Cl.** **21-01**

(52) **U.S. Cl.** **D21/483**; D16/306; D16/309

(58) **Field of Classification Search** D21/483,
D21/513, 517; D14/206, 372; D16/303,
D16/306, 309, 311, 312; D29/109, 110;
351/41, 44, 123, 158, 205, 409, 480; 2/425,
2/426, 444, 447, 470

See application file for complete search history.

(56) **References Cited**

U.S. PATENT DOCUMENTS

3,414,347	A *	12/1968	Stoltze	359/409
4,021,878	A *	5/1977	Peillex	351/158
4,568,158	A *	2/1986	Blaha et al.	351/205
4,971,429	A *	11/1990	Ishido et al.	359/409
5,106,179	A *	4/1992	Kamaya et al.	351/158
D351,622	S *	10/1994	Holmes	D14/372
D352,046	S *	11/1994	Kataoka	D16/309
D359,502	S *	6/1995	Hicks	D16/311
D363,482	S *	10/1995	Robinson et al.	D14/372
D375,495	S *	11/1996	MacInnes et al.	D14/372
D380,032	S *	6/1997	Kobayashi et al.	D14/372
D383,455	S *	9/1997	MacInnes et al.	D14/372

5,724,119	A *	3/1998	Leight	351/158
D397,334	S *	8/1998	Larian	D14/372
D417,666	S *	12/1999	Morooka	D14/372
D427,982	S *	7/2000	Ishii	D14/372
D436,086	S *	1/2001	Ishii	D14/126
6,176,576	B1 *	1/2001	Green et al.	351/123
D440,967	S *	4/2001	Jung	D14/372
6,511,177	B1 *	1/2003	Hall et al.	351/158
D505,969	S *	6/2005	Yeung	D16/309
D512,985	S *	12/2005	Travers et al.	D14/206
D515,615	S *	2/2006	Fecteau et al.	D16/312
D525,666	S *	7/2006	Yeung	D21/483
D556,812	S *	12/2007	Wang-Lee	D16/312
2004/0160572	A1 *	8/2004	Jannard et al.	351/158

* cited by examiner

Primary Examiner—Holly H Baynham

Assistant Examiner—Cynthia M Chin

(74) *Attorney, Agent, or Firm*—Alix, Yale & Ristas, LLP

(57) **CLAIM**

The ornamental design for a toy goggle with speaker phone, as shown and described.

DESCRIPTION

FIG. 1 is a perspective view of a toy goggle with speaker phone showing my new design;

FIG. 2 is a front elevational view thereof;

FIG. 3 is a rear elevational view thereof;

FIG. 4 is a bottom plan view thereof;

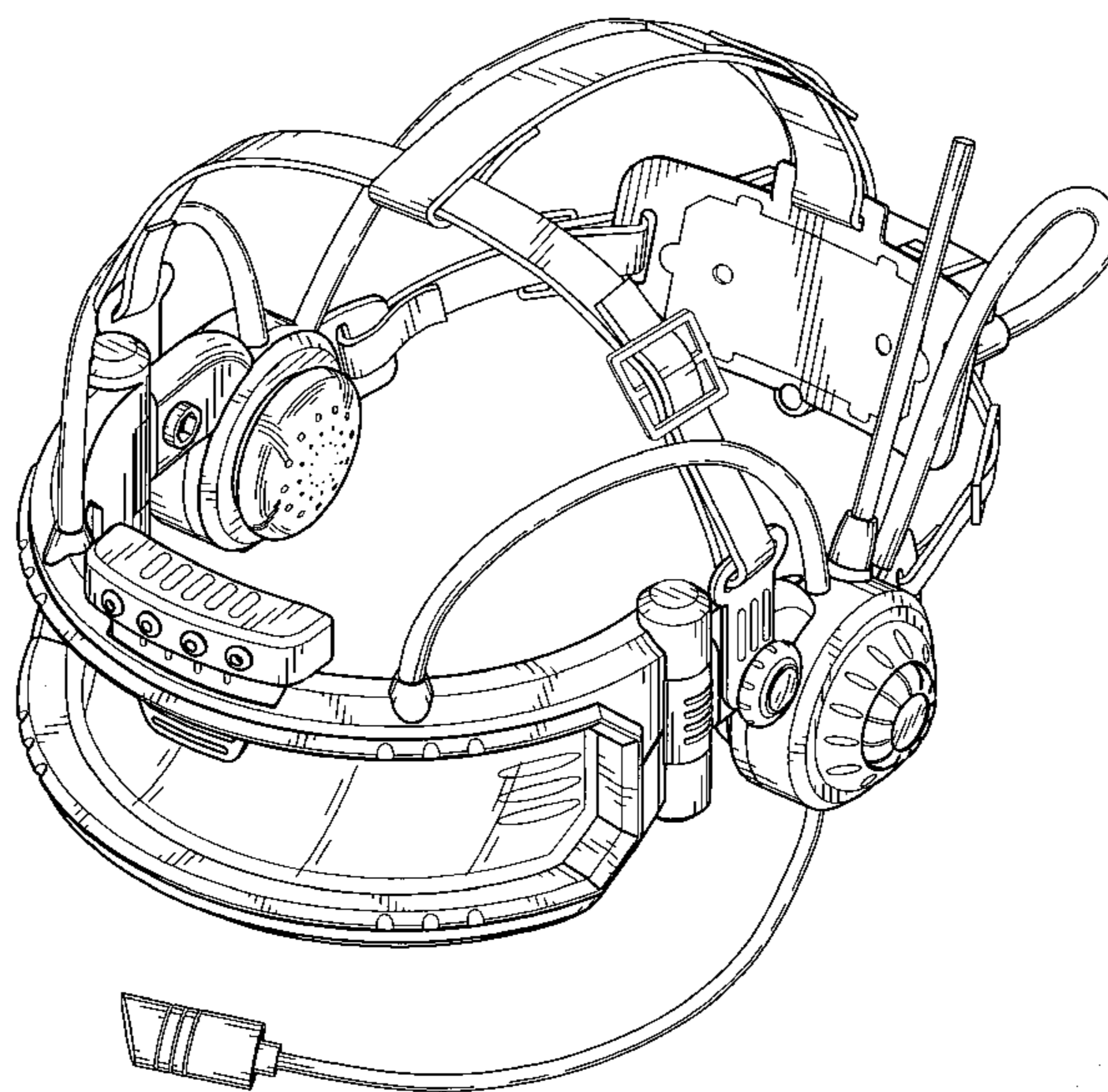
FIG. 5 is a left side elevational view thereof;

FIG. 6 is right side elevational view thereof;

FIG. 7 is a top plan view thereof; and,

FIG. 8 is a perspective view shown in use thereof.

1 Claim, 5 Drawing Sheets



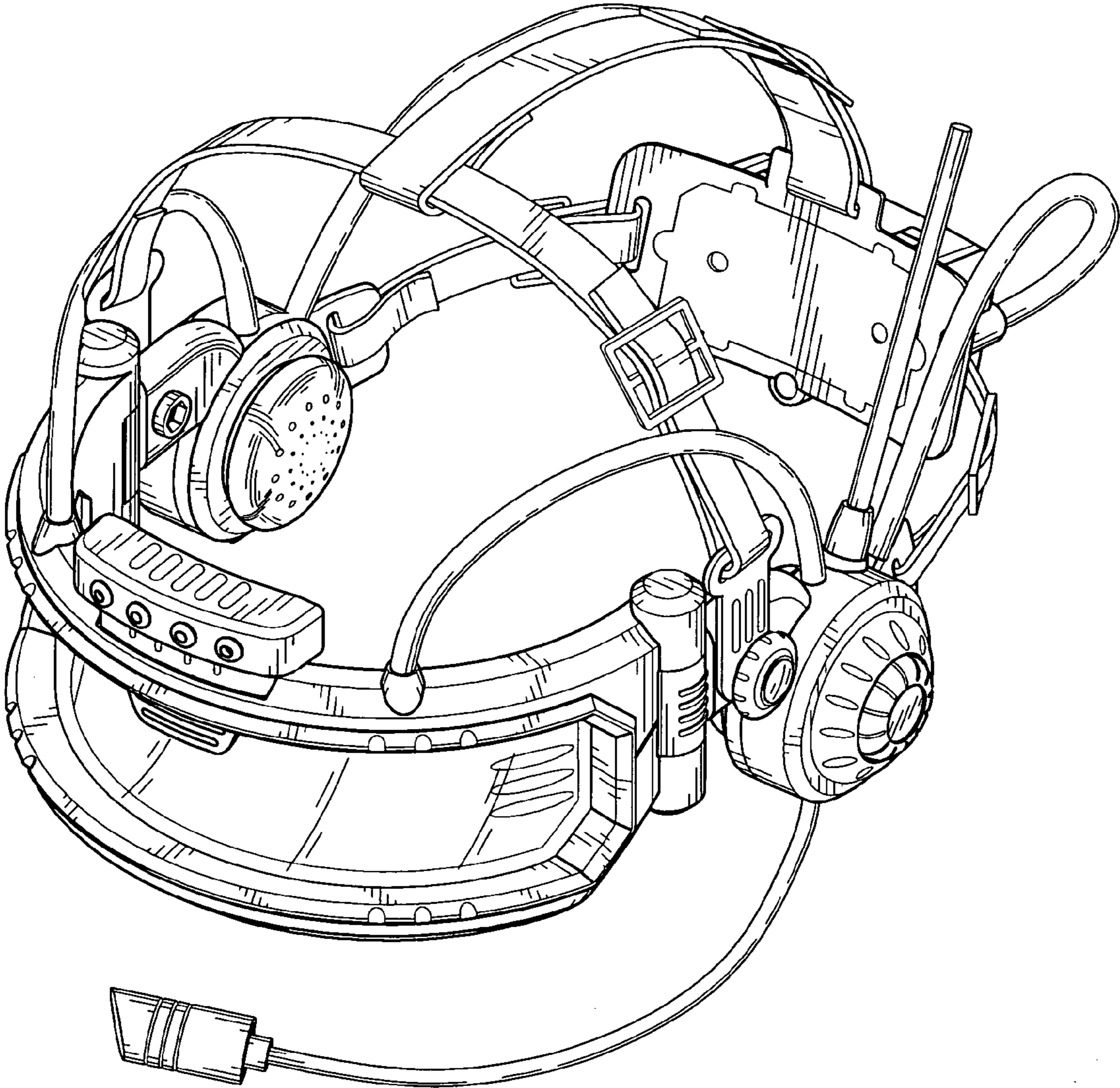


FIG.1

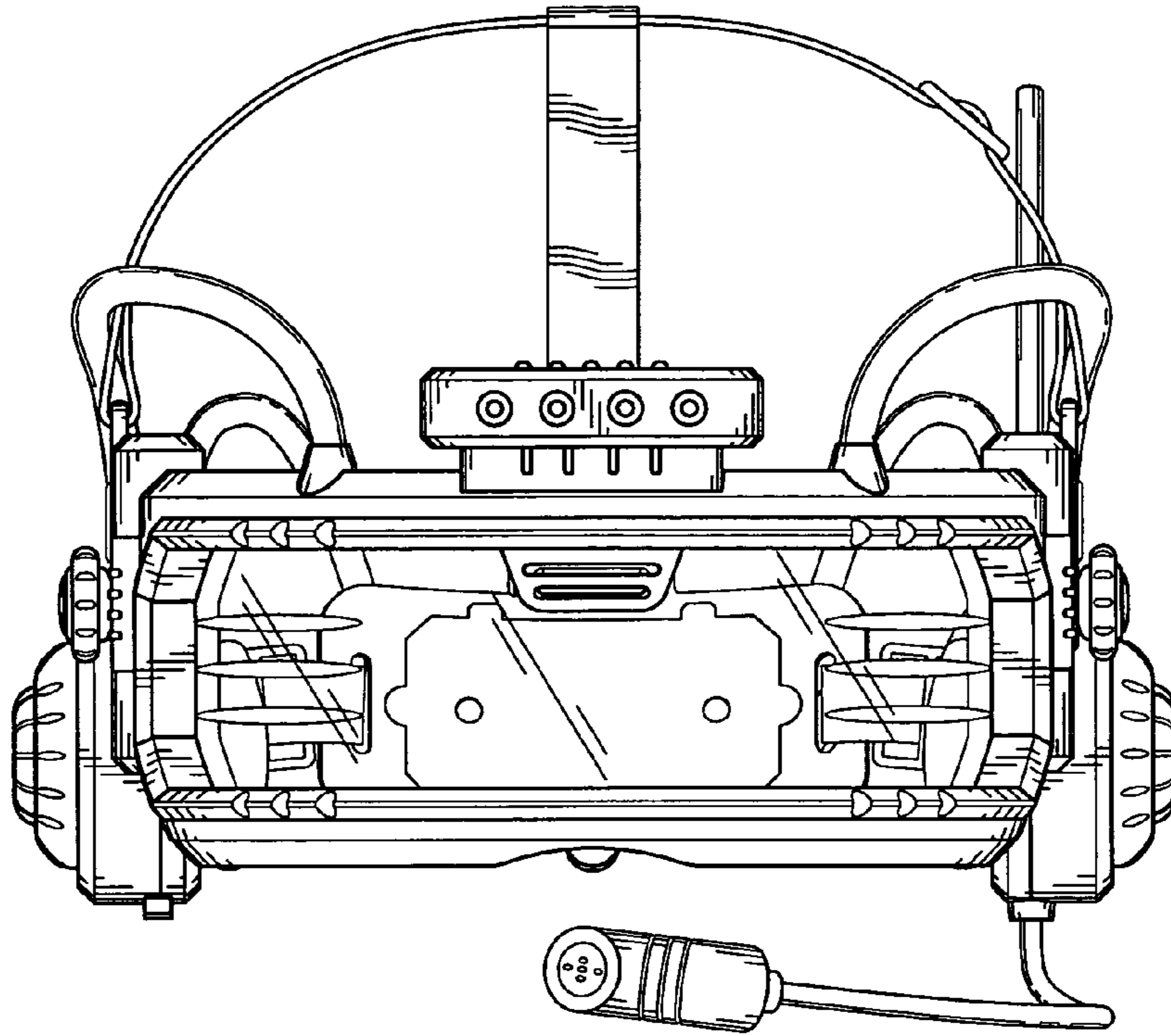


FIG. 2

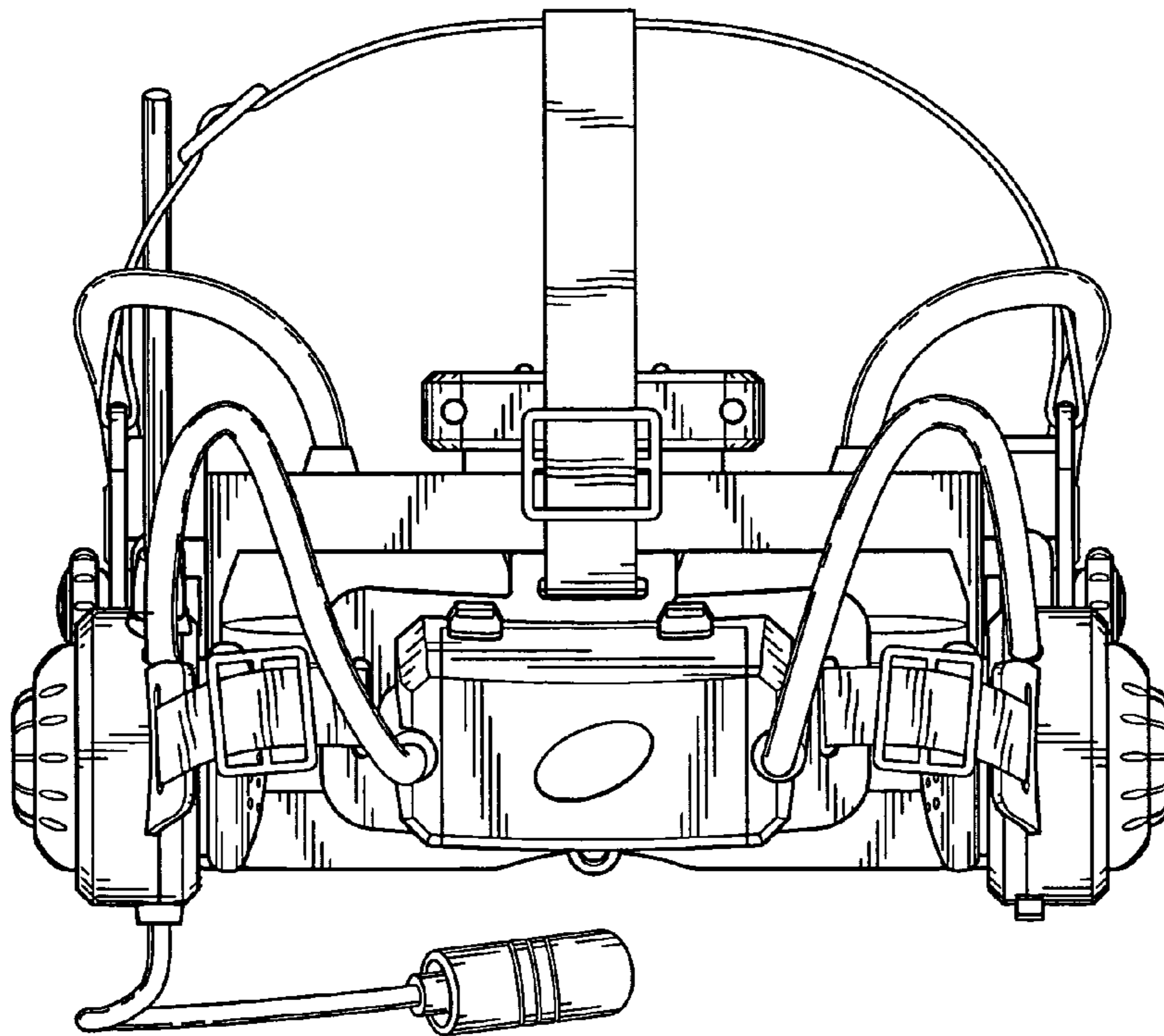


FIG. 3

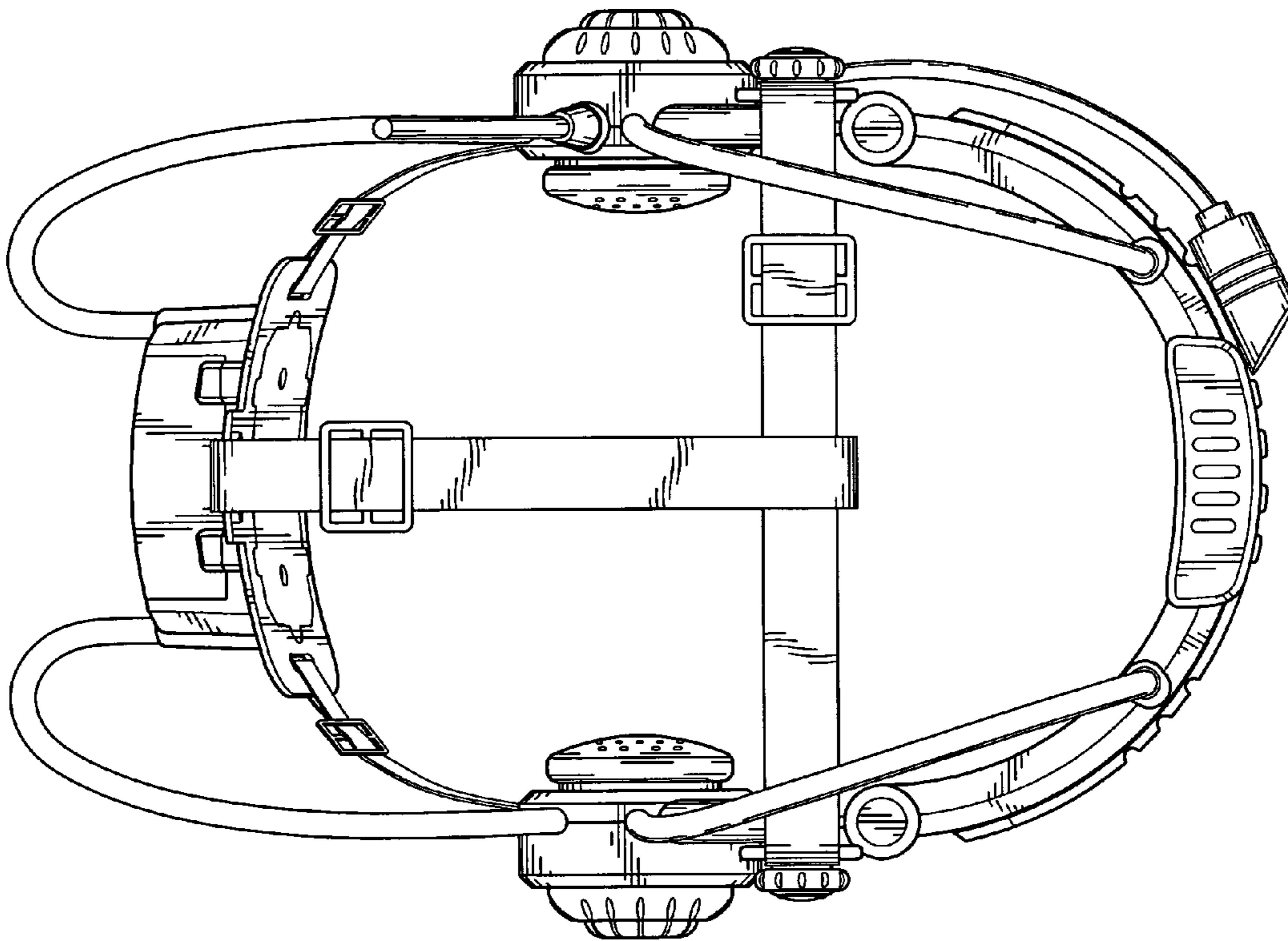


FIG. 4

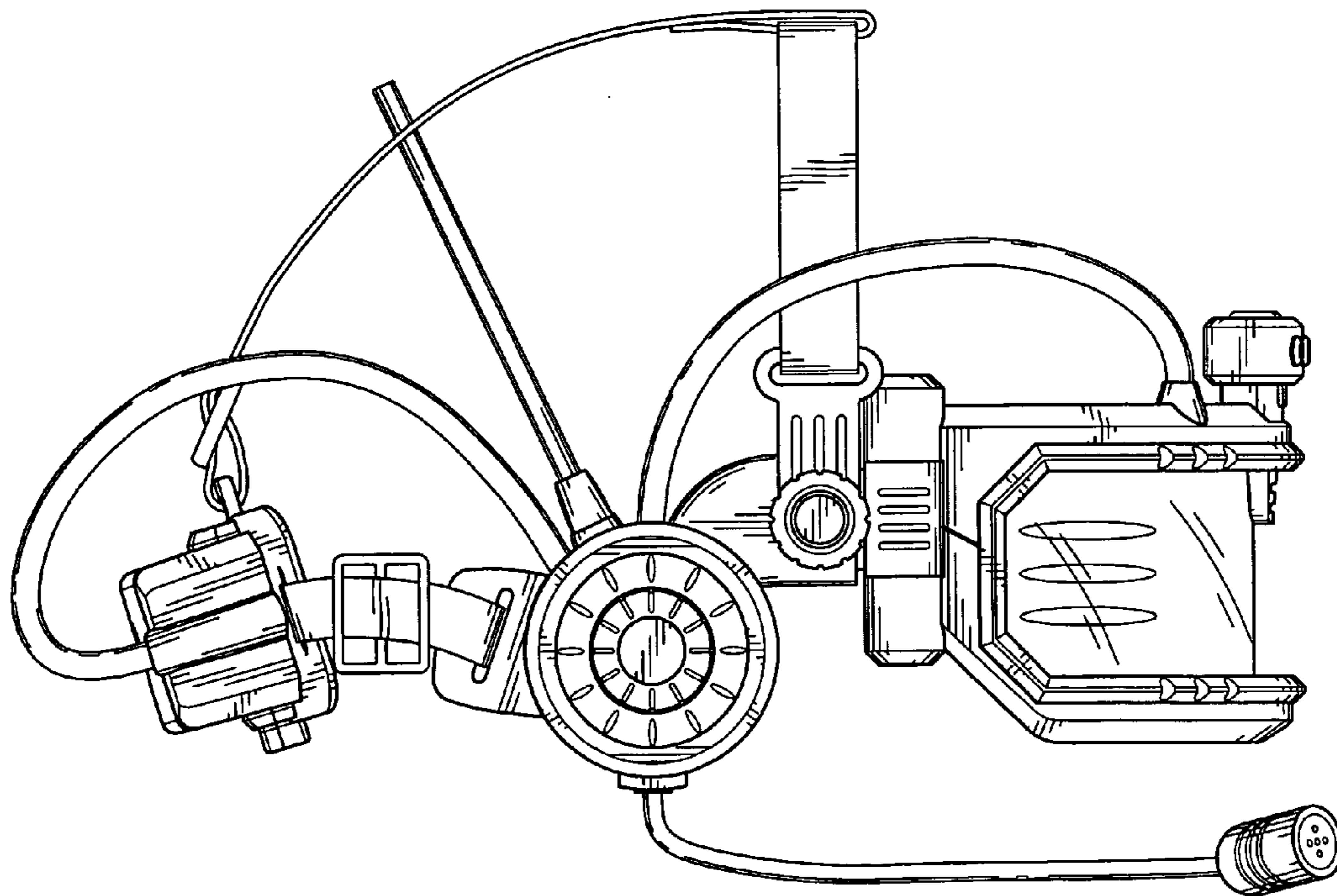


FIG. 5

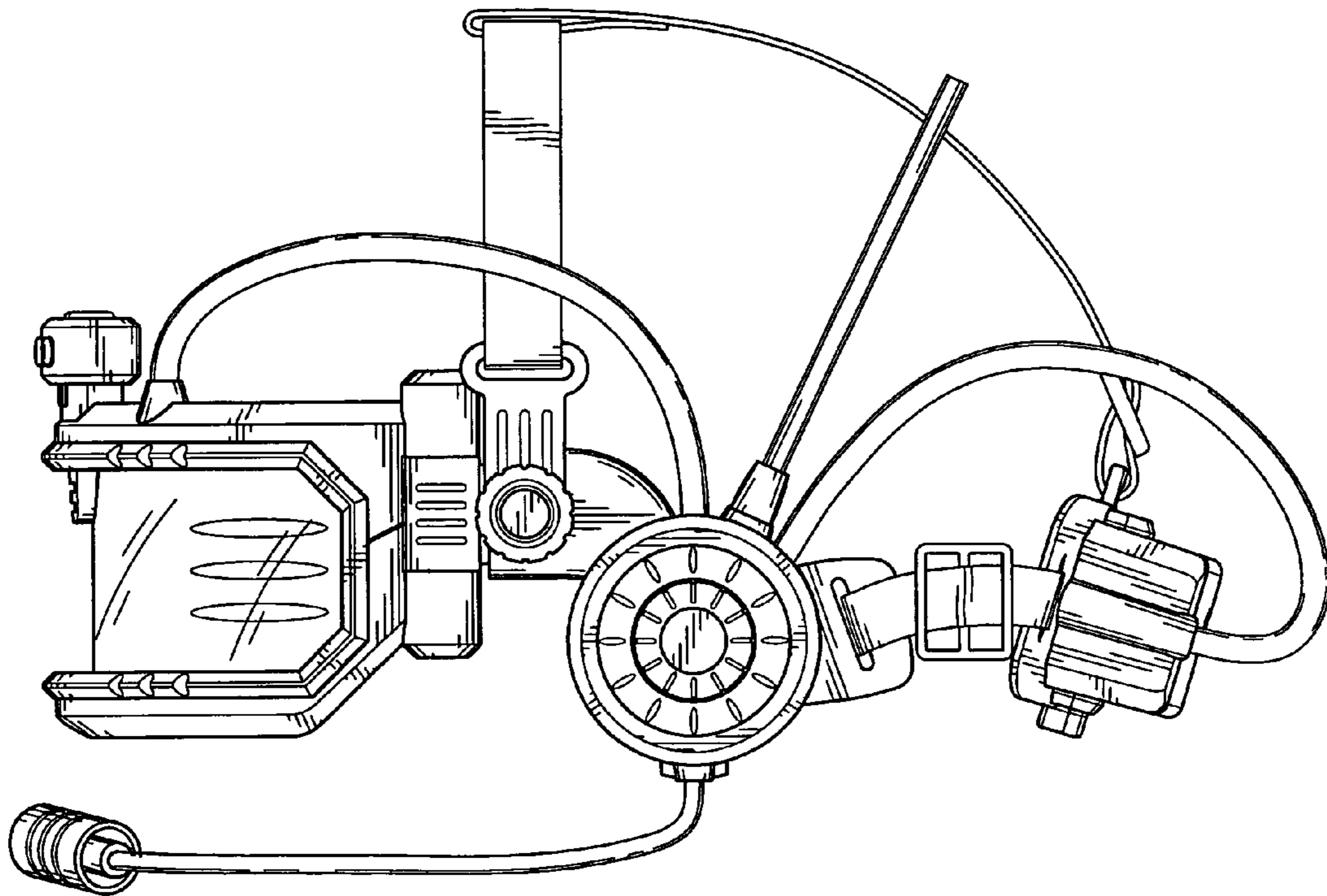


FIG. 6

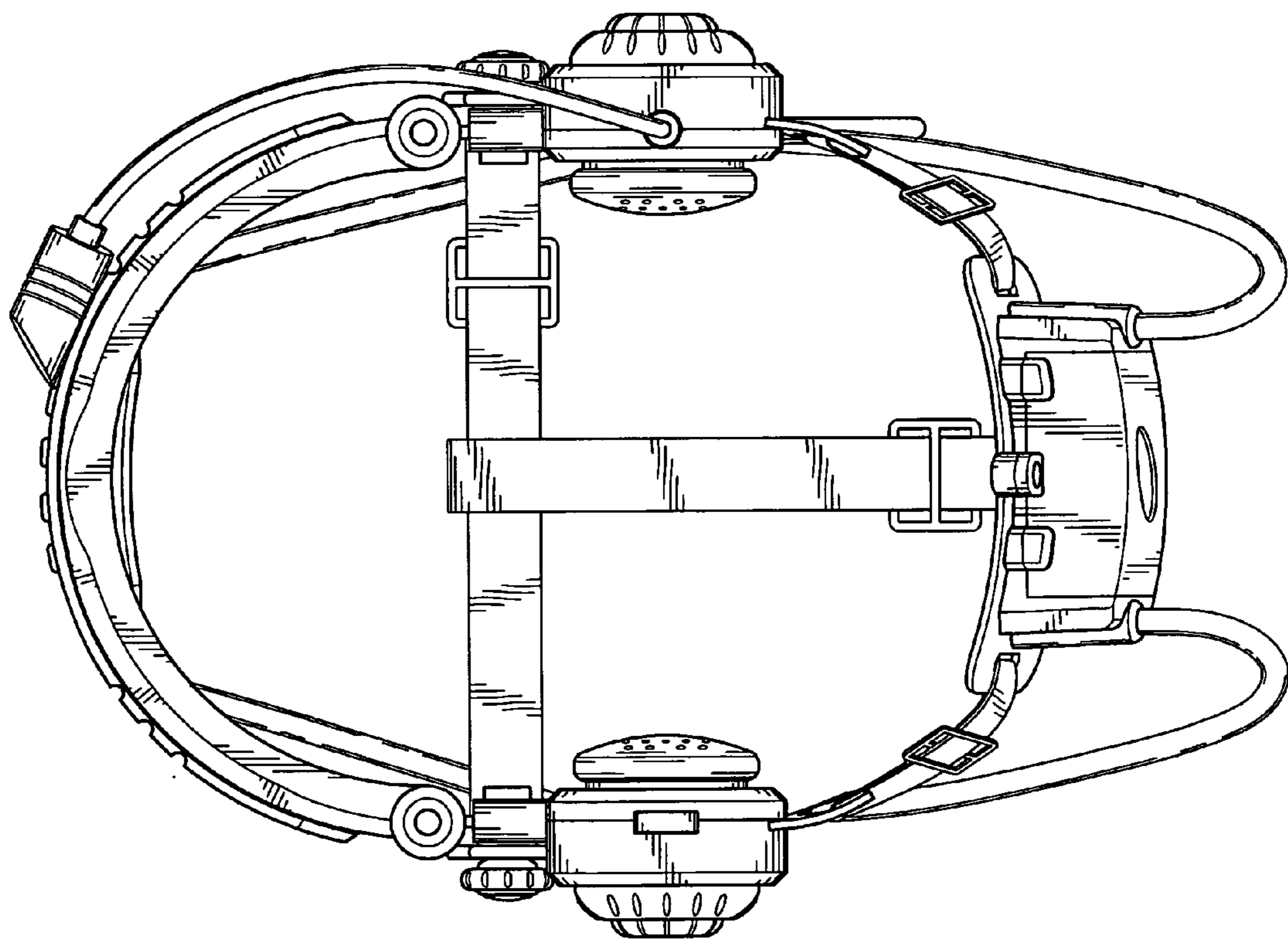


FIG. 7

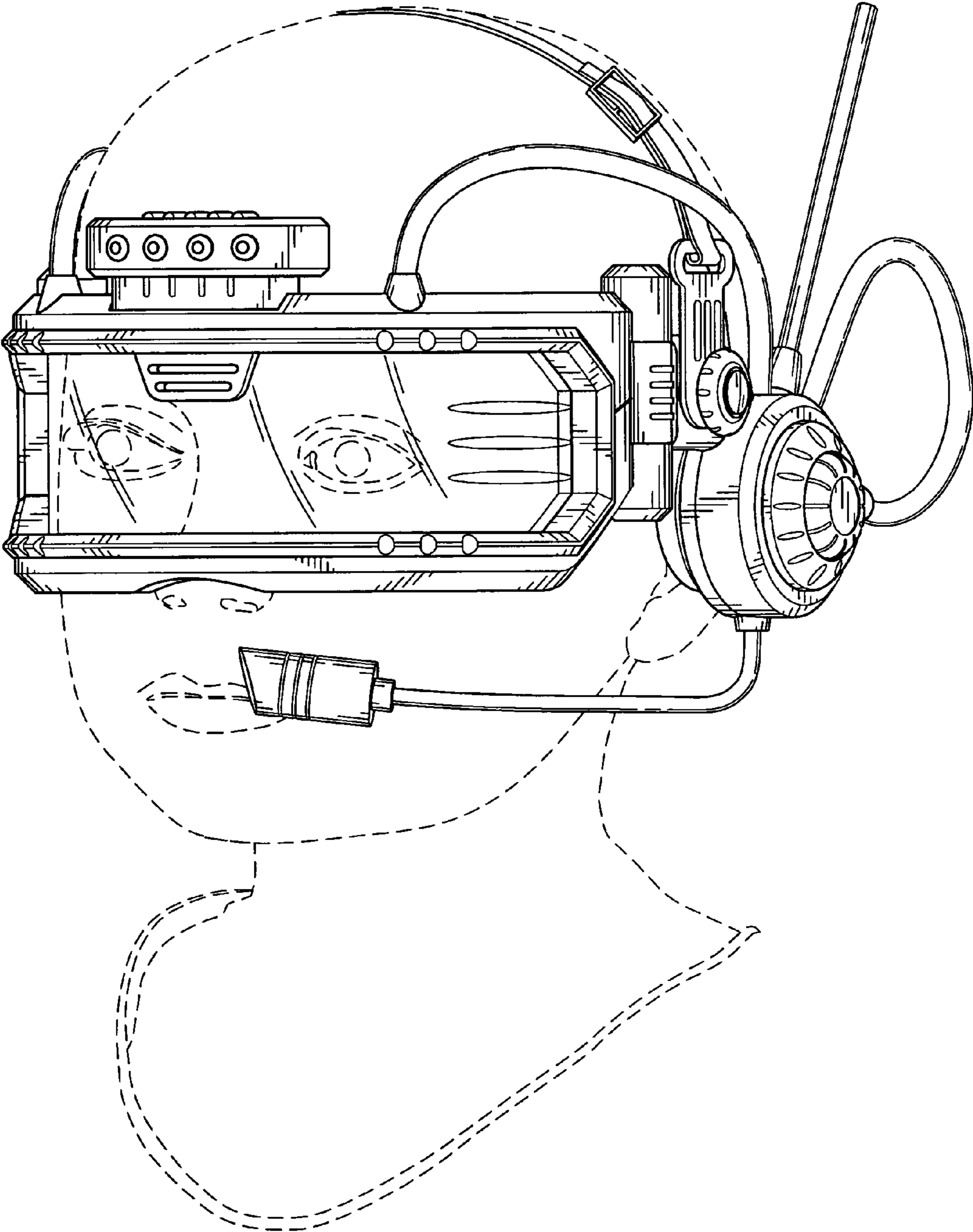


FIG.8