



US00D601640S

(12) **United States Design Patent**
McIlvain et al.

(10) **Patent No.:** **US D601,640 S**
(45) **Date of Patent:** **** Oct. 6, 2009**

(54) **PARTIAL CHASSIS FOR A CHILDREN'S RIDE-ON VEHICLE**

FOREIGN PATENT DOCUMENTS

WO WO 97/15473 5/1997

(75) Inventors: **Scott H. McIlvain**, Holland, NY (US);
Domenic T. Gubitosi, East Aurora, NY (US)

OTHER PUBLICATIONS

Fisher-Price Core & Friends Products 2006 catalog, p. 93, Jan. 11, 2006.

(73) Assignee: **Mattel, Inc.**, El Segundo, CA (US)

(Continued)

(**) Term: **14 Years**

Primary Examiner—Holly Baynham

Assistant Examiner—Cynthia M Chin

(21) Appl. No.: **29/334,738**

(74) *Attorney, Agent, or Firm*—Dascenzo Intelectual Property Law, P.C.

(22) Filed: **Mar. 31, 2009**

(51) **LOC (9) Cl.** **21-01**

(52) **U.S. Cl.** **D21/433**

(58) **Field of Classification Search** D21/419,
D21/424–427, 433, 434, 533, 536, 548–551,
D21/562; D12/87–88, 108; 446/160, 447,
446/428, 456, 465, 470; 280/124.11, 124.135,
280/827, 828, 87.01, 87.021, 87.03, 93.507,
280/775, 259, 282; 180/11, 54.1, 56, 65.1,
180/89.1, 227, 311, 350, 357

See application file for complete search history.

(57) **CLAIM**

The ornamental design for a partial chassis for a children's ride-on vehicle, as shown and described.

DESCRIPTION

FIG. 1 is a top-left-front perspective view of a partial chassis for a children's ride-on vehicle.

FIG. 2 is top-right-rear perspective view of the partial chassis for a children's ride-on vehicle of FIG. 1.

FIG. 3 is a top view of the partial chassis for a children's ride-on vehicle of FIG. 1.

FIG. 4 is a left side view of the partial chassis for a children's ride-on vehicle of FIG. 1.

FIG. 5 is a right side view of the partial chassis for a children's ride-on vehicle of FIG. 1.

FIG. 6 is a front view of the partial chassis for a children's ride-on vehicle of FIG. 1; and,

FIG. 7 is a rear view of the partial chassis for a children's ride-on vehicle of FIG. 1.

The dash-double-dot lines shown in the drawings are for illustrative purposes only and form no part of the claimed design.

The shading lines shown in the drawings represent the three-dimensional contour of the design, and are not intended to indicate surface decoration.

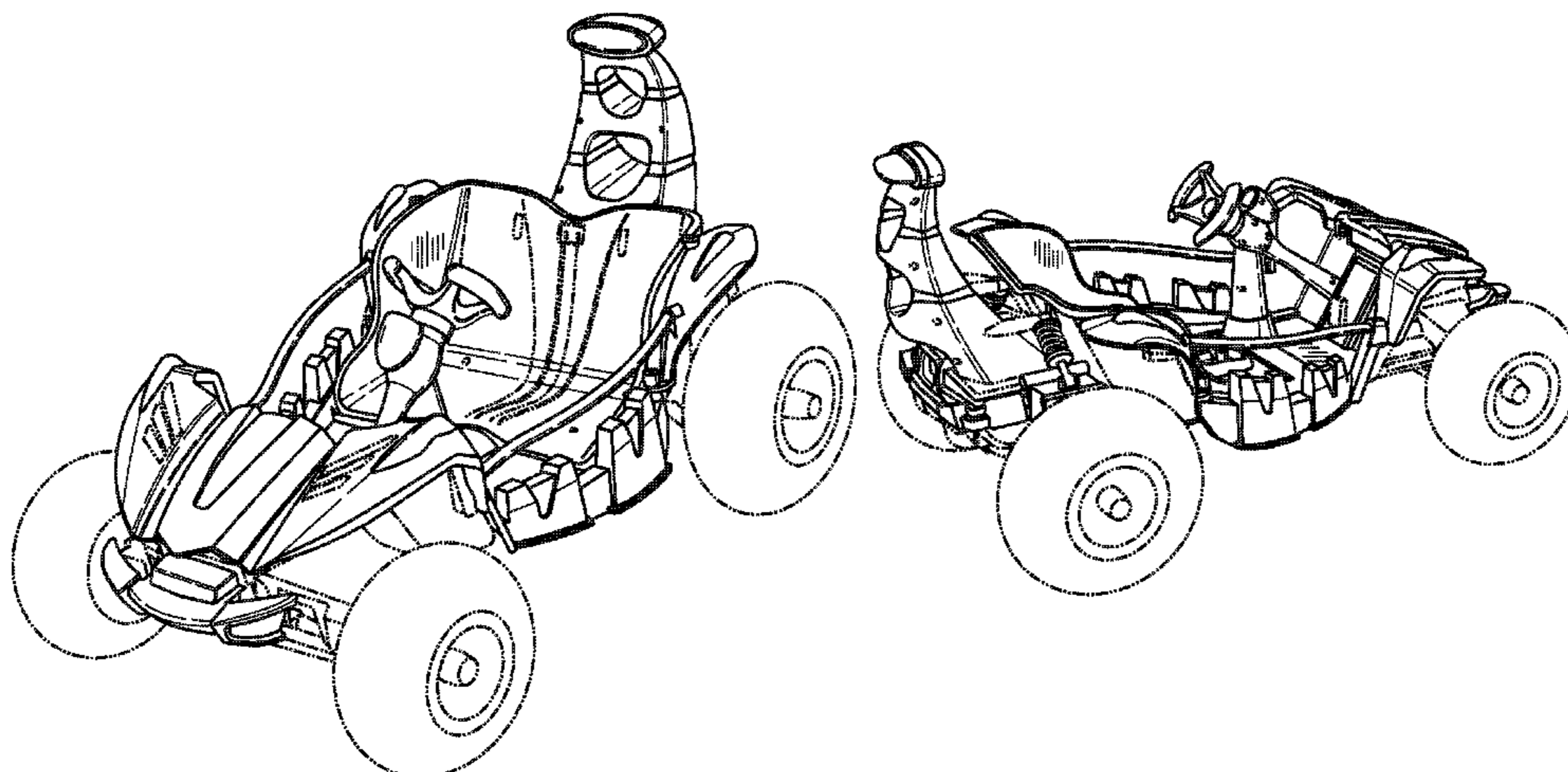
(56) **References Cited**

U.S. PATENT DOCUMENTS

1,415,372 A	5/1922	Leoni
D189,746 S	2/1961	Kurtis
2,973,220 A	2/1961	White
3,022,846 A	2/1962	Thompson
D193,472 S	8/1962	Stevens et al.
D193,706 S	10/1962	Davies
3,115,350 A	12/1963	Quick, Jr.
3,533,484 A	10/1970	Wood, Jr.
3,557,894 A	1/1971	Hanley et al.
3,632,156 A	1/1972	Schweser
3,656,571 A	4/1972	Canfield
3,664,450 A	5/1972	Udden et al.
3,799,283 A	3/1974	Freber

(Continued)

1 Claim, 4 Drawing Sheets



US D601,640 S

Page 2

U.S. PATENT DOCUMENTS

3,829,117 A	8/1974	Park	5,570,925 A	11/1996	Cohen
3,920,263 A	11/1975	Bundschuh	5,718,454 A	2/1998	Harrod
4,165,094 A	8/1979	Onda	5,740,878 A	4/1998	Sala
4,201,411 A	5/1980	Morgan	D412,138 S	7/1999	Triarsi et al.
4,359,231 A	11/1982	Mulcahy	5,921,341 A	7/1999	Atkins
4,361,338 A *	11/1982	Kuchenbecker et al. 280/828	5,931,524 A	8/1999	Jones, Jr.
4,484,646 A	11/1984	Smith	5,975,625 A	11/1999	Simplicean
4,516,648 A	5/1985	Berger et al.	6,026,923 A	2/2000	Uphaus
4,535,869 A	8/1985	Tsutsumikoshi et al.	6,039,335 A	3/2000	Sheridan
4,562,893 A	1/1986	Cunard	D424,630 S *	5/2000	Tasy D21/433
4,573,696 A	3/1986	Buroff	D426,270 S *	6/2000	Rubau D21/433
4,606,429 A	8/1986	Kurata	6,095,268 A	8/2000	Jones, Jr.
4,614,249 A	9/1986	Yamanaka	D432,186 S *	10/2000	Kuo D21/433
4,623,167 A	11/1986	Matsubayashi et al.	6,170,596 B1	1/2001	Triarsi et al.
4,629,023 A	12/1986	Carpanelli et al.	D438,146 S *	2/2001	Larson D21/539
4,639,646 A	1/1987	Harris et al.	6,349,786 B1	2/2002	Gift
4,645,257 A	2/1987	Salmon	6,357,817 B1	3/2002	Wu
4,648,650 A	3/1987	Fujii et al.	6,522,244 B2	2/2003	Huntsberger et al.
4,682,668 A	7/1987	Salmon et al.	D471,936 S *	3/2003	Tilbor et al. D21/433
4,709,958 A	12/1987	Harrod	6,631,925 B1	10/2003	Lawson, Jr.
4,790,552 A	12/1988	Lian	6,860,512 B2	3/2005	Lawson, Jr.
4,799,708 A	1/1989	Handa et al.	D503,952 S *	4/2005	Tung D21/433
D299,705 S	2/1989	Carpanelli et al.	6,918,627 B2	7/2005	Mataja et al.
4,896,899 A	1/1990	Lawrence	7,055,889 B2	6/2006	Mataja et al.
4,924,959 A	5/1990	Handa et al.	7,059,661 B2	6/2006	Mataja et al.
5,054,842 A	10/1991	Ishiwatari et al.	7,100,968 B2	9/2006	Mataja et al.
RE33,769 E	12/1991	Harrod	7,287,797 B1	10/2007	Belloso
5,078,223 A	1/1992	Ishiwatari et al.	7,328,764 B2	2/2008	Penz
5,094,313 A	3/1992	Mauws	7,374,190 B2	5/2008	Hong
5,106,150 A	4/1992	Litwicki	2001/0014569 A1	8/2001	Baker
5,193,879 A	3/1993	Chen	2002/0017418 A1	2/2002	Korenjack et al.
5,265,690 A	11/1993	Amundsen et al.	2007/0290497 A1	12/2007	Arendt et al.
5,294,153 A	3/1994	Nolan			
5,307,890 A	5/1994	Huang			
5,409,263 A	4/1995	Klawitter			
D368,743 S *	4/1996	Amburgey et al. D12/108			

OTHER PUBLICATIONS

MicroKart GS41 Model Owner's Manual, 2003.

* cited by examiner

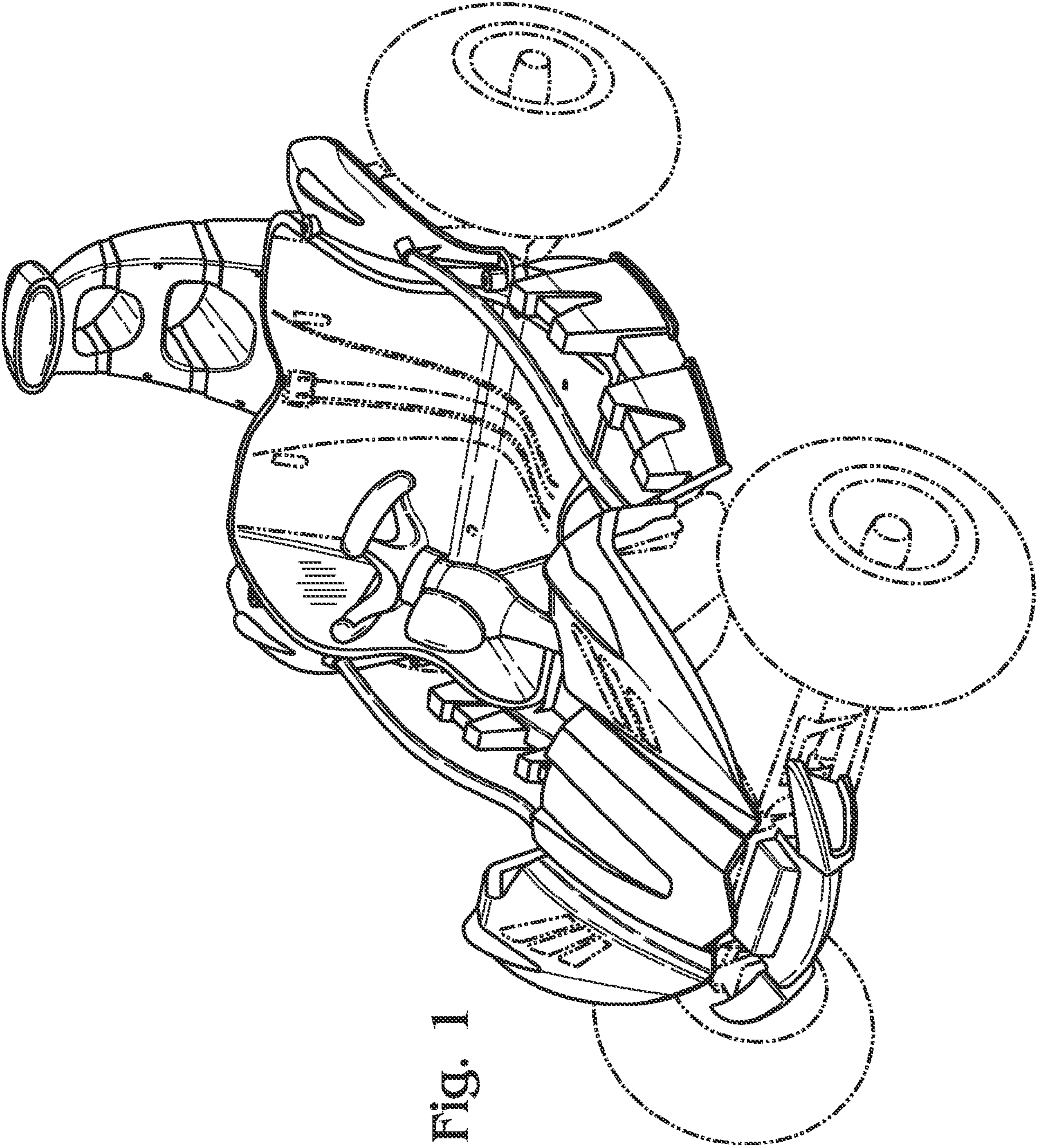


Fig. 1

Fig. 2

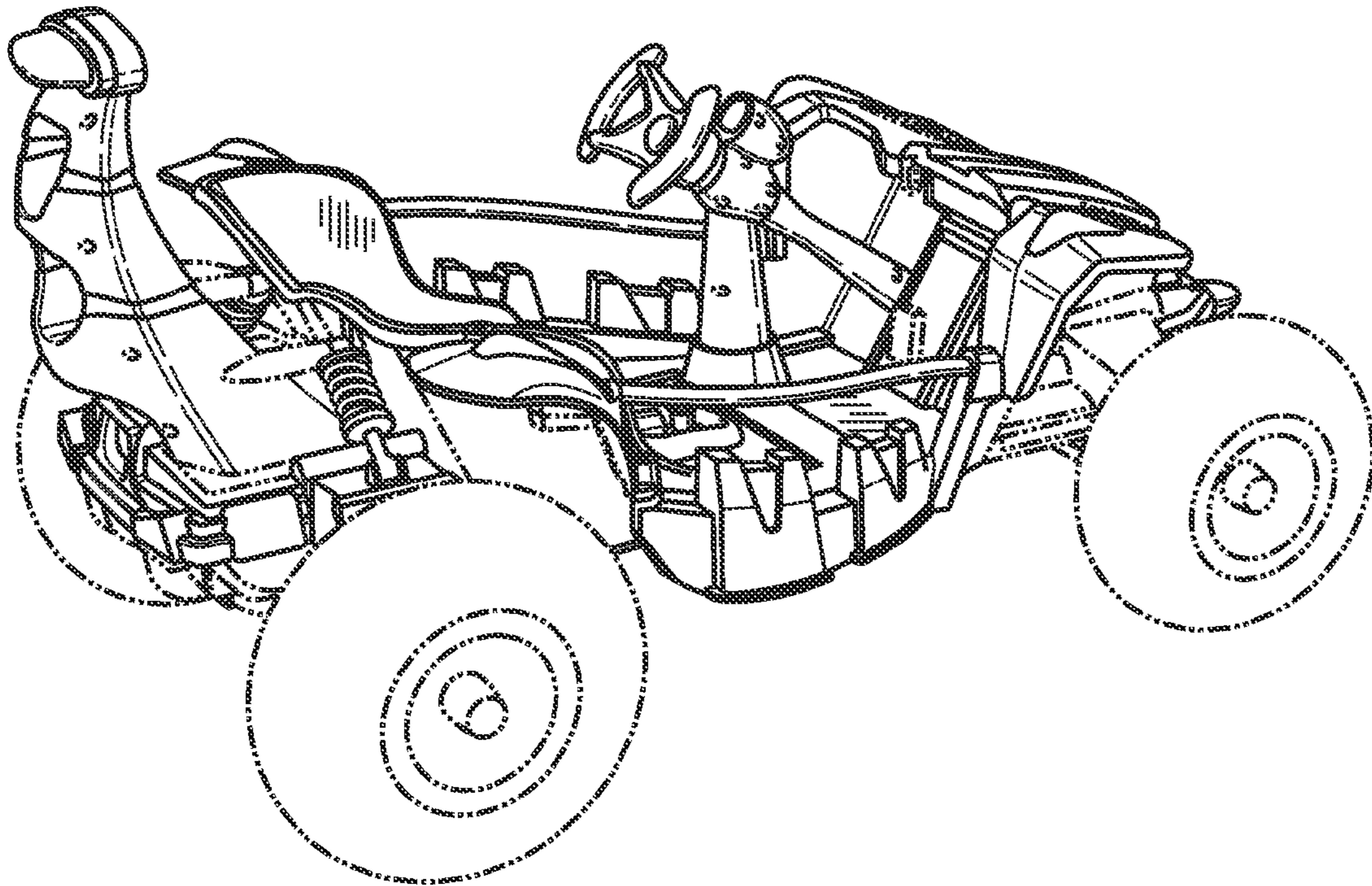


Fig. 3

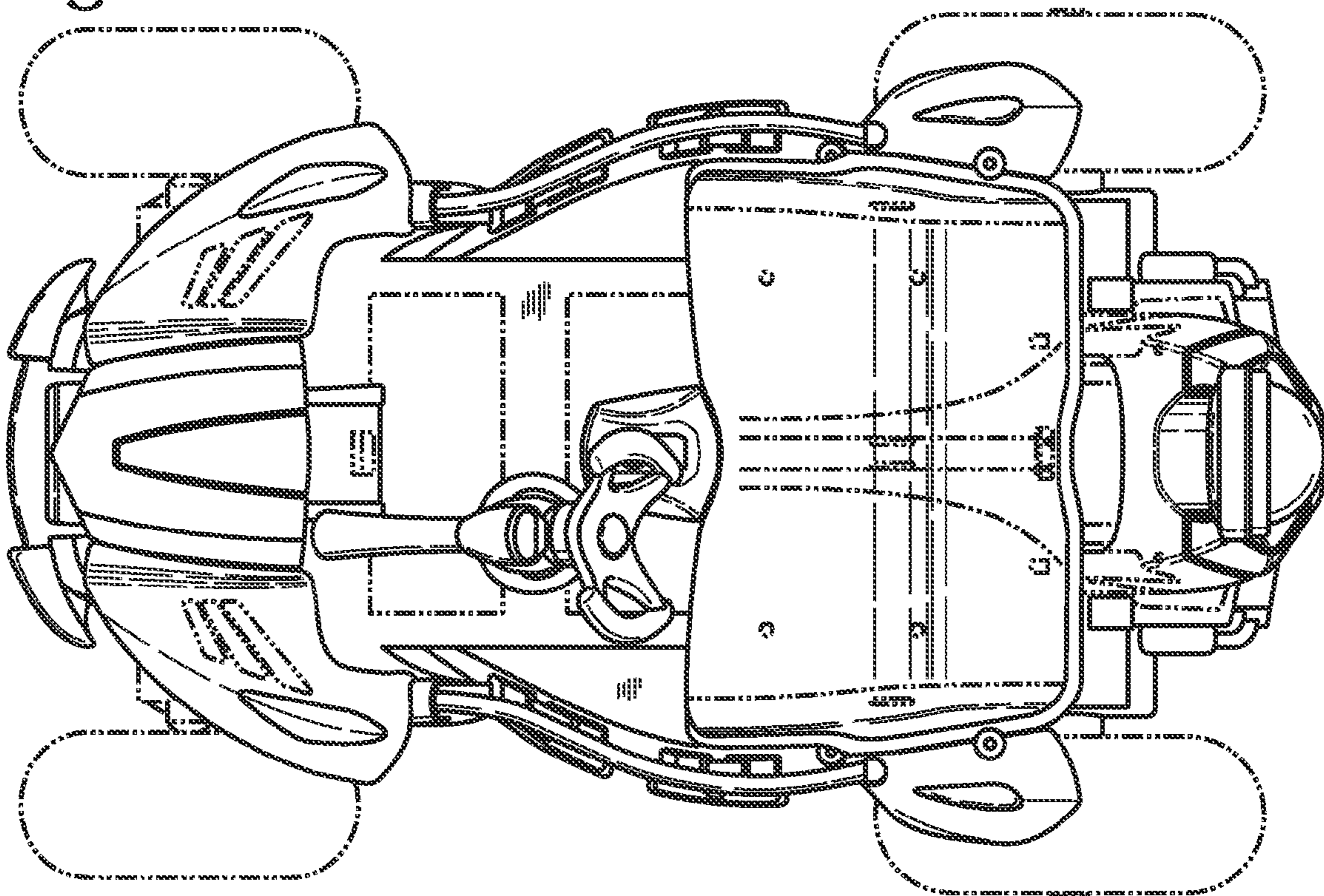


Fig. 4

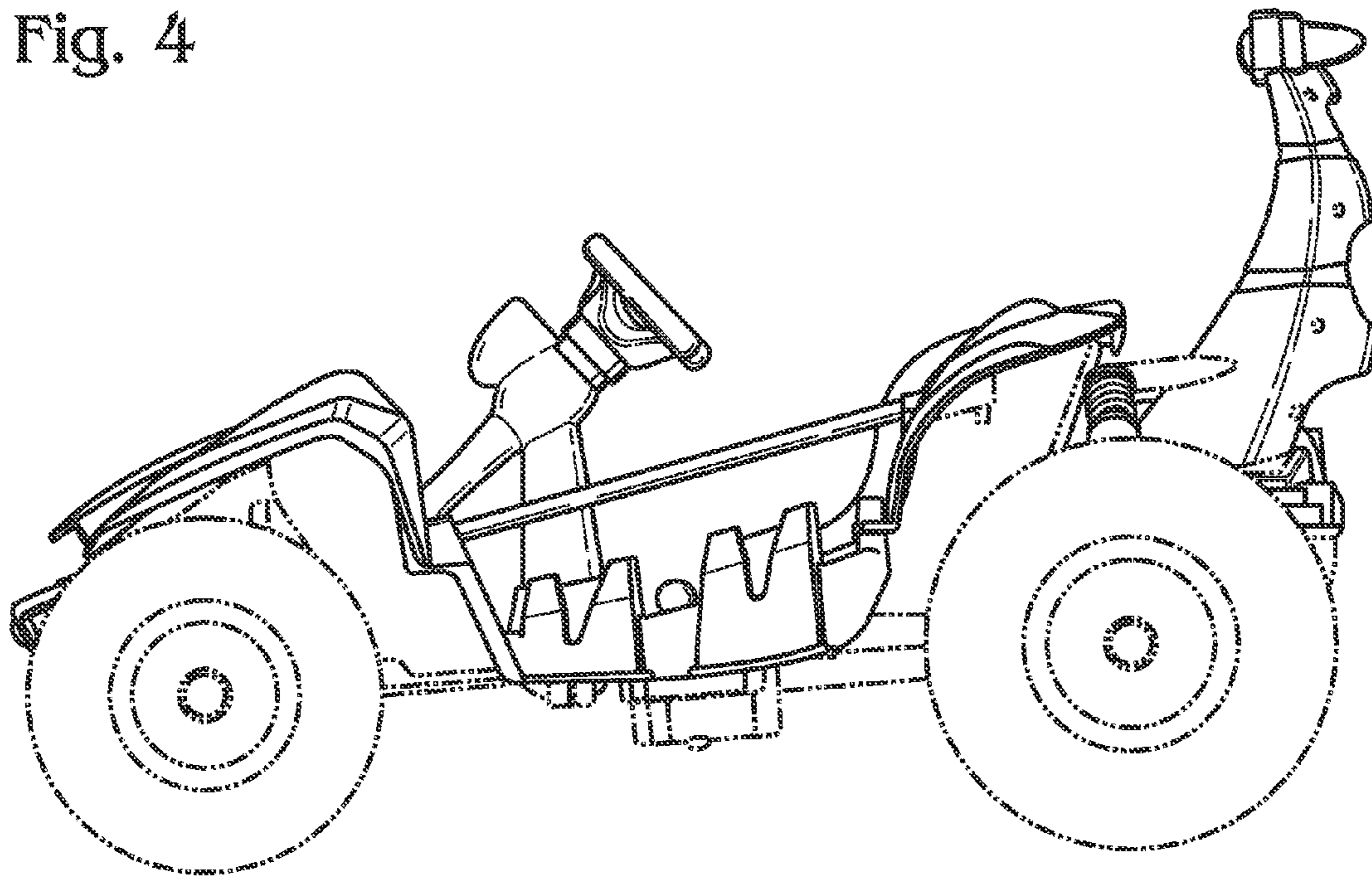


Fig. 5

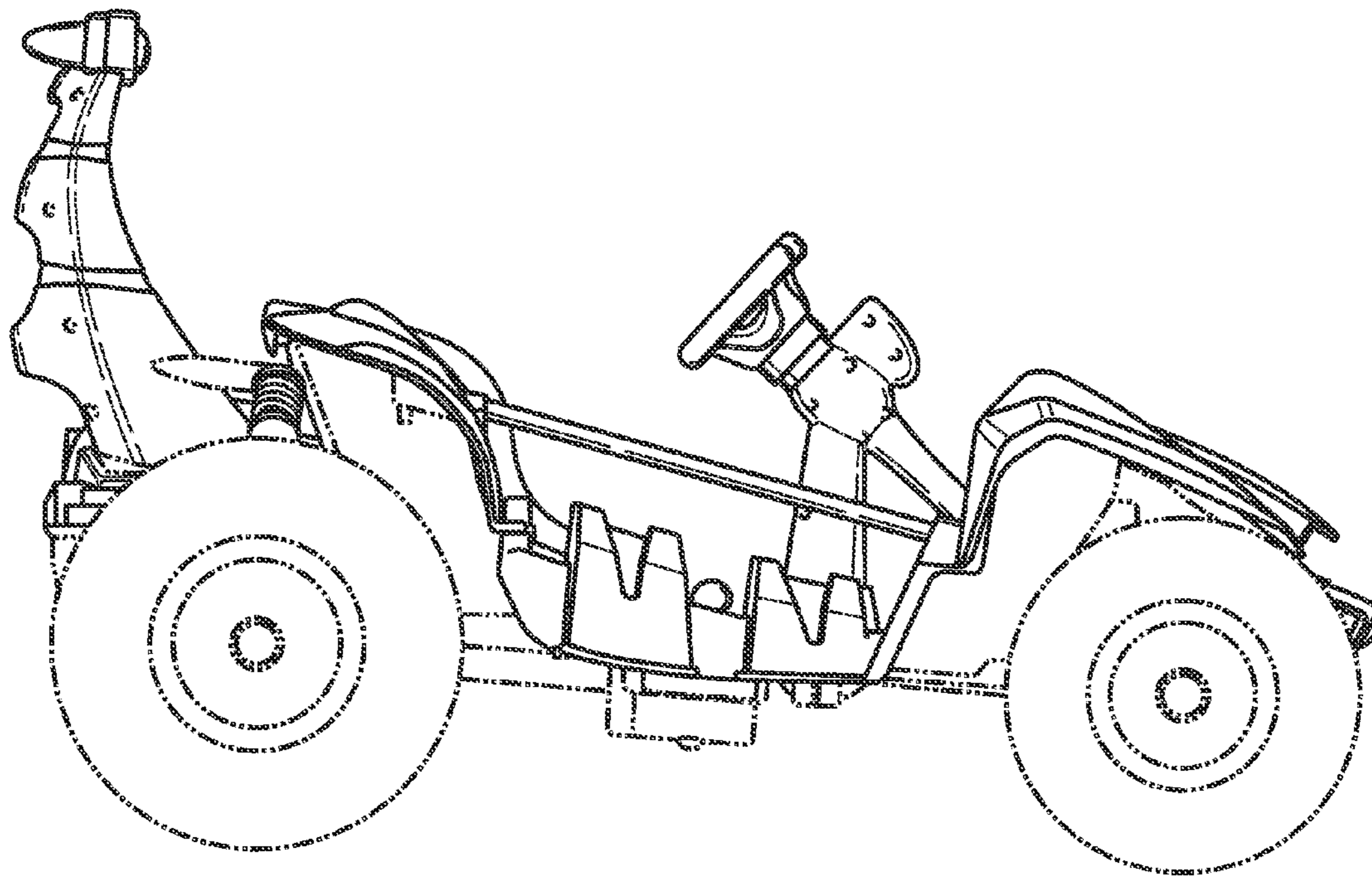


Fig. 6

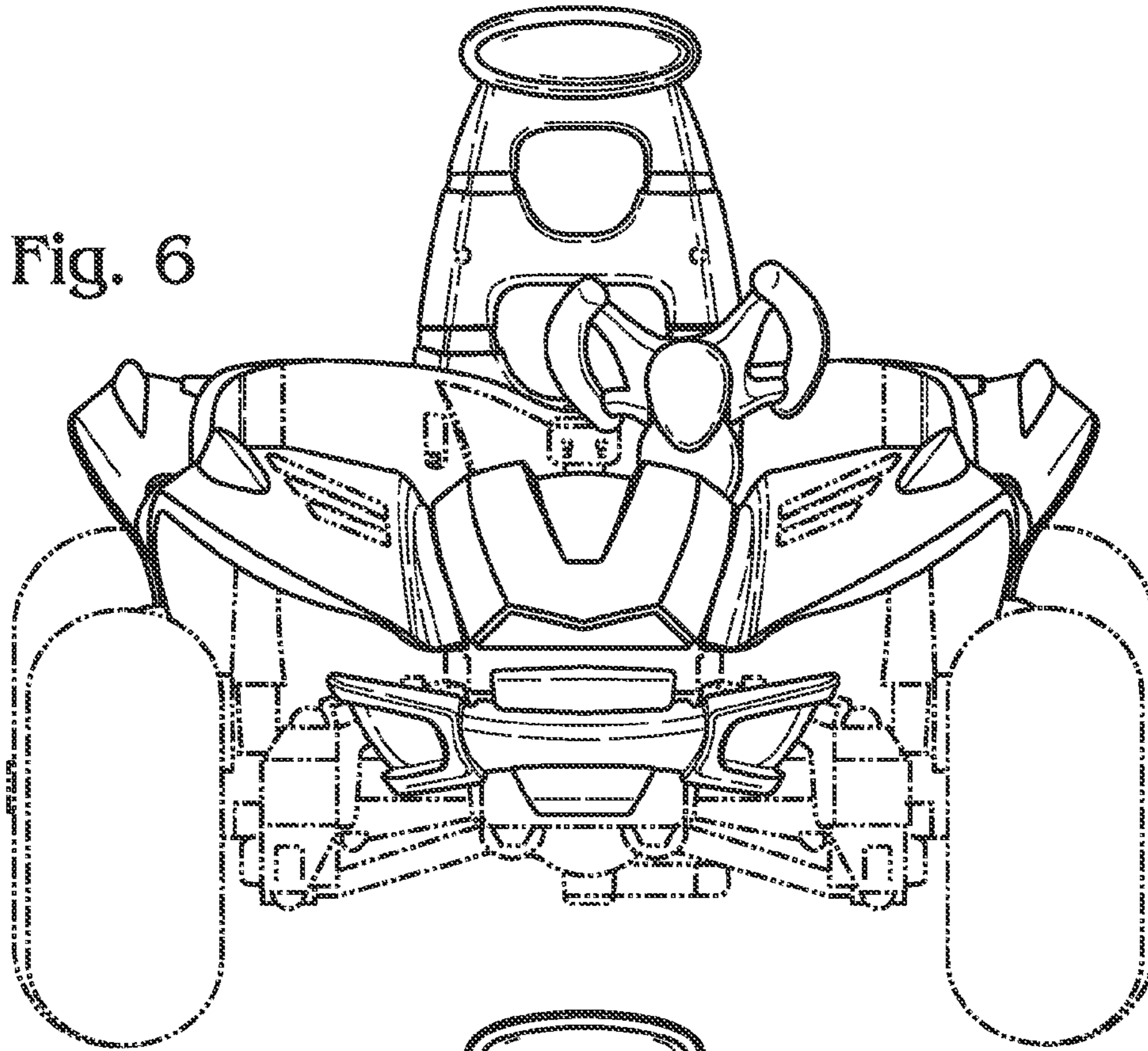


Fig. 7

