



US00D601639S

(12) **United States Design Patent**
McComb et al.

(10) **Patent No.:** **US D601,639 S**

(45) **Date of Patent:** **** Oct. 6, 2009**

(54) **PANEL FOR A GAMING MACHINE CABINET**

(75) Inventors: **Ryan D. McComb**, Grand Rapids, MI (US); **Brian M. Anderson**, Grand Rapids, MI (US)

(73) Assignee: **SPEC International, Inc.**, Grand Rapids, MI (US)

(**) Term: **14 Years**

(21) Appl. No.: **29/337,149**

(22) Filed: **May 15, 2009**

Related U.S. Application Data

(62) Division of application No. 29/298,318, filed on Dec. 3, 2007, now Pat. No. Des. 592,709.

(51) **LOC (9) Cl.** **21-01**

(52) **U.S. Cl.** **D21/385; D21/370**

(58) **Field of Classification Search** D14/306; D21/325, 329, 333, 369-370, 385; 463/12, 463/16-17, 20, 25, 29, 40, 46-47; D25/162
See application file for complete search history.

(56) **References Cited**

U.S. PATENT DOCUMENTS

D495,754 S 9/2004 Wurz et al.
D495,755 S 9/2004 Wurz et al.

D521,075 S 5/2006 Gauselmann
D525,665 S * 7/2006 Karlsson D21/369
D557,348 S 12/2007 Gutknecht et al.
D563,481 S 3/2008 Looks et al.
D578,168 S * 10/2008 Looks et al. D21/369

* cited by examiner

Primary Examiner—Sandra Morris

(74) *Attorney, Agent, or Firm*—Price, Heneveld, Cooper, DeWitt & Litton, LLP

(57) **CLAIM**

The ornamental design for a panel for a gaming machine cabinet, as shown and described.

DESCRIPTION

FIG. 1 is an isometric view of a panel for a gaming machine cabinet, showing our new design;

FIG. 2 is a front elevational view;

FIG. 3 is a right-hand side elevational view;

FIG. 4 is a left-hand side elevational view;

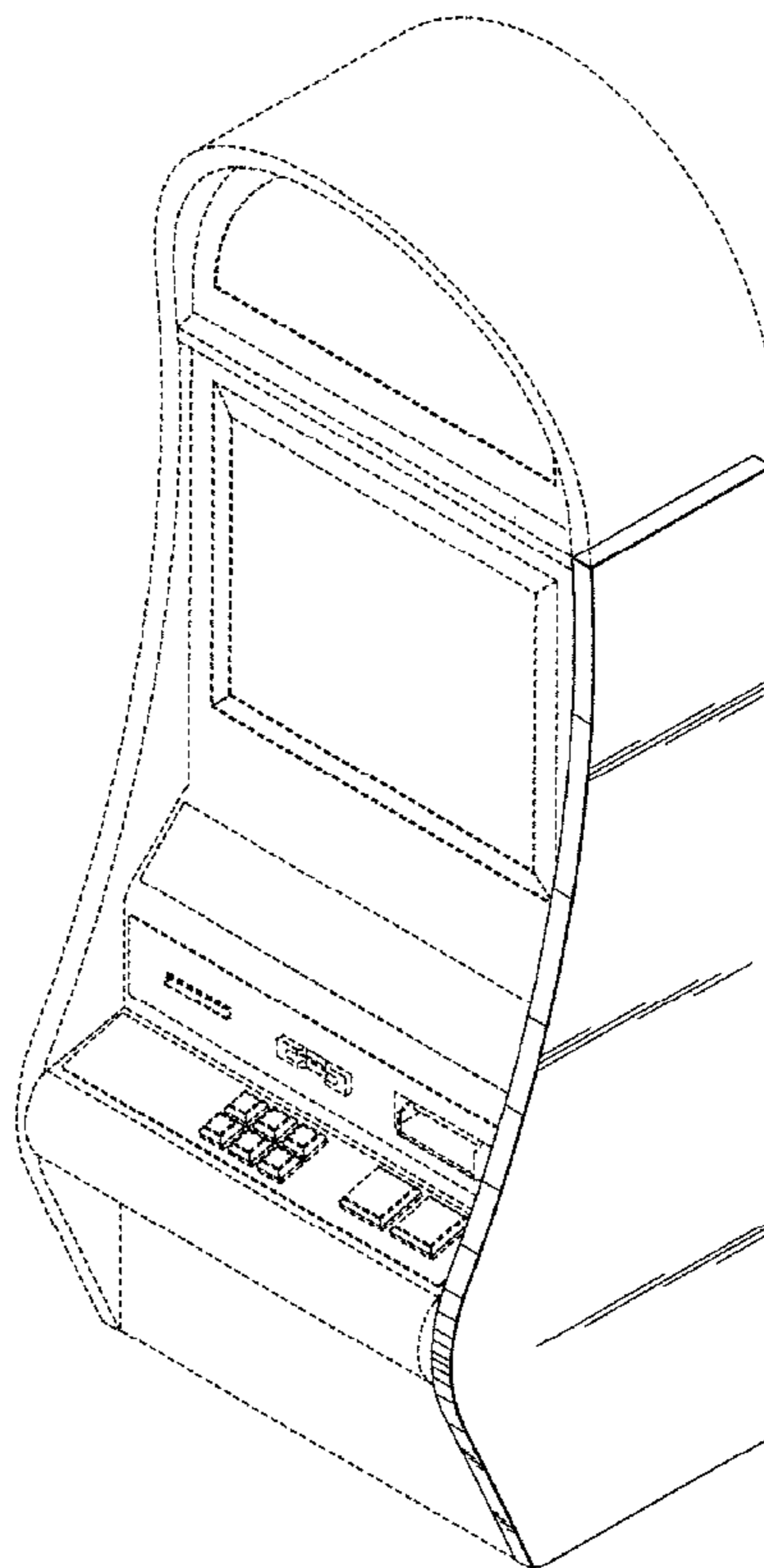
FIG. 5 is a top plan view;

FIG. 6 is a bottom plan view; and,

FIG. 7 is a rear elevational view thereof.

The dashed lines in the figures show the environment of the present design and are not part of the present design.

1 Claim, 7 Drawing Sheets



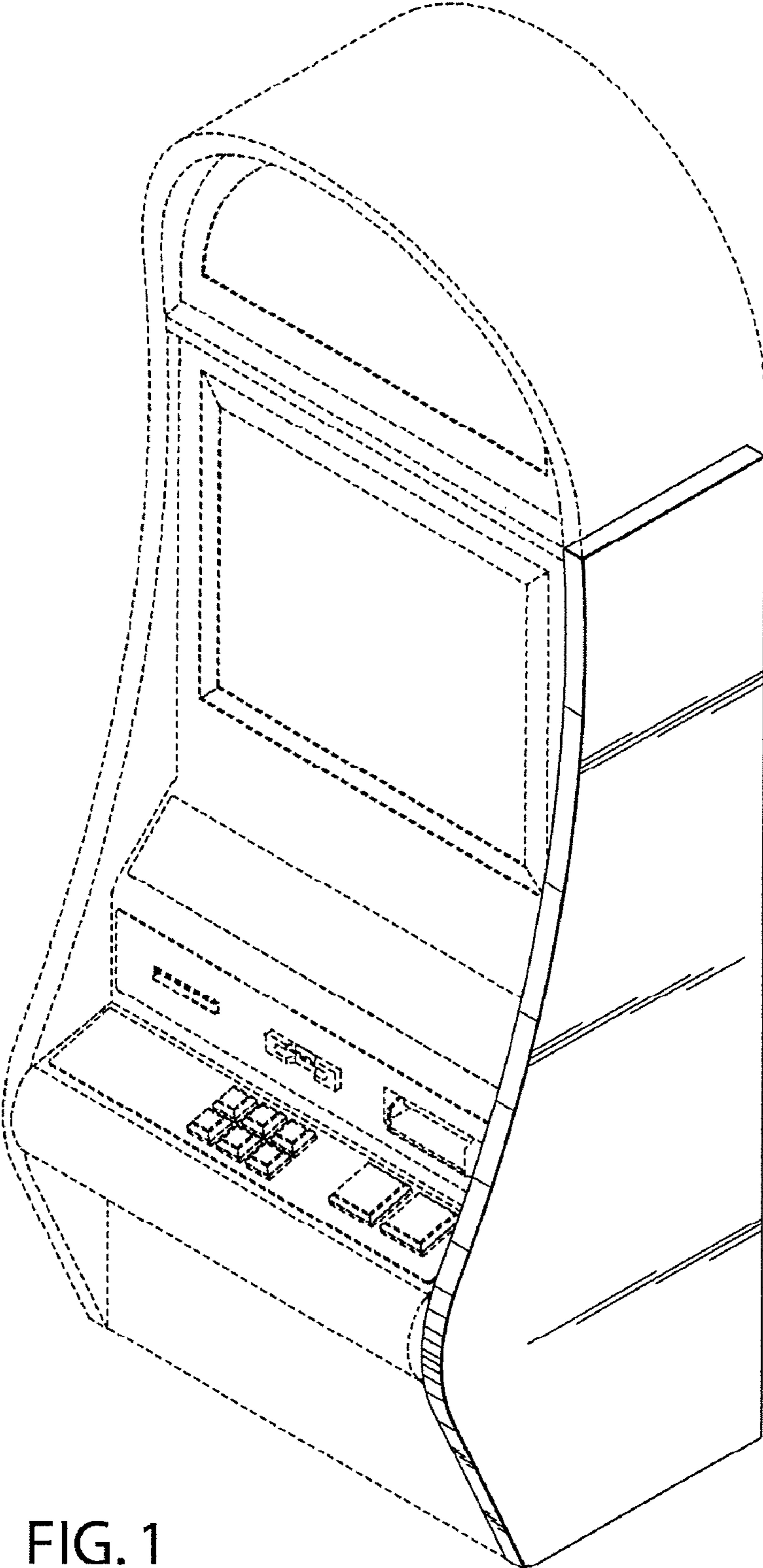


FIG. 1

FIG. 2

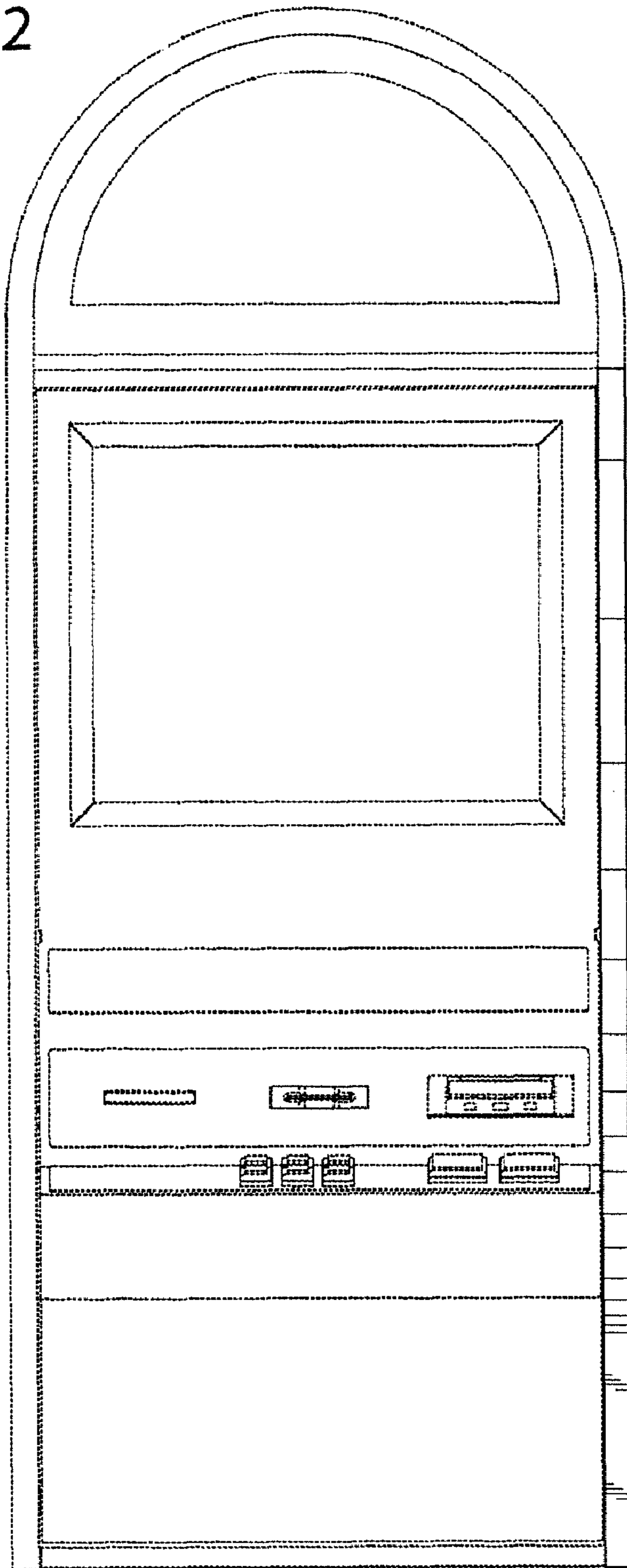


FIG. 3

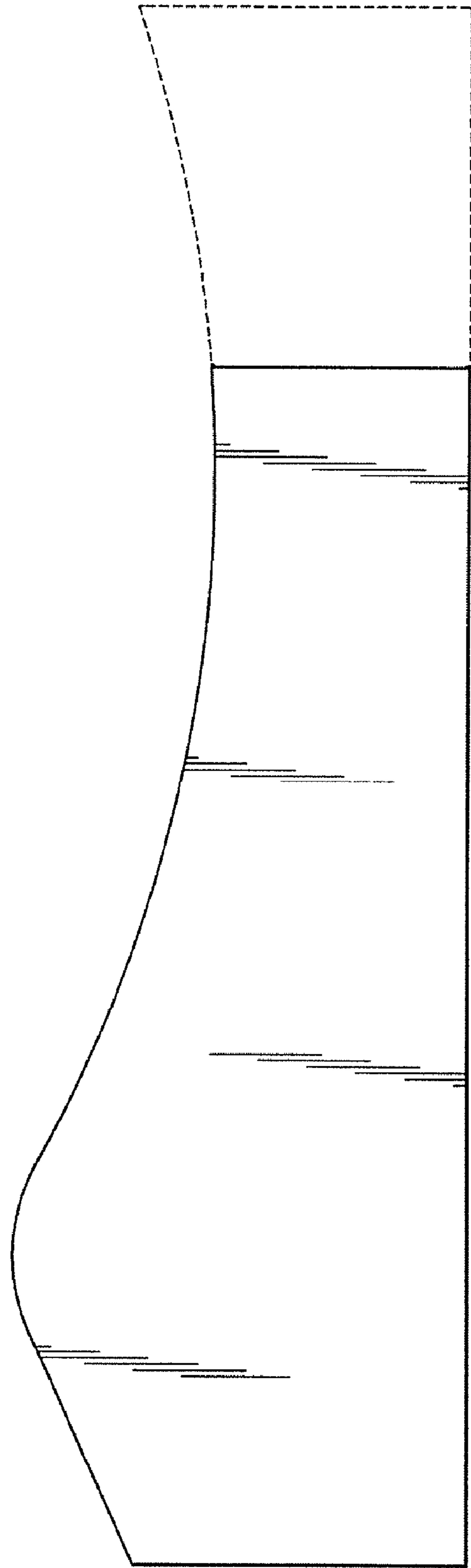


FIG. 4

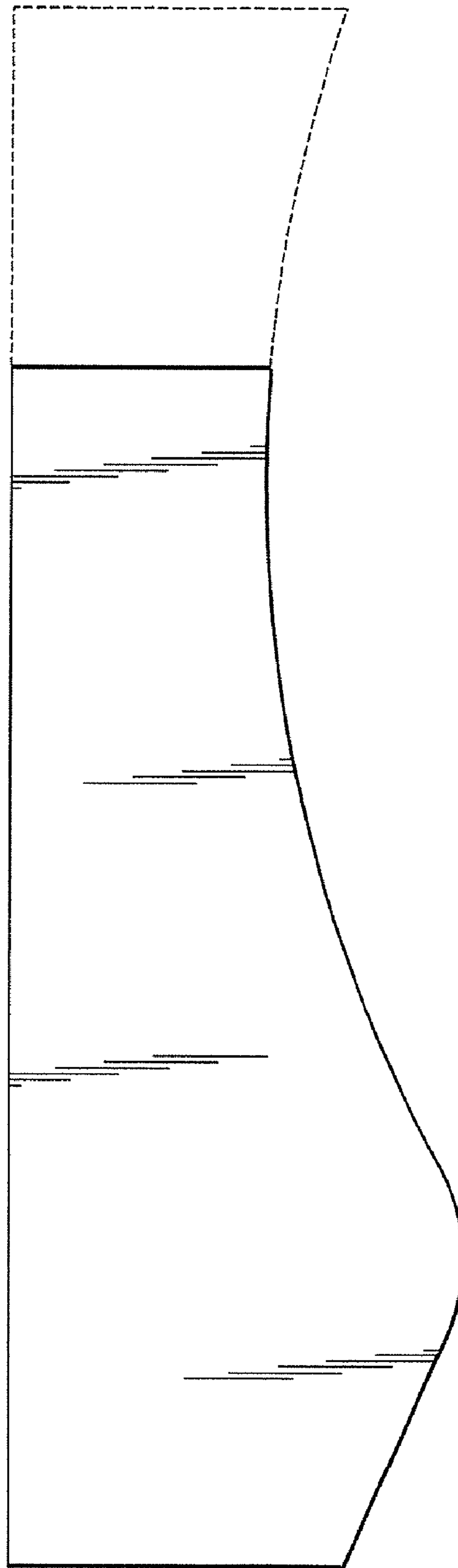


FIG. 5

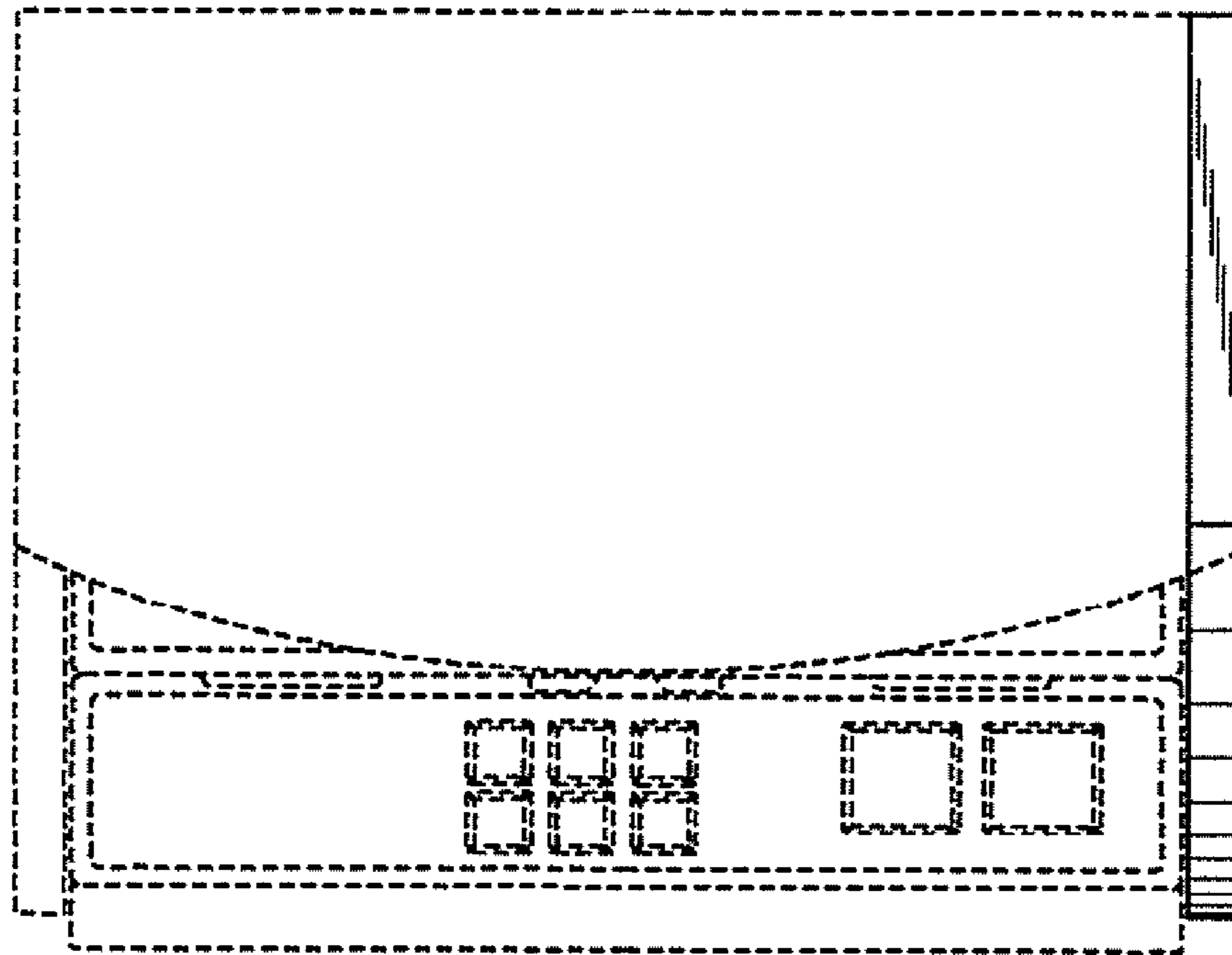


FIG. 6

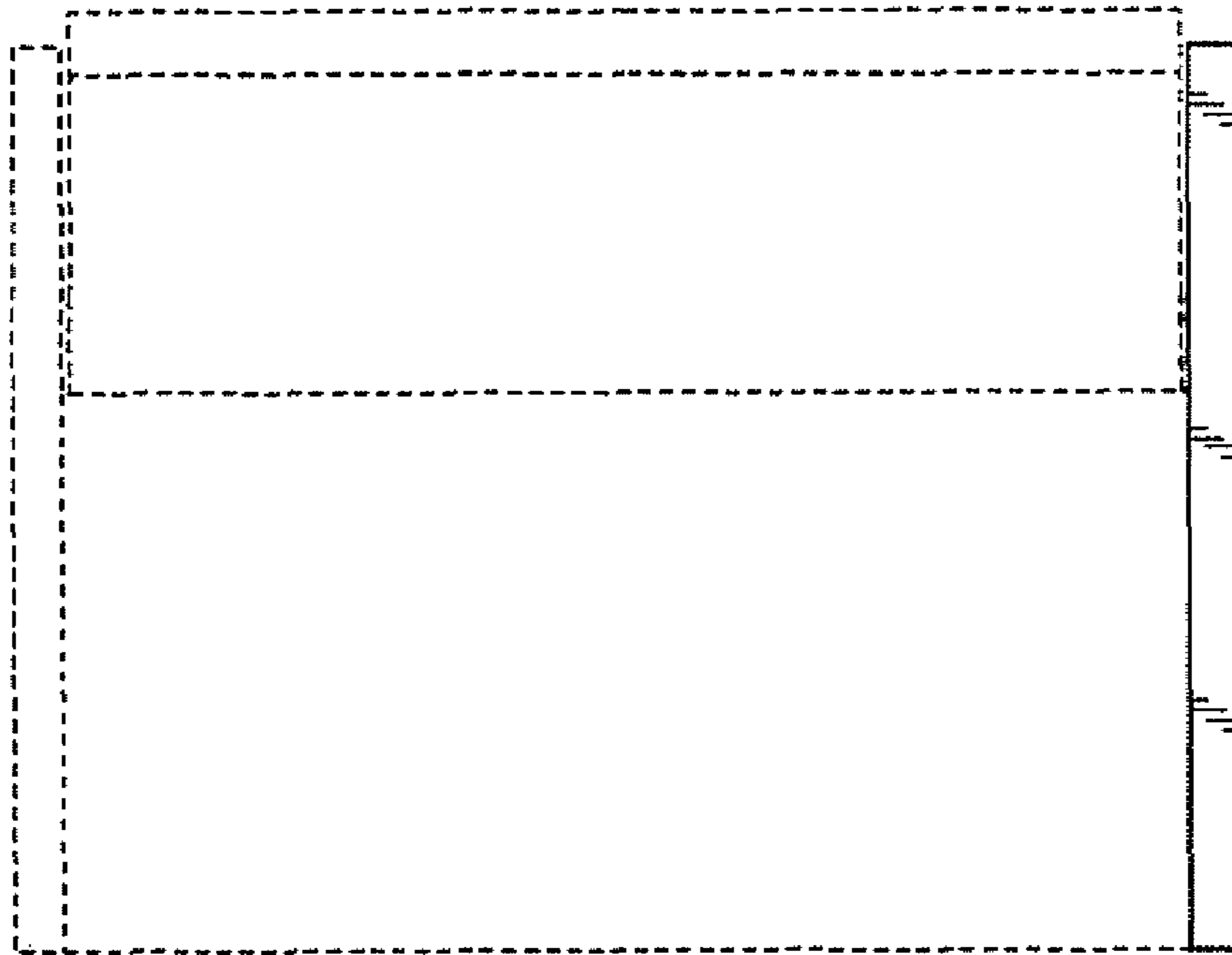


FIG. 7

