



US00D601632S

(12) **United States Design Patent**
Goodman et al.

(10) **Patent No.:** **US D601,632 S**
(45) **Date of Patent:** **** Oct. 6, 2009**

(54) **WALL-MOUNT LETTER HOLDER**

(75) Inventors: **Sheldon H. Goodman**, Solon, OH (US);
Justin J. Myers, Strongsville, OH (US)
(73) Assignee: **Spectrum Diversified Designs, Inc.**,
Streetsboro, OH (US)

(**) Term: **14 Years**
(21) Appl. No.: **29/278,744**
(22) Filed: **Apr. 9, 2007**

(51) **LOC (9) Cl.** **19-02**
(52) **U.S. Cl.** **D19/90**
(58) **Field of Classification Search** D3/306;
D6/512, 513, 514, 525, 566, 569; D7/600.1,
D7/600.3, 600.4, 701, 704; D19/75, 78,
D19/86, 90, 91, 100; 211/90.03, 106, 112,
211/126.8, 126.9, 126.11, 126.12, 126.13,
211/181.1; 248/302, 441.1, 450, 465.1
See application file for complete search history.

(56) **References Cited**

U.S. PATENT DOCUMENTS

| | | | | | |
|-----------|-----|---------|-----------------|-------|----------|
| 2,903,137 | A * | 9/1959 | Brown | | 211/26 |
| 3,115,252 | A * | 12/1963 | Scnical | | 211/55 |
| D220,438 | S * | 4/1971 | Gross | | D6/566 |
| D339,942 | S * | 10/1993 | Emalfarb et al. | | D6/513 |
| 5,460,279 | A * | 10/1995 | Emery et al. | | 211/106 |
| 5,477,967 | A * | 12/1995 | Voorhees et al. | | 211/55 |
| D396,346 | S * | 7/1998 | Hoernig | | D3/306 |
| D452,533 | S * | 12/2001 | Goodman et al. | | D19/90 |
| D463,697 | S * | 10/2002 | Klein et al. | | D6/514 |
| D568,116 | S * | 5/2008 | Goodman et al. | | D7/600.4 |

OTHER PUBLICATIONS

Wall Mounted Letter Holder with Hooks, with 1-bin and 3-bin versions, as shown on www.amazon.com, dated Nov. 1, 2000 (4 pages).*
Spectrum Diversified 31770CAT Chrome with M Letter Holder 3-Tier, as shown on www.amazon.com, dated Jun. 18, 2008 (3 pages).*

* cited by examiner

Primary Examiner—Elizabeth A Albert
Assistant Examiner—Karen E Eldridge Powers
(74) *Attorney, Agent, or Firm*—Pearne & Gordon LLP

(57) **CLAIM**

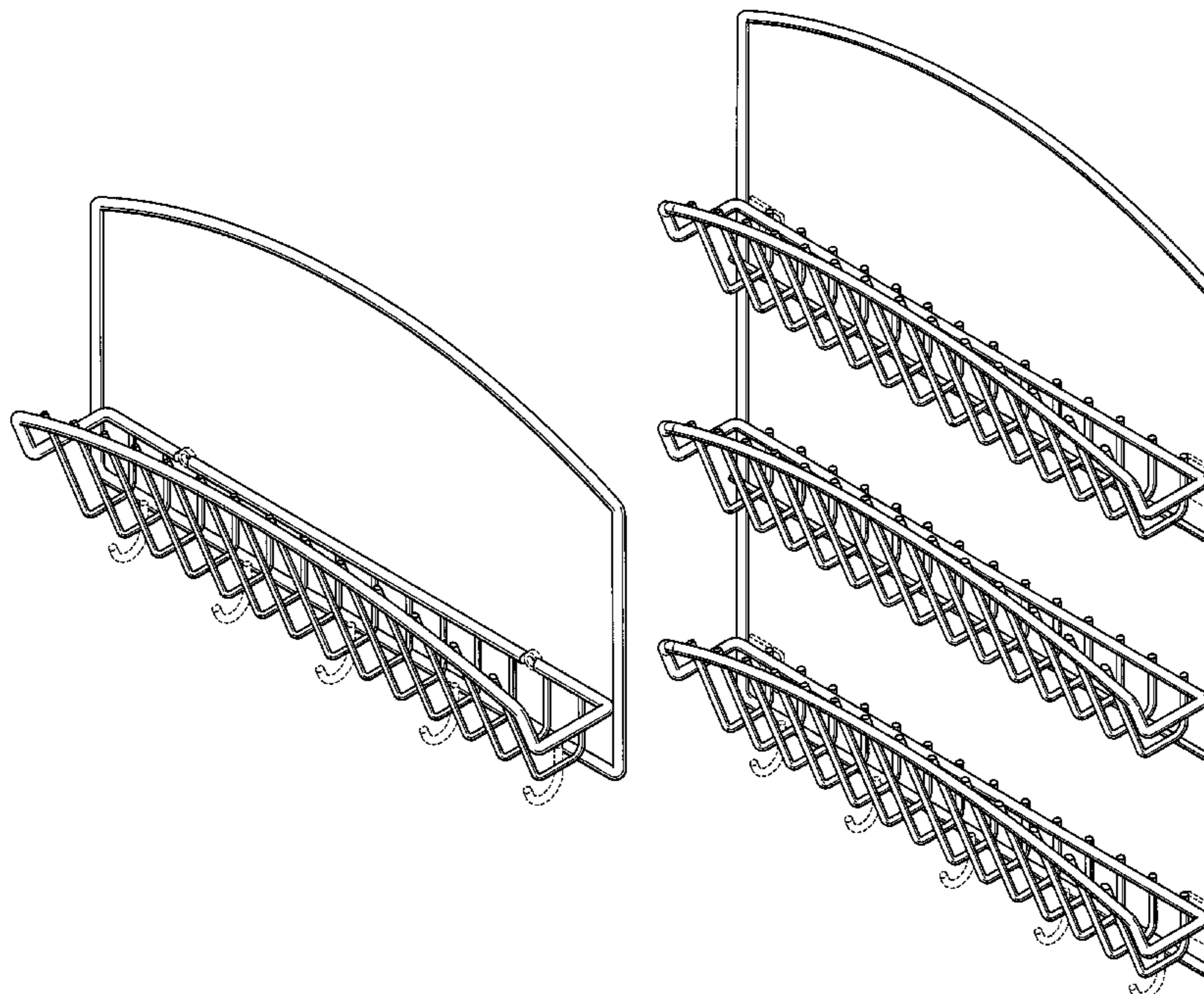
The ornamental design for a wall-mount letter holder, as shown and described.

DESCRIPTION

FIG. 1 is a perspective view of a wall-mount letter holder, showing our new design;
FIG. 2 is a front elevational view thereof;
FIG. 3 is a side elevational view thereof;
FIG. 4 is a top plan view thereof;
FIG. 5 is a perspective view of a second embodiment of a wall-mount letter holder;
FIG. 6 is a front elevational view thereof;
FIG. 7 is a side elevational view thereof; and,
FIG. 8 is a top plan view thereof.

The broken lines in the drawings of five hooks, as well as circular screw-mounts and squared screw-hole flanges, illustrate environmental matter and form no part of the claimed design.

1 Claim, 4 Drawing Sheets



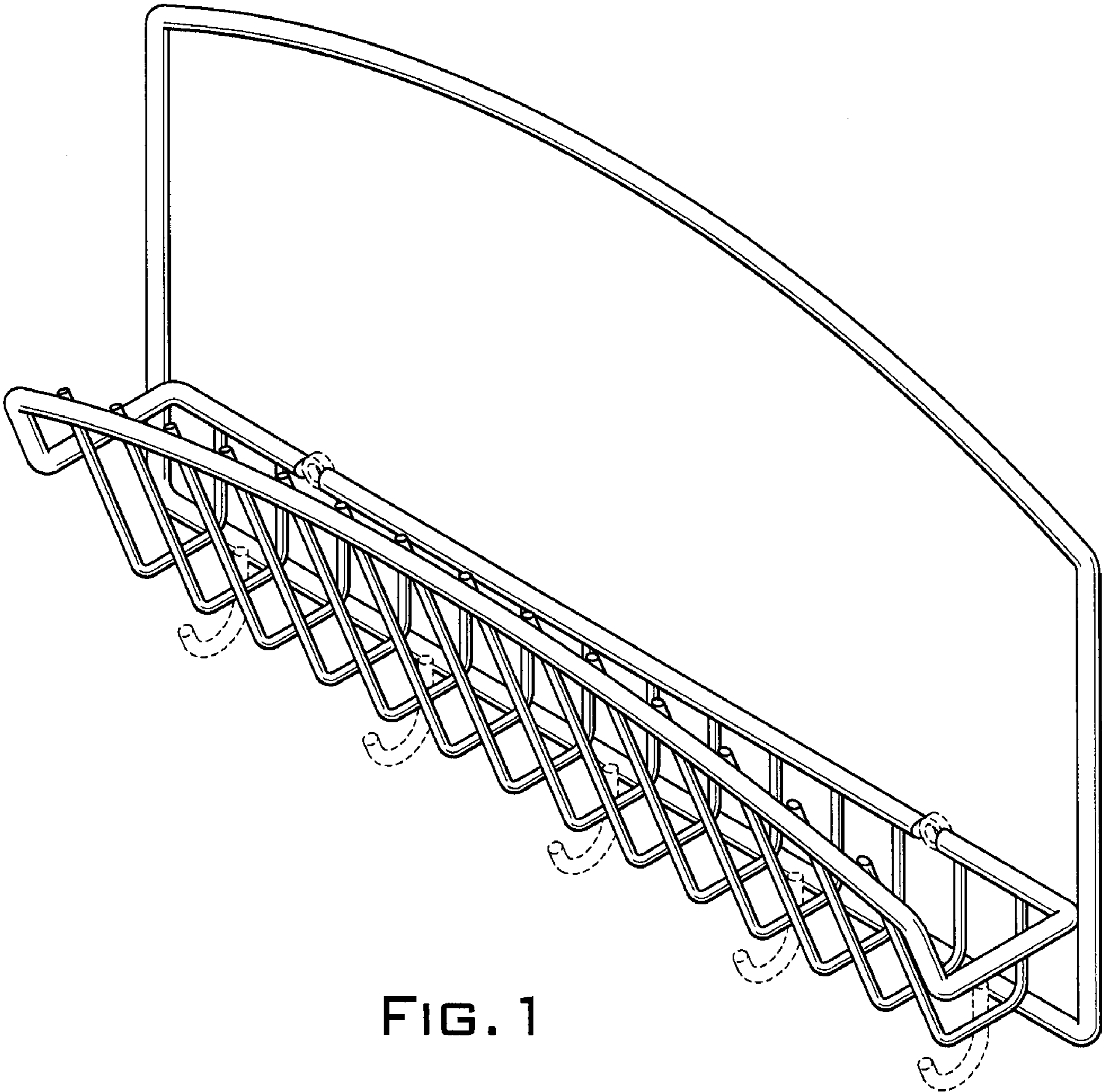


FIG. 1

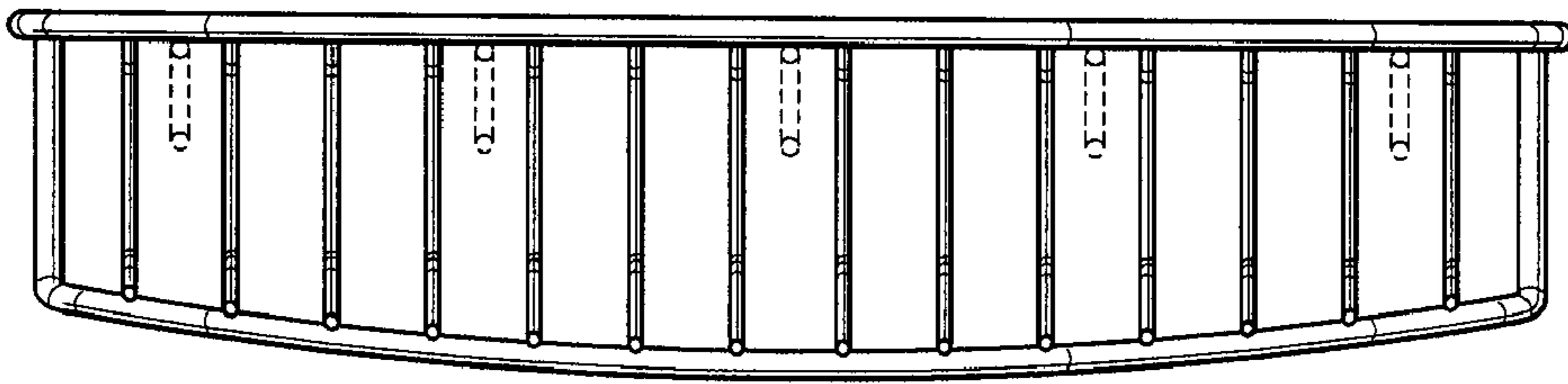


FIG. 4

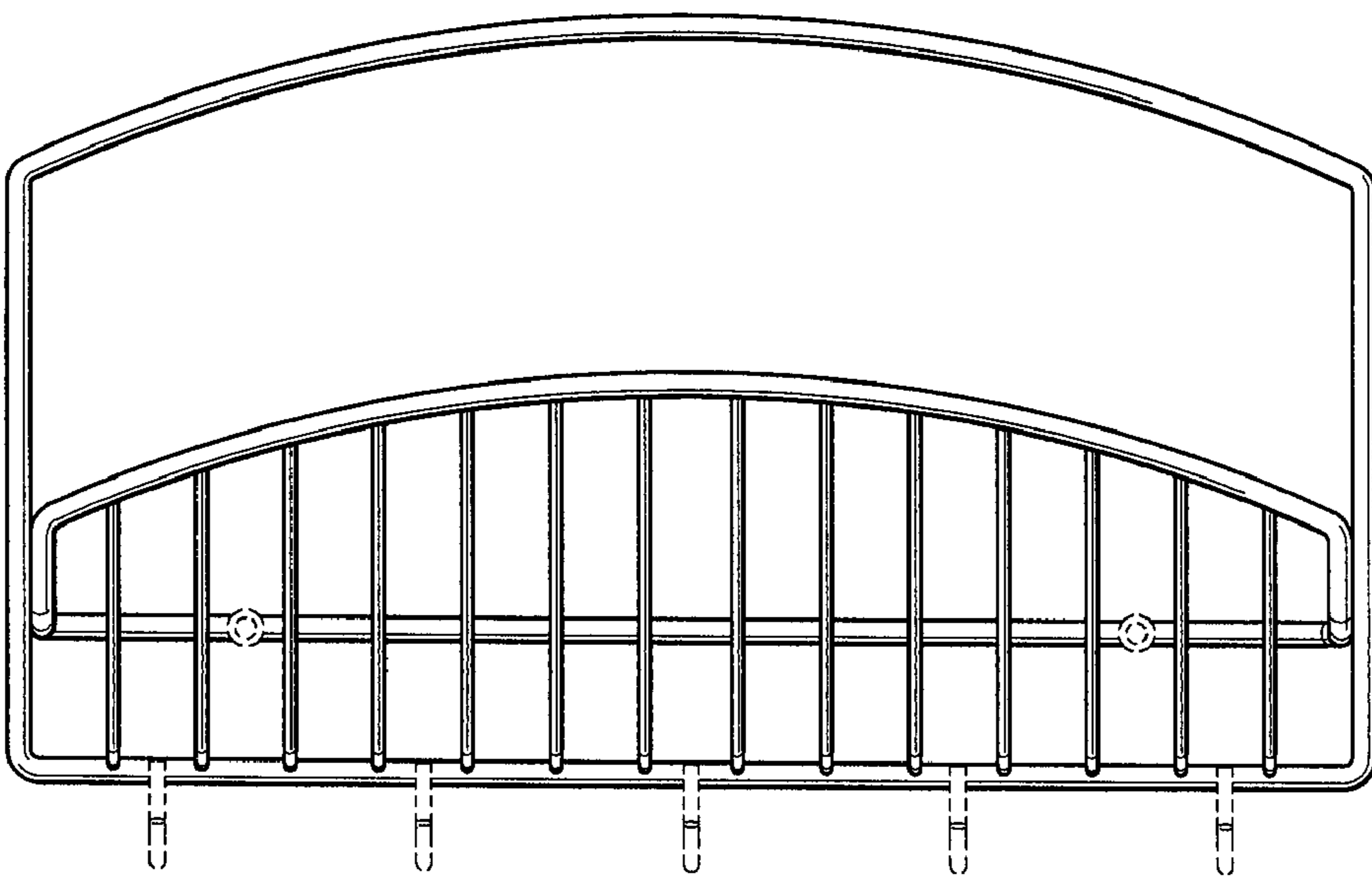


FIG. 2

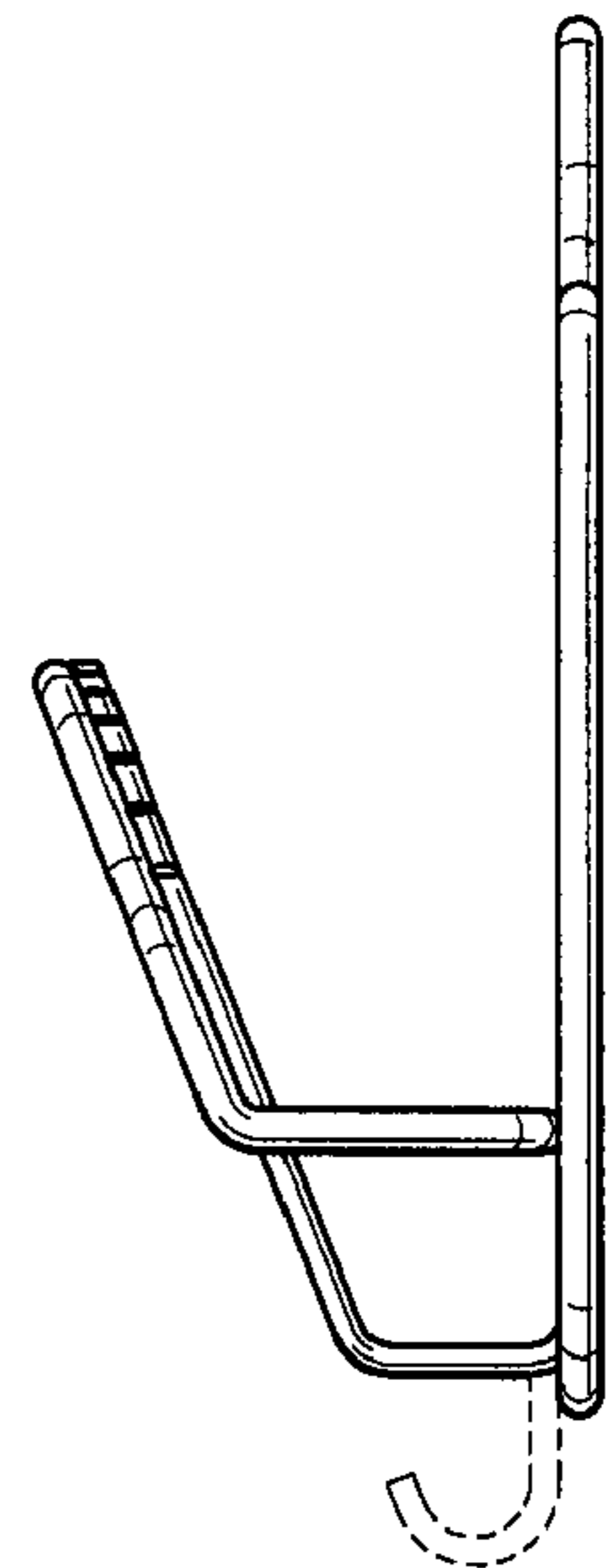


FIG. 3

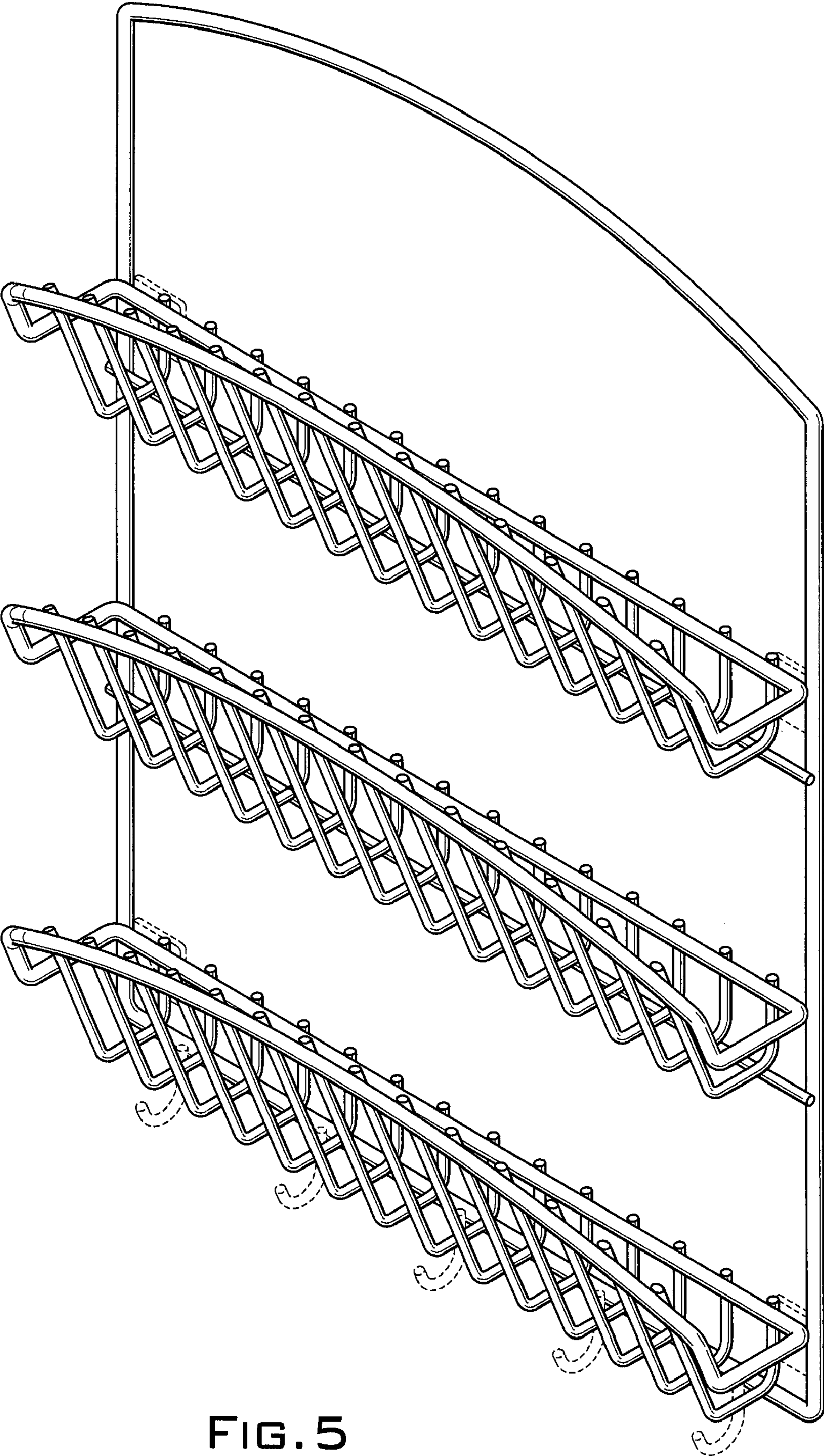


FIG. 5

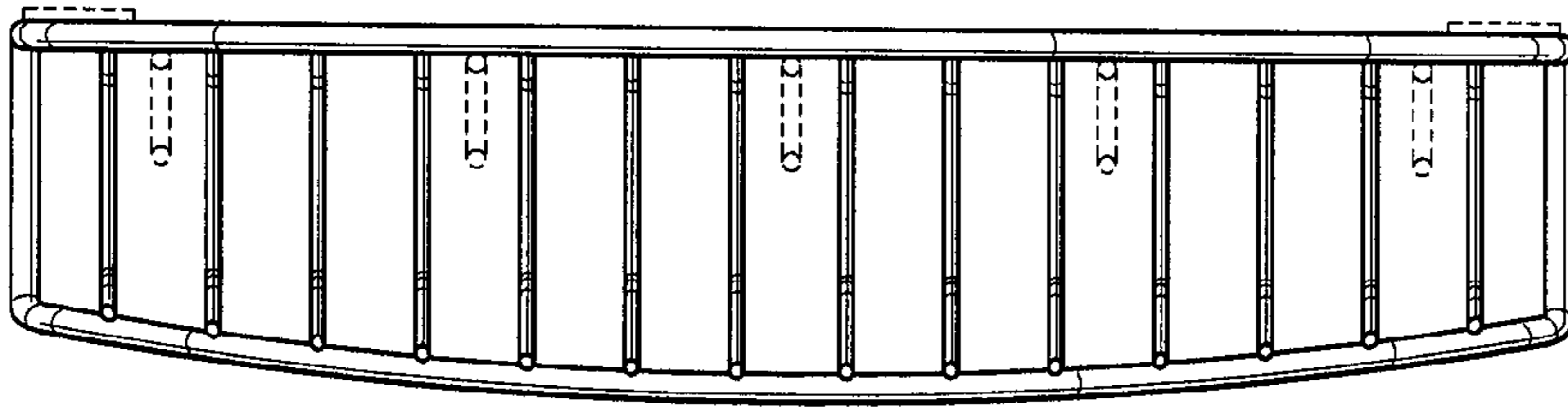


FIG. 8

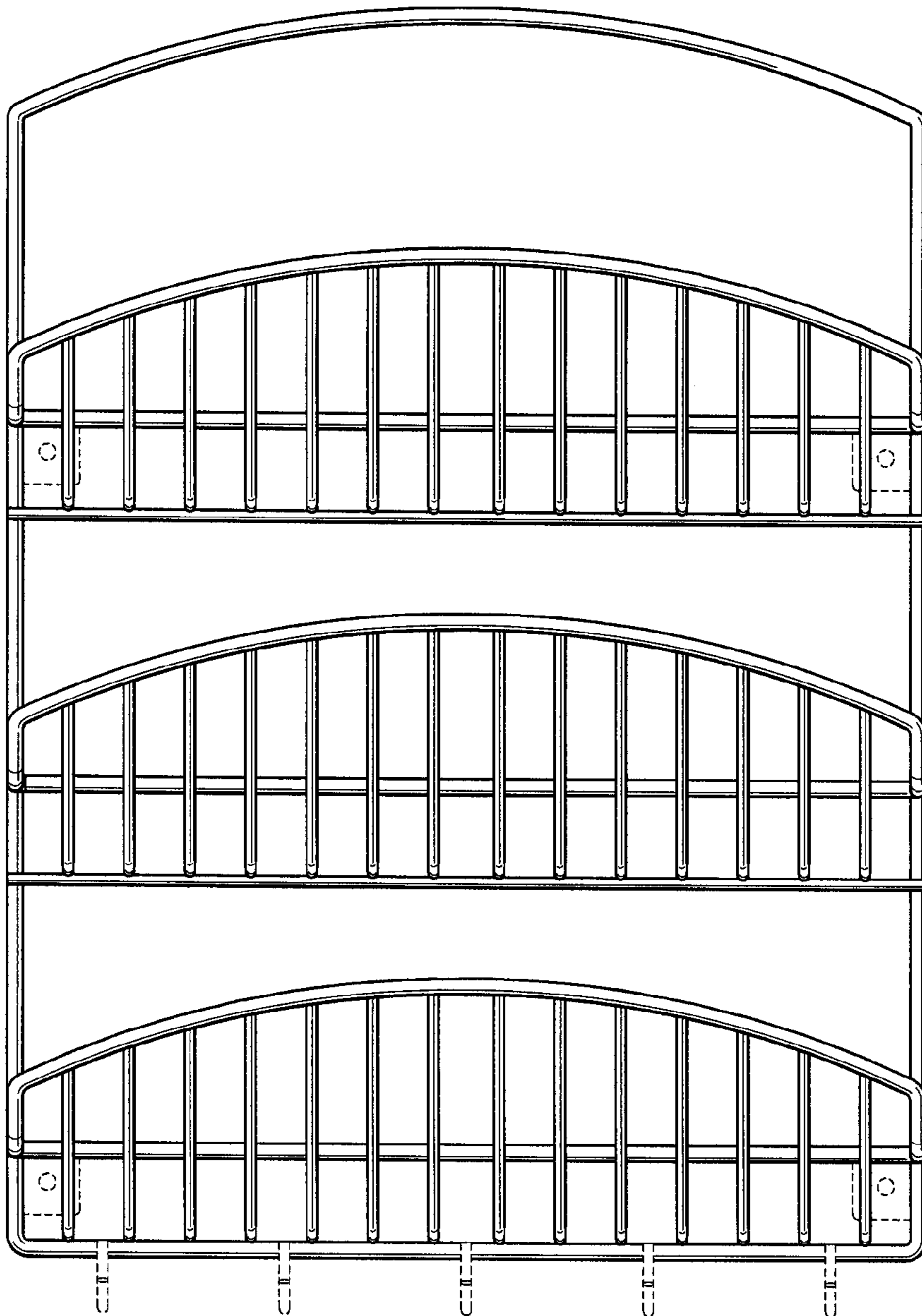


FIG. 6

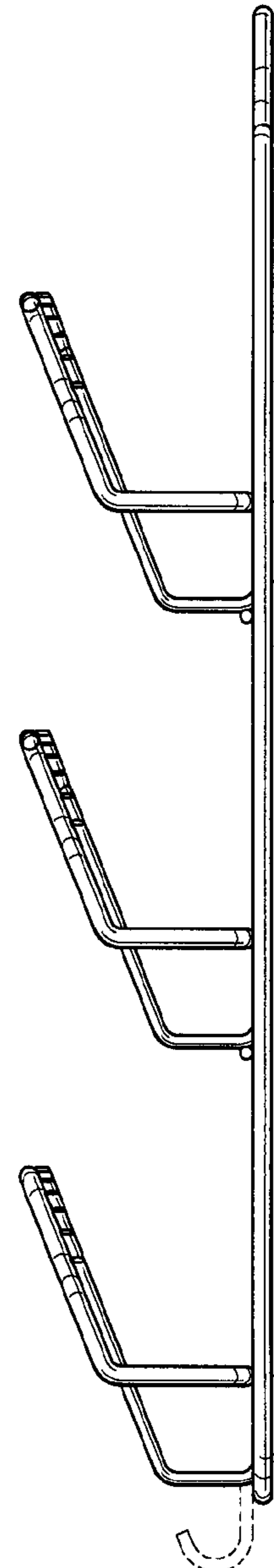


FIG. 7