



US00D601630S

(12) **United States Design Patent**  
**Wu**

(10) **Patent No.:** **US D601,630 S**

(45) **Date of Patent:** **\*\* Oct. 6, 2009**

(54) **CORRECTION TAPE**

(75) Inventor: **Chien-Lung Wu**, Chang Hua (TW)

(73) Assignee: **SDI Corporation**, Chang Hua (TW)

(\*\*) Term: **14 Years**

(21) Appl. No.: **29/332,440**

(22) Filed: **Feb. 16, 2009**

(51) **LOC (9) Cl.** ..... **19-02**

(52) **U.S. Cl.** ..... **D19/69**

(58) **Field of Classification Search** ..... D19/66,  
D19/67, 68, 69, 70; 156/523, 257, 540, 577;  
206/411; 225/6, 25, 39, 77; 242/588, 588.1,  
242/588.2, 588.3, 588.6, 5

See application file for complete search history.

(56) **References Cited**

**U.S. PATENT DOCUMENTS**

D328,097 S *	7/1992	Czech	.....	D19/69
D365,852 S *	1/1996	Parsey et al.	.....	D19/69
D407,115 S *	3/1999	Baker et al.	.....	D19/69
D410,494 S *	6/1999	Hoffmann	.....	D19/69
D410,955 S *	6/1999	Hoffmann	.....	D19/69
D421,060 S *	2/2000	Kelders et al.	.....	D19/69
D421,461 S *	3/2000	Kelders et al.	.....	D19/69
6,453,969 B1 *	9/2002	Ferrara	.....	156/577
D469,124 S *	1/2003	Koreska	.....	D19/53

D476,035 S *	6/2003	Katami	.....	D19/69
D494,623 S *	8/2004	Huang	.....	D19/69
D541,863 S *	5/2007	Gerules	.....	D19/69
D573,646 S *	7/2008	Wolff et al.	.....	D19/69

\* cited by examiner

*Primary Examiner*—Cathron C Brooks

*Assistant Examiner*—Austin Murphy

(74) *Attorney, Agent, or Firm*—Alan Kamrath; Kamrath & Associates PA

(57) **CLAIM**

The ornamental design for correction tape, as shown and described.

**DESCRIPTION**

FIG. 1 is a perspective view of a correction tape showing my new design;

FIG. 2 is a front view thereof;

FIG. 3 is a rear view thereof;

FIG. 4 is a left view thereof;

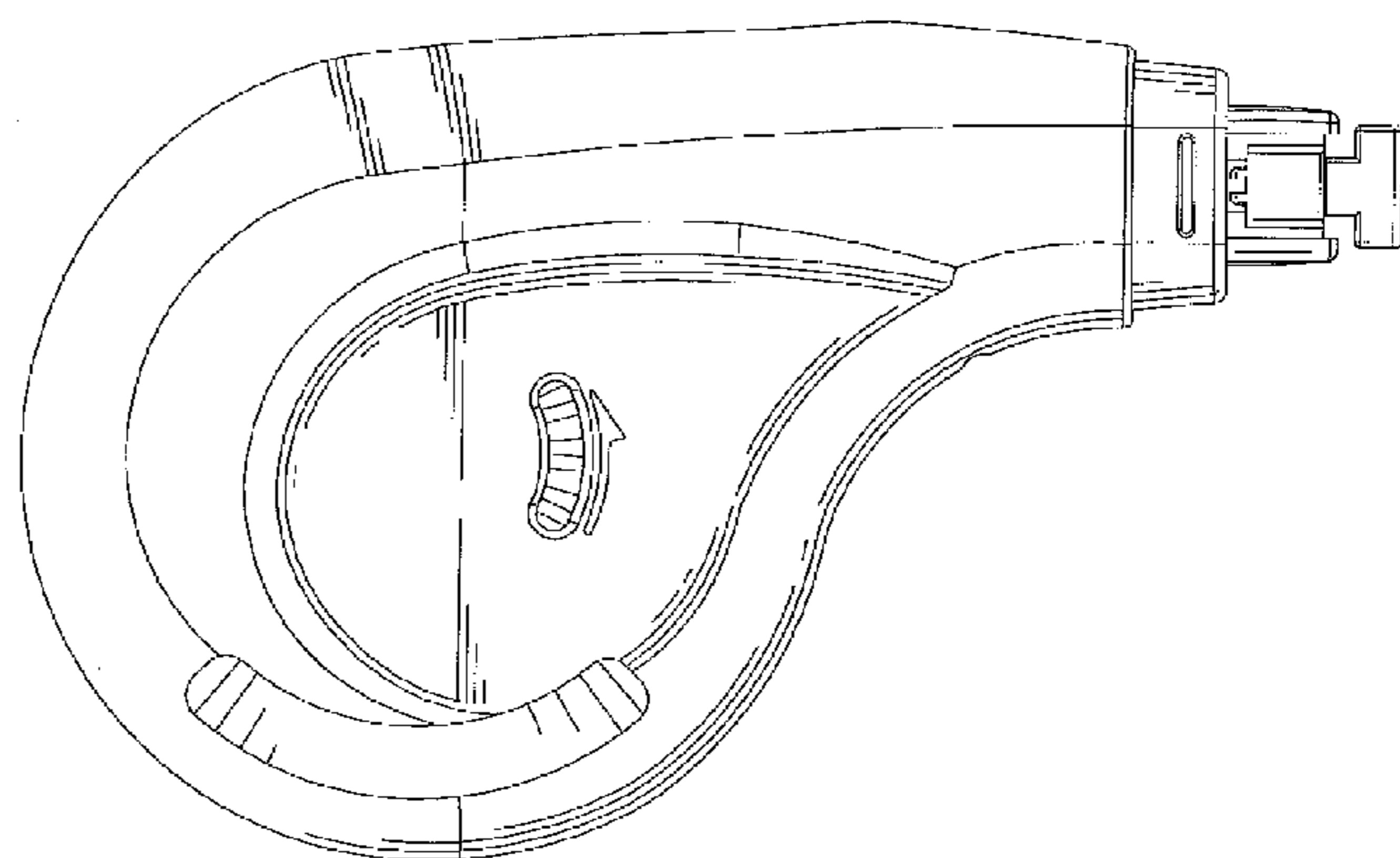
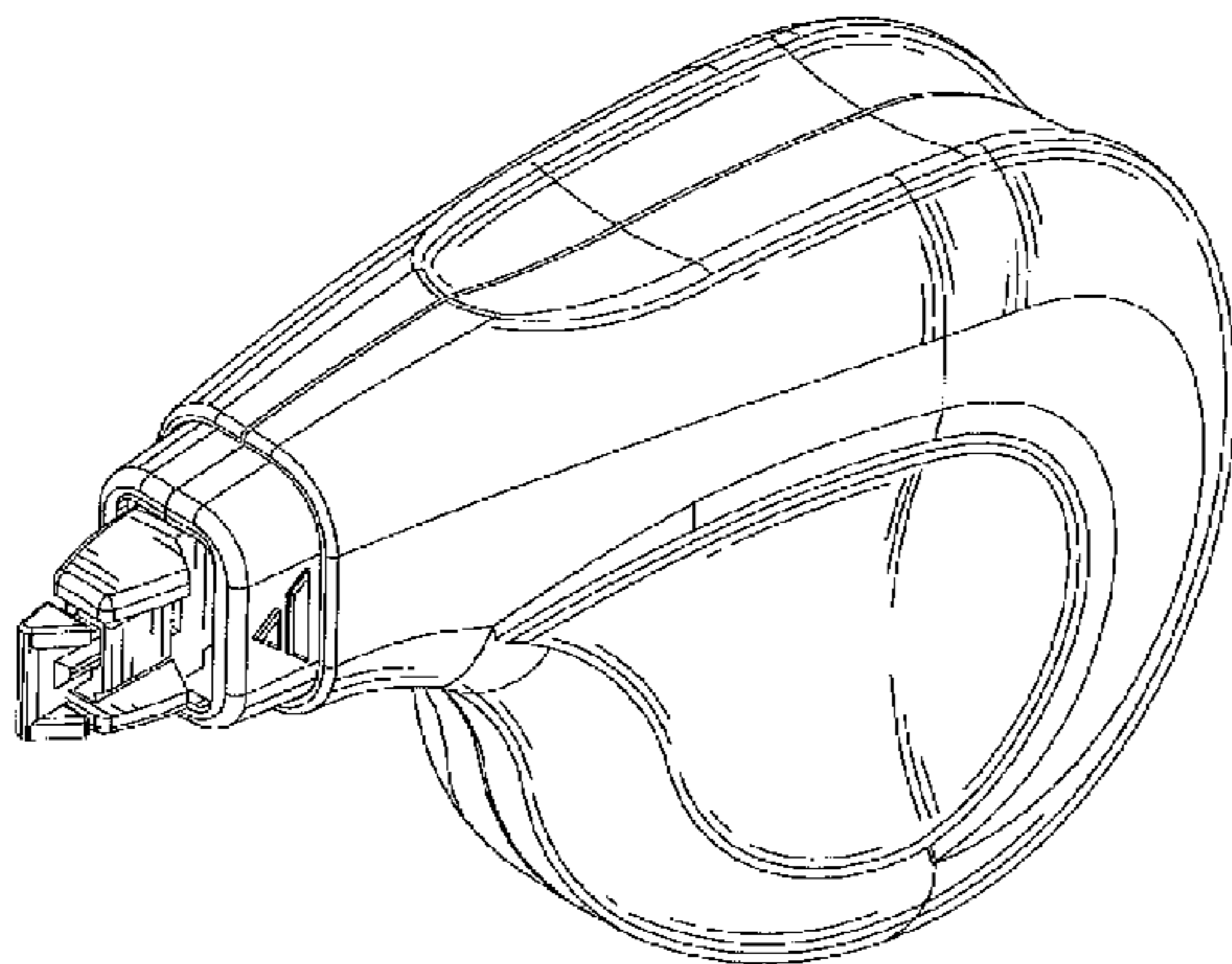
FIG. 5 is a right view thereof;

FIG. 6 is a top view thereof;

FIG. 7 is a bottom view thereof; and,

FIG. 8 is a perspective view thereof, shown in an alternate position of use with the tip concealed.

**1 Claim, 5 Drawing Sheets**



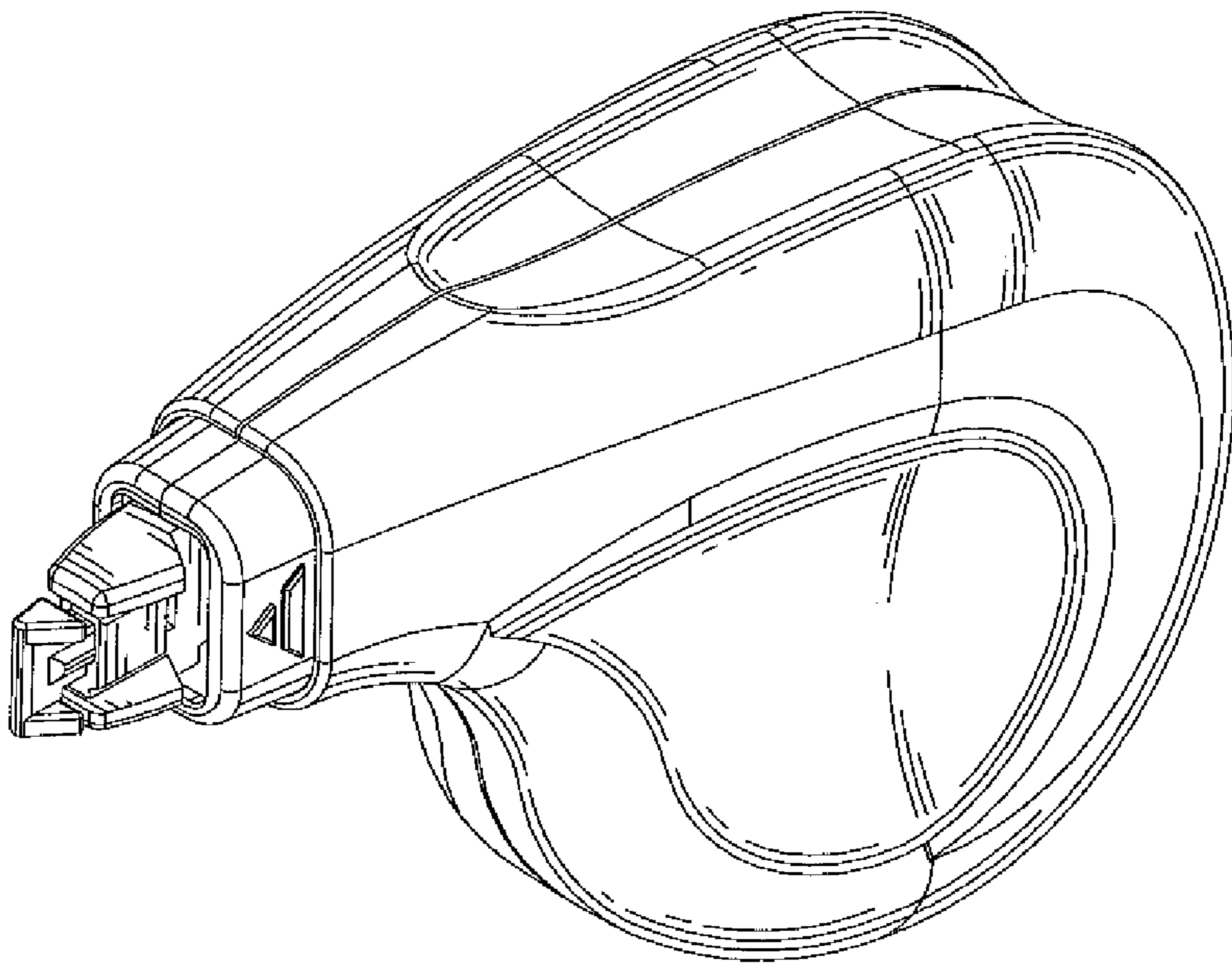


Fig.1

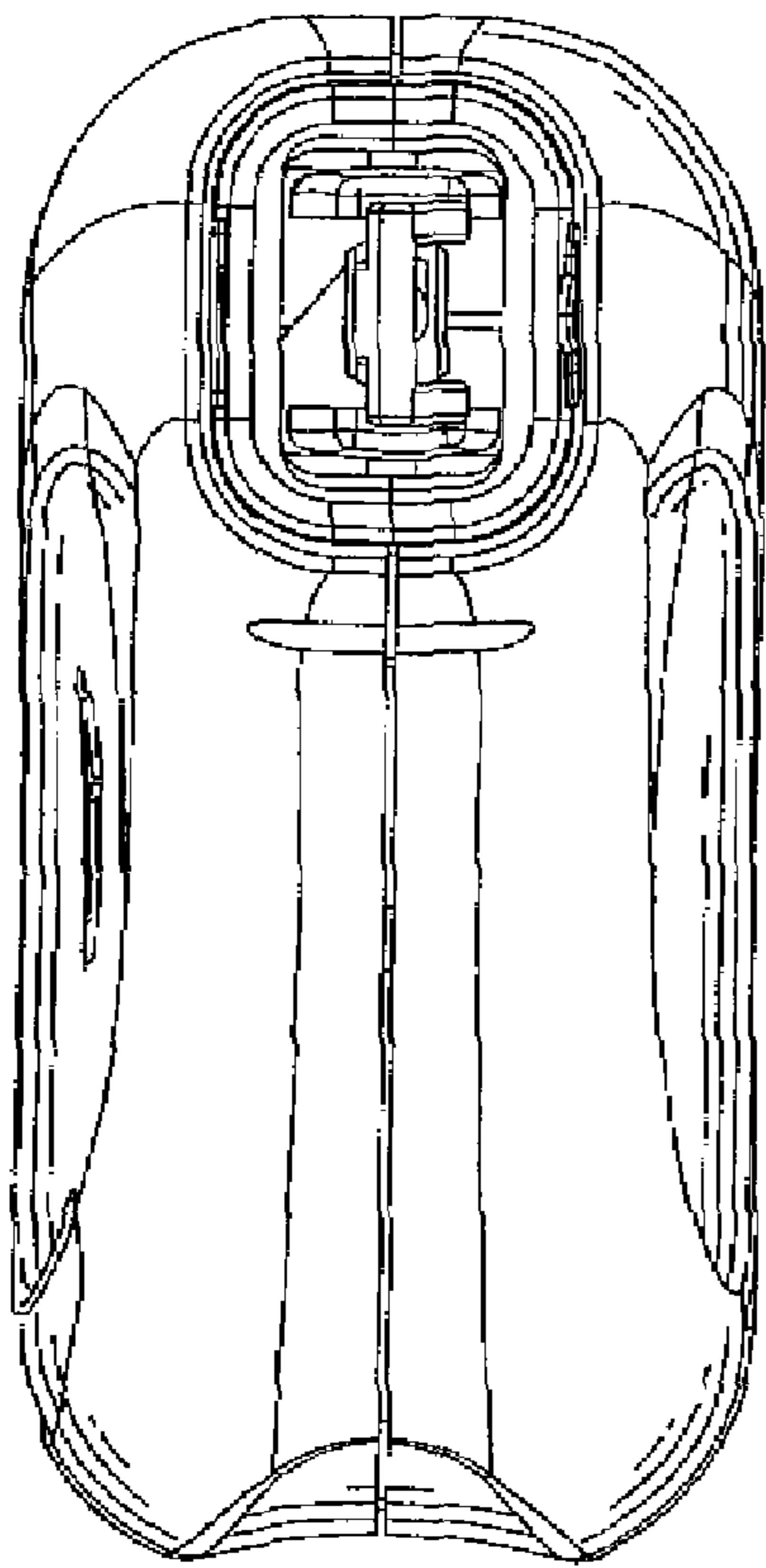


Fig.2

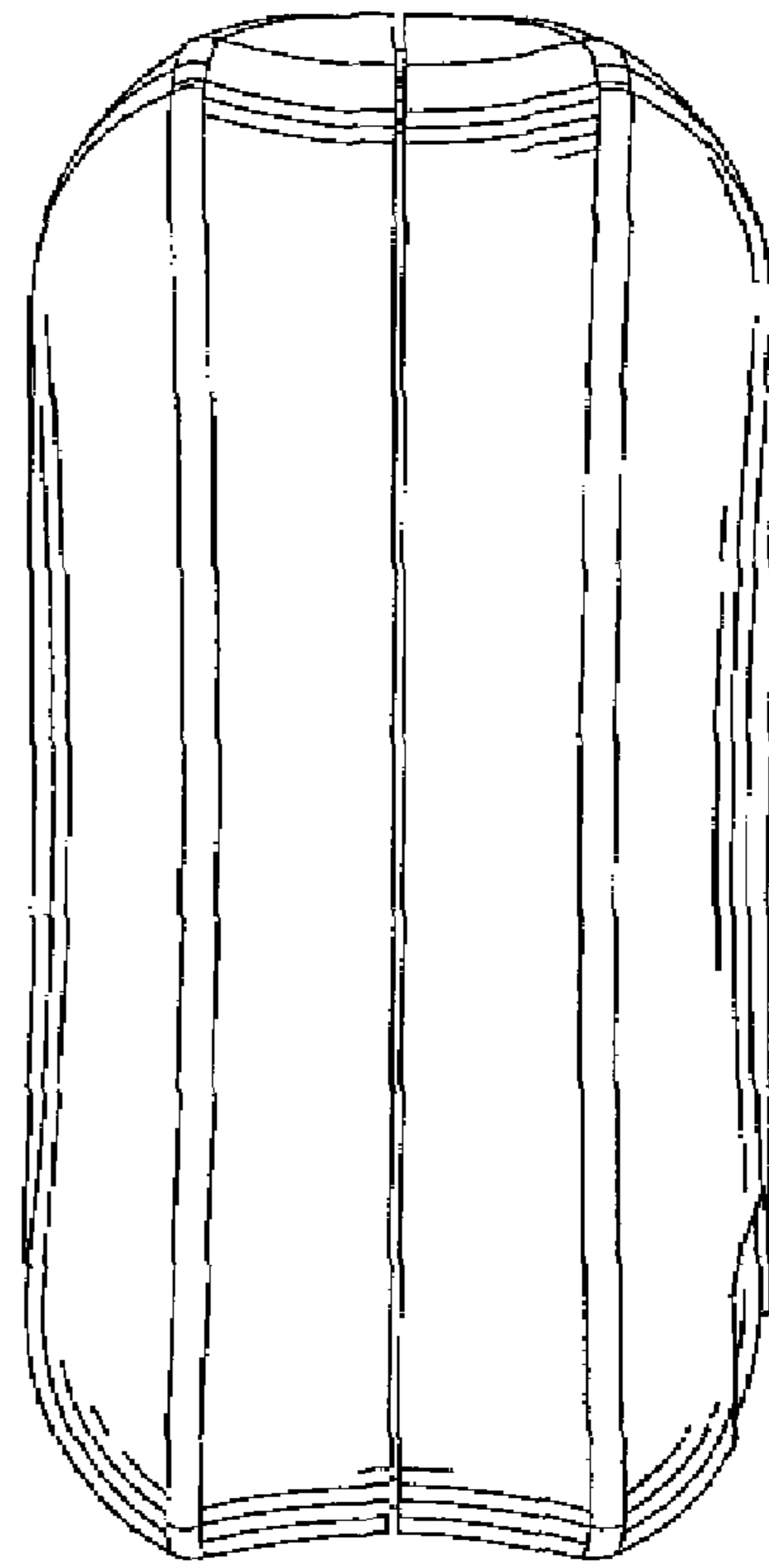


Fig.3

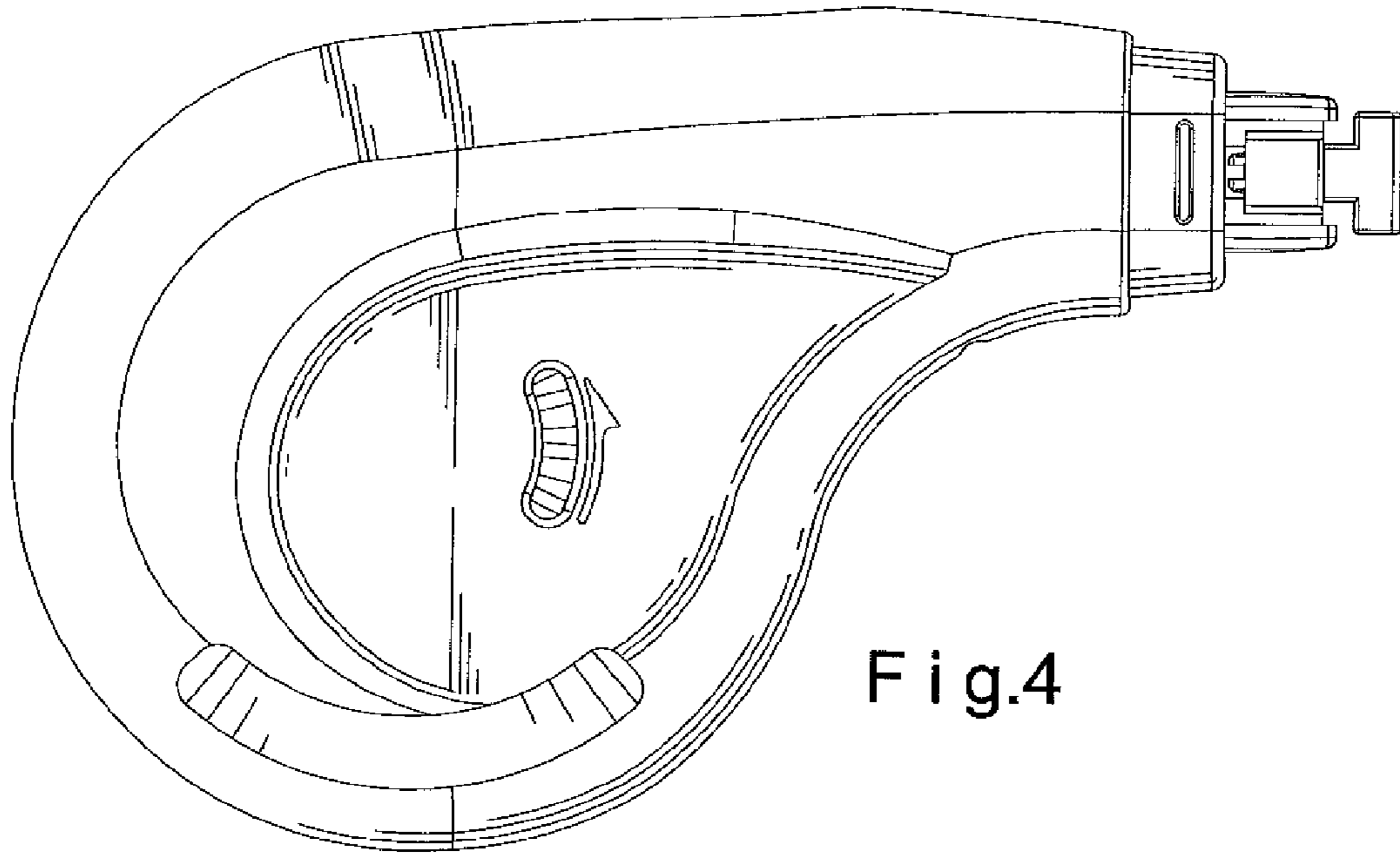


Fig.4

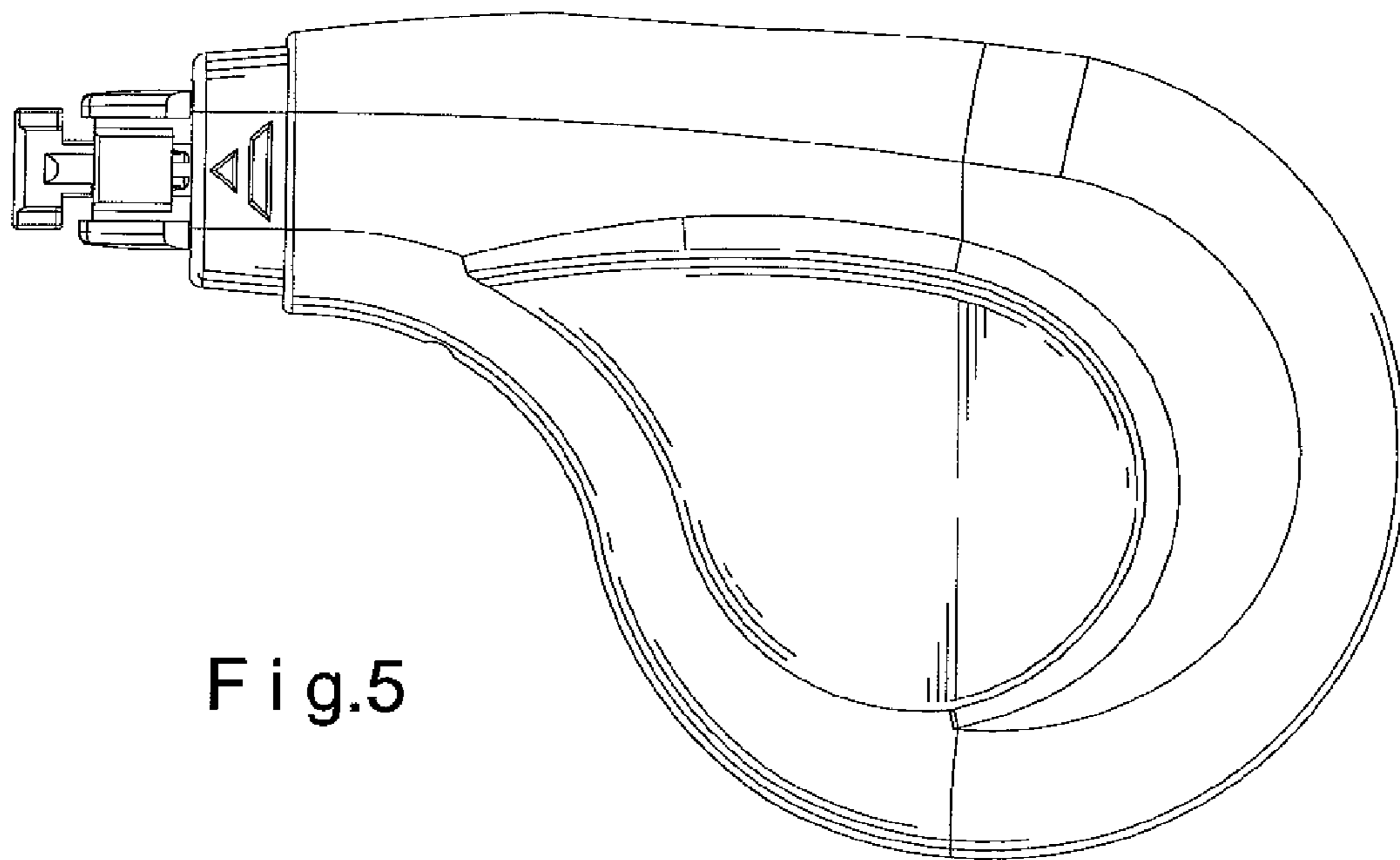


Fig.5

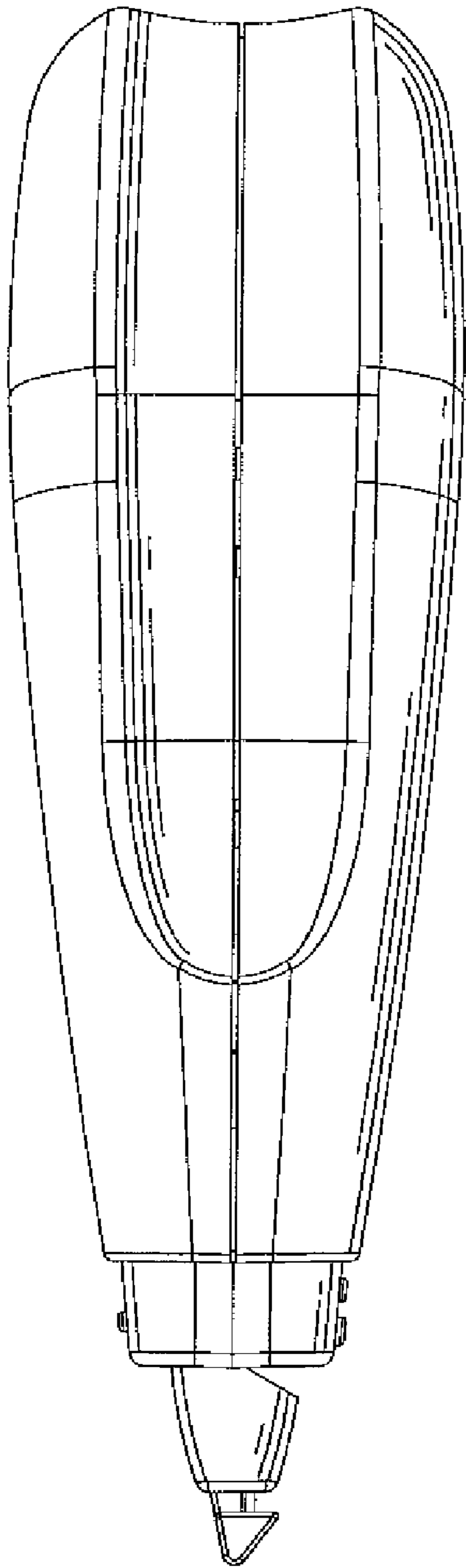


Fig.6

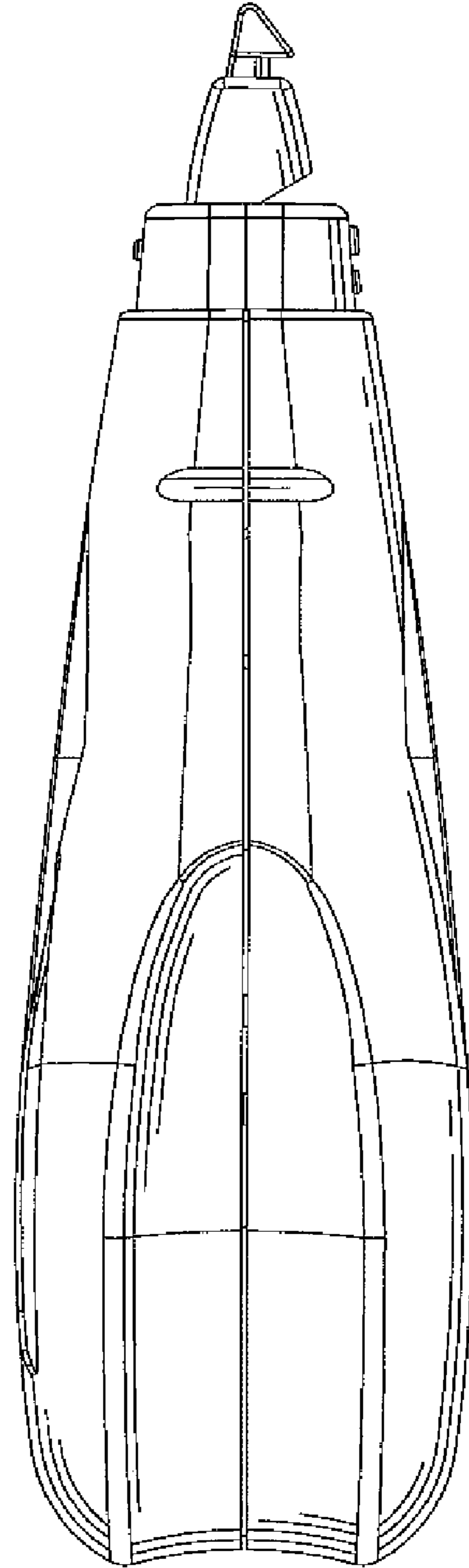


Fig.7

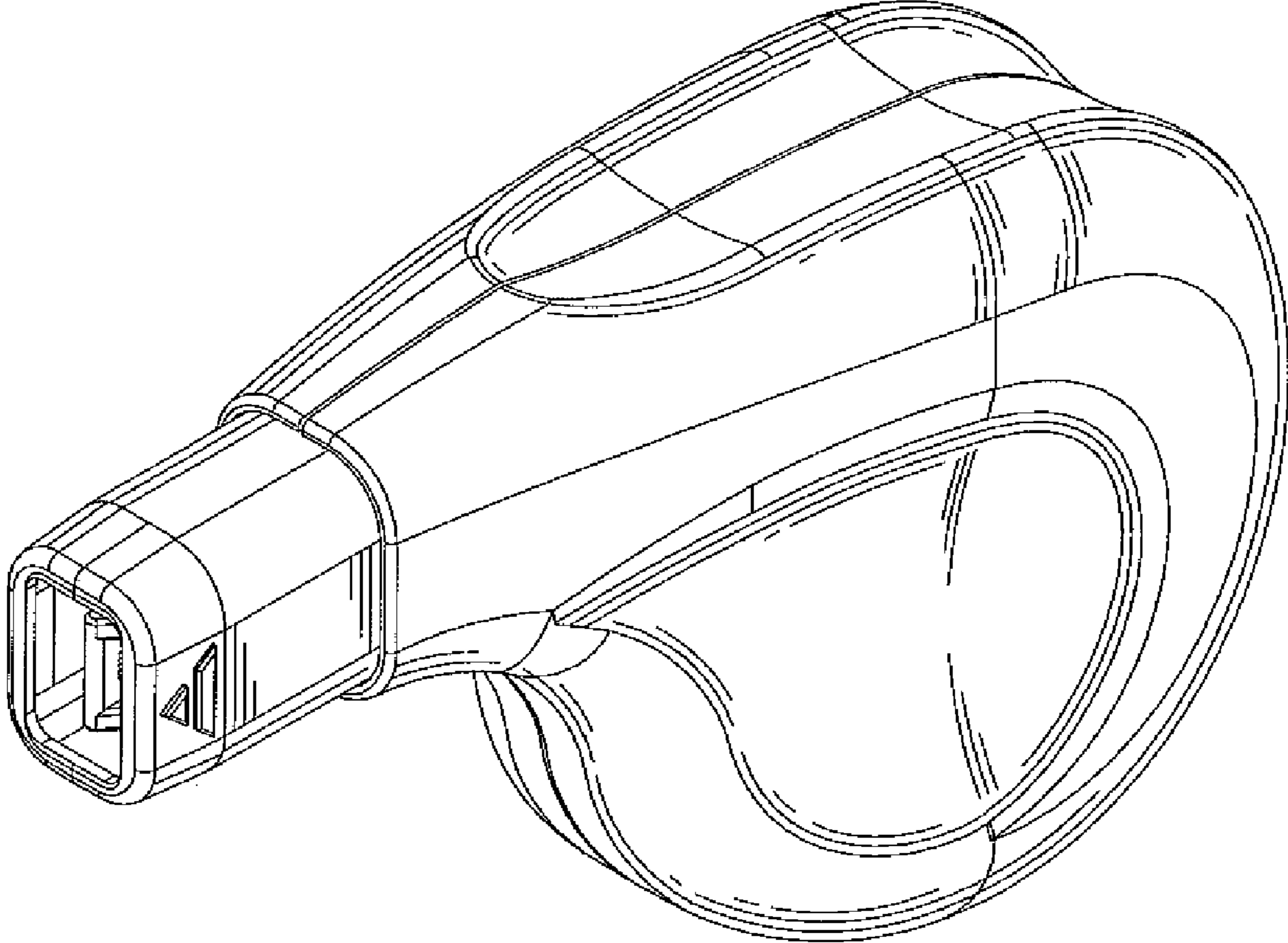


Fig.8