



US00D601621S

(12) **United States Design Patent**
Burton et al.

(10) **Patent No.:** **US D601,621 S**

(45) **Date of Patent:** **** Oct. 6, 2009**

(54) **THERMAL BINDER AND LAMINATOR**

(75) Inventors: **Jared Burton**, Payson, UT (US); **James T. Davis, II**, Springville, UT (US)

(73) Assignee: **Provo Craft and Novelty, Inc.**, Spanish Fork, UT (US)

(**) Term: **14 Years**

(21) Appl. No.: **29/321,437**

(22) Filed: **Jul. 16, 2008**

(51) **LOC (9) Cl.** **18-02**

(52) **U.S. Cl.** **D18/34.1**

(58) **Field of Classification Search** D18/15-19,
D18/50, 7, 34.1, 34.2; 400/462-470, 613.1-613.4;
156/384, DIG. 48, DIG. 49, 908; D19/68;
412/37, 33, 900; 118/681

See application file for complete search history.

(56) **References Cited**

U.S. PATENT DOCUMENTS

D288,212 S *	2/1987	Nordgren	D18/34.1
D296,566 S *	7/1988	Hori	D18/34.1
5,073,076 A *	12/1991	Parkhill et al.	156/908
D352,955 S *	11/1994	Nordgren	D18/34.1
RE34,917 E *	4/1995	Parkhill et al.	412/33
6,652,210 B1 *	11/2003	Yeaple	412/37
D497,939 S *	11/2004	Henderson et al.	D18/34.2
6,908,513 B2 *	6/2005	Henke	118/681
7,354,232 B1 *	4/2008	Yeaple	412/33

* cited by examiner

Primary Examiner—Charles A Rademaker

(74) *Attorney, Agent, or Firm*—Honigman Miller Schwartz and Cohn LLP

(57) **CLAIM**

The ornamental design for a thermal binder and laminator, as shown and described.

DESCRIPTION

FIG. 1 is a front perspective view of a thermal binder and laminator showing our new design;

FIG. 2 is a front elevation thereof;

FIG. 3 is a rear elevation thereof;

FIG. 4 is a right side elevation thereof;

FIG. 5 is a left side elevation thereof;

FIG. 6 is a top plan view thereof;

FIG. 7 is a bottom plan view thereof;

FIG. 8 is a front perspective view of a modified embodiment of the design shown in FIGS. 1 through 7;

FIG. 9 is a rear perspective view thereof;

FIG. 10 is a bottom and rear perspective view thereof;

FIG. 11 is a front elevation thereof;

FIG. 12 is a rear elevation thereof;

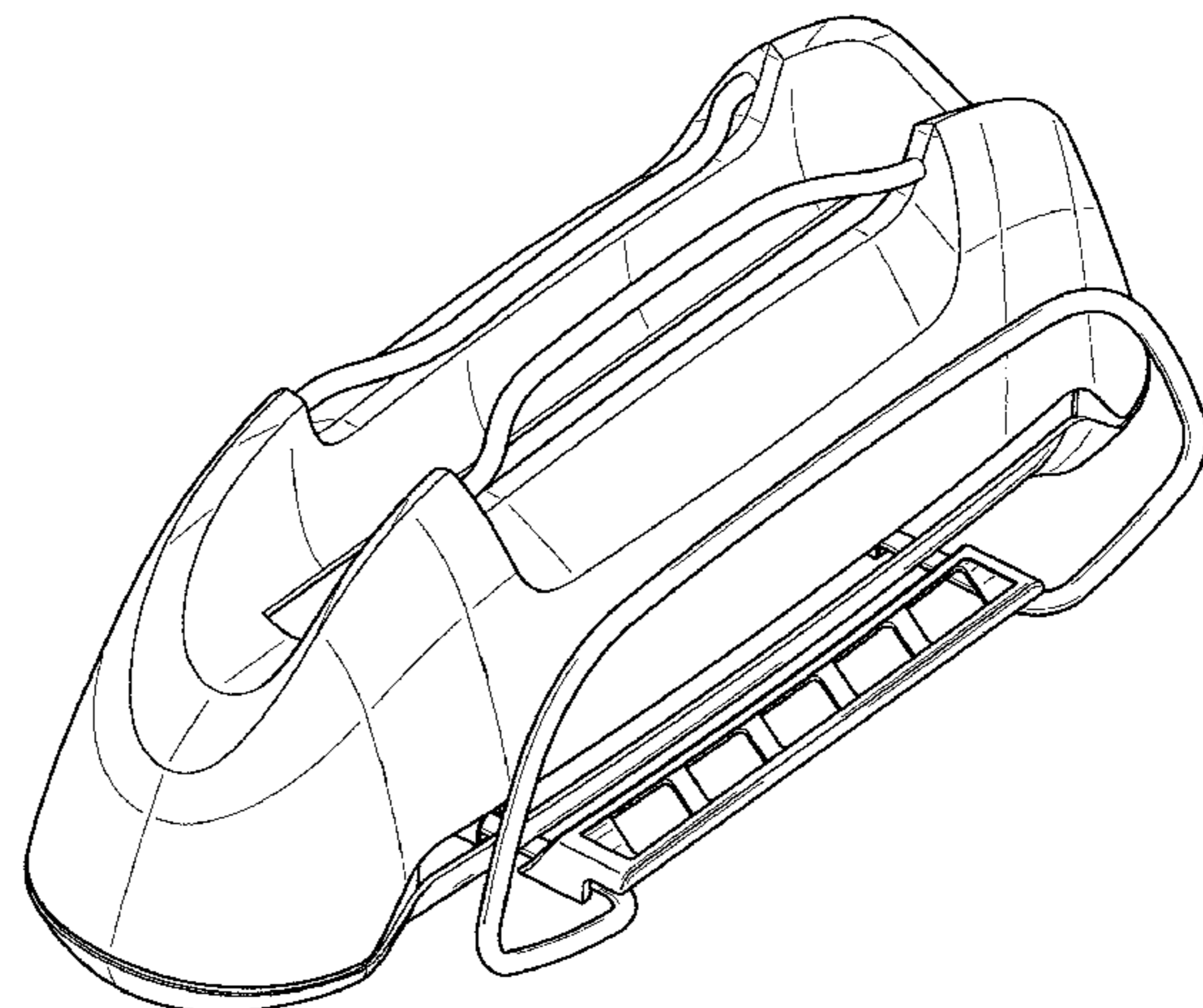
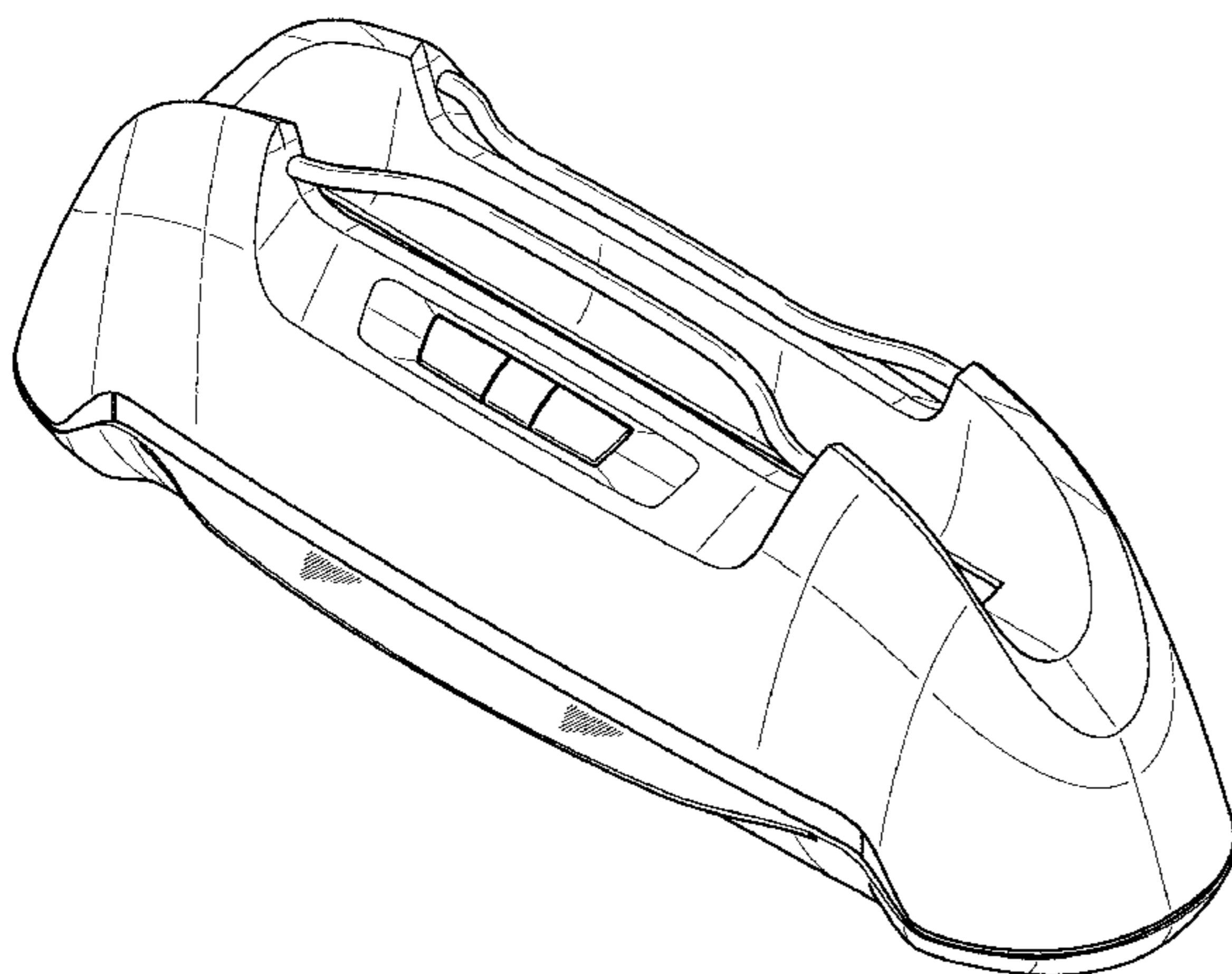
FIG. 13 is right side elevation thereof;

FIG. 14 is a left side elevation thereof;

FIG. 15 is a top plan view thereof; and,

FIG. 16 is a bottom plan view thereof.

1 Claim, 14 Drawing Sheets



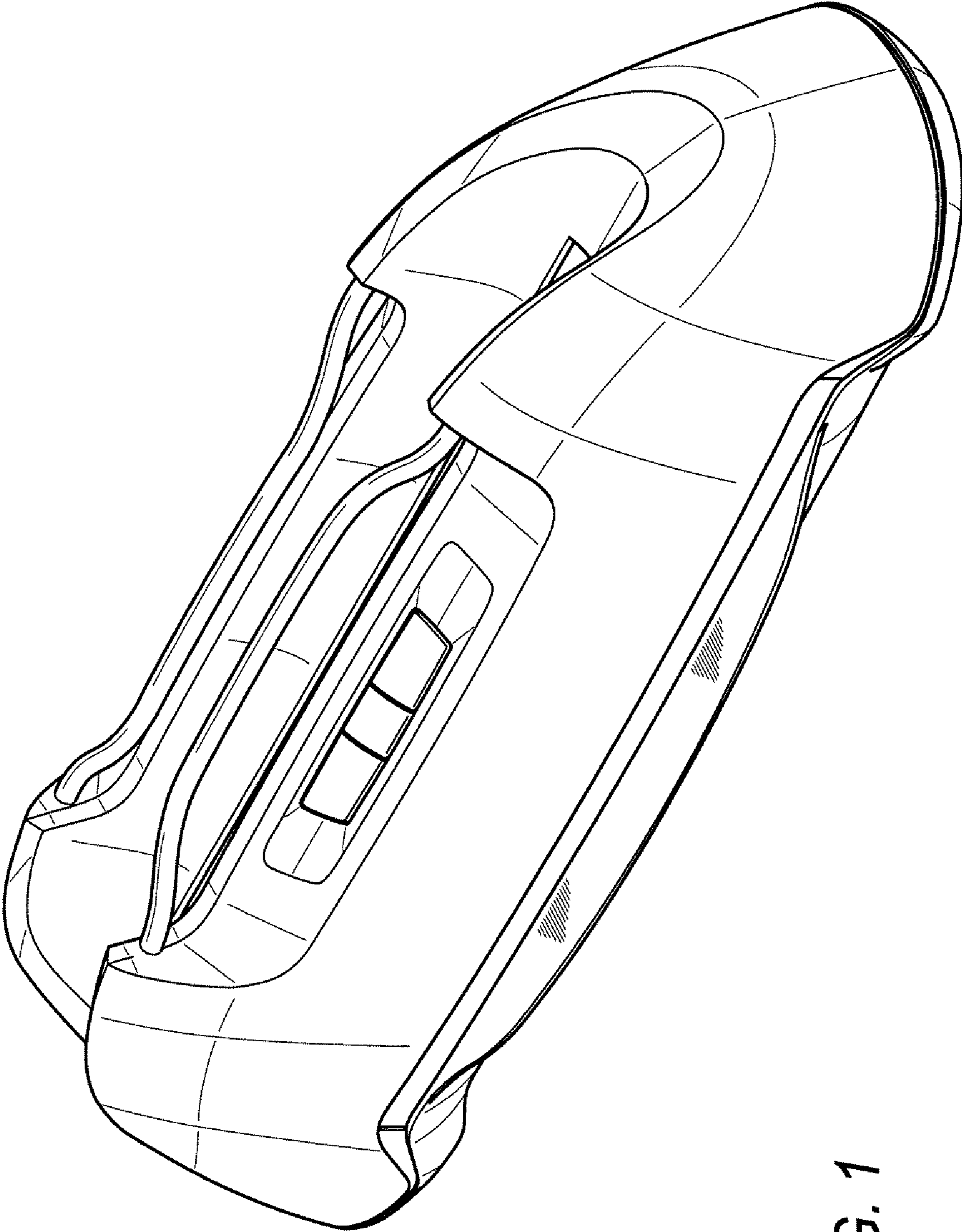


FIG. 1

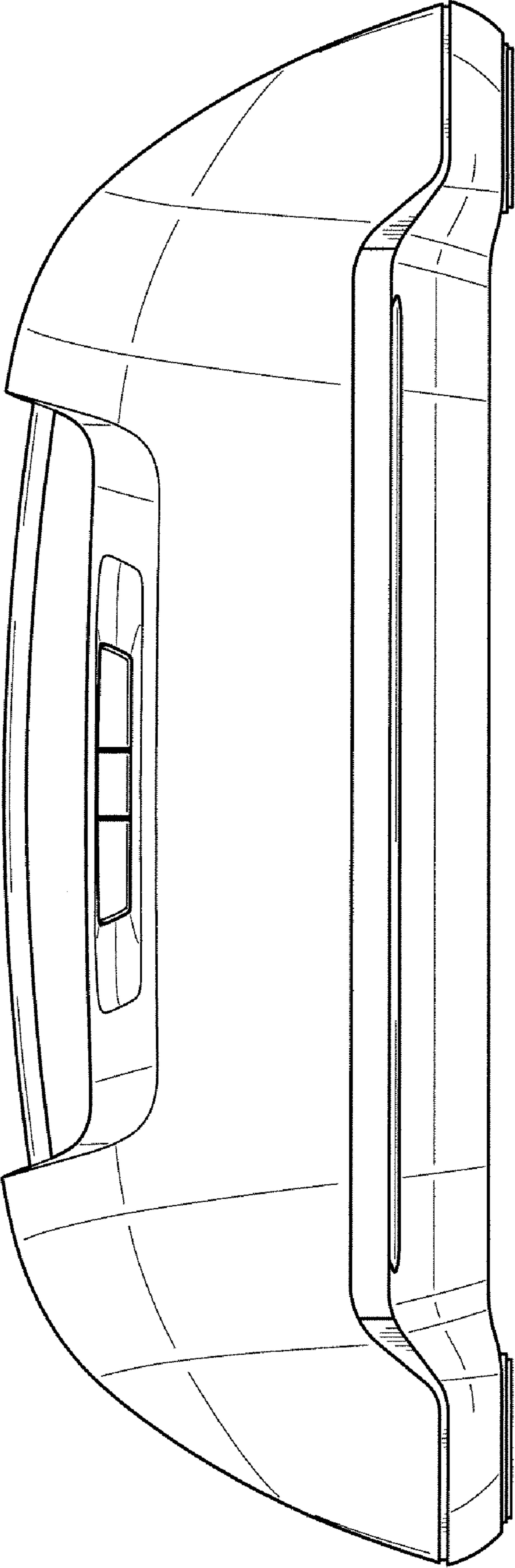


FIG. 2

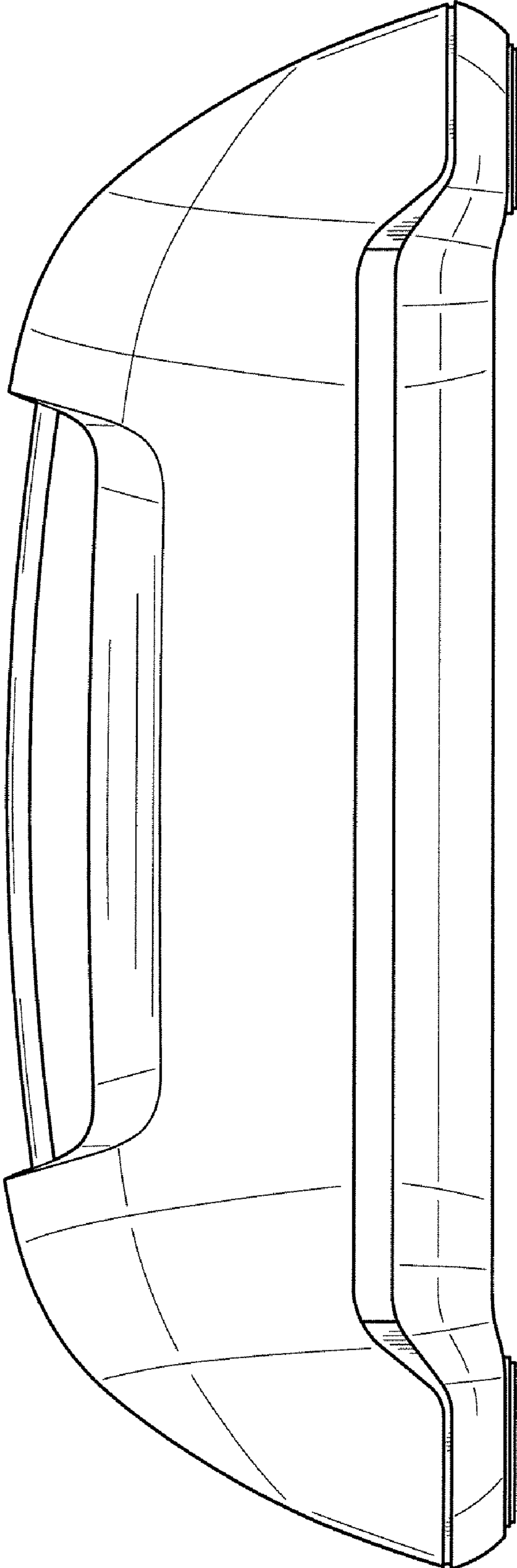


FIG. 3

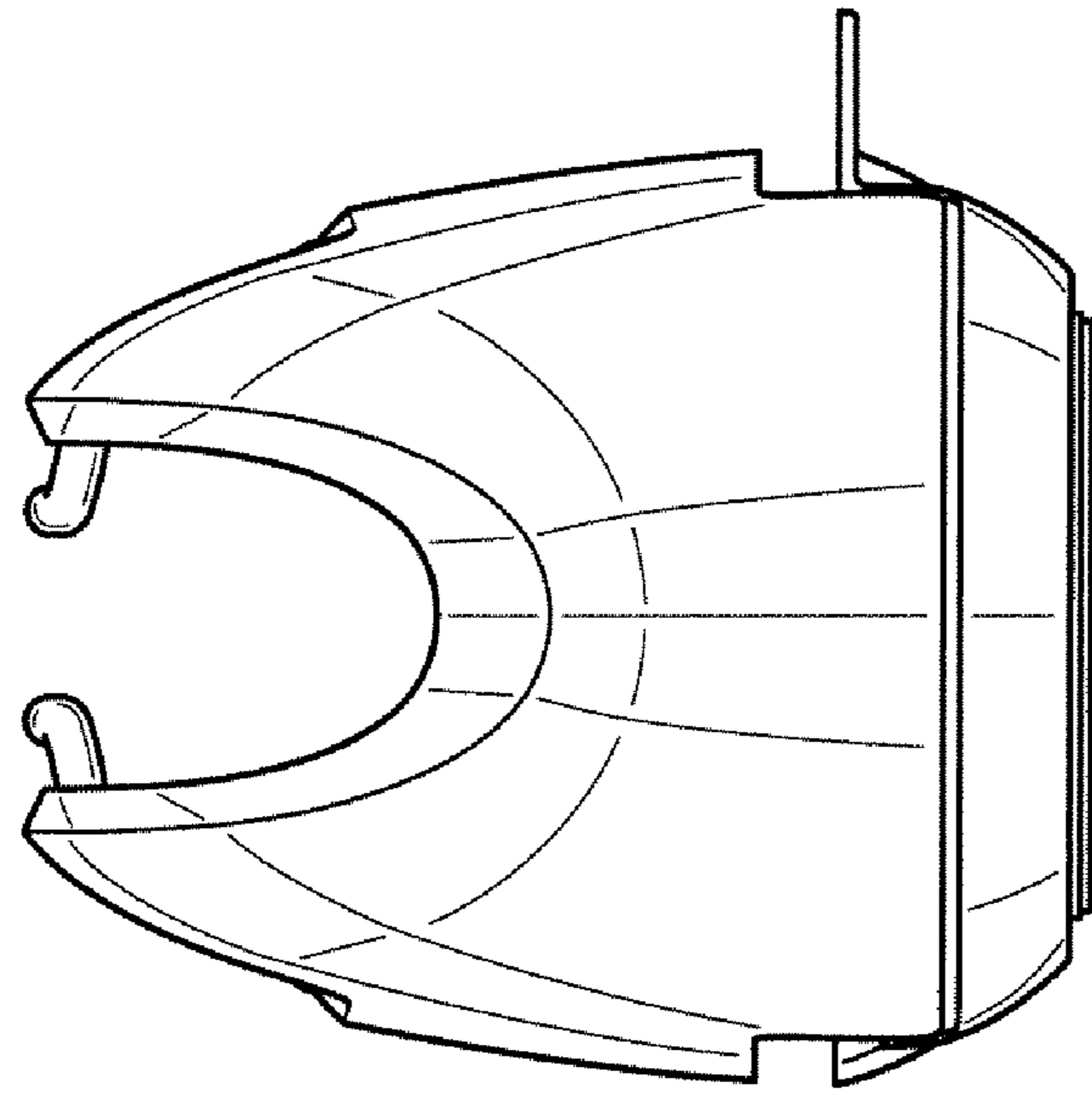


FIG. 5

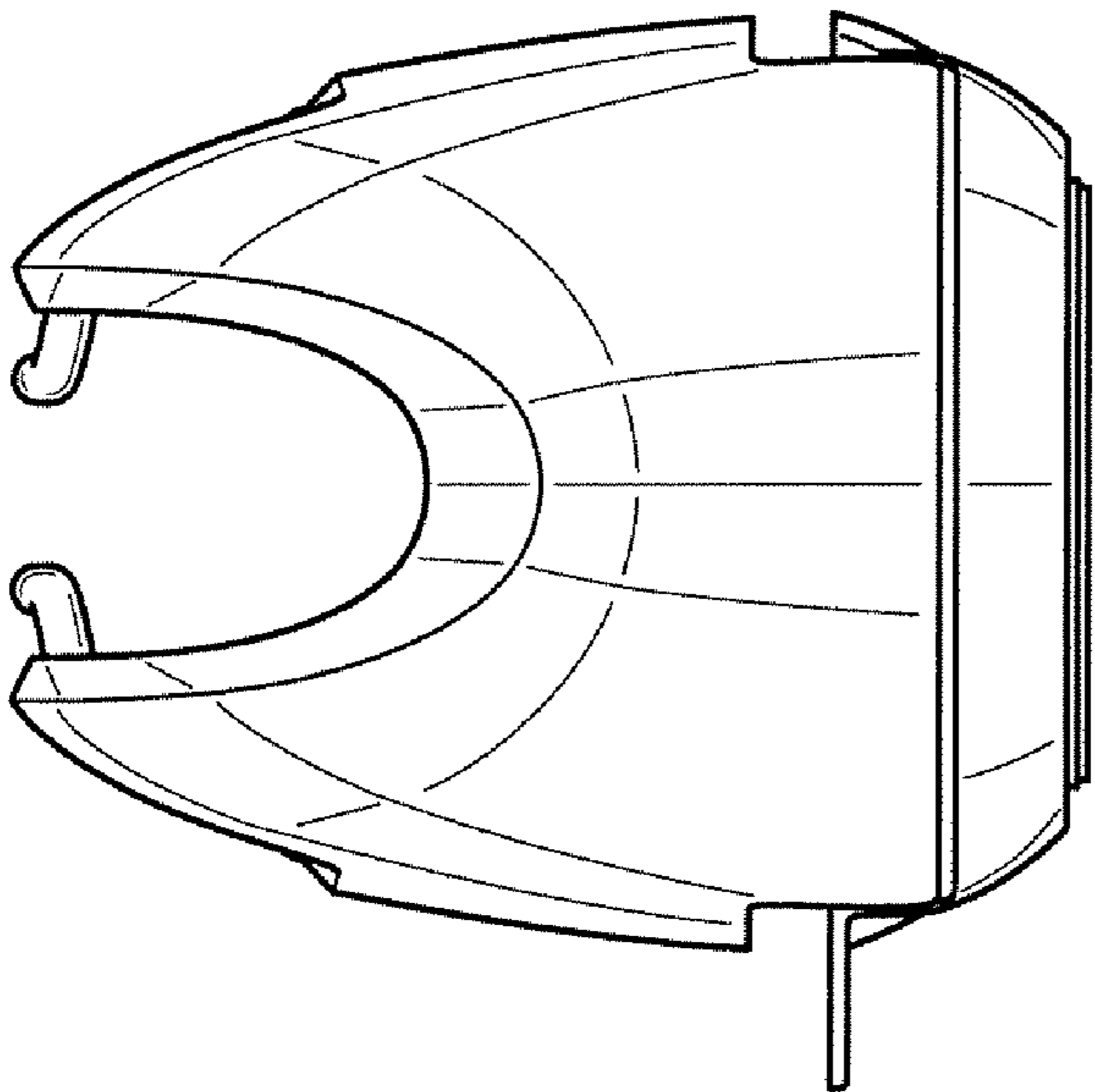


FIG. 4

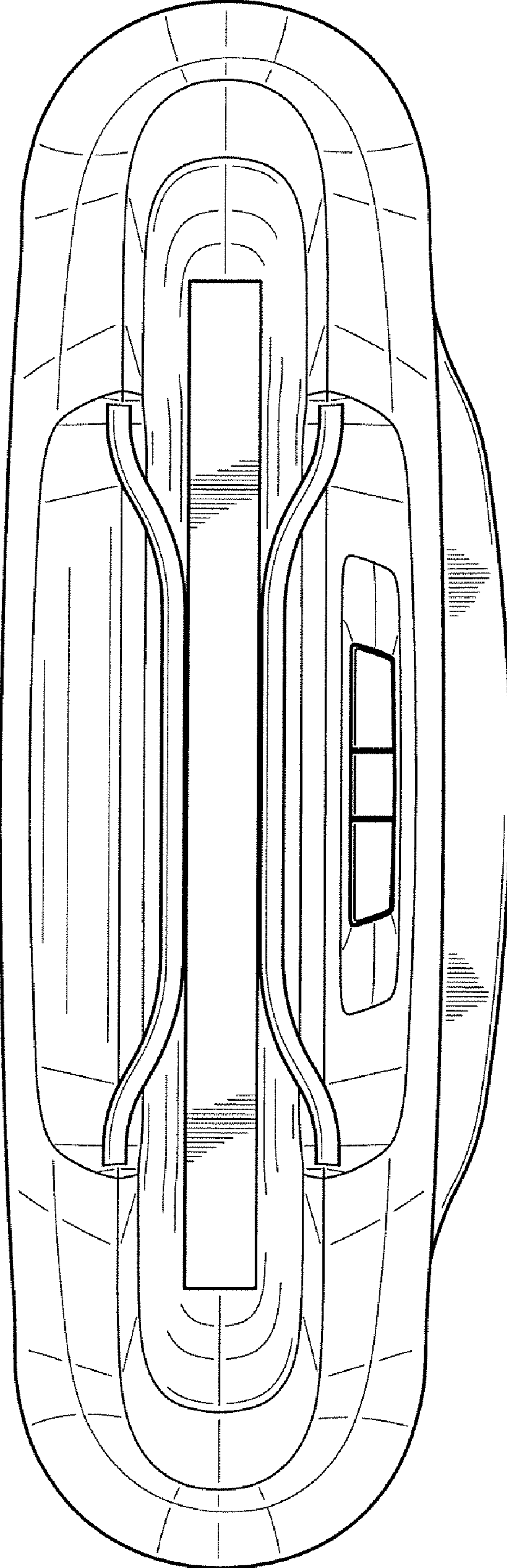


FIG. 6

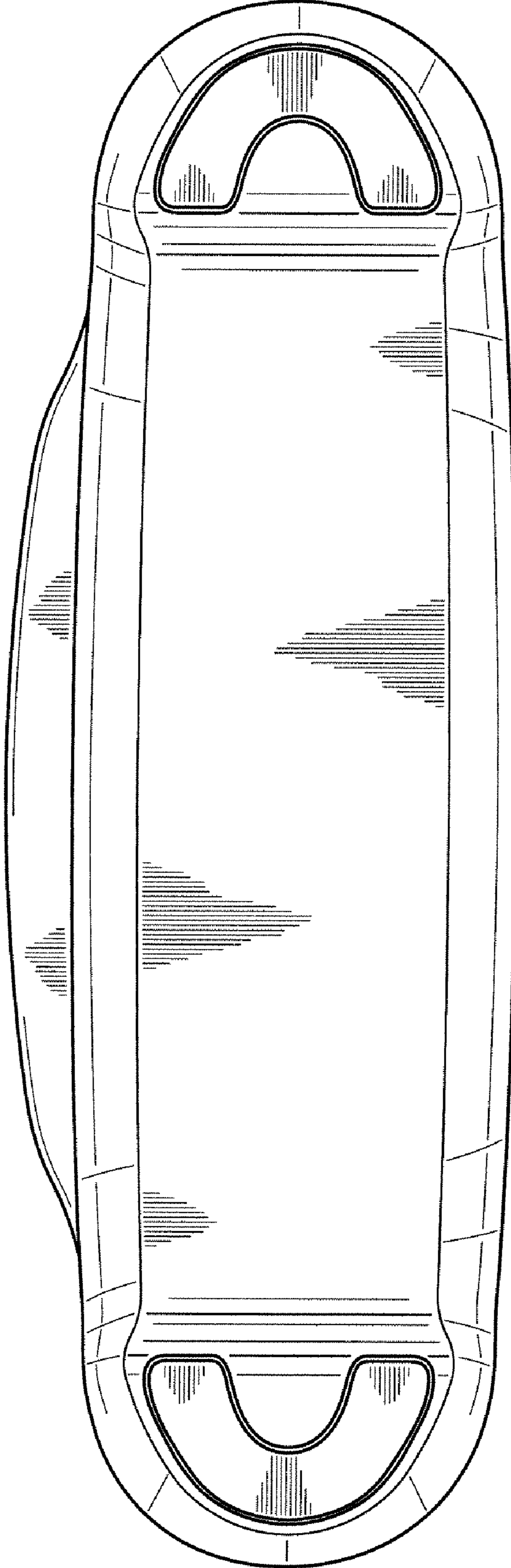


FIG. 7

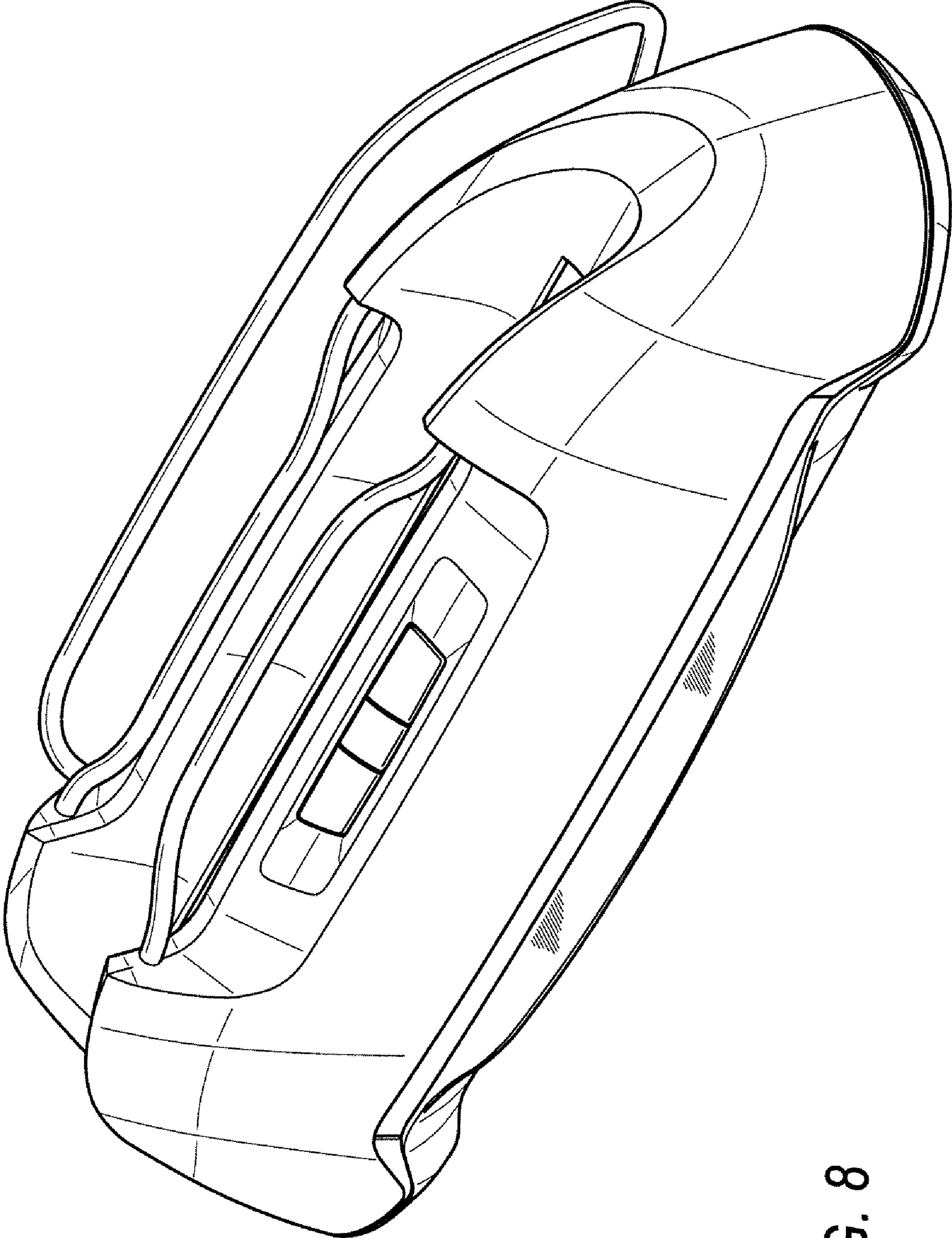


FIG. 8

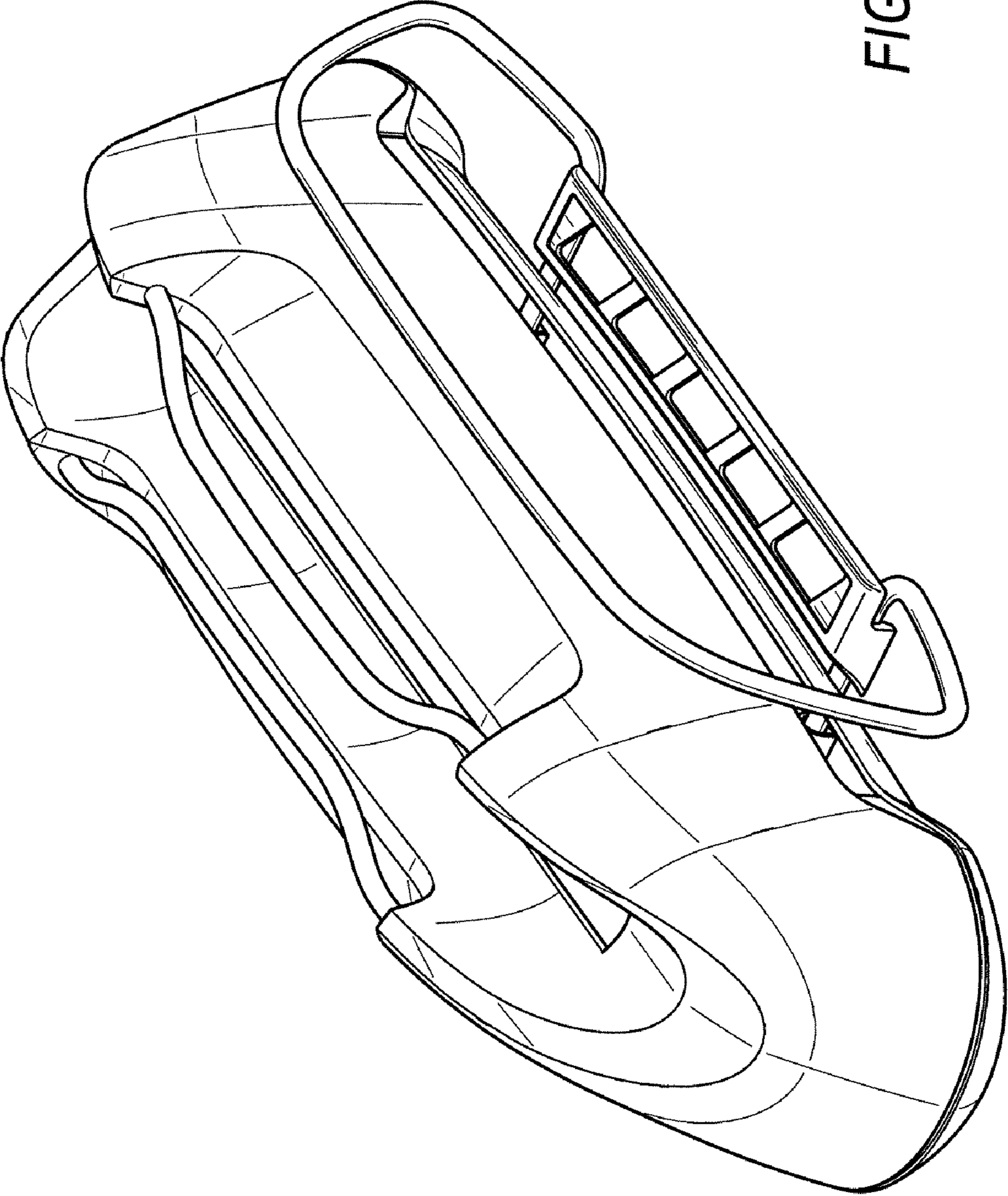


FIG. 9

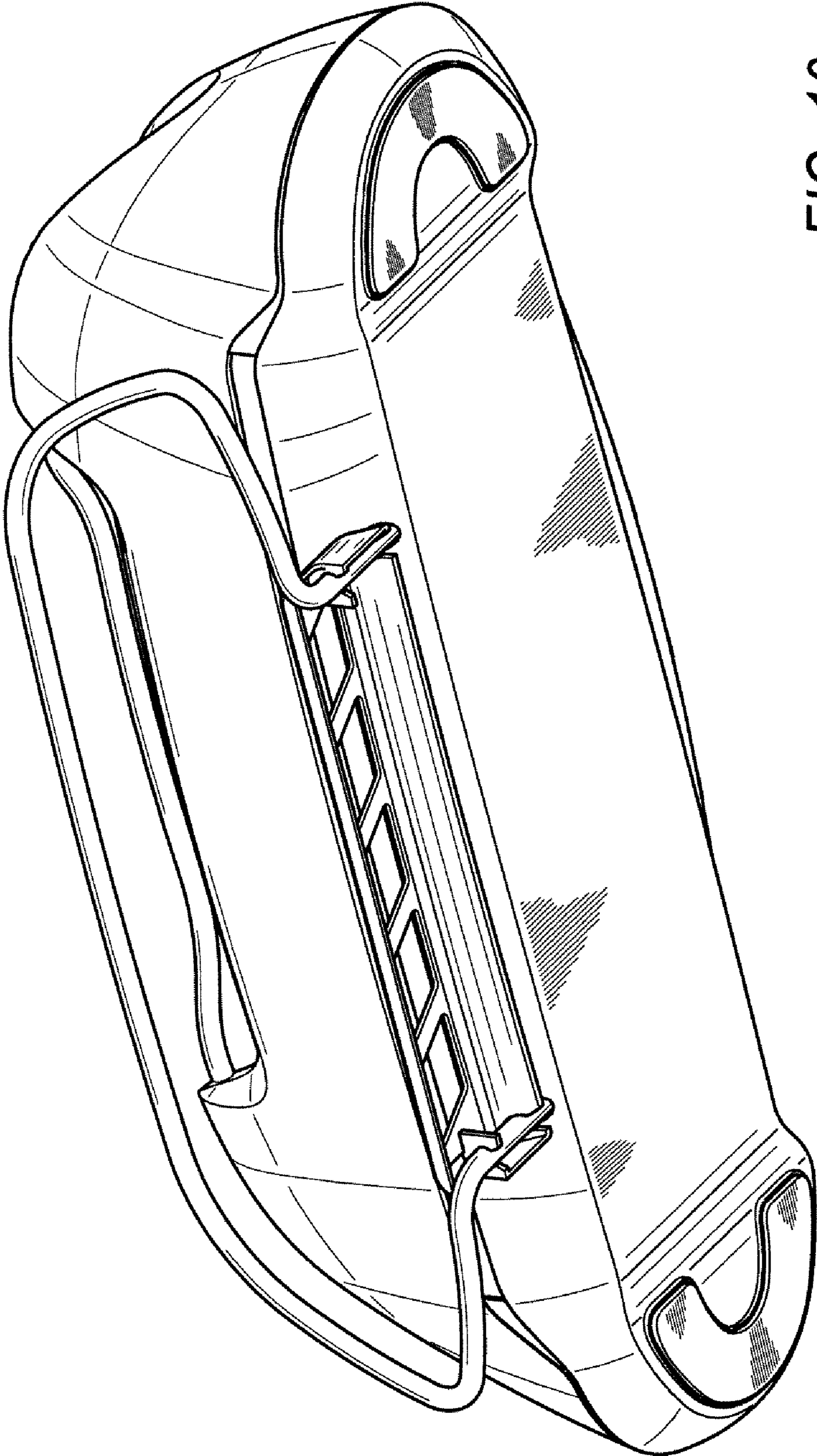


FIG. 10

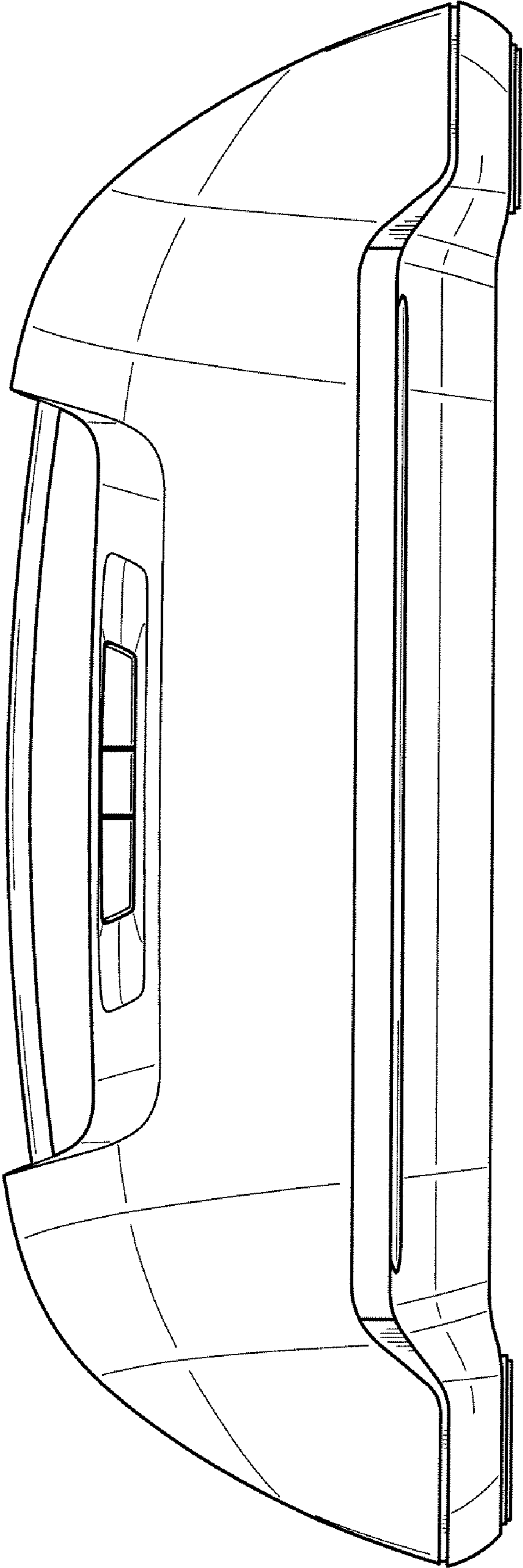


FIG. 11

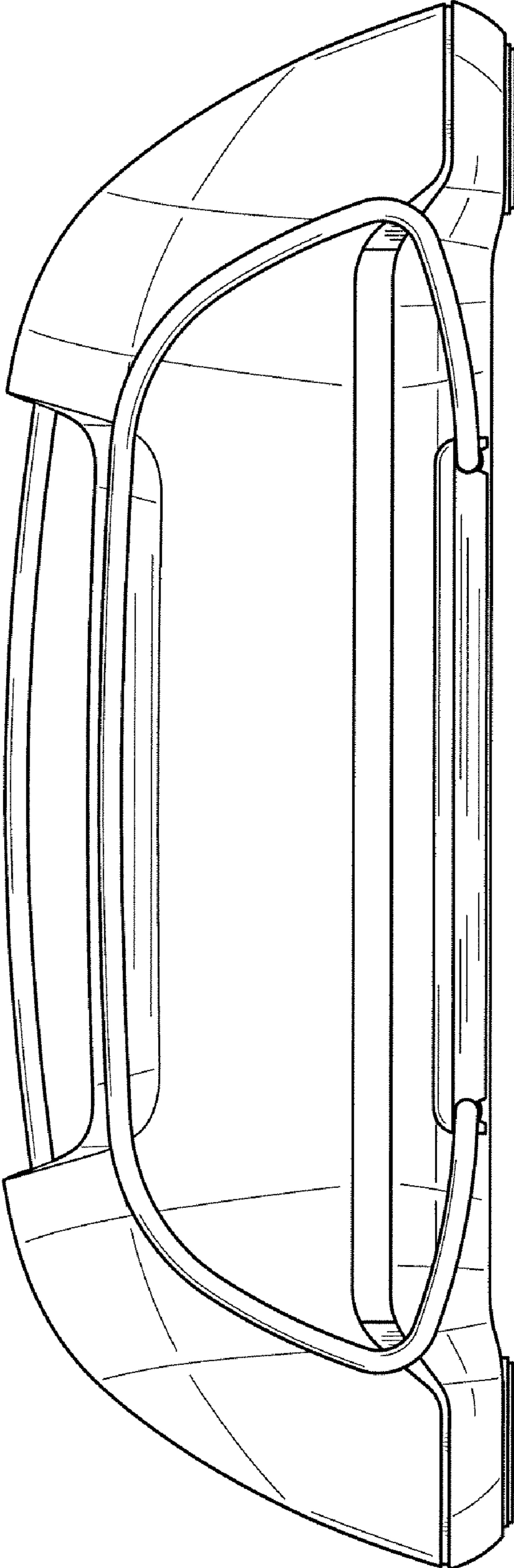


FIG. 12

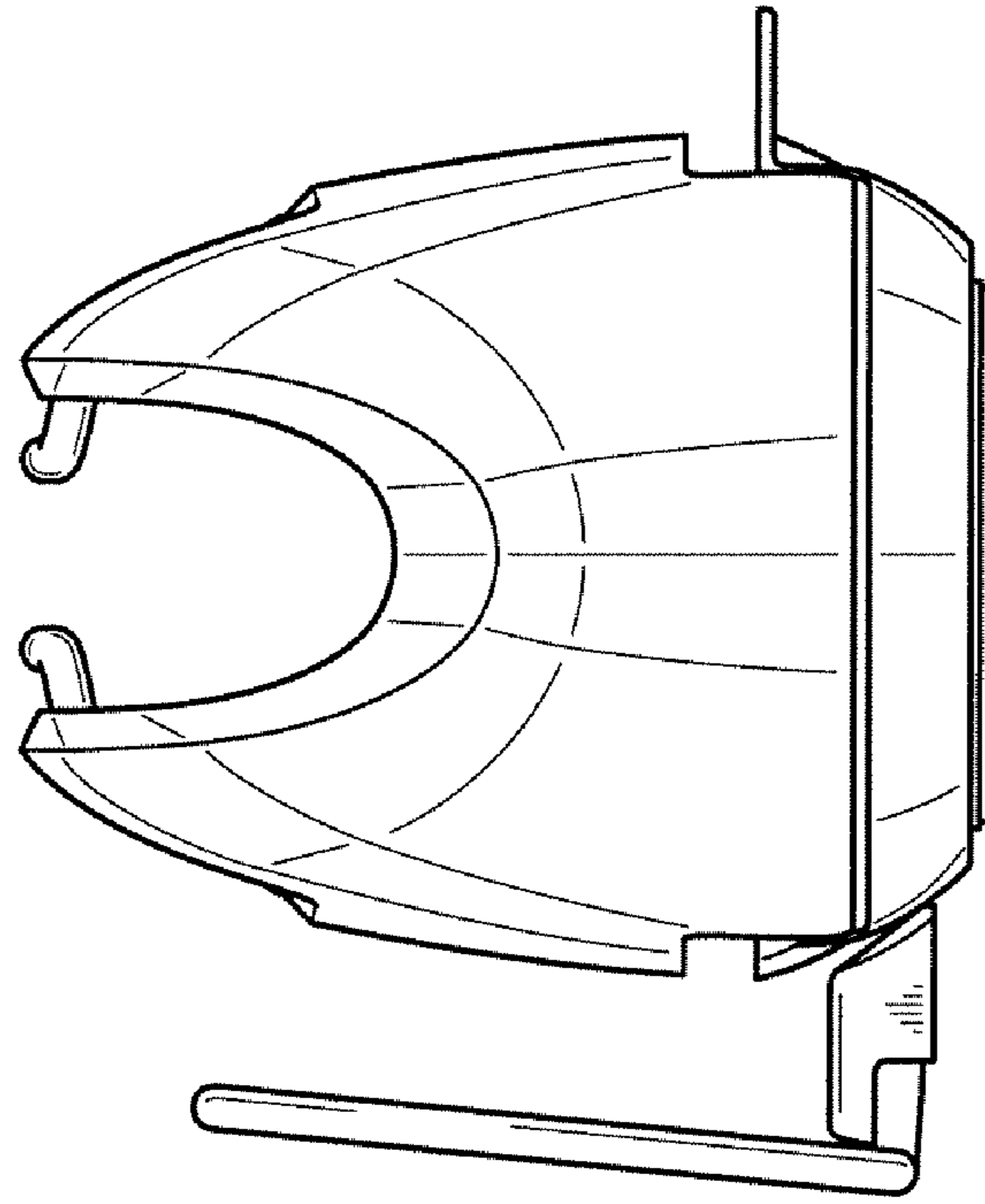


FIG. 14

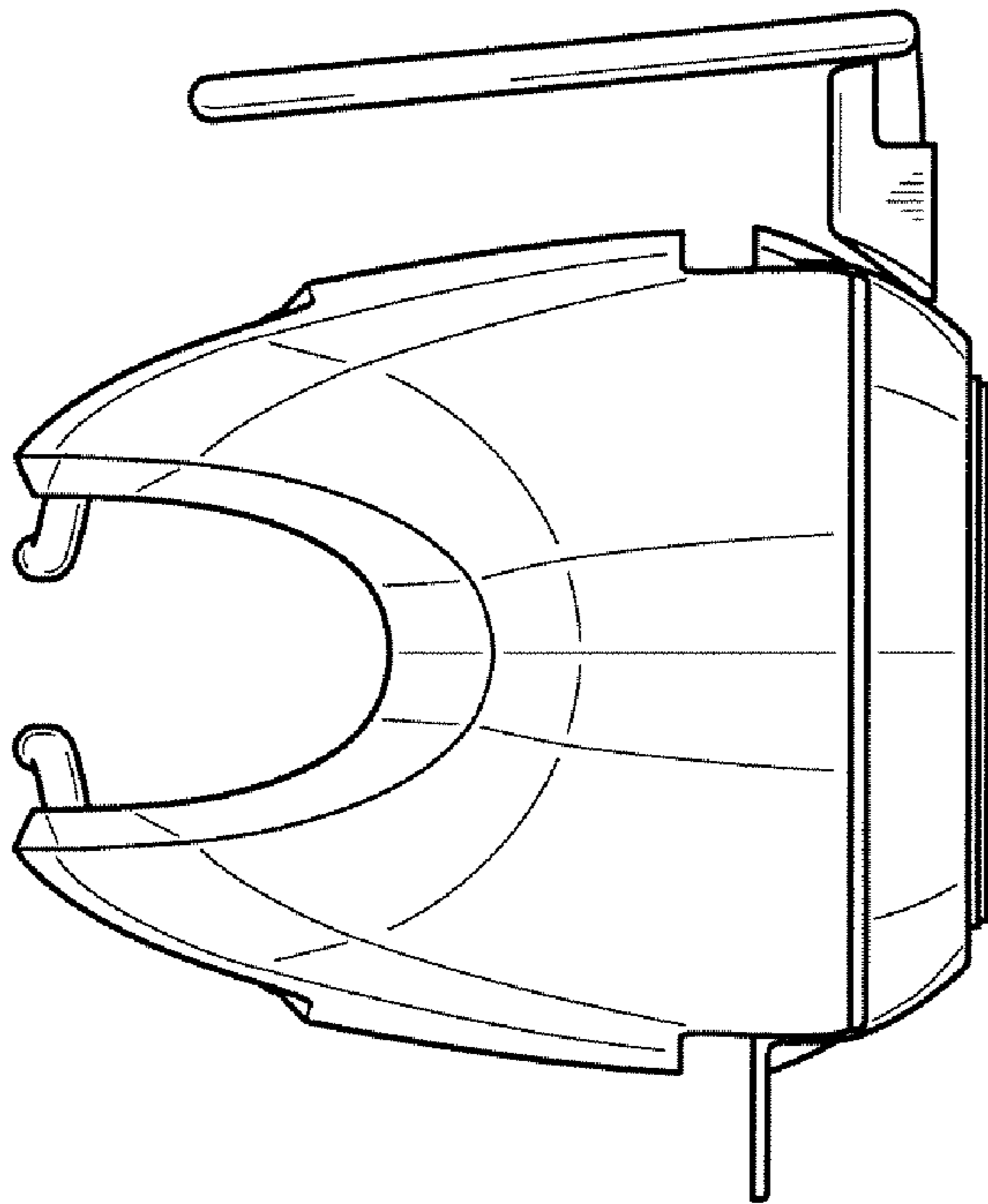


FIG. 13

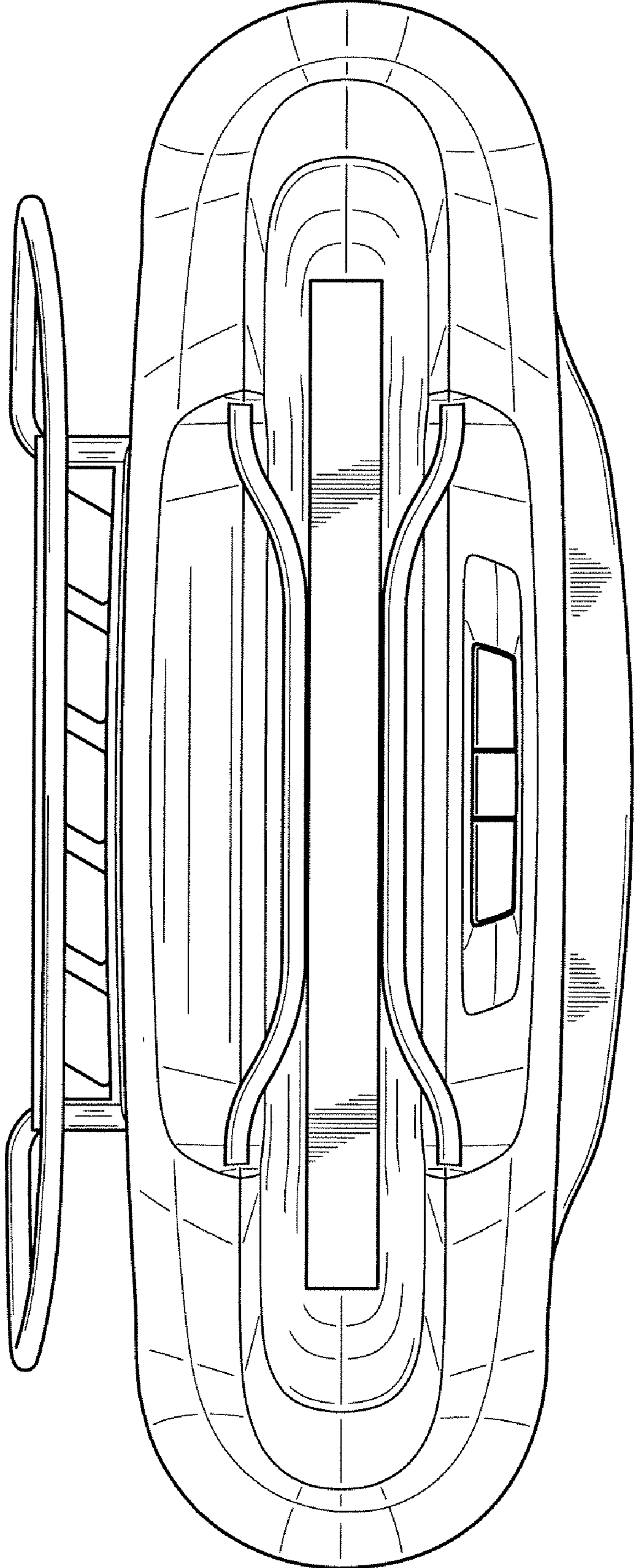


FIG. 15

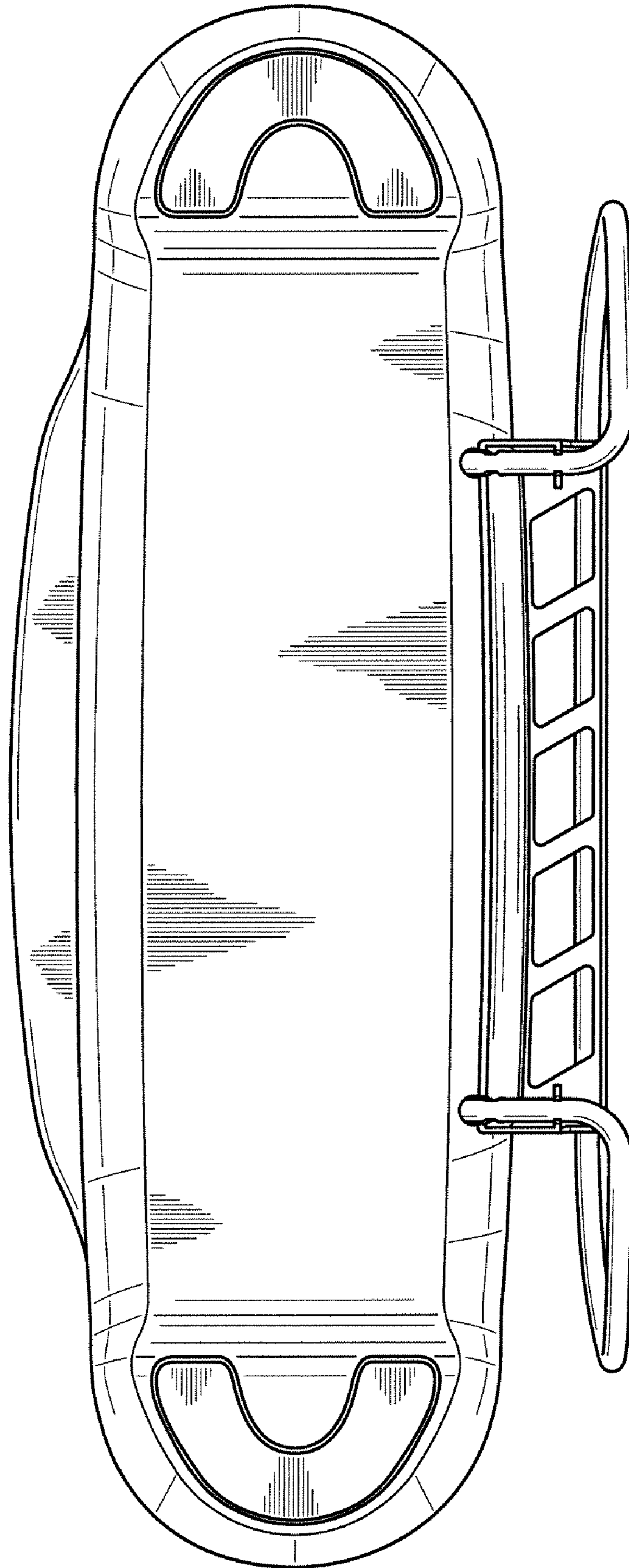


FIG. 16