



US00D601620S

(12) **United States Design Patent**
Mase et al.

(10) **Patent No.:** **US D601,620 S**
(45) **Date of Patent:** **** Oct. 6, 2009**

(54) **TAPE PRINTING MACHINE**

(75) Inventors: **Yosuke Mase**, Chita-gun (JP);
Mitsuharu Hattori, Nagoya (JP)

(73) Assignee: **Brother Industries, Ltd.**, Nagoya (JP)

(**) Term: **14 Years**

(21) Appl. No.: **29/334,042**

(22) Filed: **Mar. 19, 2009**

(30) **Foreign Application Priority Data**

Oct. 17, 2008 (JP) 2008-026831

(51) **LOC (9) Cl.** **18-02**

(52) **U.S. Cl.** **D18/19; D14/392; D13/168**

(58) **Field of Classification Search** D18/15-19,
D18/50, 7; 400/462-470, 613.1-613.4, 693,
400/208; 156/384, DIG. 48, DIG. 49; D19/68;
D13/164; D14/392

See application file for complete search history.

(56) **References Cited**

U.S. PATENT DOCUMENTS

- D360,890 S * 8/1995 Tremlett D18/19
- D367,075 S * 2/1996 Tremlett D18/19
- D377,190 S * 1/1997 Matsuda D18/7
- D389,859 S * 1/1998 Thuma et al. D18/14
- D394,079 S * 5/1998 Leung D18/7
- D408,439 S * 4/1999 Sirois et al. D18/7
- D447,766 S * 9/2001 Obara et al. D18/19

- D464,989 S * 10/2002 Bodum D18/7
- D491,977 S * 6/2004 Shimoki D18/19
- D496,683 S * 9/2004 Matsumoto et al. D18/19
- D526,004 S * 8/2006 Obenshain et al. D18/19
- D566,753 S * 4/2008 Suzuki et al. D18/19
- D580,478 S * 11/2008 Matsuda et al. D18/7
- D583,855 S * 12/2008 Oas D18/7
- D586,845 S * 2/2009 Pradere et al. D18/19

* cited by examiner

Primary Examiner—Charles A Rademaker

(74) *Attorney, Agent, or Firm*—Oliff & Berridge, PLC

(57) **CLAIM**

The ornamental design for a tape printing machine, as shown and described.

DESCRIPTION

FIG. 1 is a perspective view of a tape printing machine showing our new design;

FIG. 2 is a right side elevation thereof;

FIG. 3 is a top plan view thereof;

FIG. 4 is an end elevation thereof;

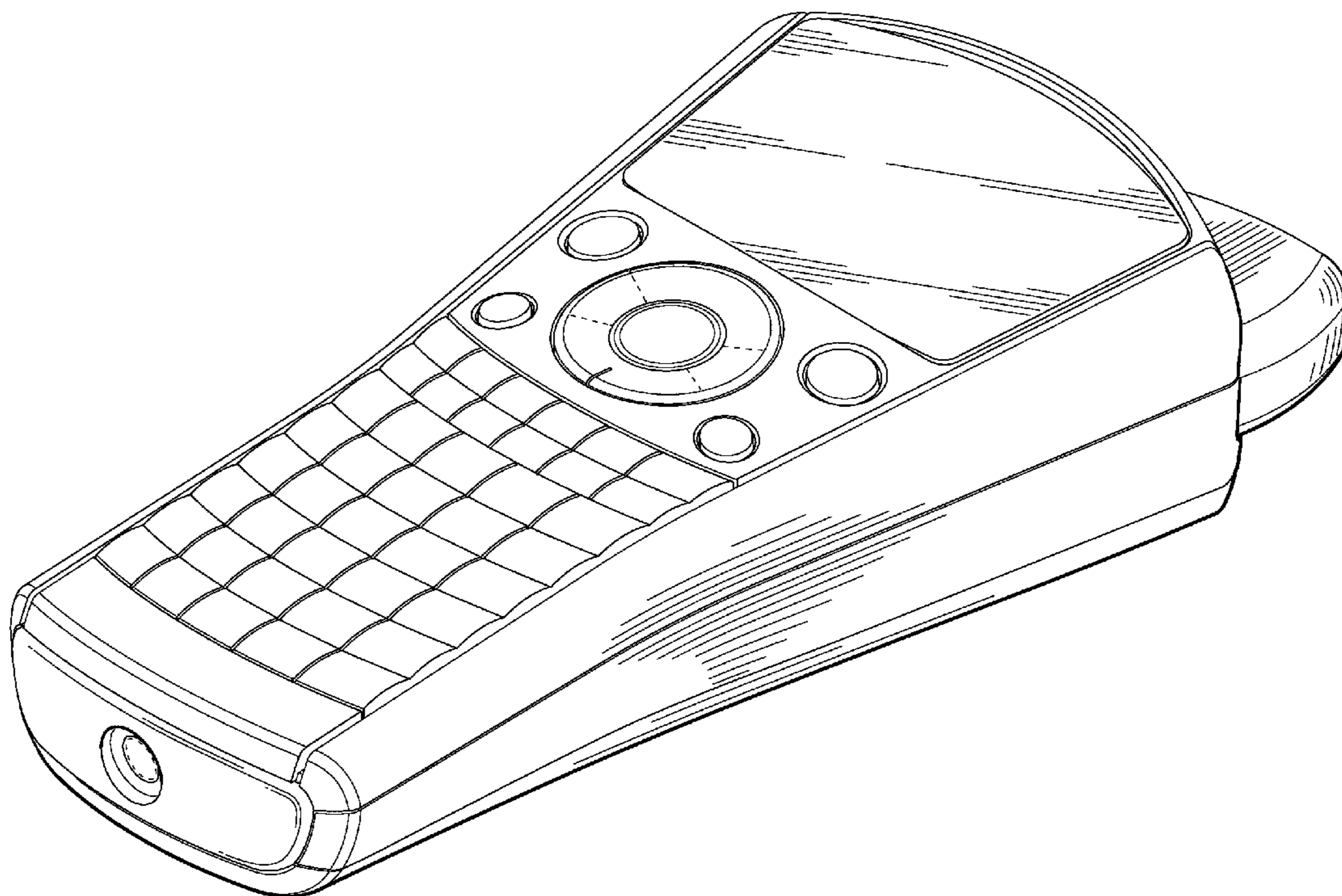
FIG. 5 is an elevation of the end opposite that shown in FIG. 4;

FIG. 6 is a left side elevation thereof;

FIG. 7 is a bottom plan view thereof; and,

FIG. 8 is a bottom perspective view thereof.

1 Claim, 7 Drawing Sheets



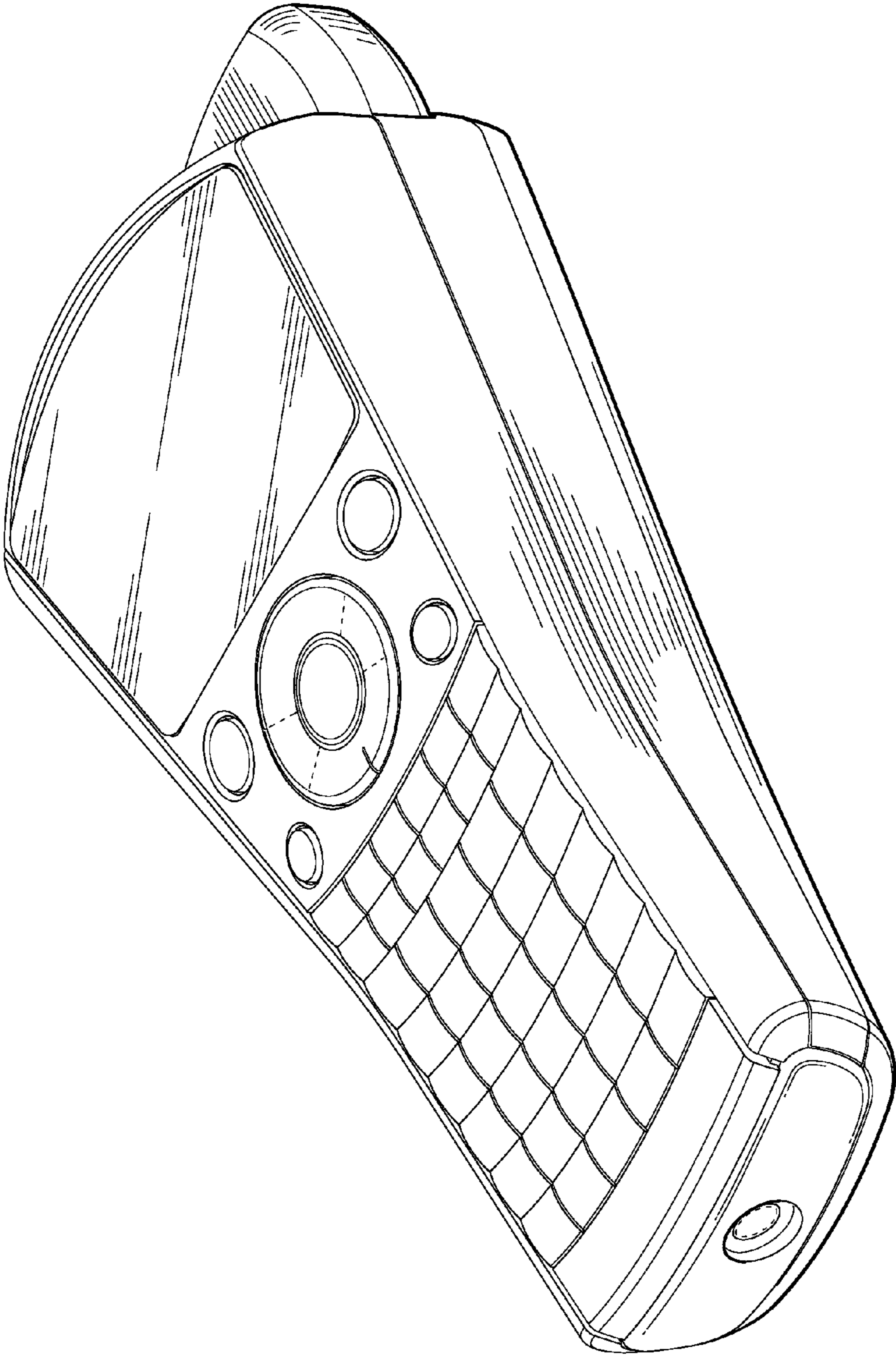


FIG. 1

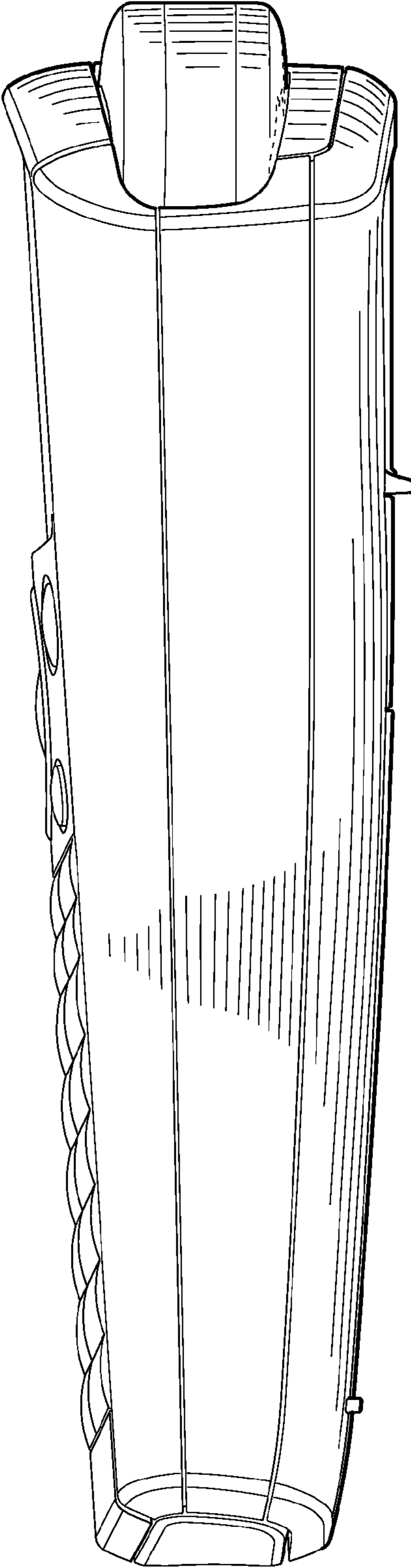


FIG. 2

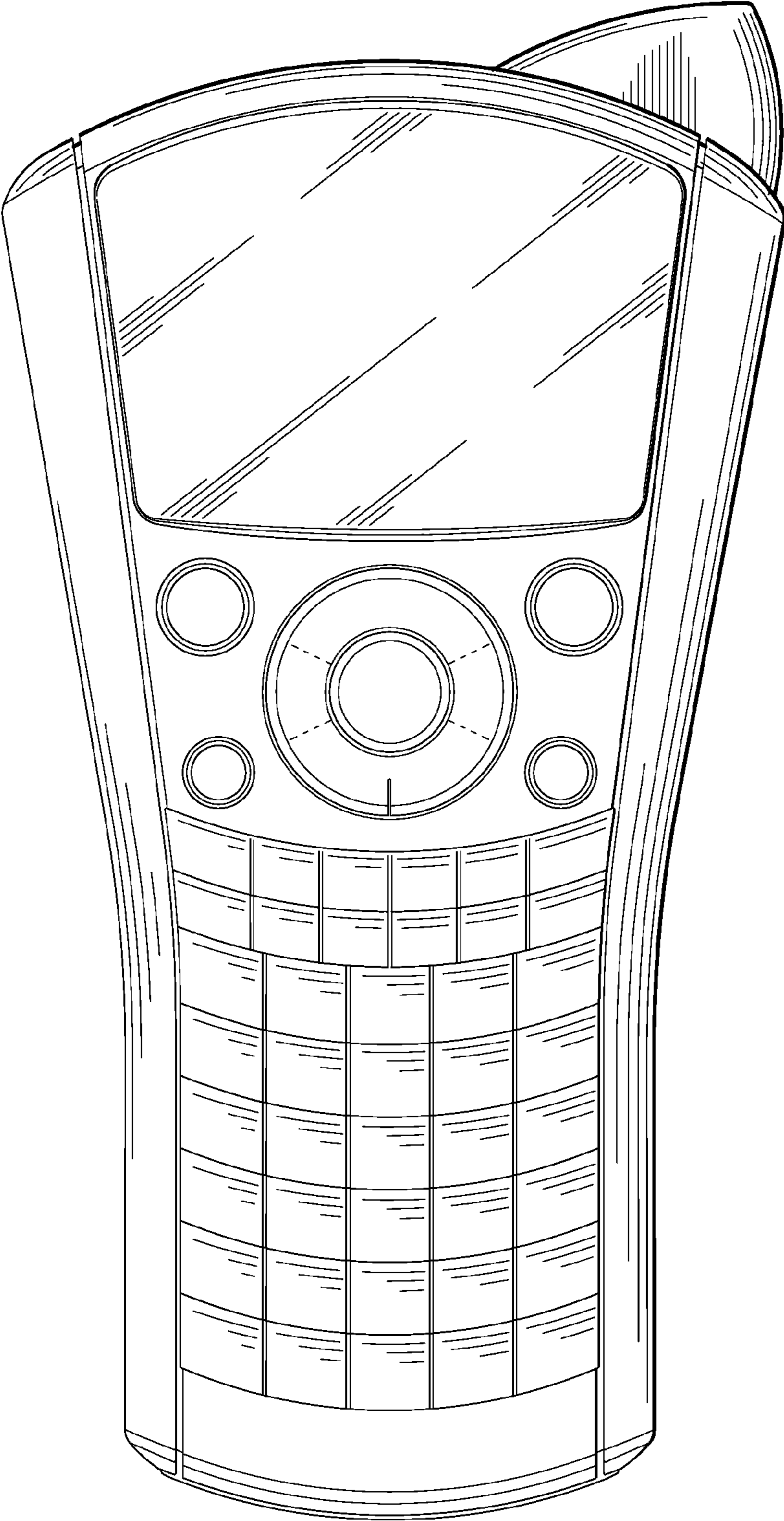


FIG. 3

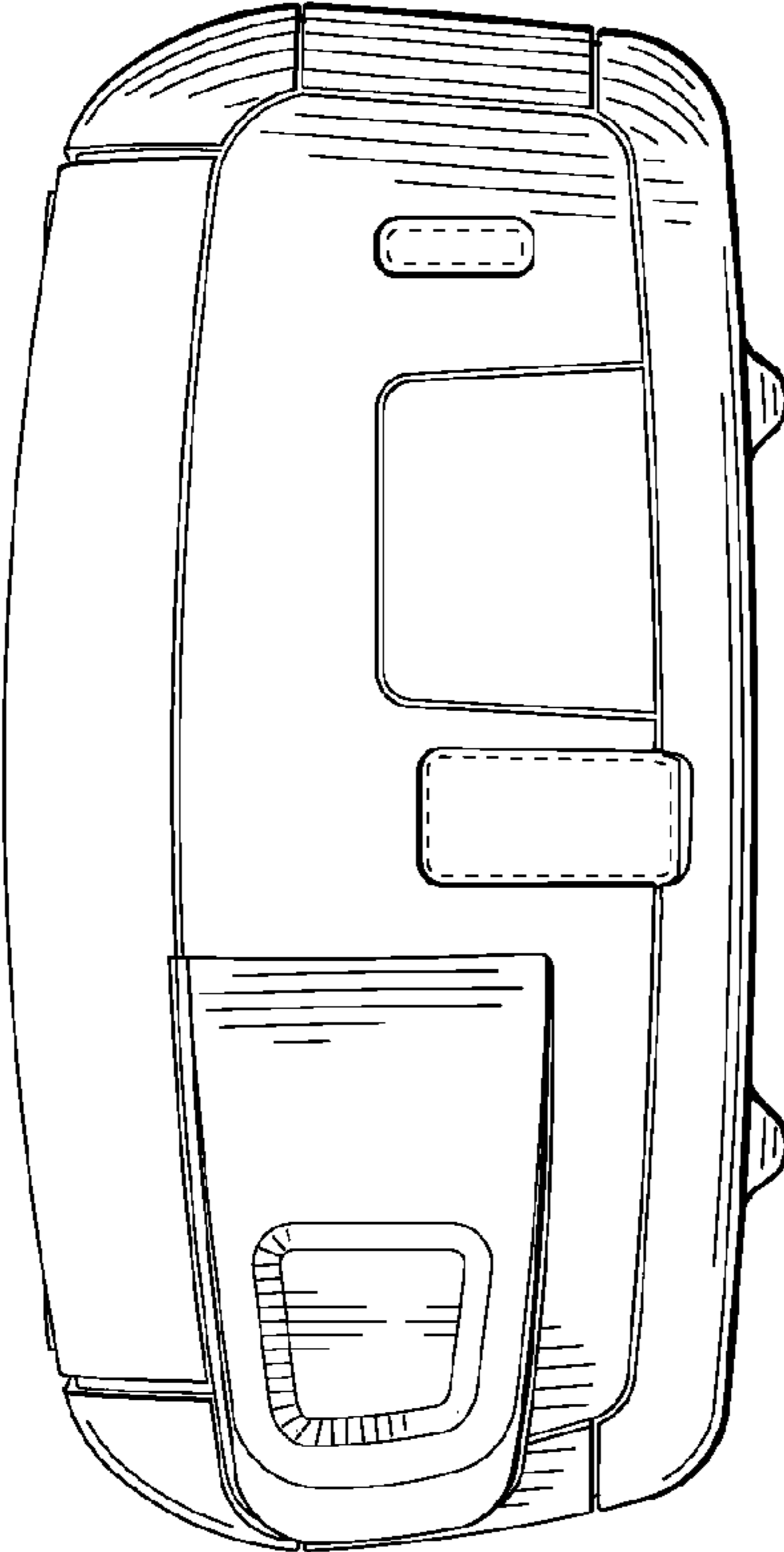


FIG. 4

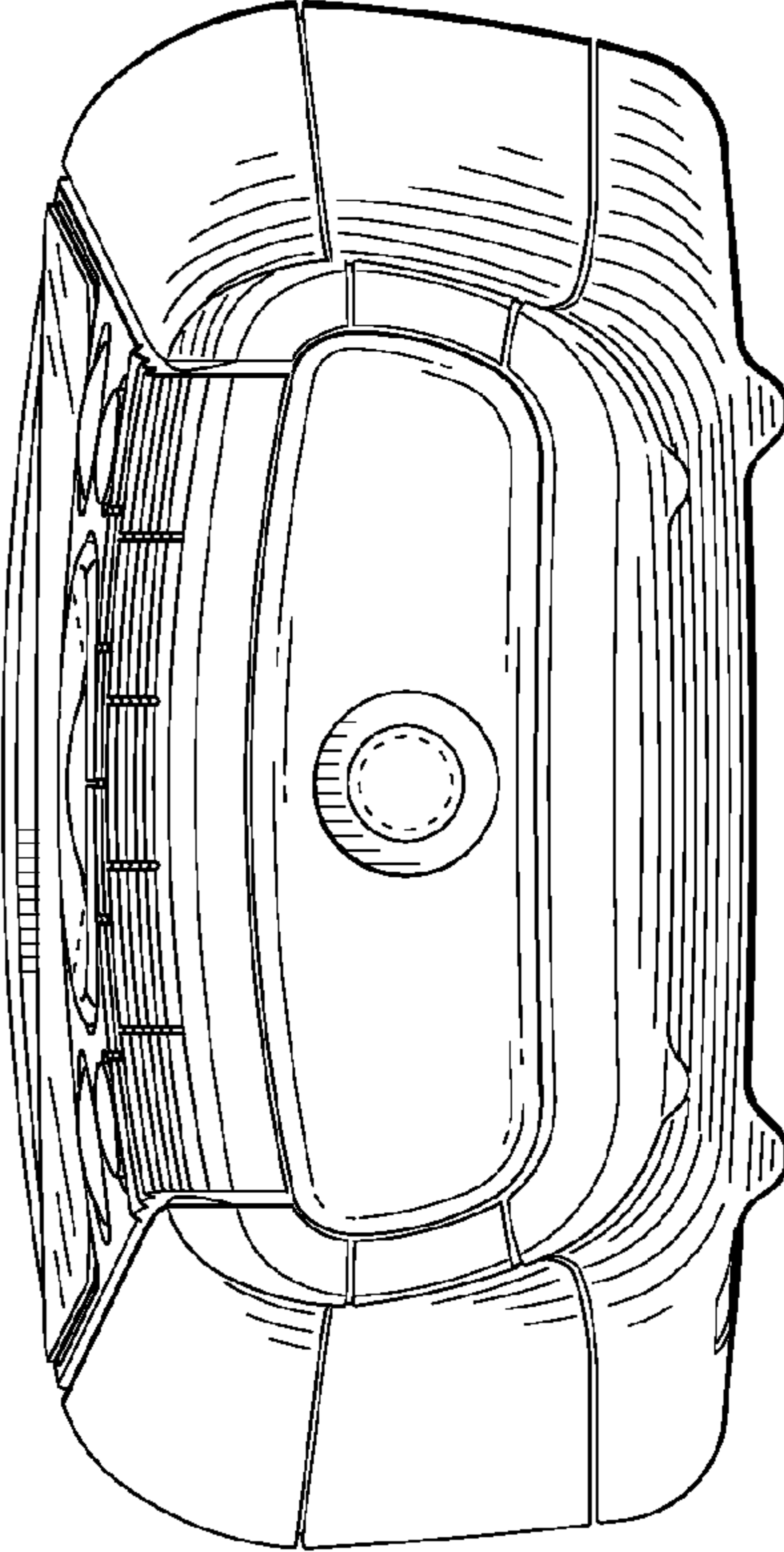


FIG. 5

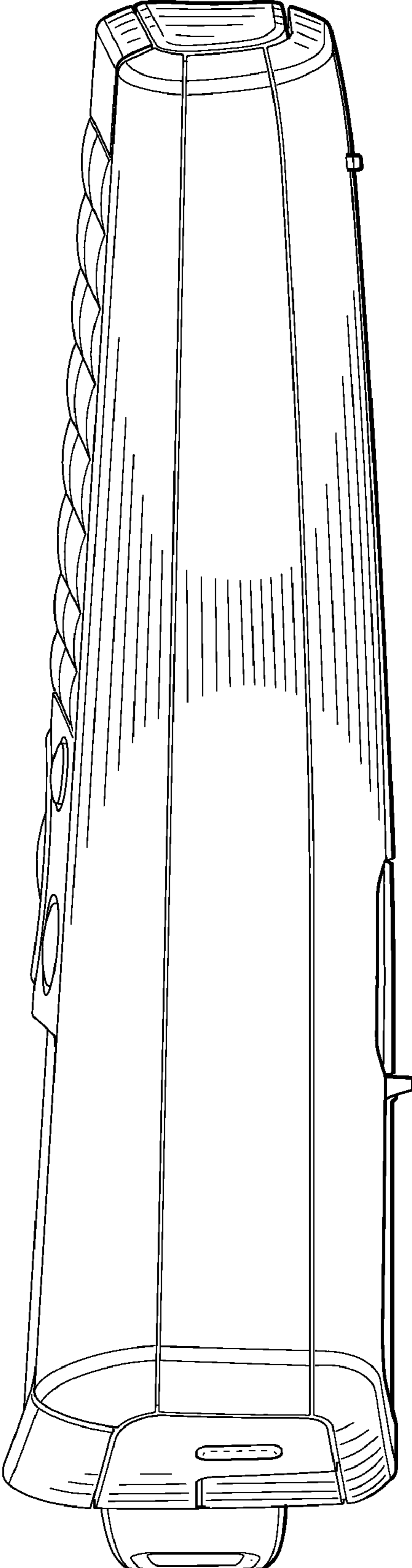


FIG. 6

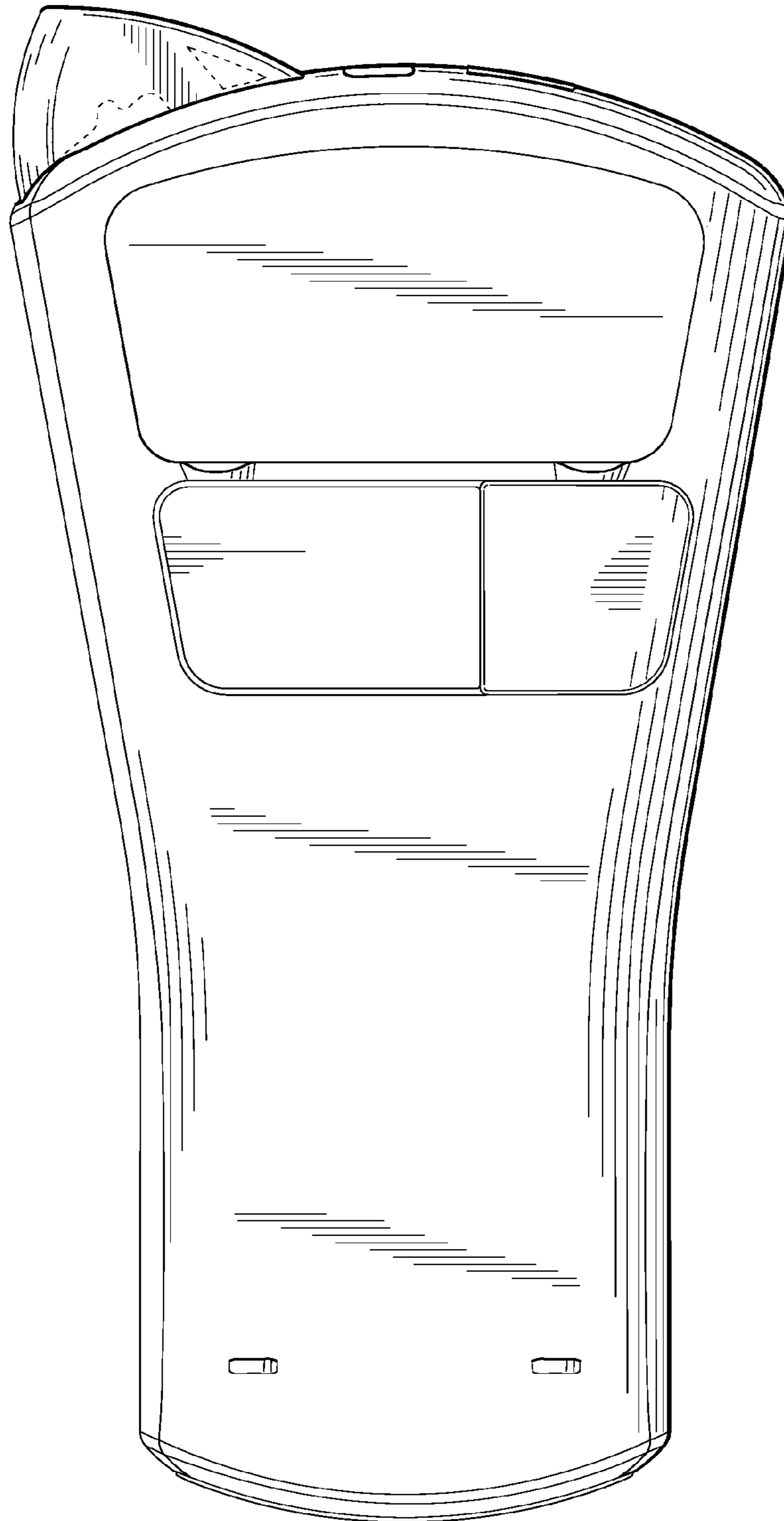


FIG. 7

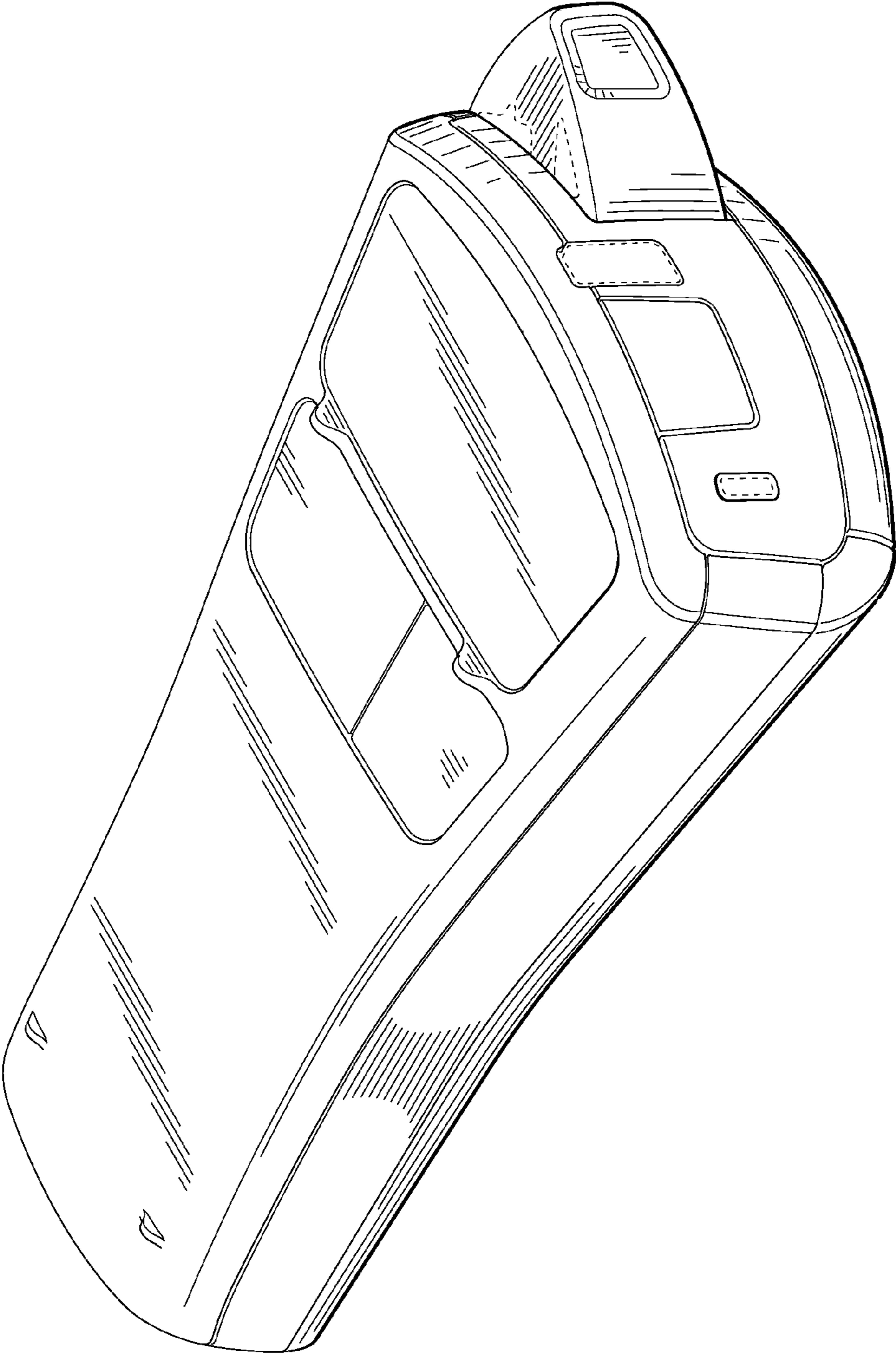


FIG. 8