



US00D601619S

(12) **United States Design Patent**  
**Hattori**

(10) **Patent No.:** **US D601,619 S**

(45) **Date of Patent:** **\*\* Oct. 6, 2009**

(54) **TAPE PRINTING MACHINE**

(75) Inventor: **Mitsuharu Hattori**, Nagoya (JP)

(73) Assignee: **Brother Industries, Ltd.**, Nagoya (JP)

(\*\*) Term: **14 Years**

(21) Appl. No.: **29/328,514**

(22) Filed: **Nov. 25, 2008**

(30) **Foreign Application Priority Data**

May 26, 2008 (JP) ..... D2008-013124

(51) **LOC (9) Cl.** ..... **18-02**

(52) **U.S. Cl.** ..... **D18/19; D14/392**

(58) **Field of Classification Search** ..... D18/15-19,  
D18/50, 7; 400/462-470, 613.1-613.4; 156/384,  
156/DIG. 48, DIG. 49; D19/68; D13/164;  
D14/392

See application file for complete search history.

(56) **References Cited**

**U.S. PATENT DOCUMENTS**

- D363,082 S \* 10/1995 Watanabe et al. .... D18/19
- D367,289 S \* 2/1996 Chung ..... D18/7
- D400,197 S \* 10/1998 Aubuchon et al. .... D14/392
- D444,494 S \* 7/2001 Shimoki et al. .... D18/19
- D457,912 S \* 5/2002 Shigemura et al. .... D18/19

- D477,629 S \* 7/2003 Hattori et al. .... D18/19
- D477,837 S \* 7/2003 Hattori et al. .... D18/19
- D490,842 S \* 6/2004 Kamiya et al. .... D18/19
- D503,190 S \* 3/2005 Hattori ..... D18/19
- D525,648 S \* 7/2006 Hattori ..... D18/19
- D526,344 S \* 8/2006 Sakuma et al. .... D18/19

\* cited by examiner

*Primary Examiner*—Charles A Rademaker

(74) *Attorney, Agent, or Firm*—Oliff & Berridge, PLC

(57) **CLAIM**

The ornamental design for a tape printing machine, as shown and described.

**DESCRIPTION**

FIG. 1 is a perspective view of a tape printing machine;

FIG. 2 is a front view thereof;

FIG. 3 is a top view thereof;

FIG. 4 is a right-side view thereof;

FIG. 5 is a left-side view thereof;

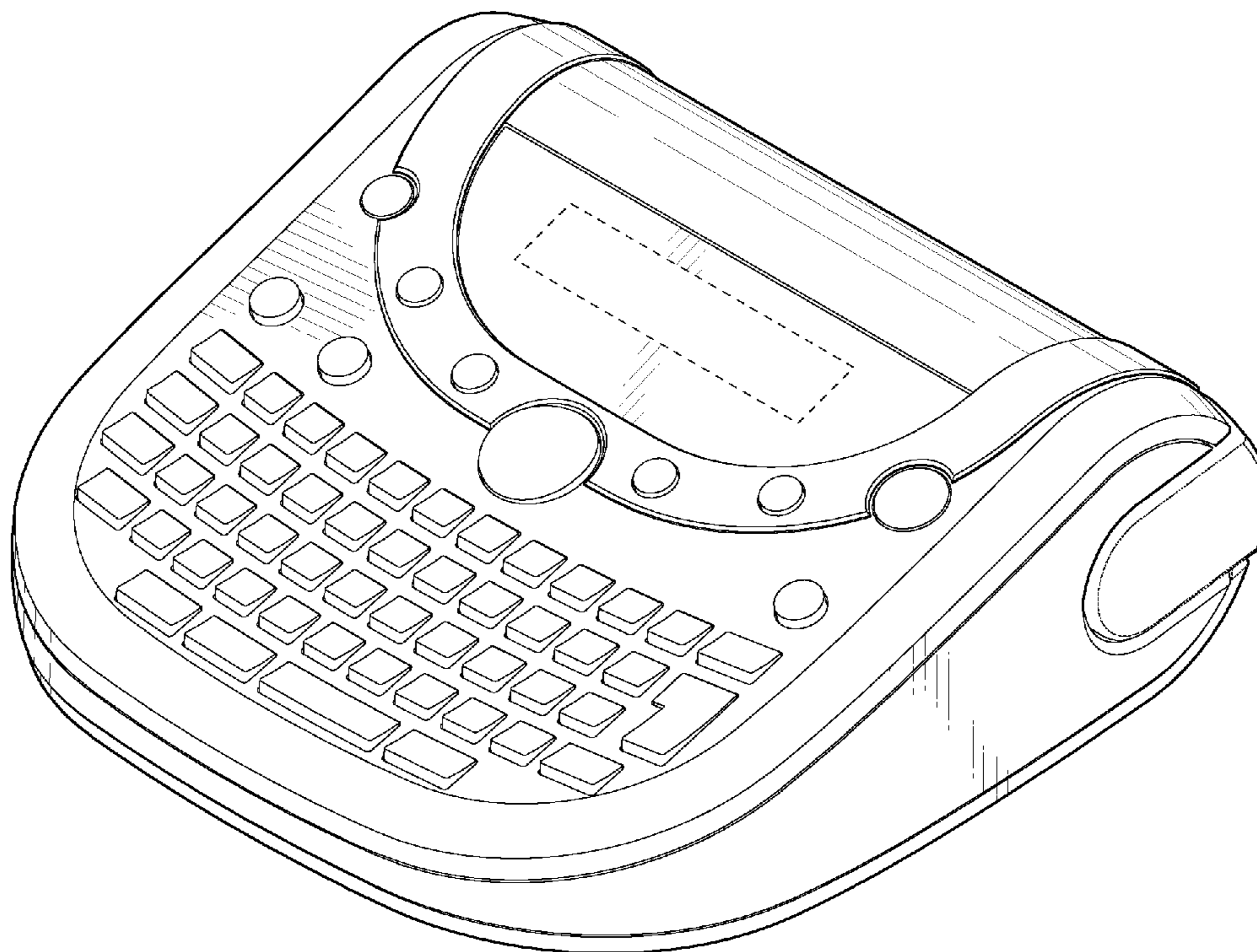
FIG. 6 is a rear view thereof;

FIG. 7 is a bottom view thereof; and,

FIG. 8 is another perspective view thereof.

The broken lines depict environmental subject matter only and form no part of the claimed design.

**1 Claim, 7 Drawing Sheets**



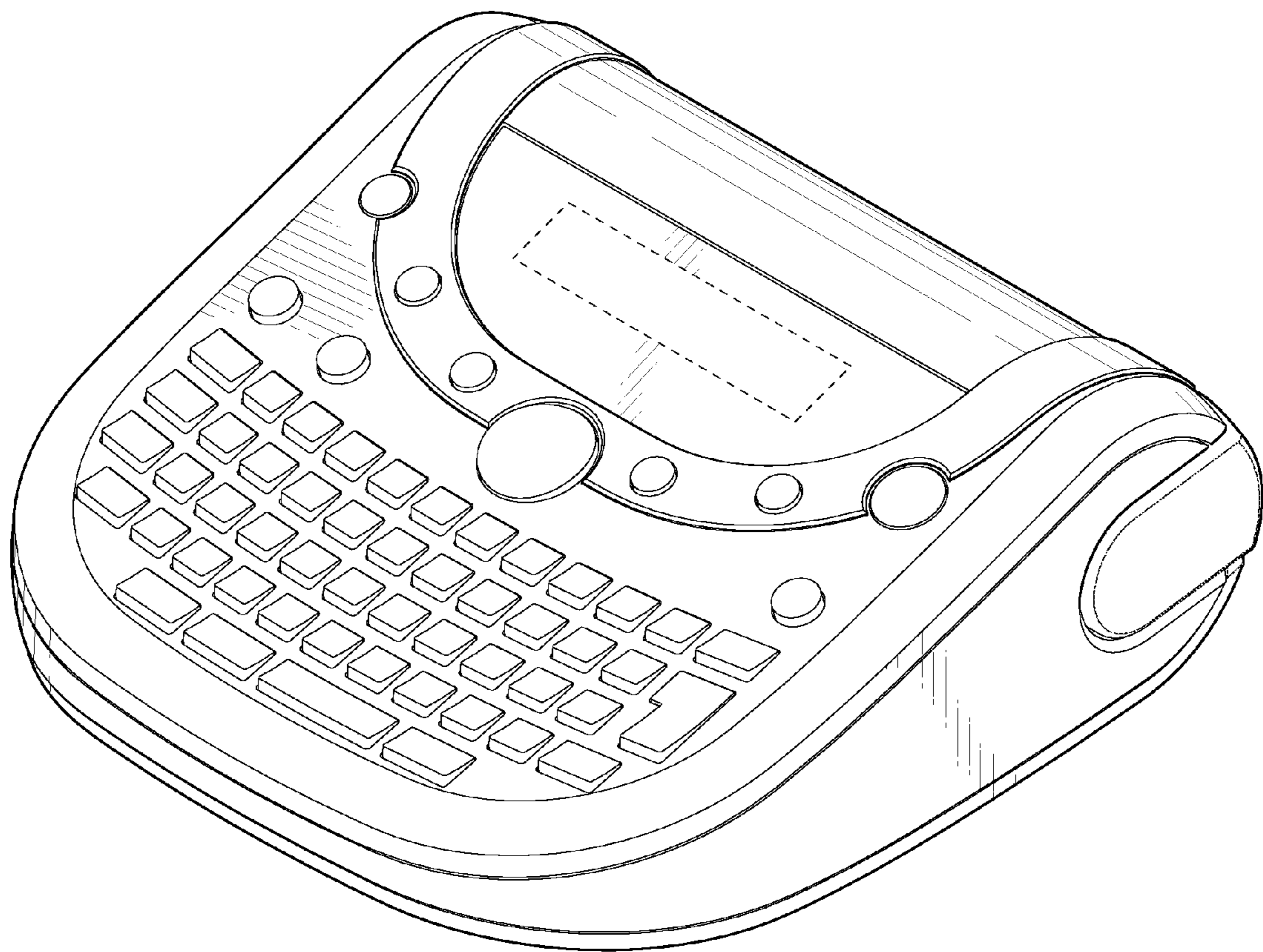


FIG. 1

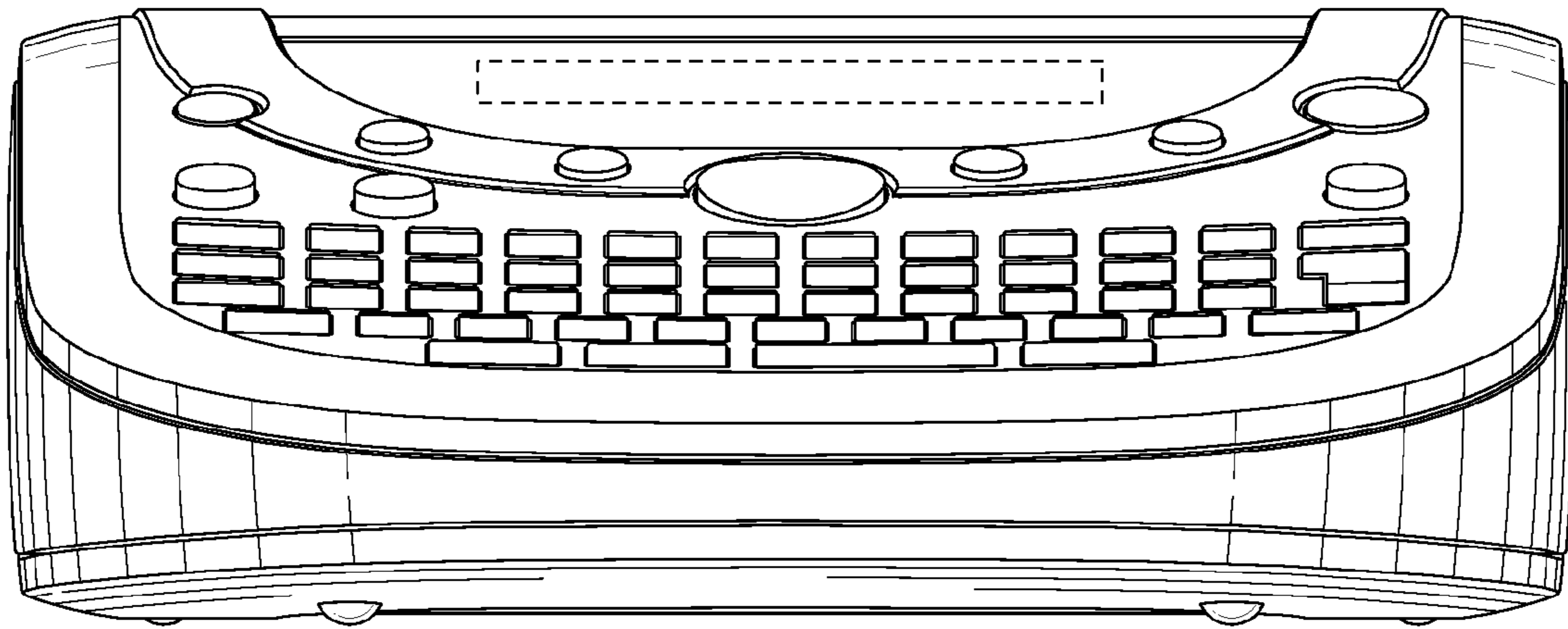


FIG. 2

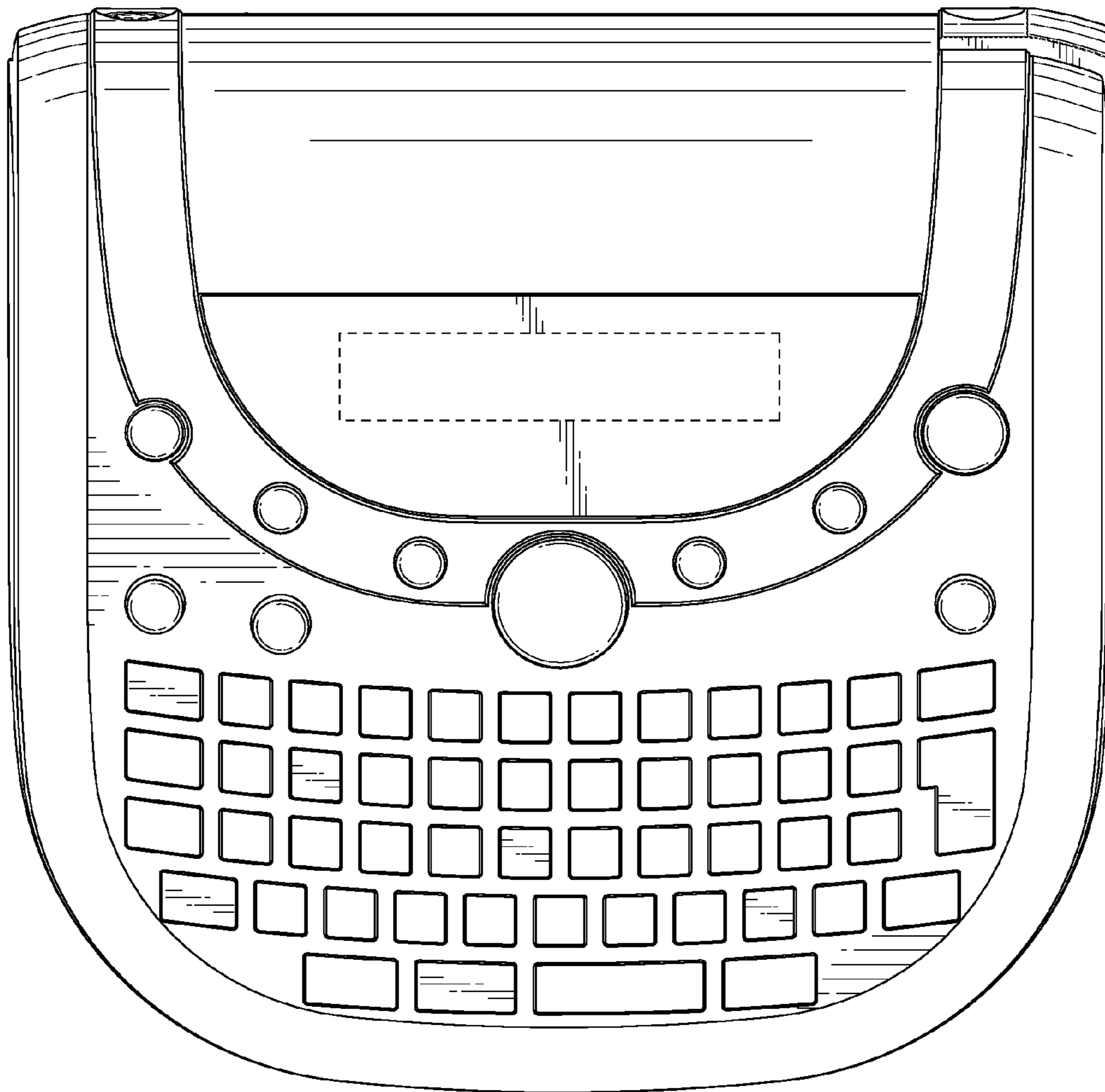


FIG. 3

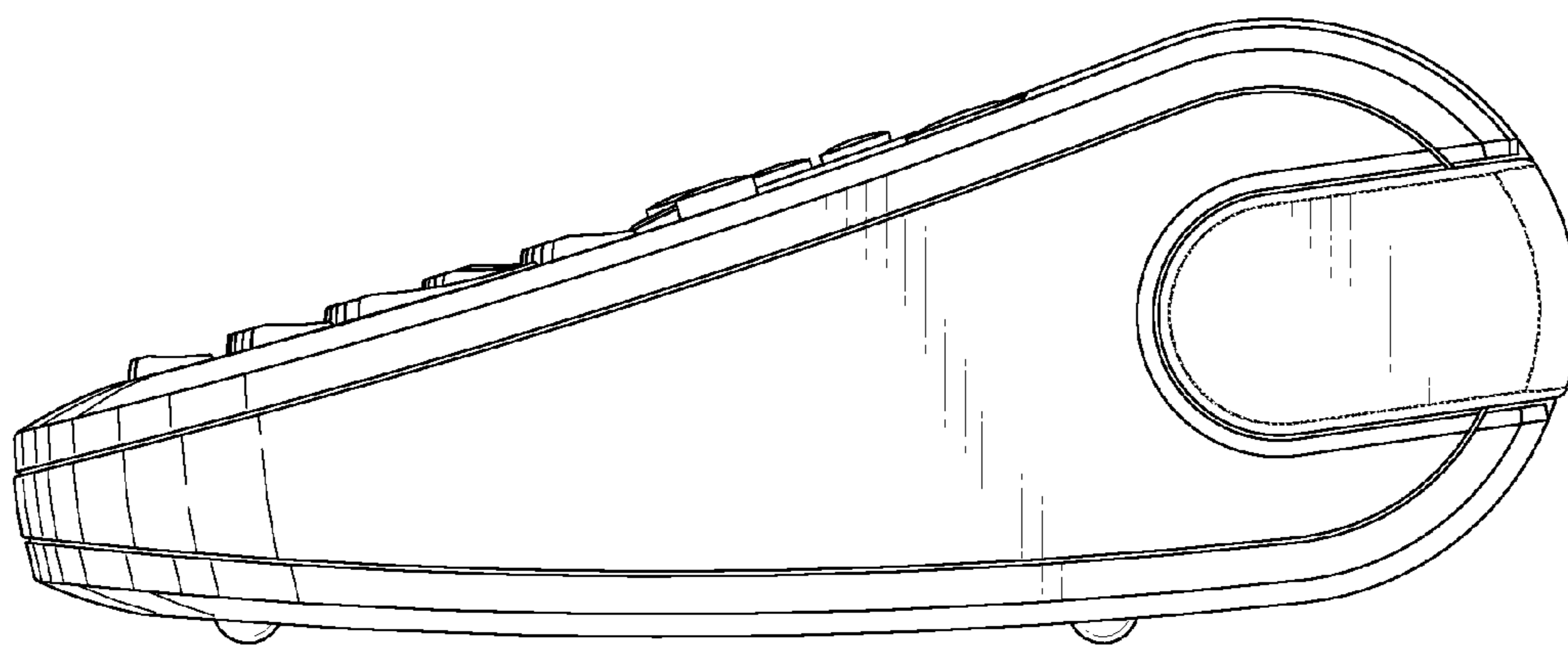


FIG. 4

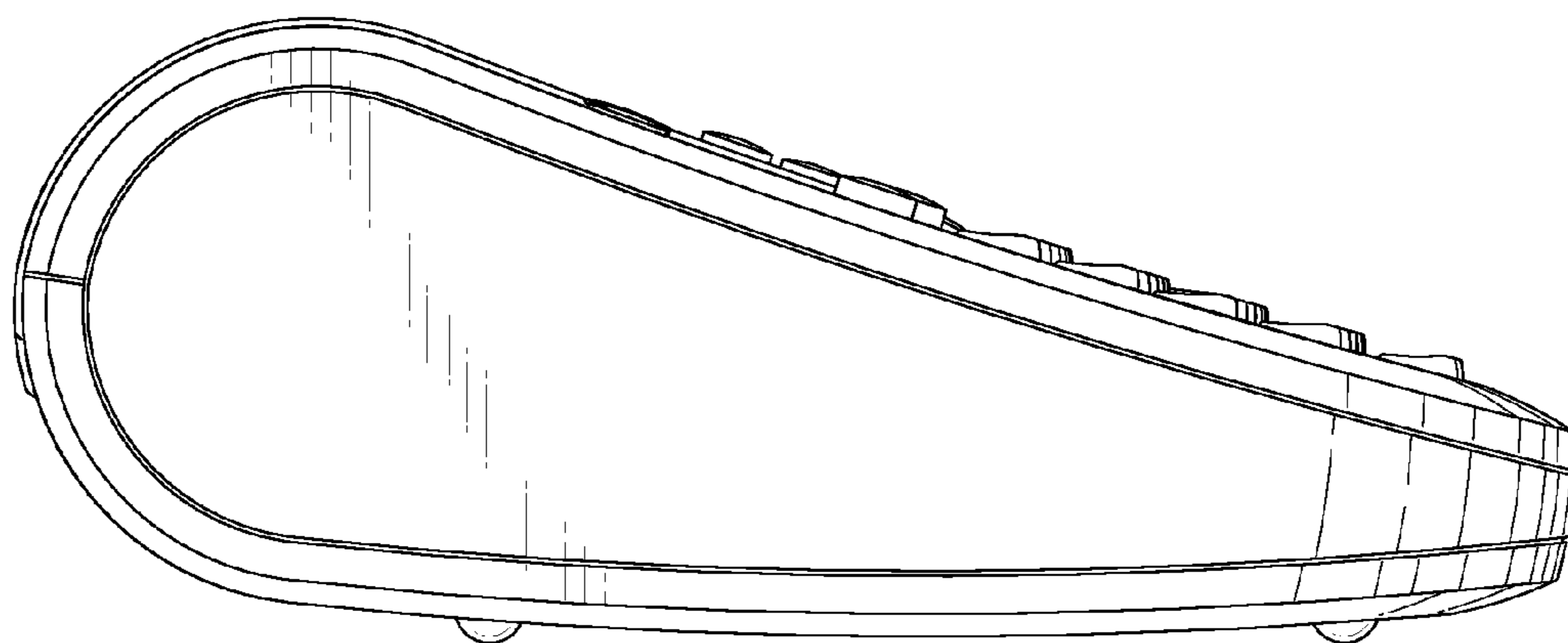


FIG. 5

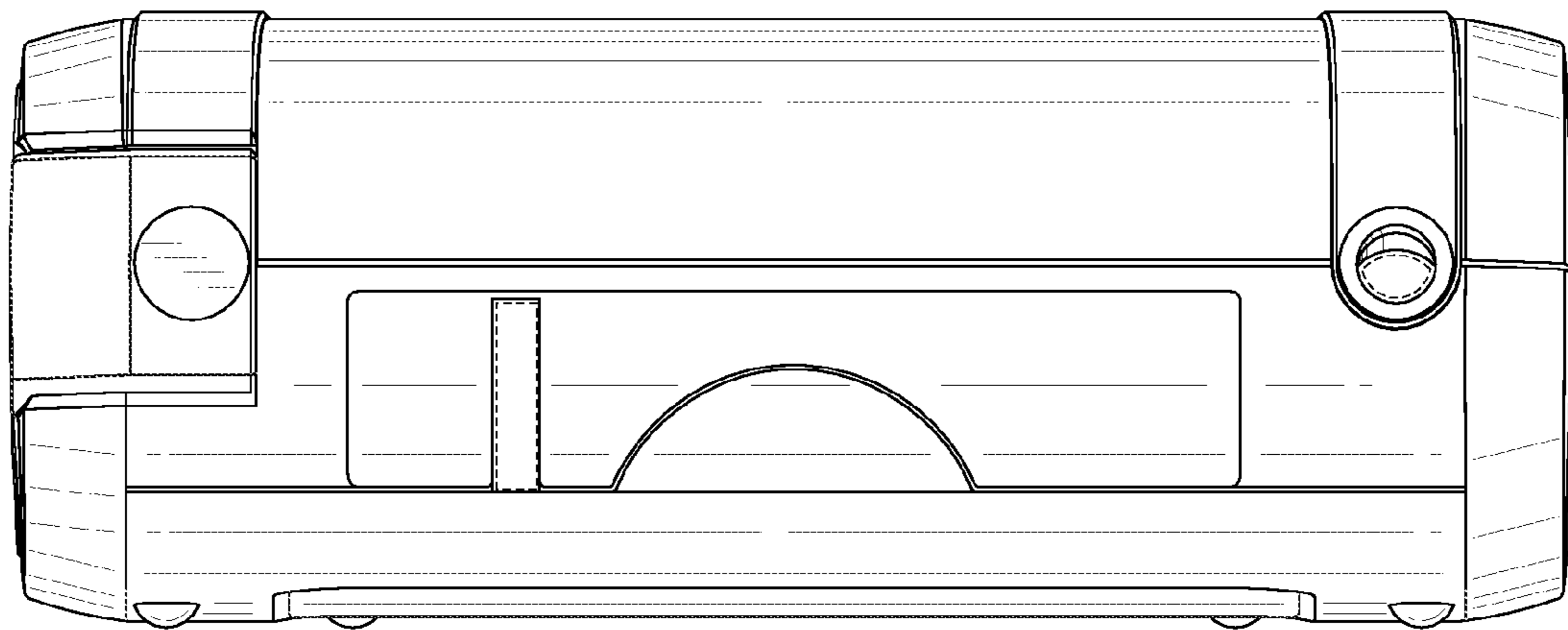


FIG. 6

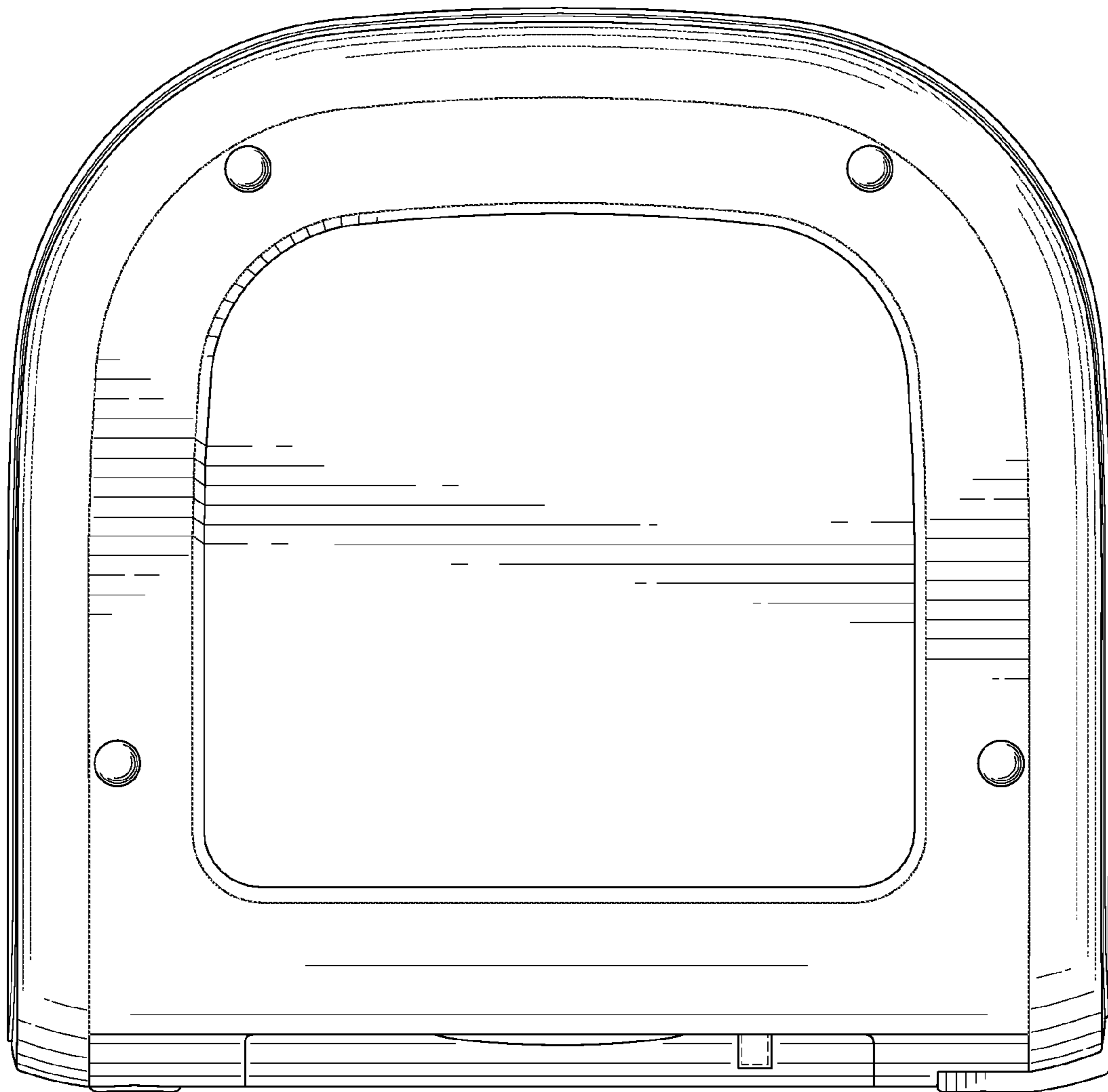


FIG. 7

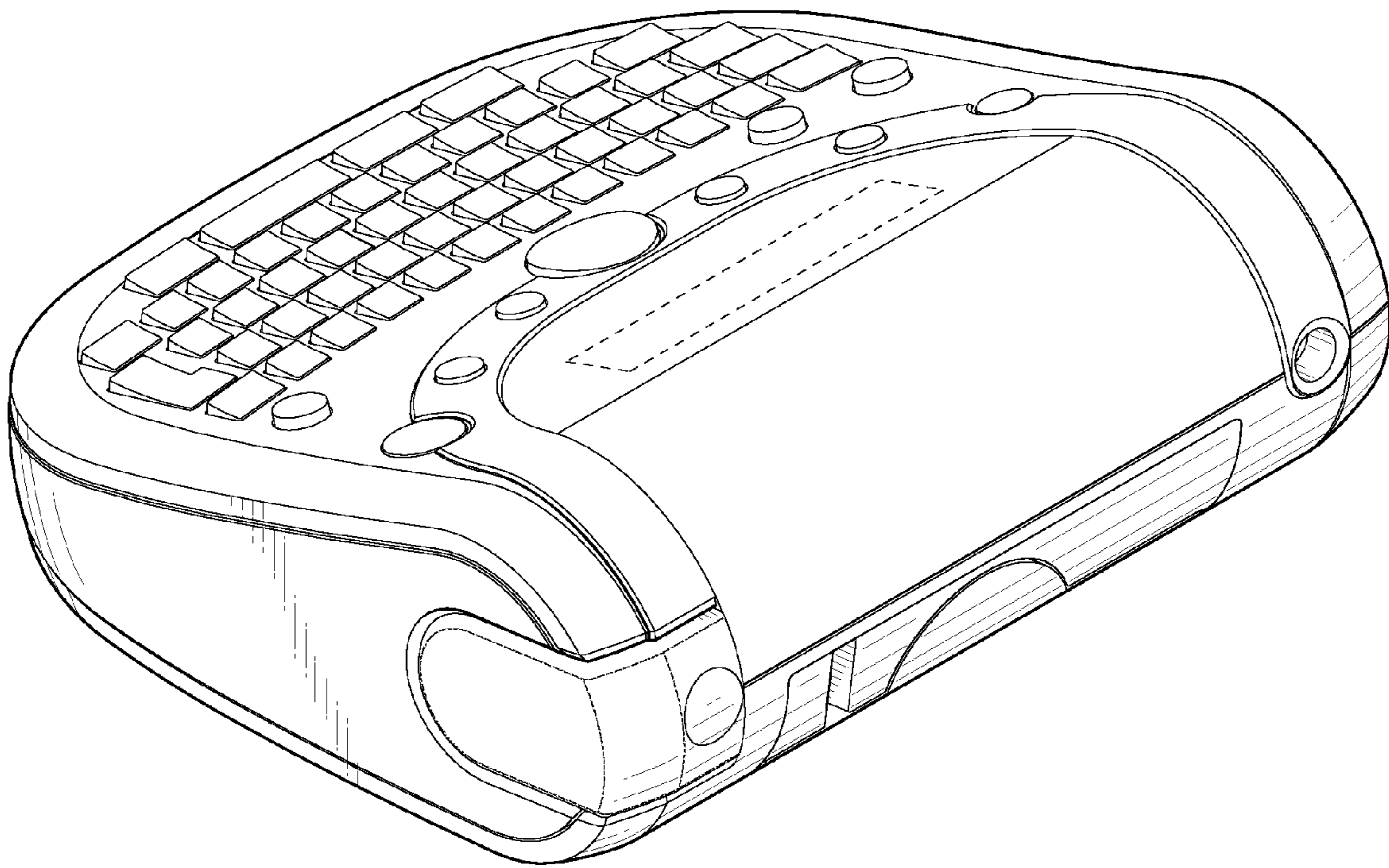


FIG. 8