



US00D601608S

(12) **United States Design Patent**
Kim et al.

(10) **Patent No.:** **US D601,608 S**
(45) **Date of Patent:** **** Oct. 6, 2009**

(54) **PROJECTOR**

(75) Inventors: **Ja Young Kim**, Seoul (KR); **Jeong Rok Lee**, Seoul (KR); **Jun Ki Kim**, Seoul (KR)

(73) Assignee: **LG Electronics Inc.**, Seoul (KR)

(**) Term: **14 Years**

(21) Appl. No.: **29/318,135**

(22) Filed: **May 14, 2008**

(30) **Foreign Application Priority Data**

Nov. 15, 2007 (KR) 30-2007-0047542

(51) **LOC (9) Cl.** **16-02**

(52) **U.S. Cl.** **D16/230; D16/225**

(58) **Field of Classification Search** D16/20-231, D16/234; D21/514; 353/115, 119, 122
See application file for complete search history.

(56) **References Cited**

U.S. PATENT DOCUMENTS

D398,321 S *	9/1998	Iida	D16/230
D449,061 S *	10/2001	Lim	D16/231
D470,163 S *	2/2003	Kim	D16/230
D479,551 S *	9/2003	Min et al.	D16/230
D480,410 S *	10/2003	Morishita et al.	D16/230

D489,391 S *	5/2004	Morishita et al.	D16/230
D548,263 S *	8/2007	Nakanishi	D16/230
D552,657 S *	10/2007	Oota	D16/230
D565,629 S *	4/2008	Morishita	D16/230

* cited by examiner

Primary Examiner—Ian Simmons

Assistant Examiner—Wan Laymon

(74) *Attorney, Agent, or Firm*—Birch, Stewart, Kolasch & Birch, LLP

(57) **CLAIM**

The ornamental design for a projector, as shown and described.

DESCRIPTION

FIG. 1 is a perspective view of a projector showing the new design:

FIG. 2 is a front elevation view thereof;

FIG. 3 is a rear elevation view thereof;

FIG. 4 is a left-side elevation view thereof;

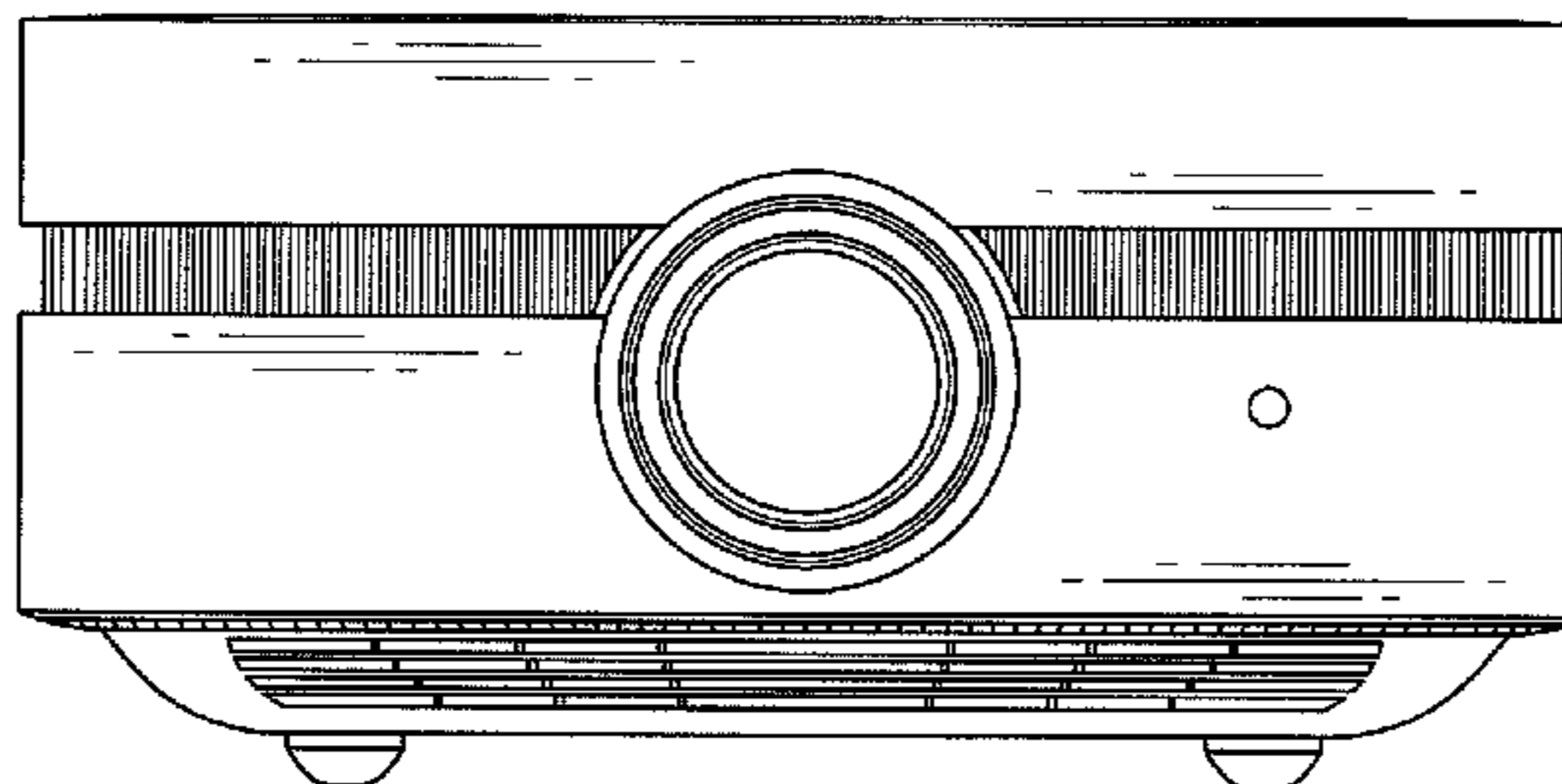
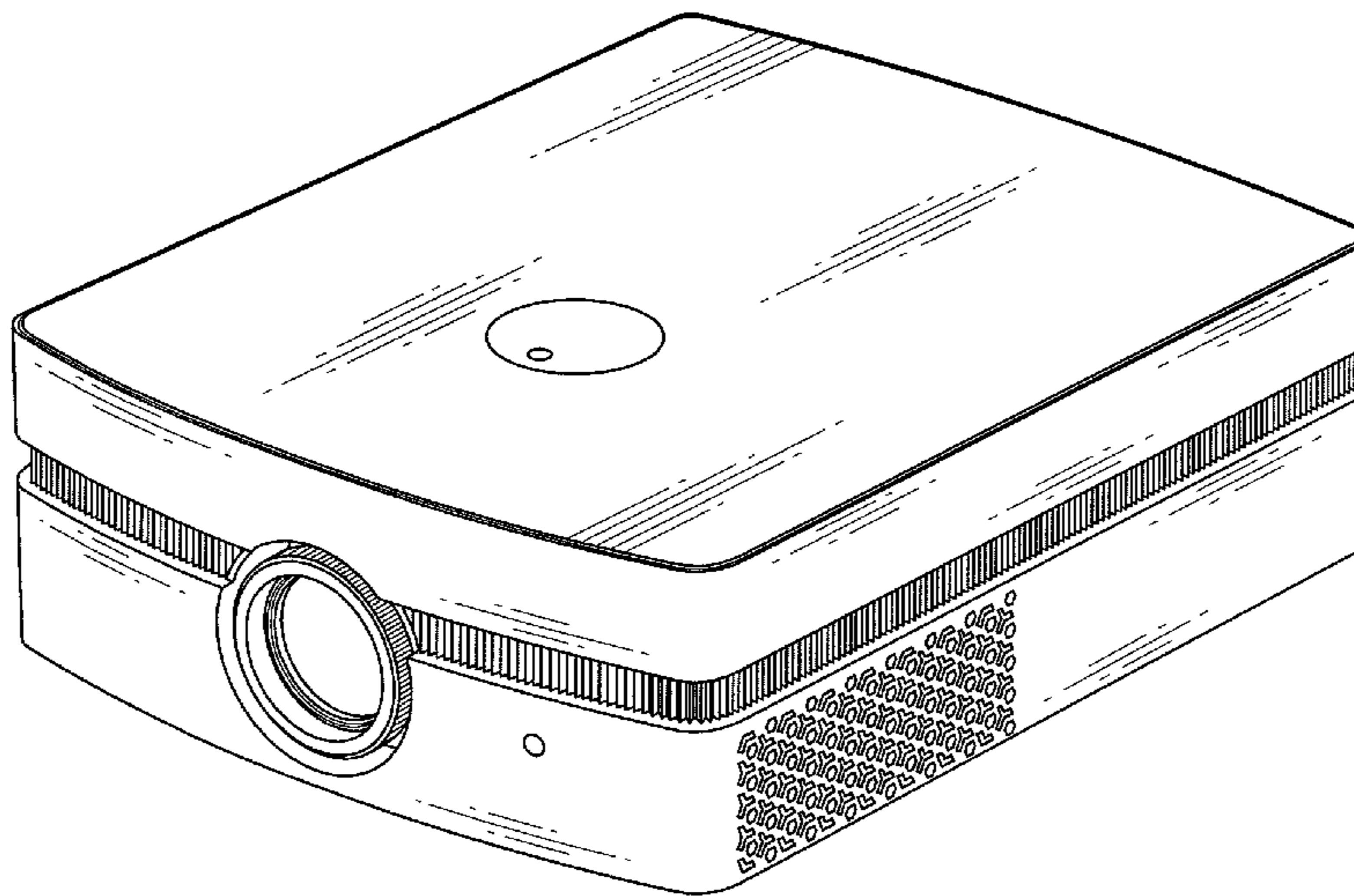
FIG. 5 is a right-side elevation view thereof;

FIG. 6 is a top plan view thereof; and,

FIG. 7 is a bottom plan view thereof.

The broken line showing is for illustrative purposes only and forms no part of the claimed design.

1 Claim, 5 Drawing Sheets



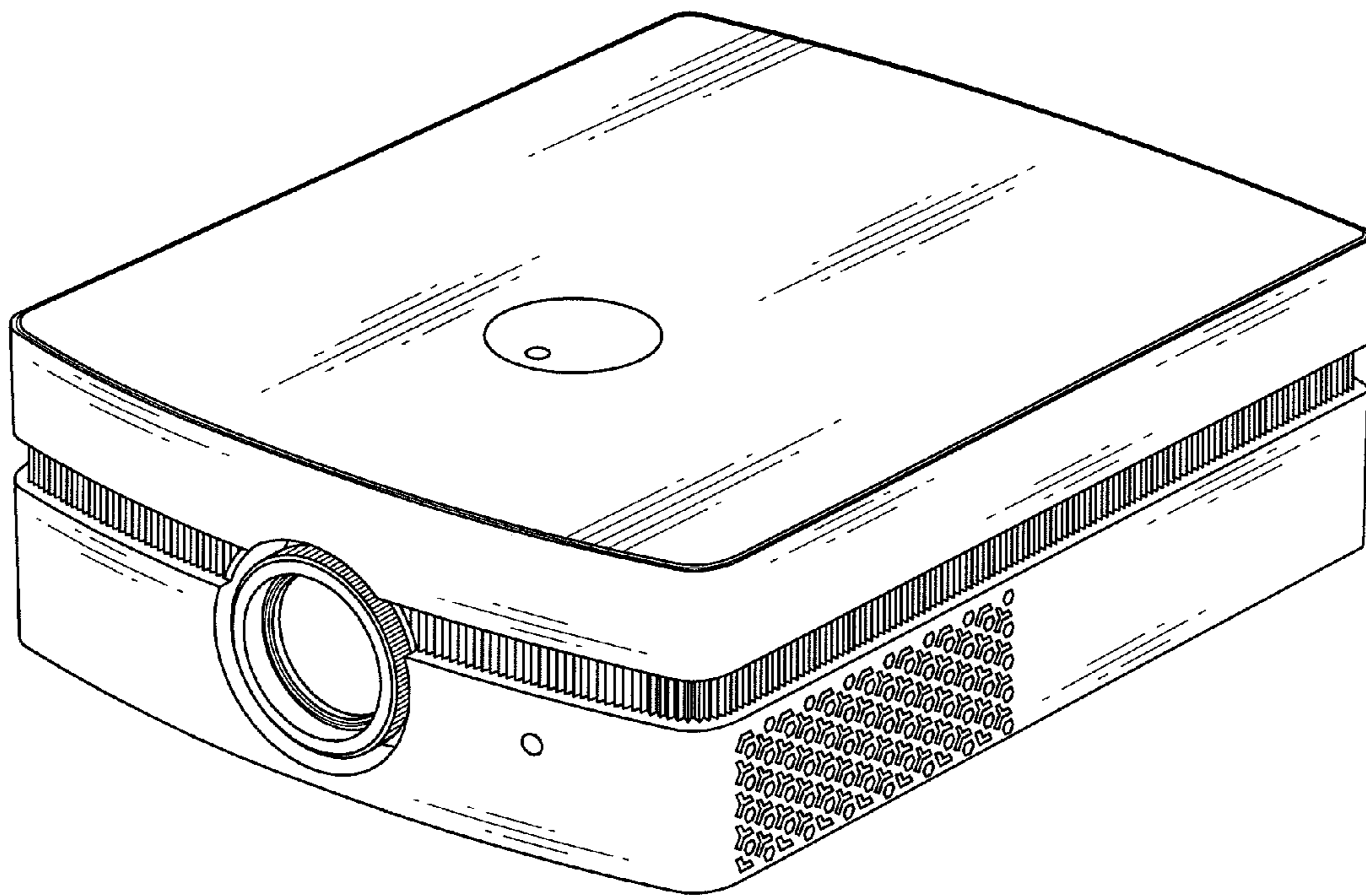


FIG.1

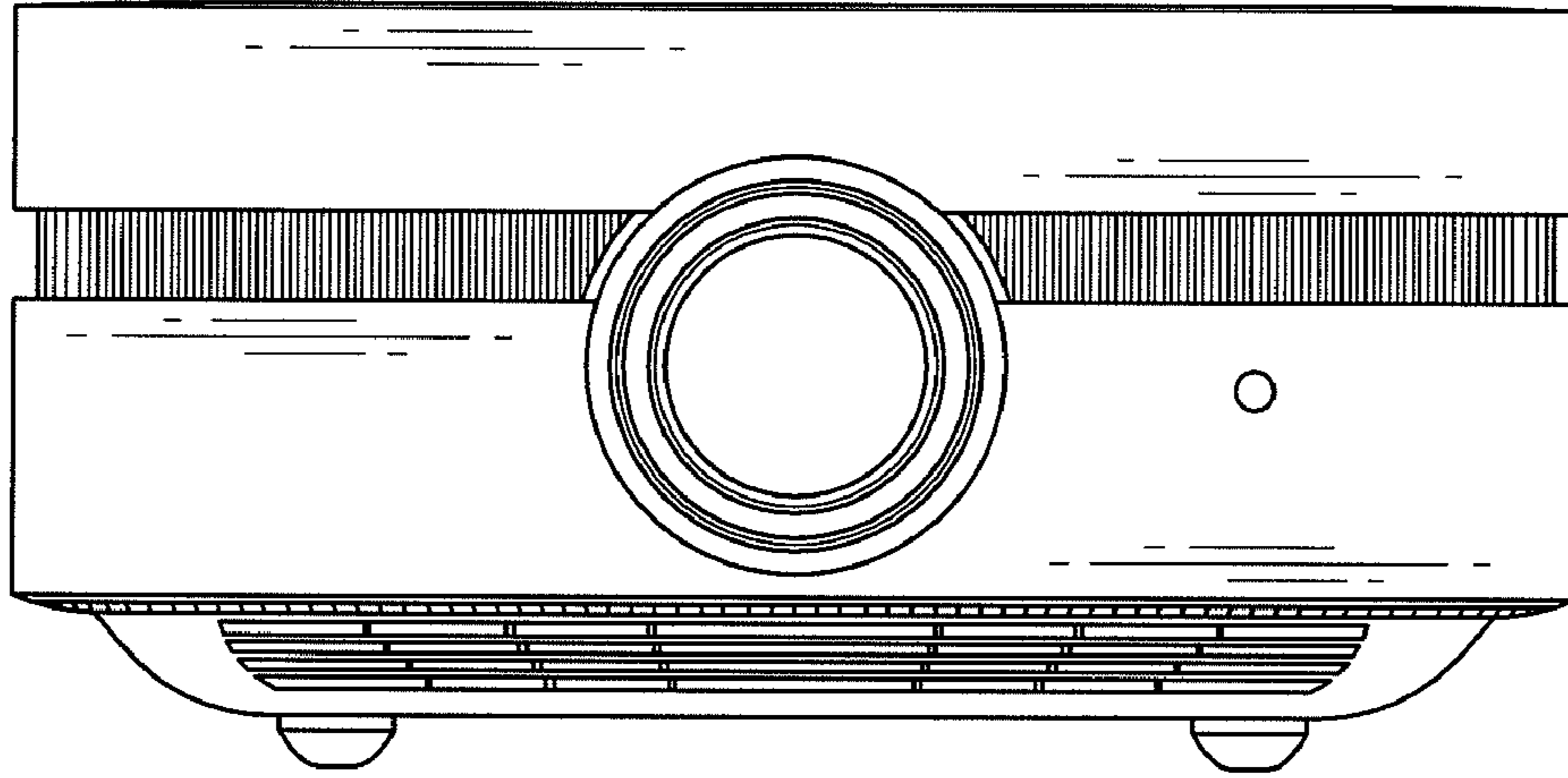


FIG. 2

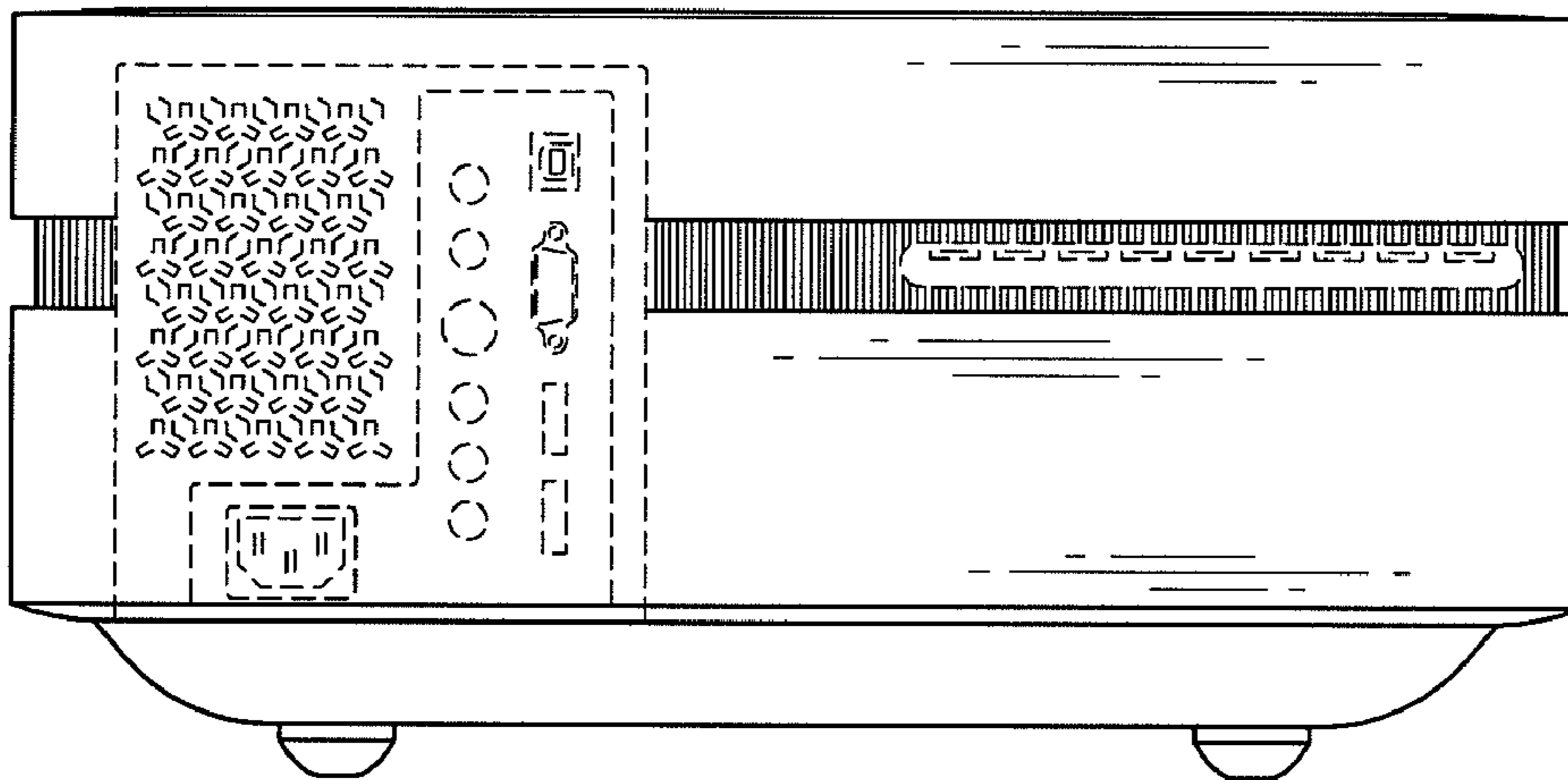


FIG. 3

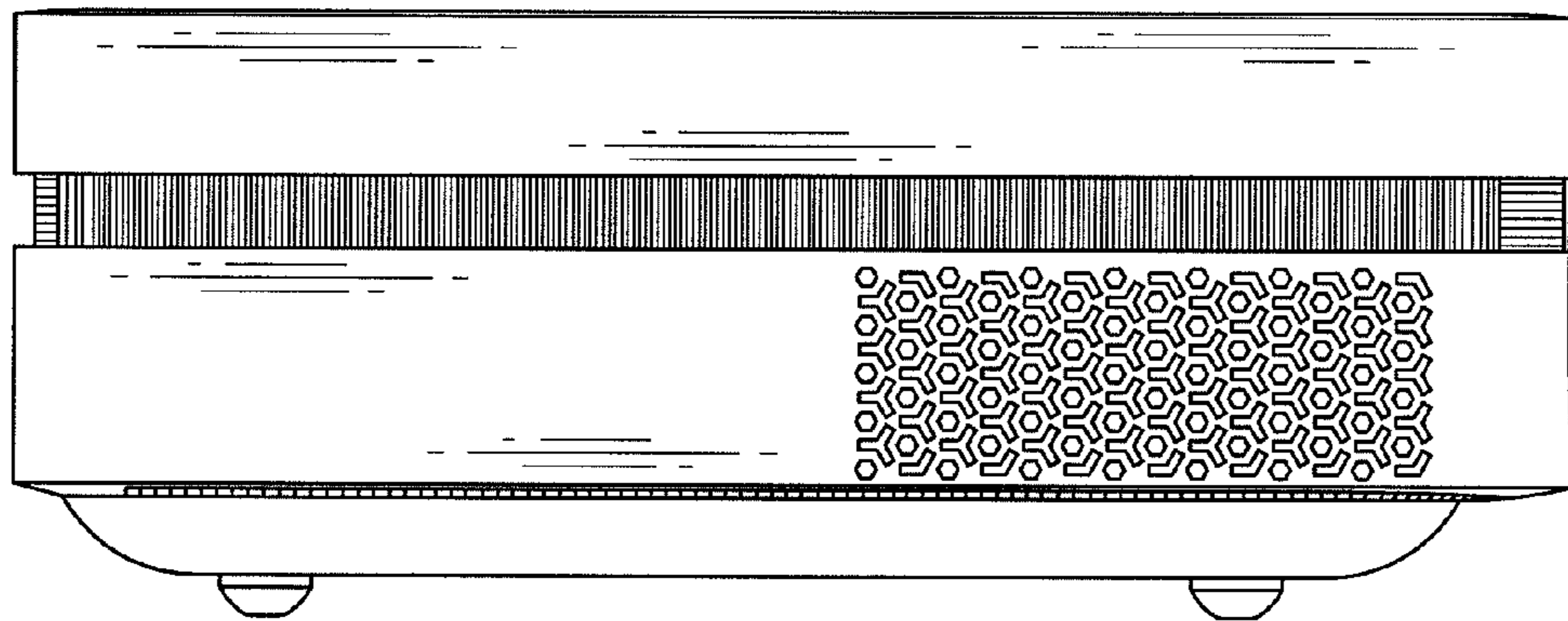


FIG. 4

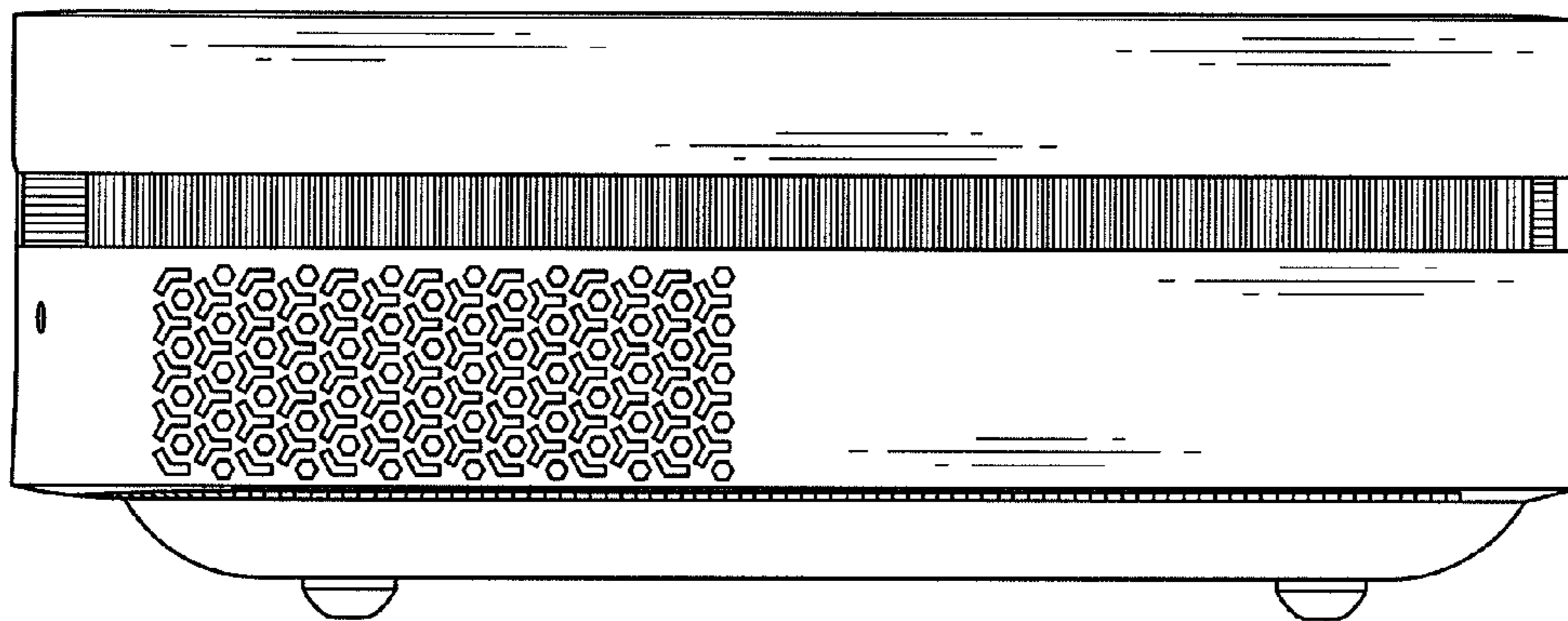


FIG. 5

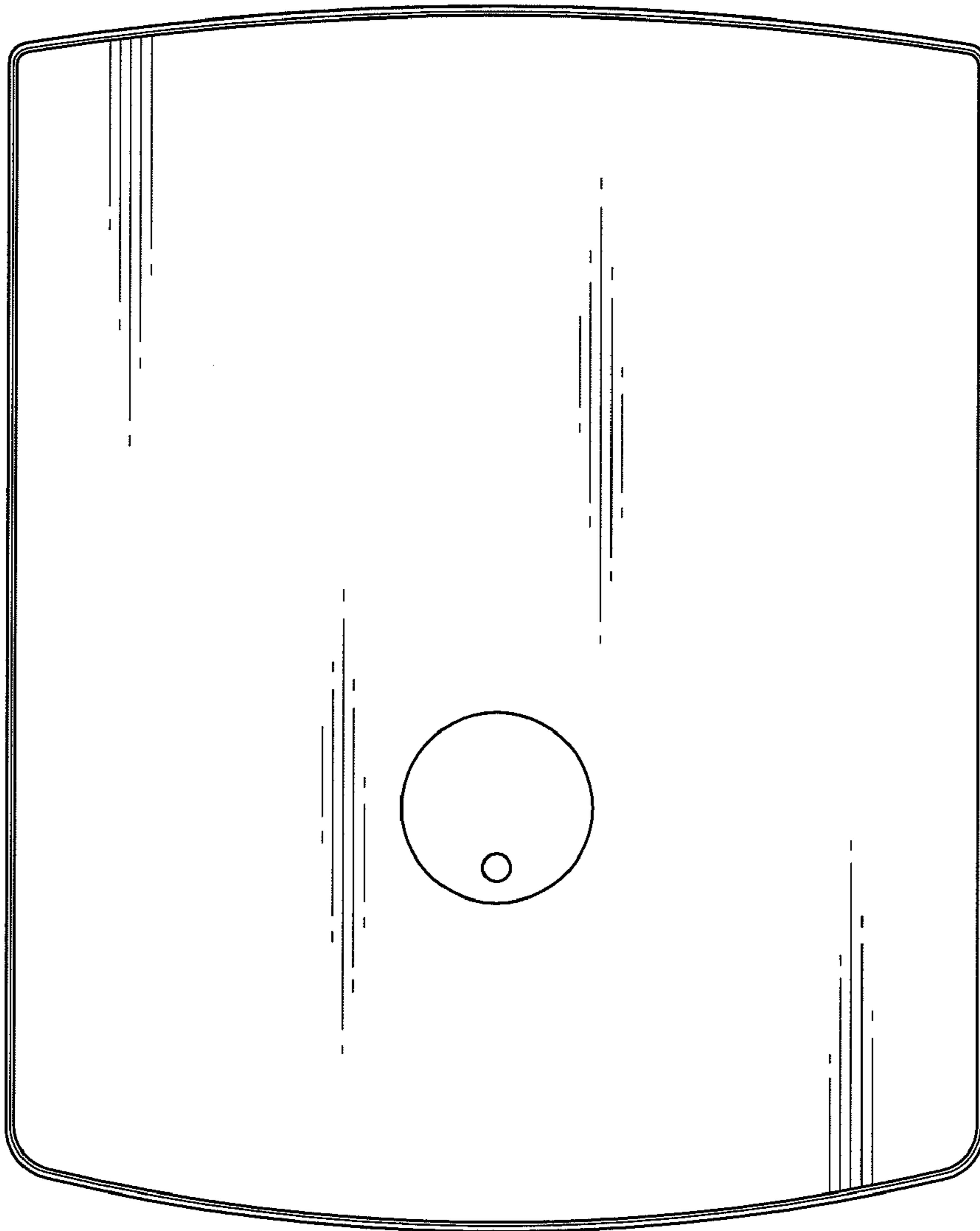


FIG. 6

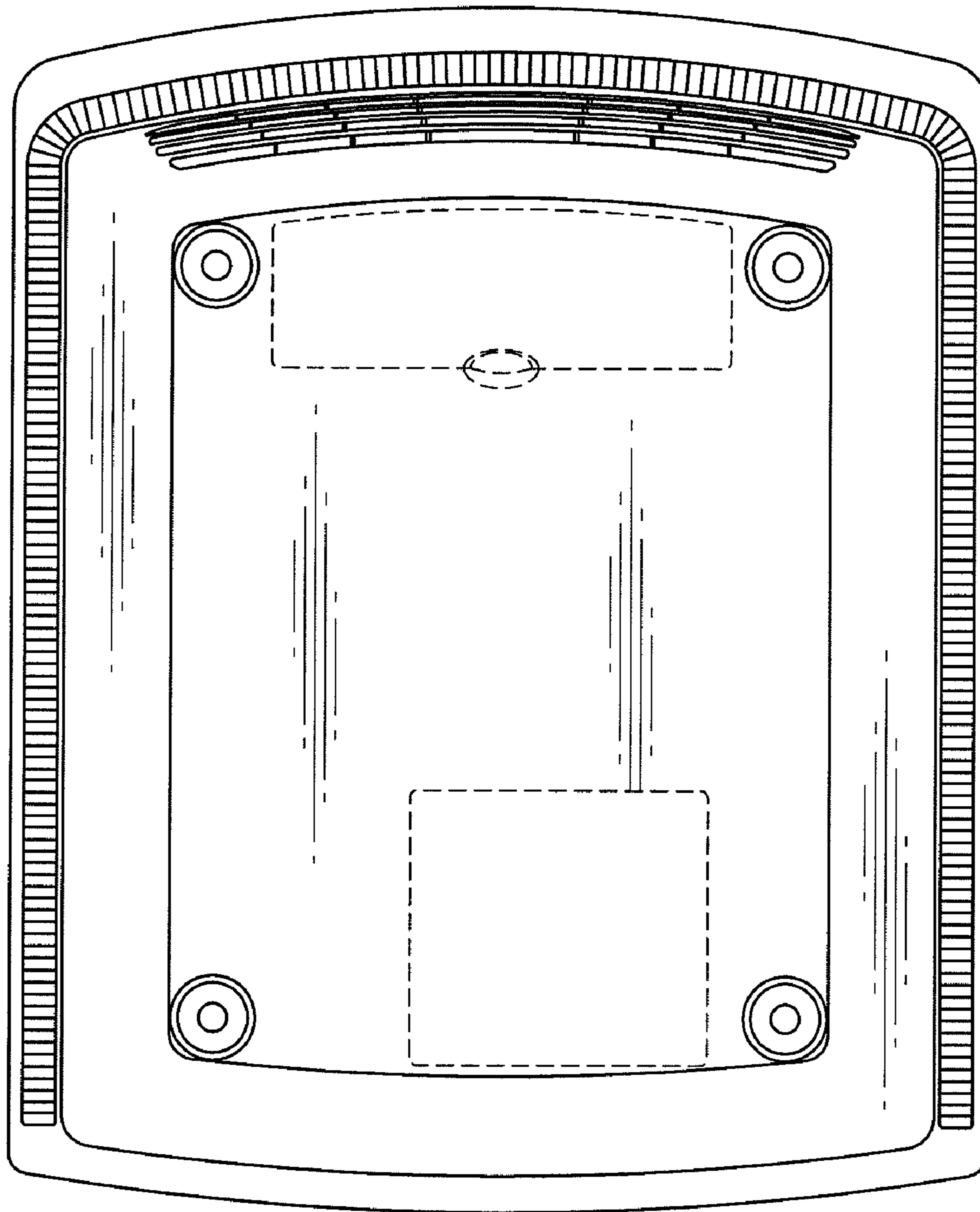


FIG. 7