

US00D601602S

(12) **United States Design Patent**
Jang

(10) **Patent No.:** **US D601,602 S**
(45) **Date of Patent:** **** Oct. 6, 2009**

(54) **DIGITAL CAMERA**

(75) Inventor: **Seung-Ho Jang**, Suwon-si (KR)

(73) Assignee: **Samsung Digital Imaging Co., Ltd.**,
Suwon-si (KR)

(**) Term: **14 Years**

(21) Appl. No.: **29/314,365**

(22) Filed: **Mar. 24, 2009**

(30) **Foreign Application Priority Data**

Dec. 15, 2008 (KR) 30-2008-0053967

(51) **LOC (9) Cl.** **16-01**

(52) **U.S. Cl.** **D16/202**

(58) **Field of Classification Search** D16/200-204,
D16/208, 218; 348/373-376; 358/909.1;
396/535-541

See application file for complete search history.

(56) **References Cited**

U.S. PATENT DOCUMENTS

D548,252 S * 8/2007 Tajima D16/202

D566,149 S * 4/2008 Sumita D16/202
D571,845 S * 6/2008 Shimobayashi D16/202
D577,757 S * 9/2008 Sumita D16/202
2007/0212062 A1 * 9/2007 Saiki et al. 396/535

* cited by examiner

Primary Examiner—Adir Aronovich

(74) *Attorney, Agent, or Firm*—Drinker Biddle & Reath LLP

(57) **CLAIM**

The ornamental design for a digital camera, as shown and described.

DESCRIPTION

FIG. 1 is a top, front and right side perspective view of a digital camera showing my new design;

FIG. 2 is a front elevational view of the digital camera;

FIG. 3 is a rear elevational view of the digital camera;

FIG. 4 is left side elevational view thereof;

FIG. 5 is right side elevational view thereof;

FIG. 6 is a top plan view of the digital camera; and,

FIG. 7 is a bottom plan view of the digital camera.

1 Claim, 4 Drawing Sheets

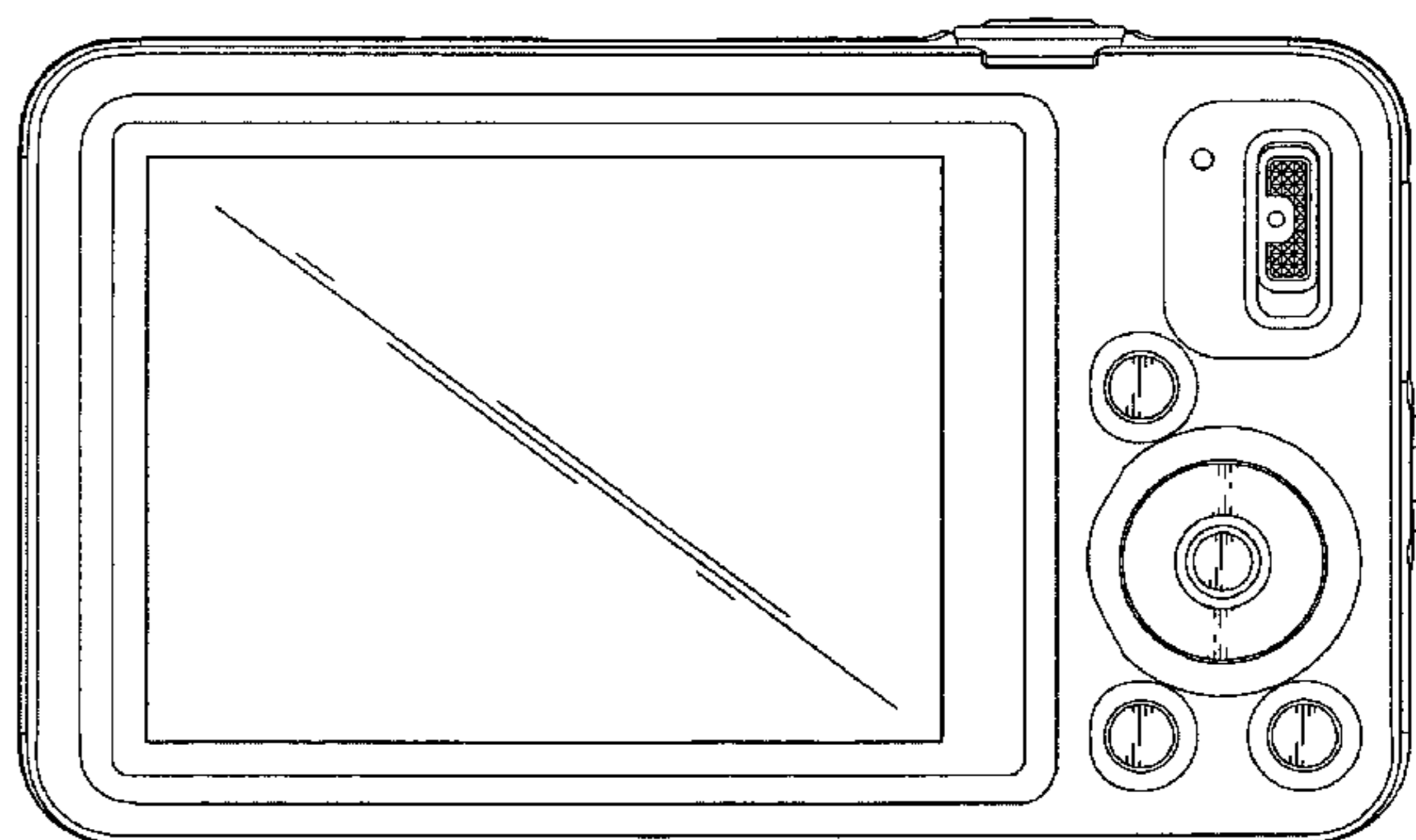
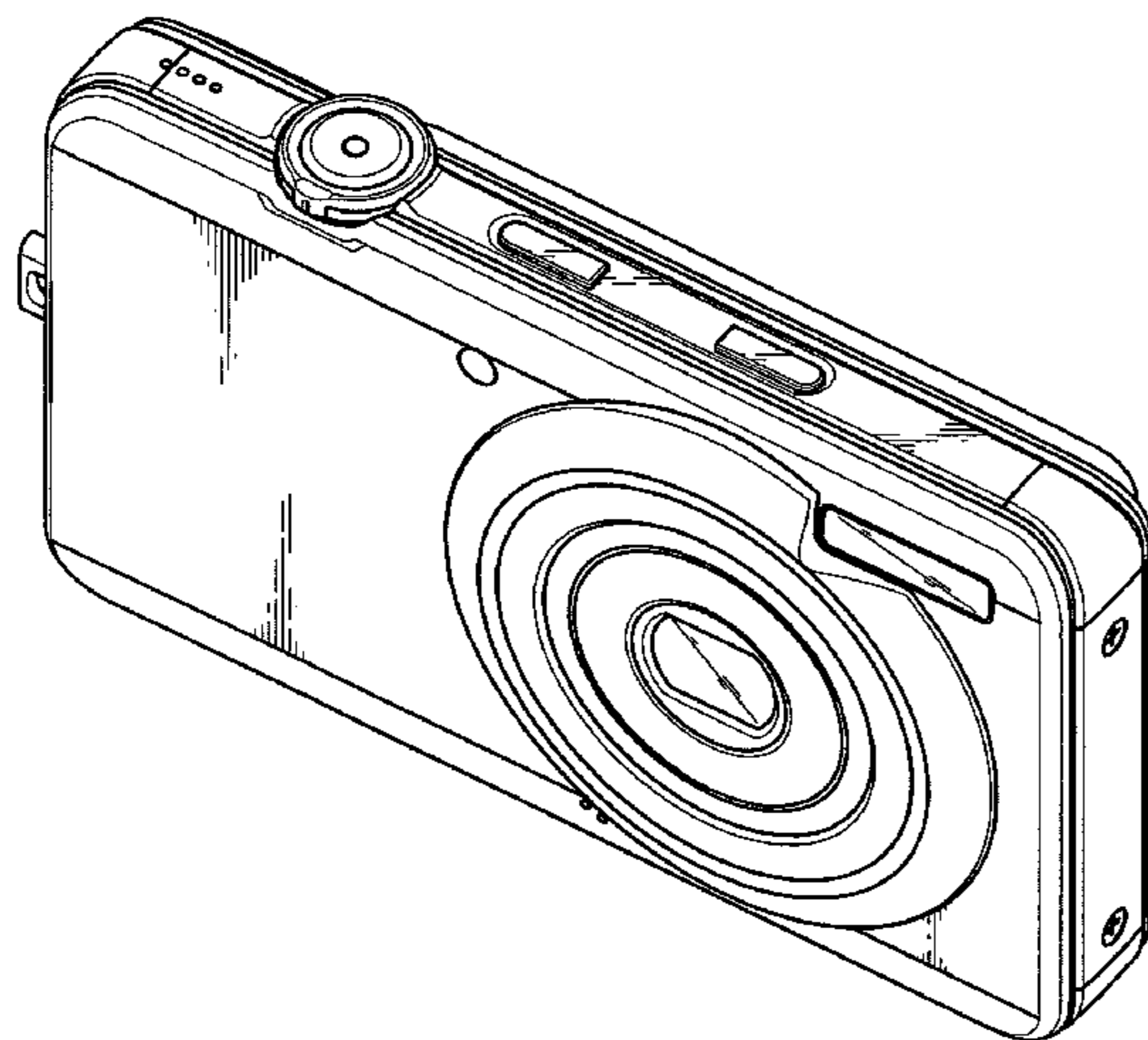


FIG. 1

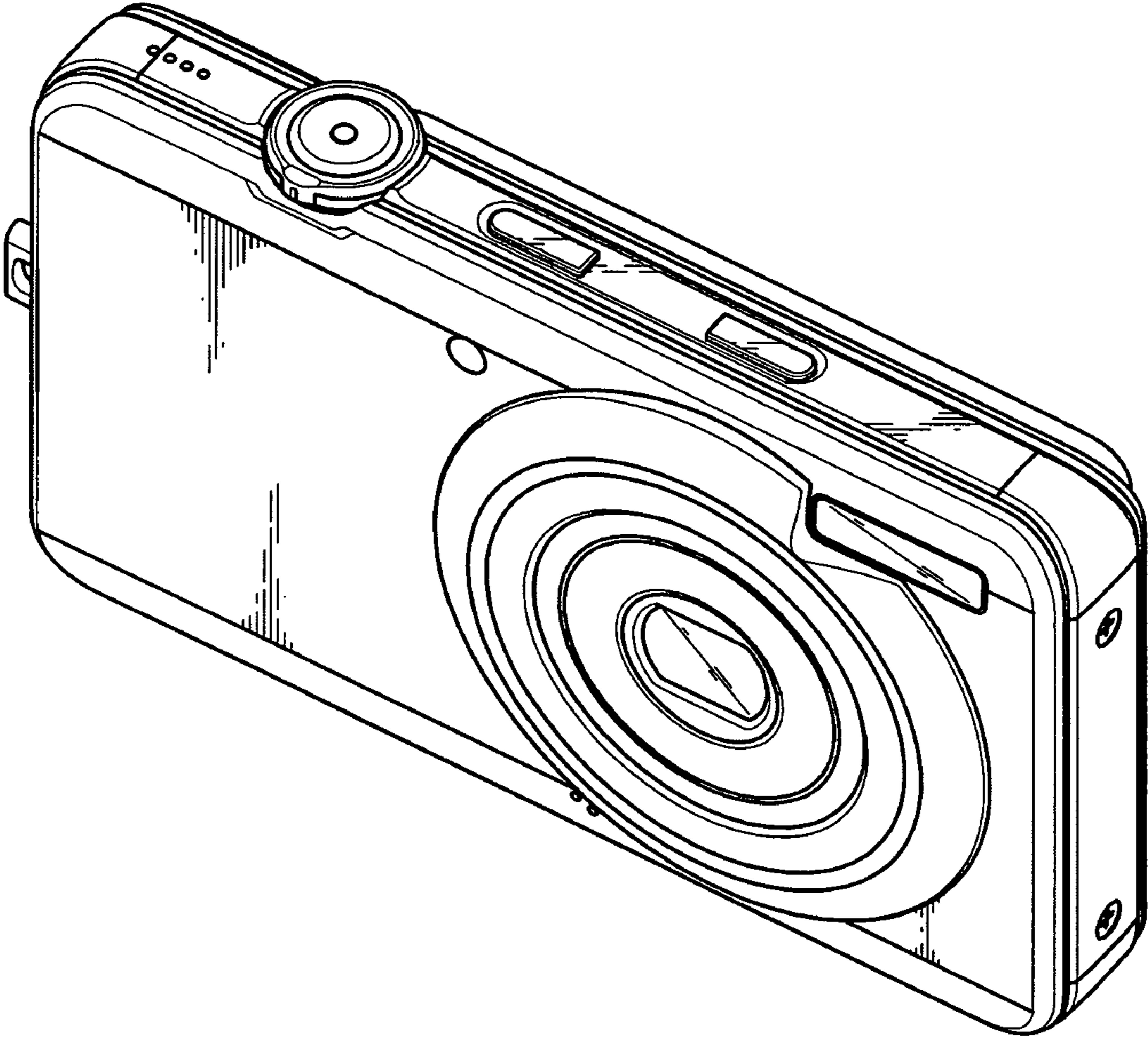


FIG. 2

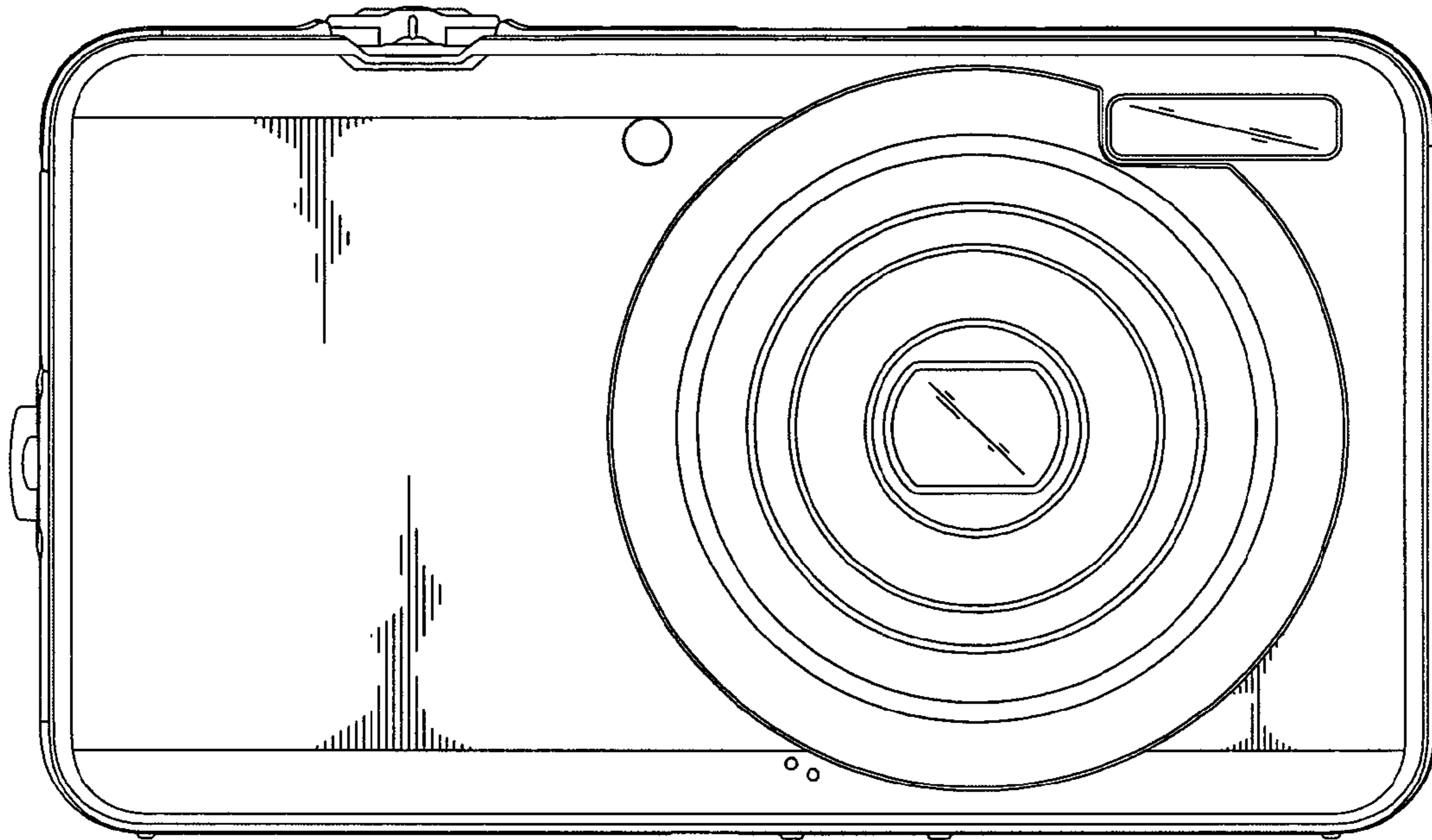


FIG. 3

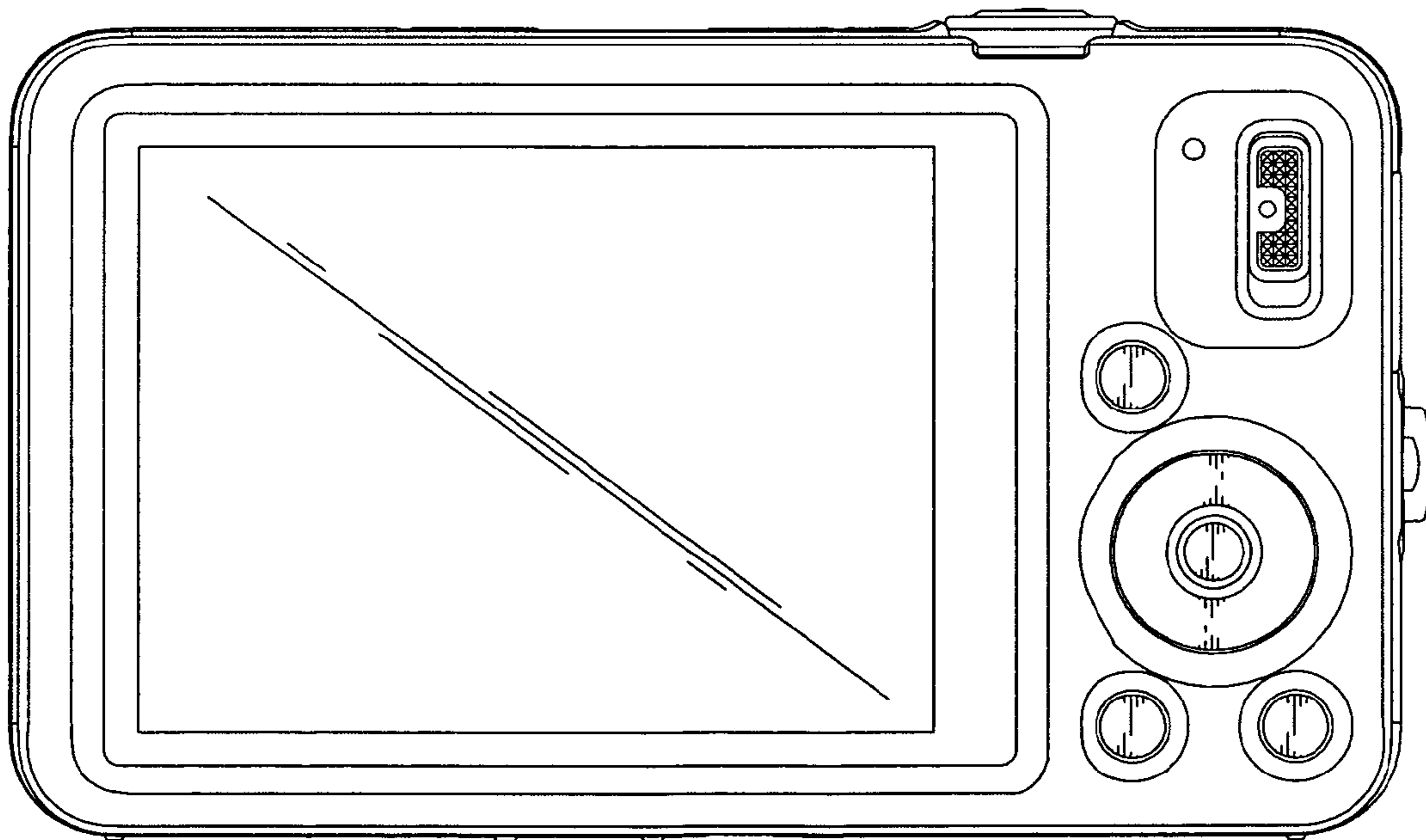


FIG. 4

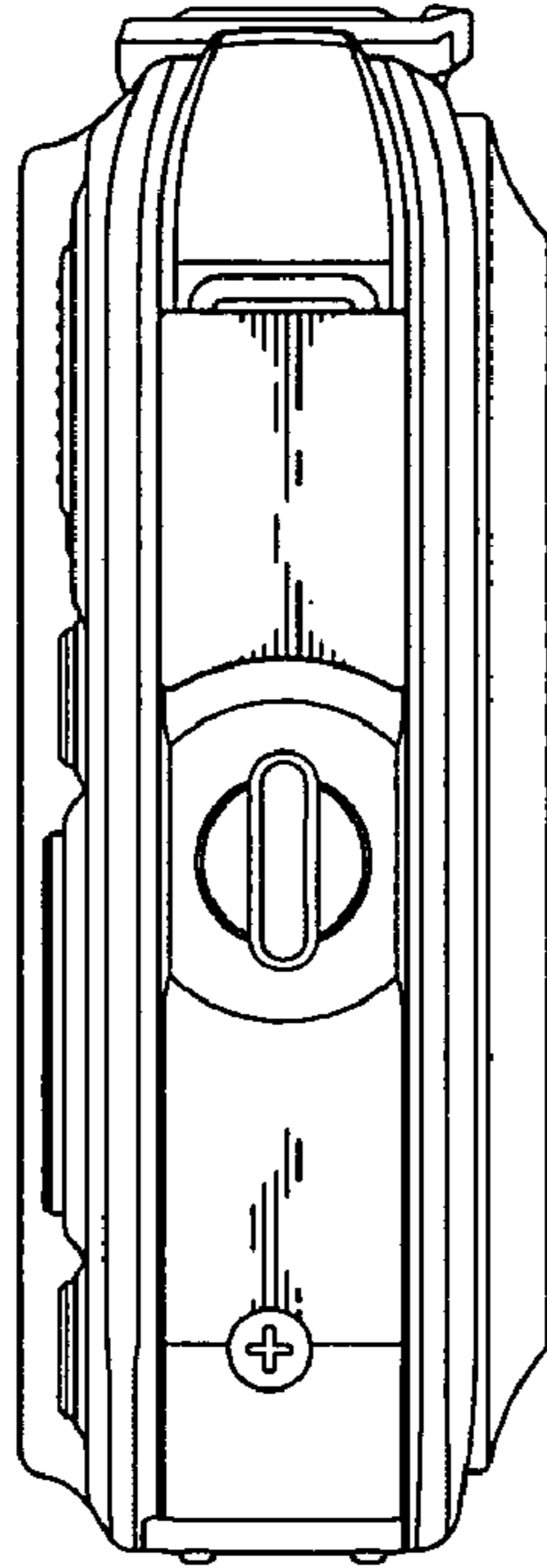


FIG. 5

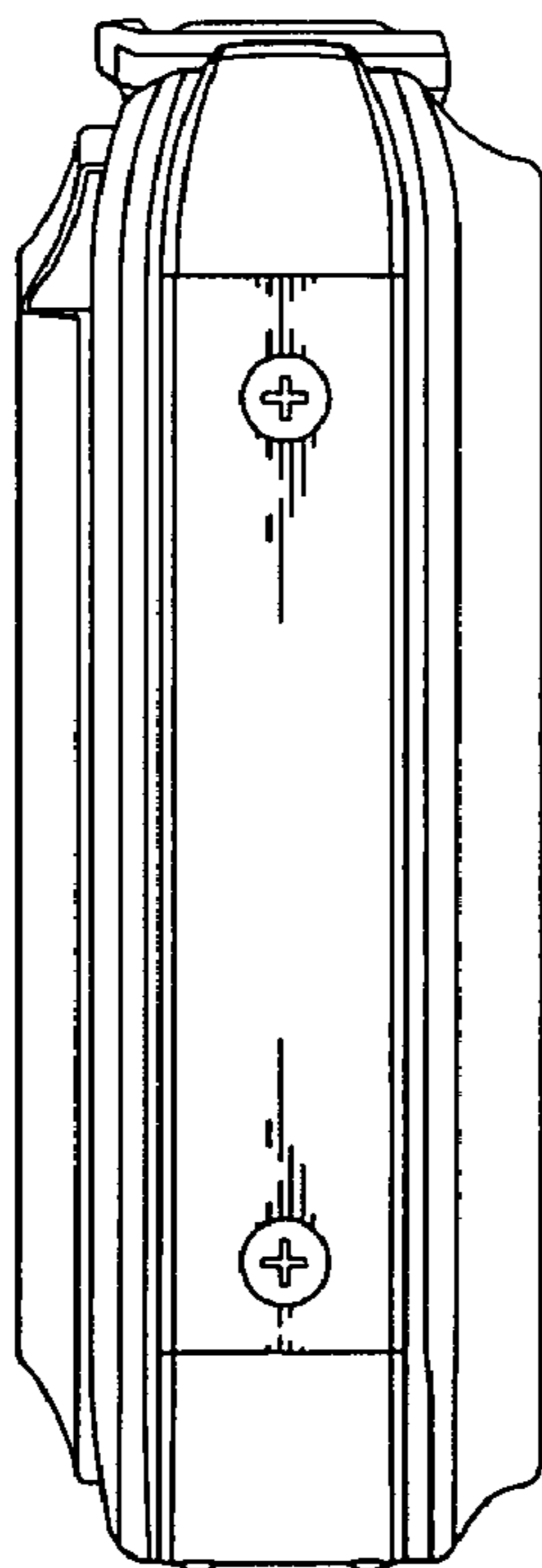


FIG. 6

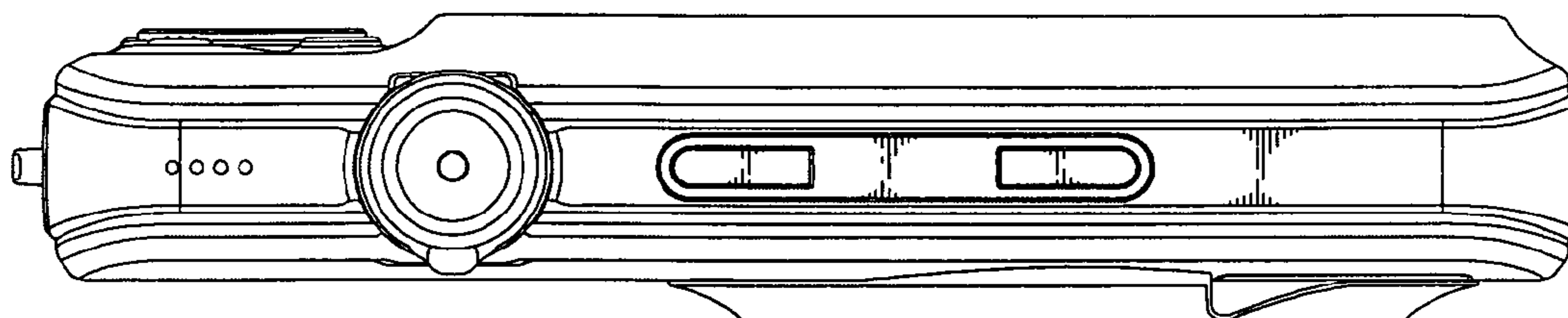


FIG. 7

