



US00D601600S

(12) **United States Design Patent**  
**Stevens**

(10) **Patent No.:** **US D601,600 S**

(45) **Date of Patent:** **\*\* Oct. 6, 2009**

(54) **HYDRAULIC TENSIONER**

(75) Inventor: **Jason P. Stevens**, Lichfield (GB)

(73) Assignee: **Actuant Corporation**, Butler, WI (US)

(\*\*) Term: **14 Years**

(21) Appl. No.: **29/318,222**

(22) Filed: **May 15, 2008**

(51) **LOC (9) Cl.** ..... **15-99**

(52) **U.S. Cl.** ..... **D15/199**

(58) **Field of Classification Search** ..... D8/14,  
D8/105, 106, 382, 397; D15/199; 81/57.11,  
81/57.38, 57.39, 57.44, 479; 411/432, 433,  
411/434; 474/109, 110

See application file for complete search history.

(56) **References Cited**

**U.S. PATENT DOCUMENTS**

4,998,453	A *	3/1991	Walton et al.	.....	81/57.38
5,628,701	A *	5/1997	Dembosky et al.	.....	474/103
5,690,458	A *	11/1997	Junkers	.....	411/432
D389,350	S *	1/1998	Davis et al.	.....	D6/520
D574,260	S *	8/2008	Grotell et al.	.....	D10/30
D588,160	S *	3/2009	Beale et al.	.....	D15/7
2005/0049094	A1 *	3/2005	Seungpyo	.....	474/110
2005/0130777	A1 *	6/2005	Grunau, et al.	.....	474/110
2005/0215370	A1 *	9/2005	Seungpyo	.....	474/110
2005/0239589	A1 *	10/2005	Seungpyo et al.	.....	474/110
2005/0255952	A1 *	11/2005	Yoshida	.....	474/110
2006/0094549	A1 *	5/2006	Yoshida et al.	.....	474/110

2007/0099736	A1 *	5/2007	Hallen	.....	474/101
2007/0249444	A1 *	10/2007	Yoshida et al.	.....	474/110
2008/0015069	A1 *	1/2008	Kroon et al.	.....	474/110
2008/0119309	A1 *	5/2008	Kern et al.	.....	474/109
2008/0207365	A1 *	8/2008	Namie et al.	.....	474/110
2009/0075768	A1 *	3/2009	D'Silva et al.	.....	474/135

\* cited by examiner

*Primary Examiner*—Sandra Snapp

*Assistant Examiner*—Patricia Palasik

(74) *Attorney, Agent, or Firm*—Quarles & Brady LLP

(57) **CLAIM**

The ornamental design for a hydraulic tensioner, as shown and described.

**DESCRIPTION**

FIG. 1 is a perspective view of a hydraulic tensioner showing our new design;

FIG. 2 is a front side elevational view thereof;

FIG. 3 is a right side elevational view thereof, the left side elevational view thereof being a mirror image of the right side elevational view;

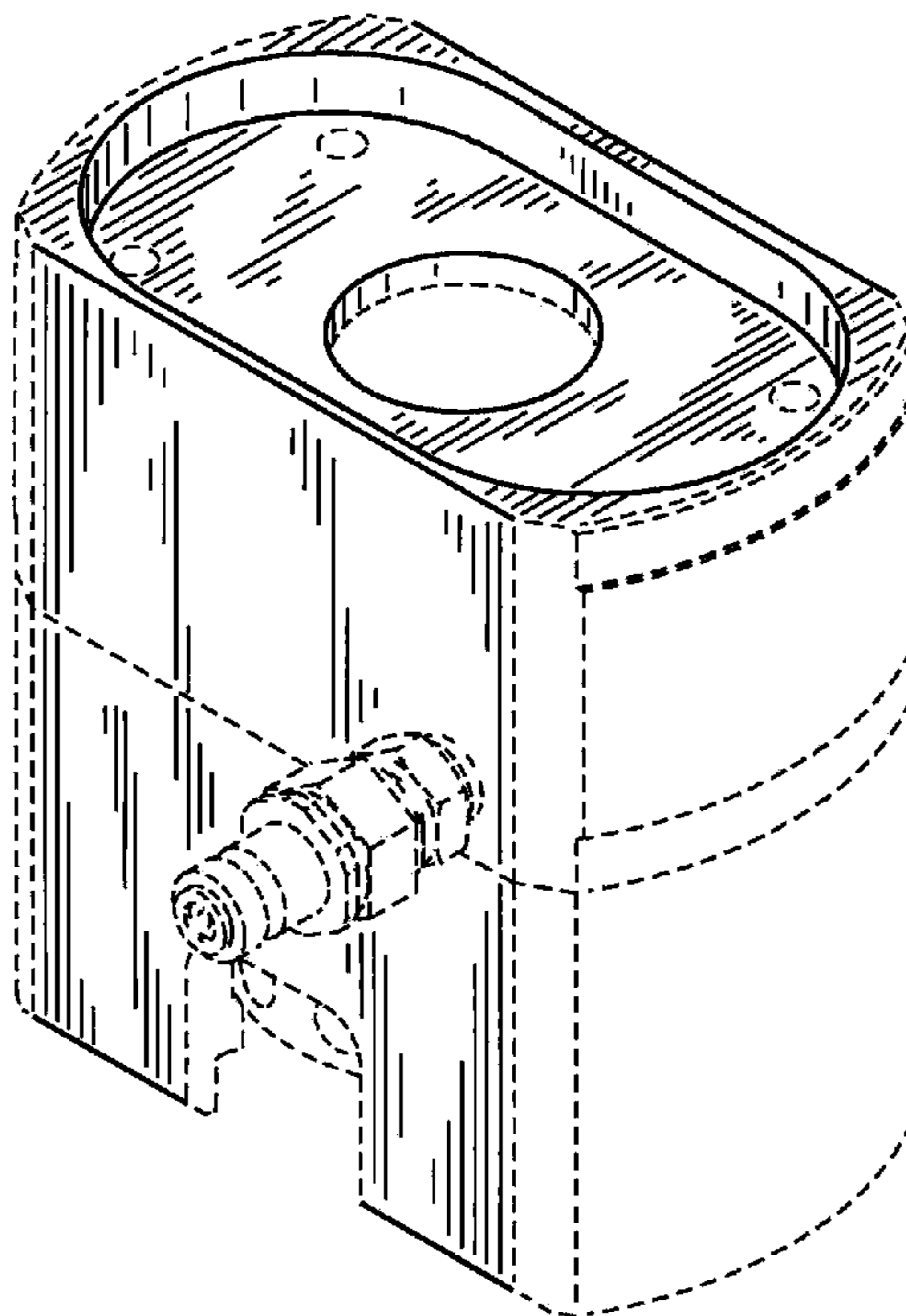
FIG. 4 is a rear side elevational view thereof;

FIG. 5 is a top side elevational view thereof; and,

FIG. 6 is a bottom side elevational view thereof.

The broken lines in the drawings depict unclaimed environmental subject matter.

**1 Claim, 4 Drawing Sheets**



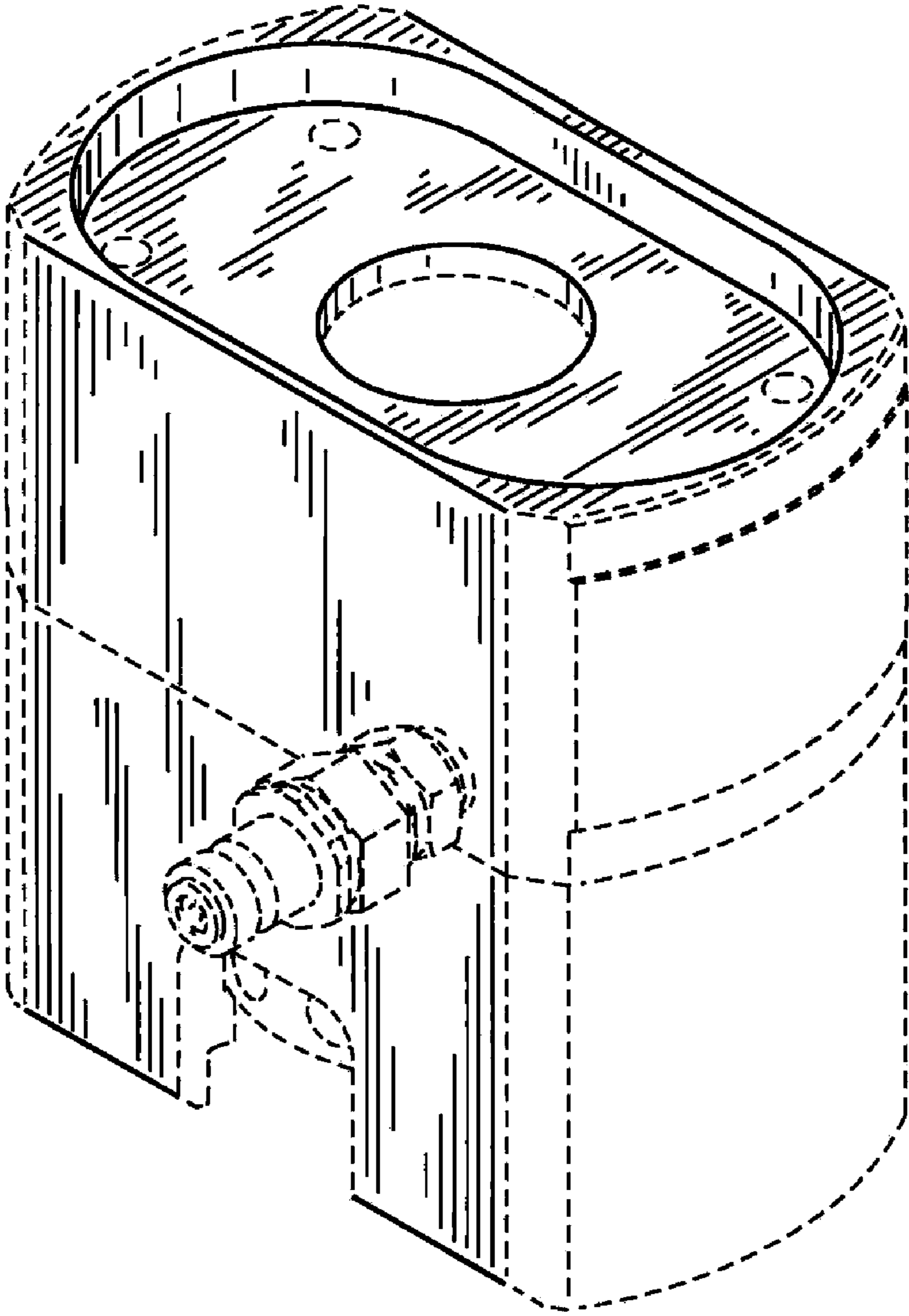


FIG. 1

FIG. 2

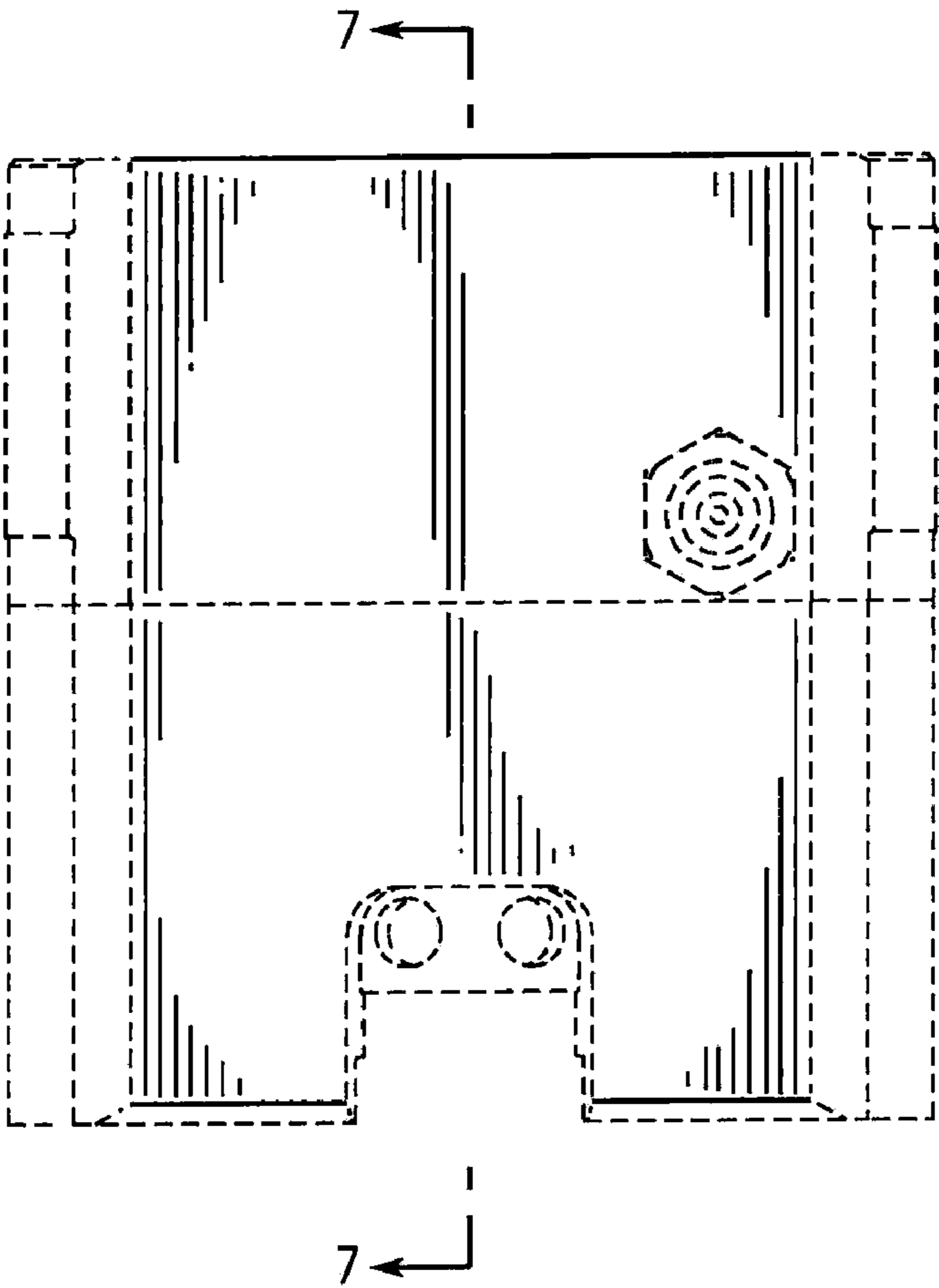


FIG. 3

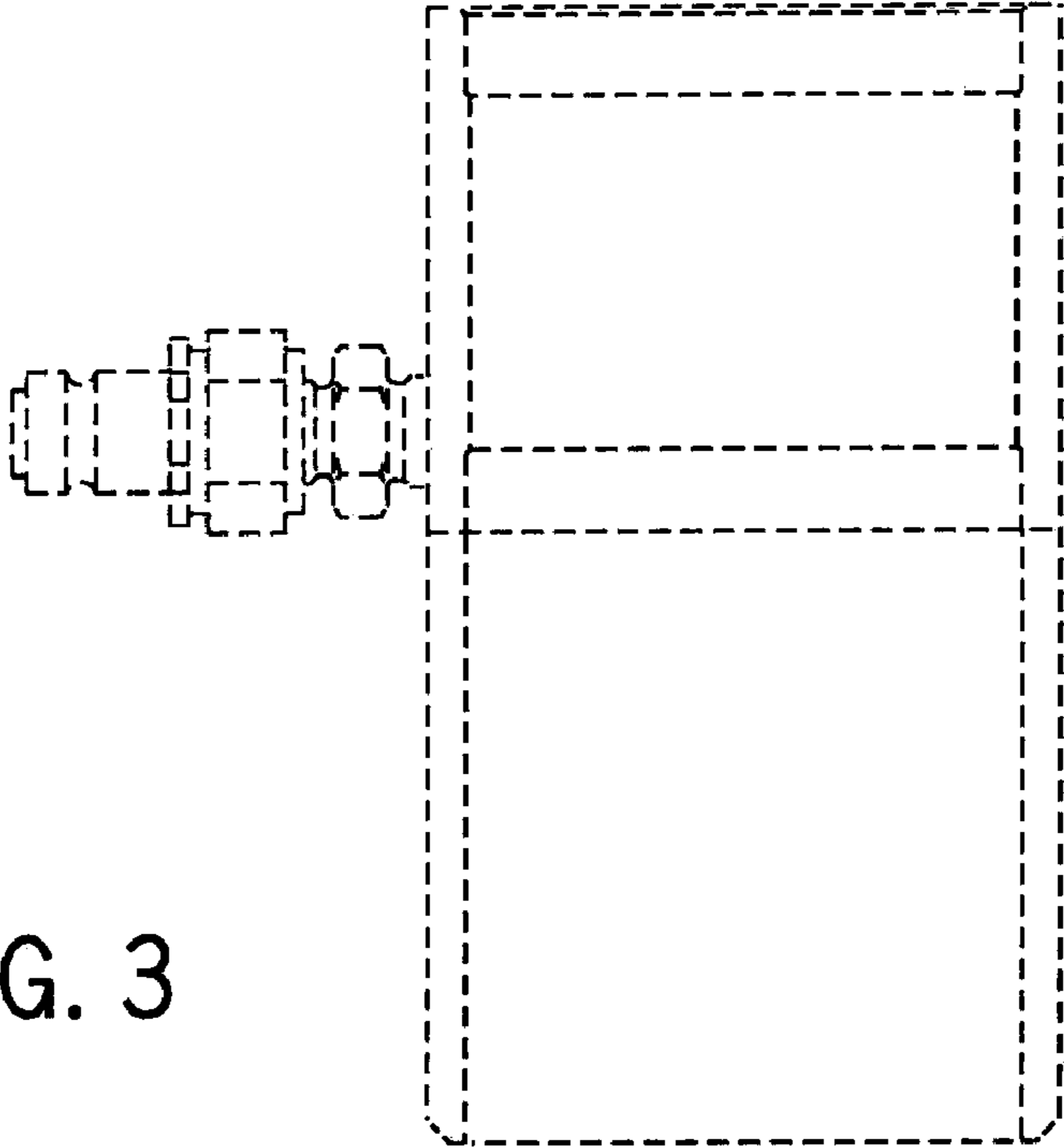


FIG. 4

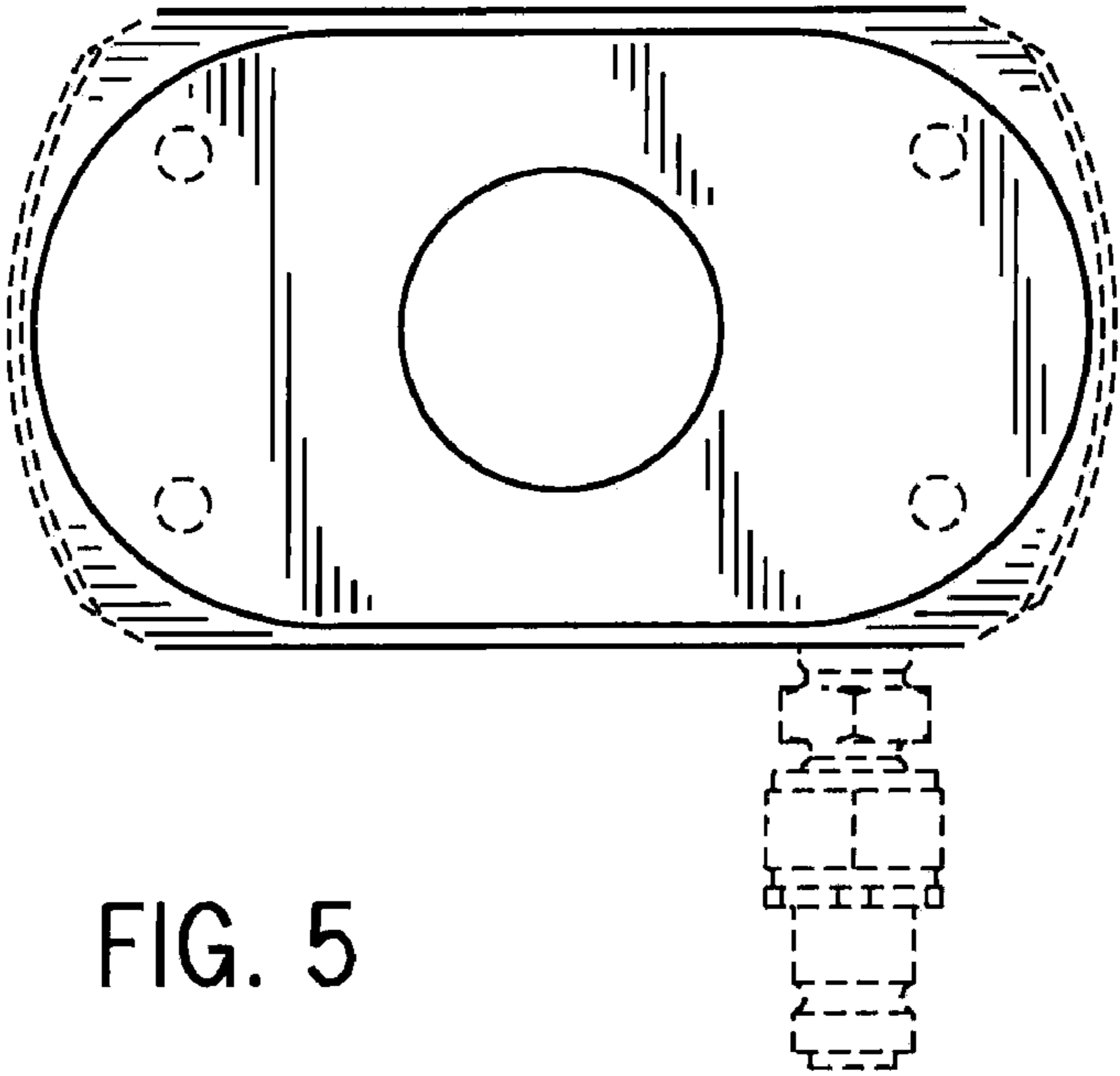
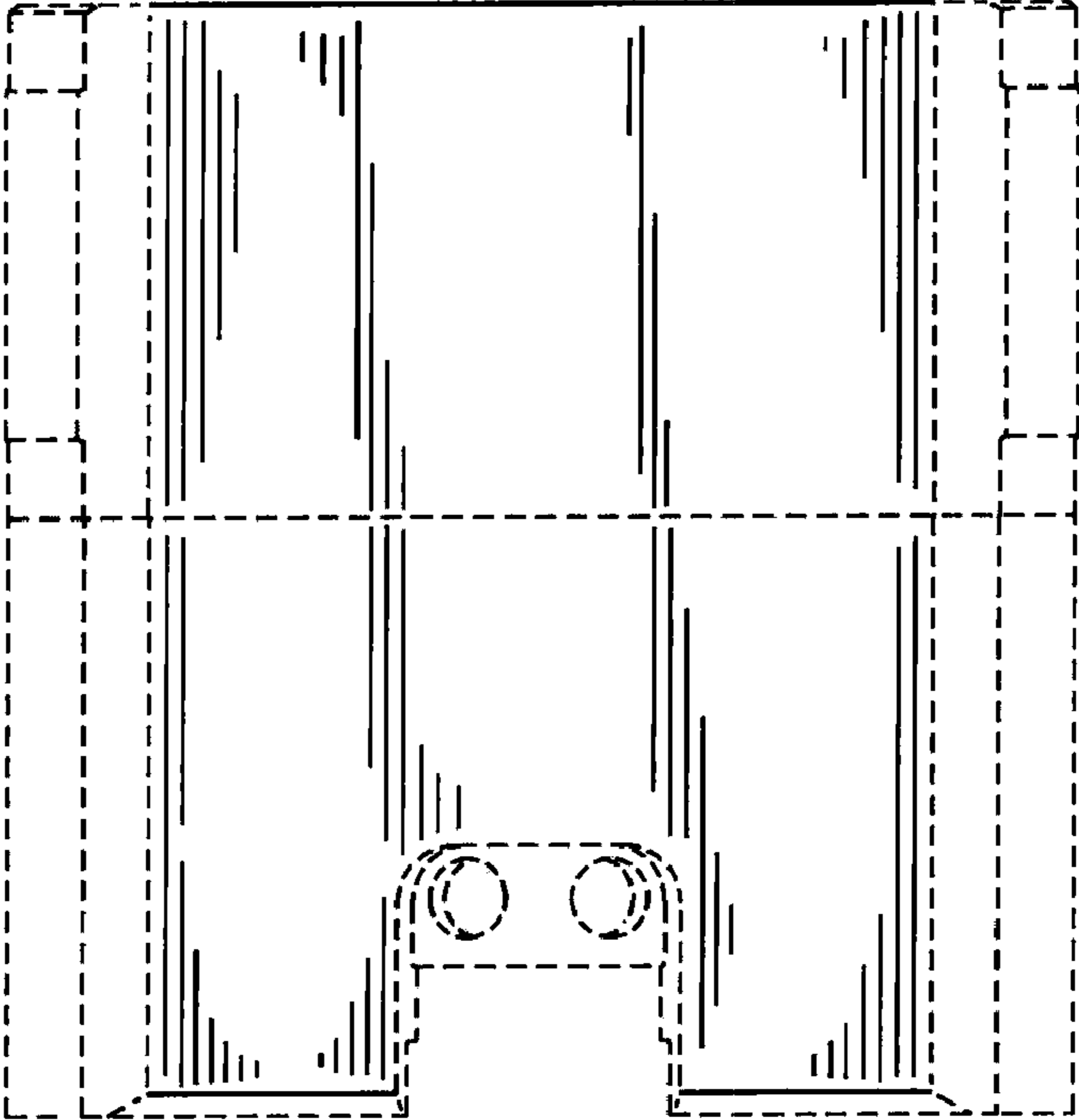


FIG. 5

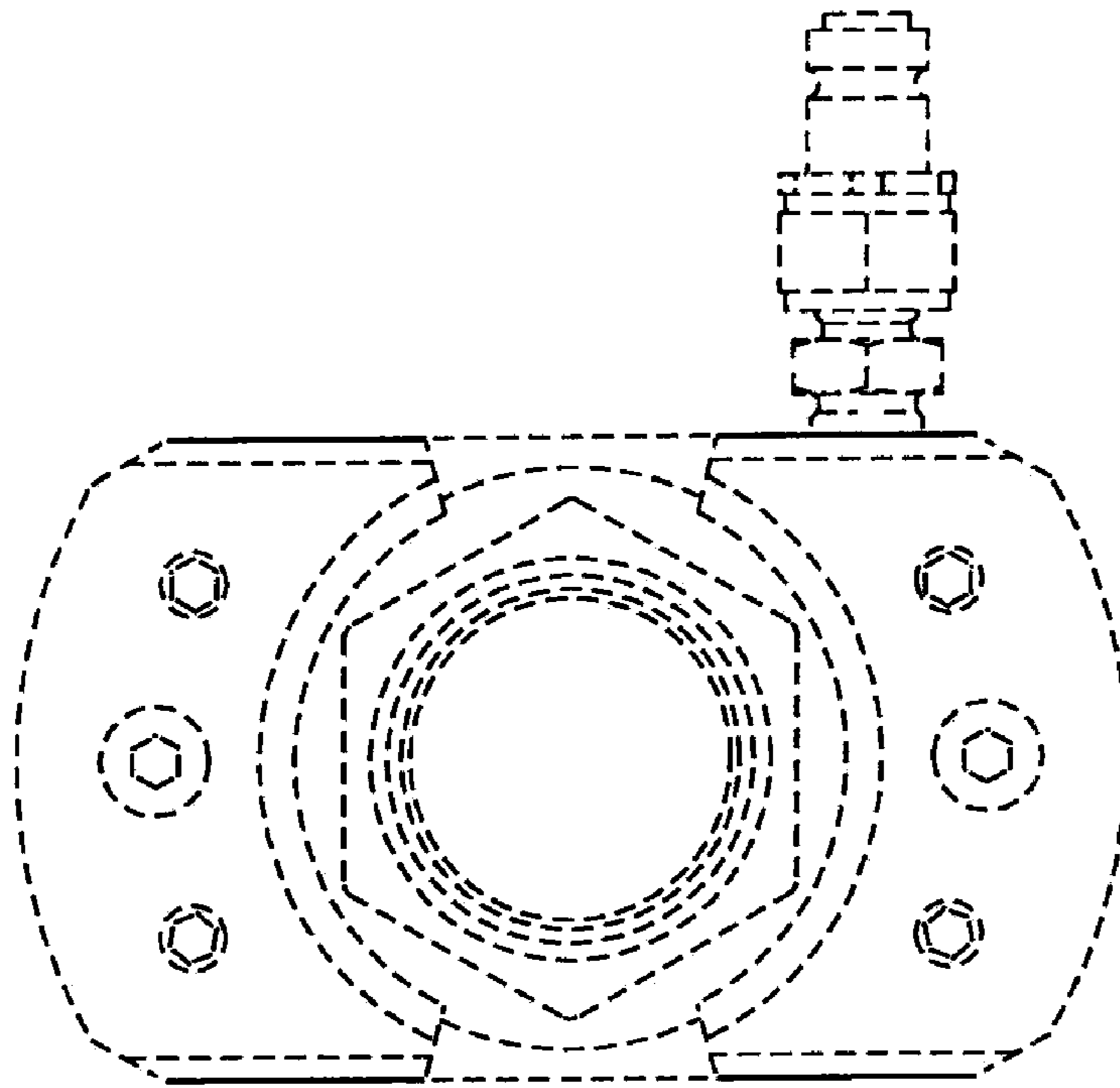


FIG. 6