



US00D601599S

(12) **United States Design Patent**
Rubenstein

(10) **Patent No.:** **US D601,599 S**

(45) **Date of Patent:** **** Oct. 6, 2009**

(54) **SPUR DRIVE**

(76) Inventor: **William S. Rubenstein**, 3435 Hilltop Dr., St. Charles, MO (US) 63301

(**) Term: **14 Years**

(21) Appl. No.: **29/283,790**

(22) Filed: **Aug. 23, 2007**

(51) **LOC (9) Cl.** **15-09**

(52) **U.S. Cl.** **D15/149**

(58) **Field of Classification Search** D15/143,
D15/148, 149; 74/446; 165/8, 10, DIG. 27;
464/84

See application file for complete search history.

(56) **References Cited**

U.S. PATENT DOCUMENTS

D193,027	S	*	6/1962	Seigel	D15/148
4,941,861	A	*	7/1990	Painter	464/102
D340,845	S	*	11/1993	Holmgren	D8/70
5,720,208	A		2/1998	Siegel		
D400,773	S	*	11/1998	Lin	D8/70
D573,166	S	*	7/2008	Okamoto	D15/143

* cited by examiner

Primary Examiner—Sandra Snapp
Assistant Examiner—Patricia Palasik
(74) *Attorney, Agent, or Firm*—Grace J. Fishel

(57) **CLAIM**

The ornamental design for a spur drive, as shown and described.

DESCRIPTION

FIG. 1 is a perspective top view of a spur drive showing my new design;

FIG. 2 is perspective end view thereof;

FIG. 3 is a top view thereof;

FIG. 4 is a bottom view thereof;

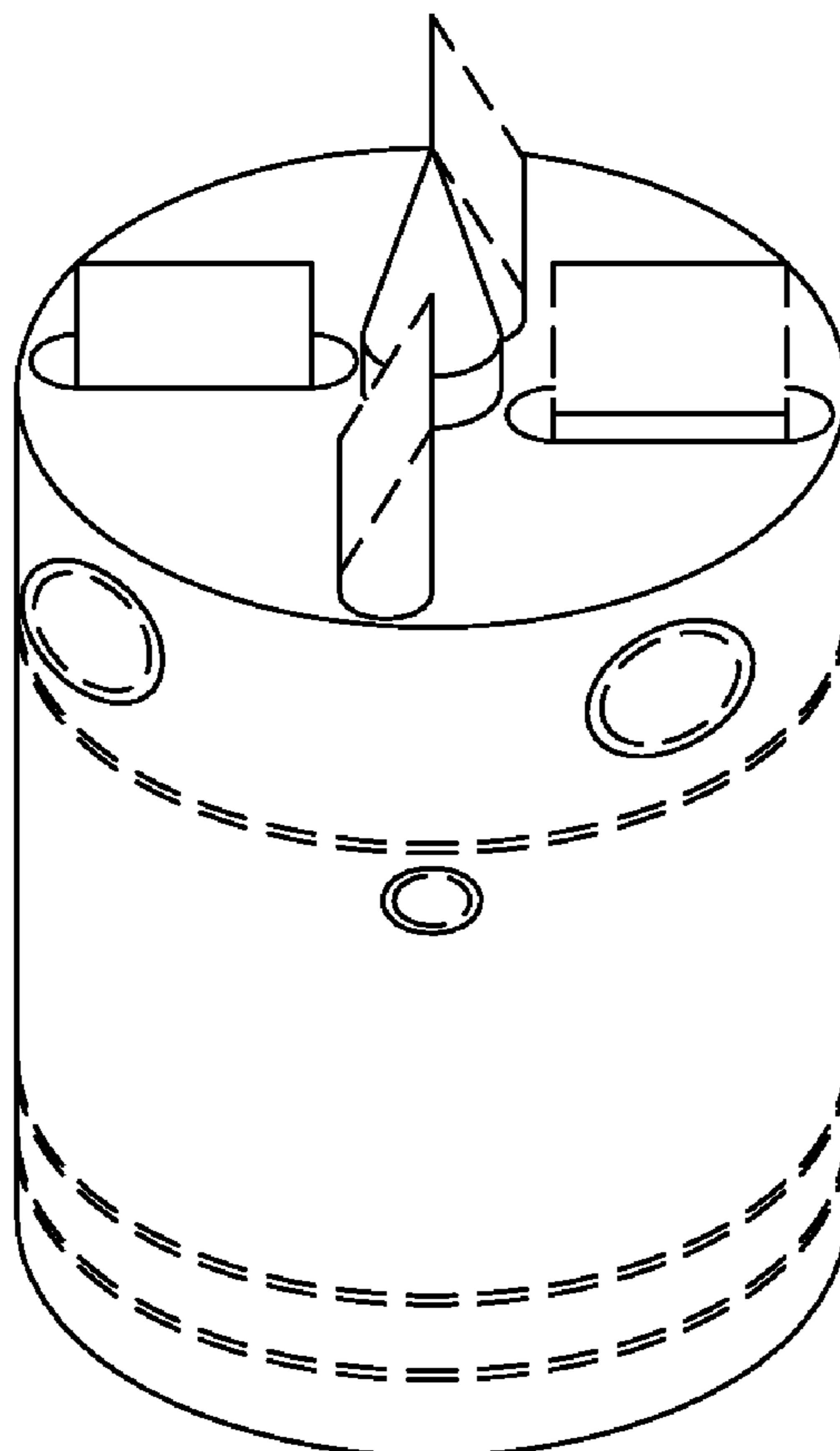
FIG. 5 is a side elevational view thereof;

FIG. 6 is a side elevational view thereof rotated 180 degrees from FIG. 5; and,

FIG. 7 is a side elevational view thereof rotated 90 degrees from FIG. 5.

The broken line showing of the spur drive is included for the purpose of illustrating portions of the spur drive and forms no part of the claimed design.

1 Claim, 3 Drawing Sheets



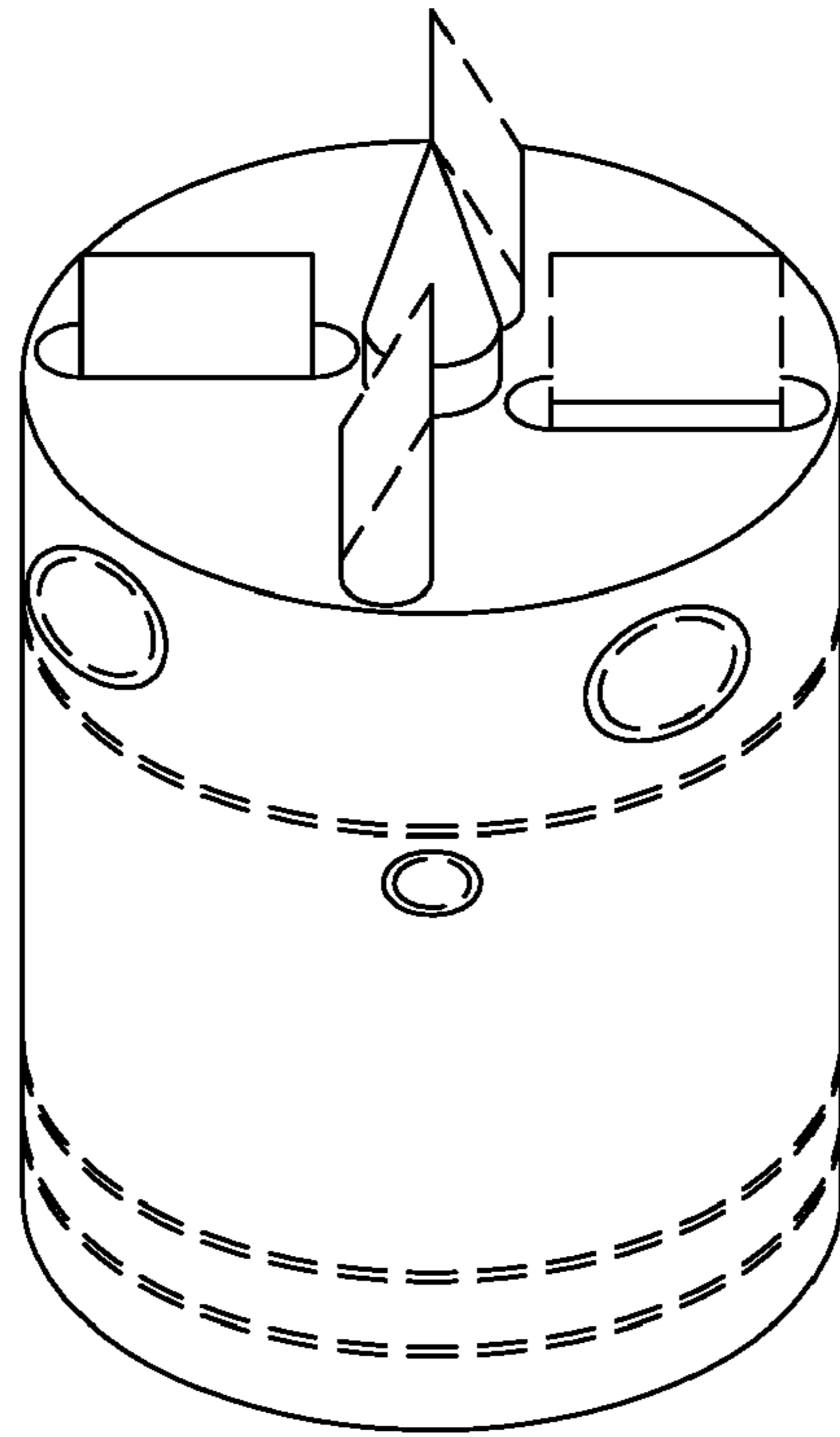


Fig. 1

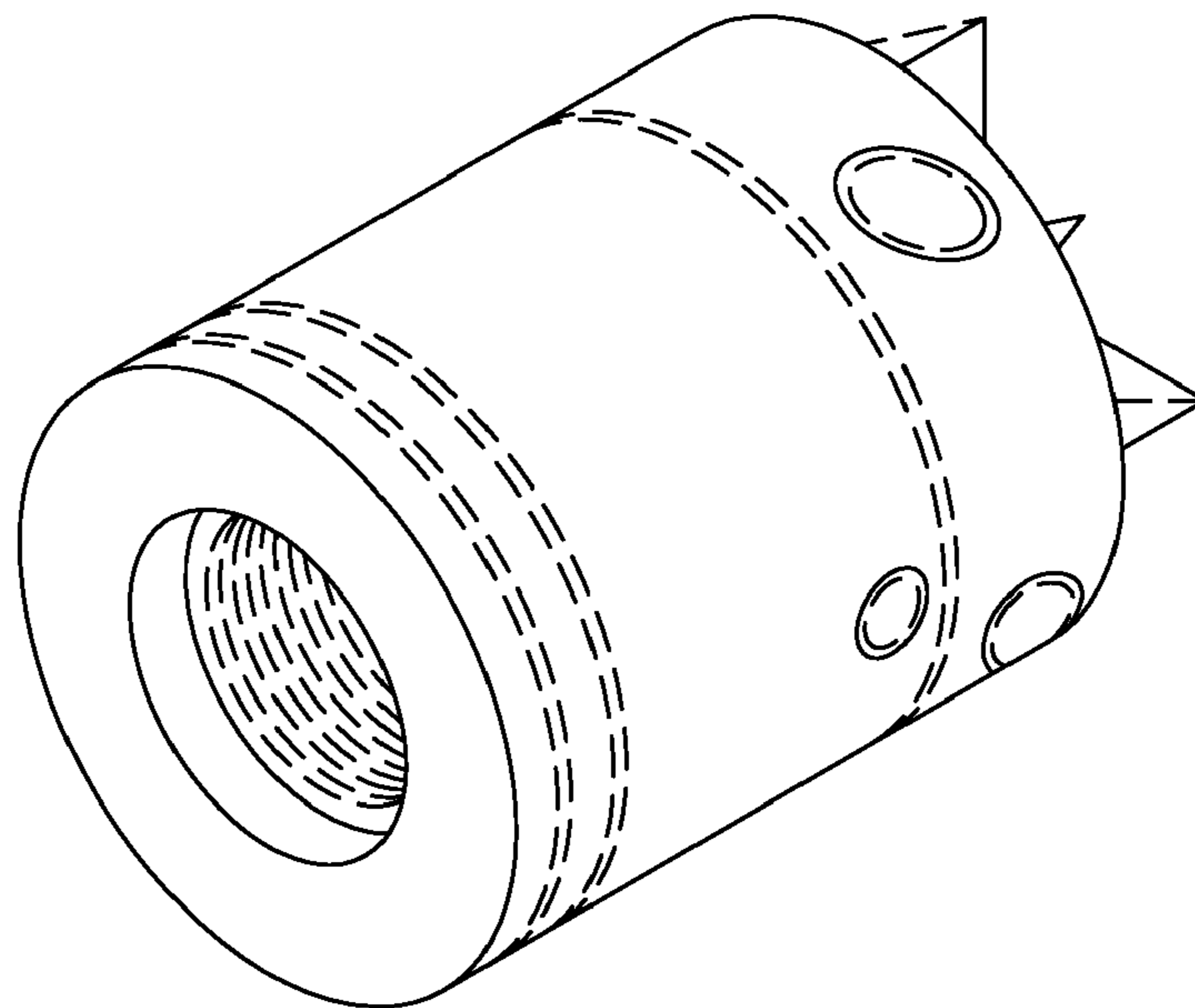


Fig. 2

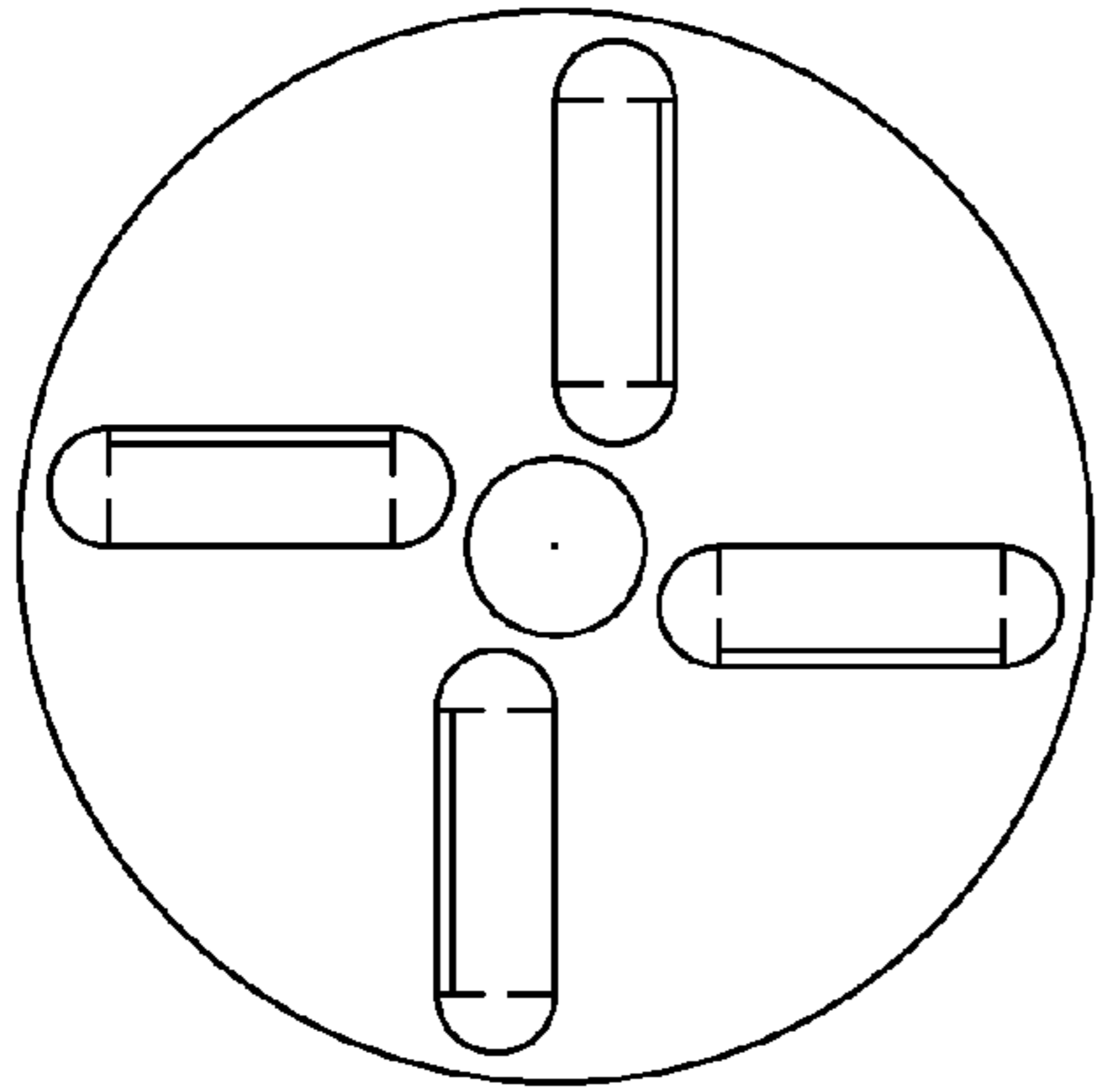


Fig. 3

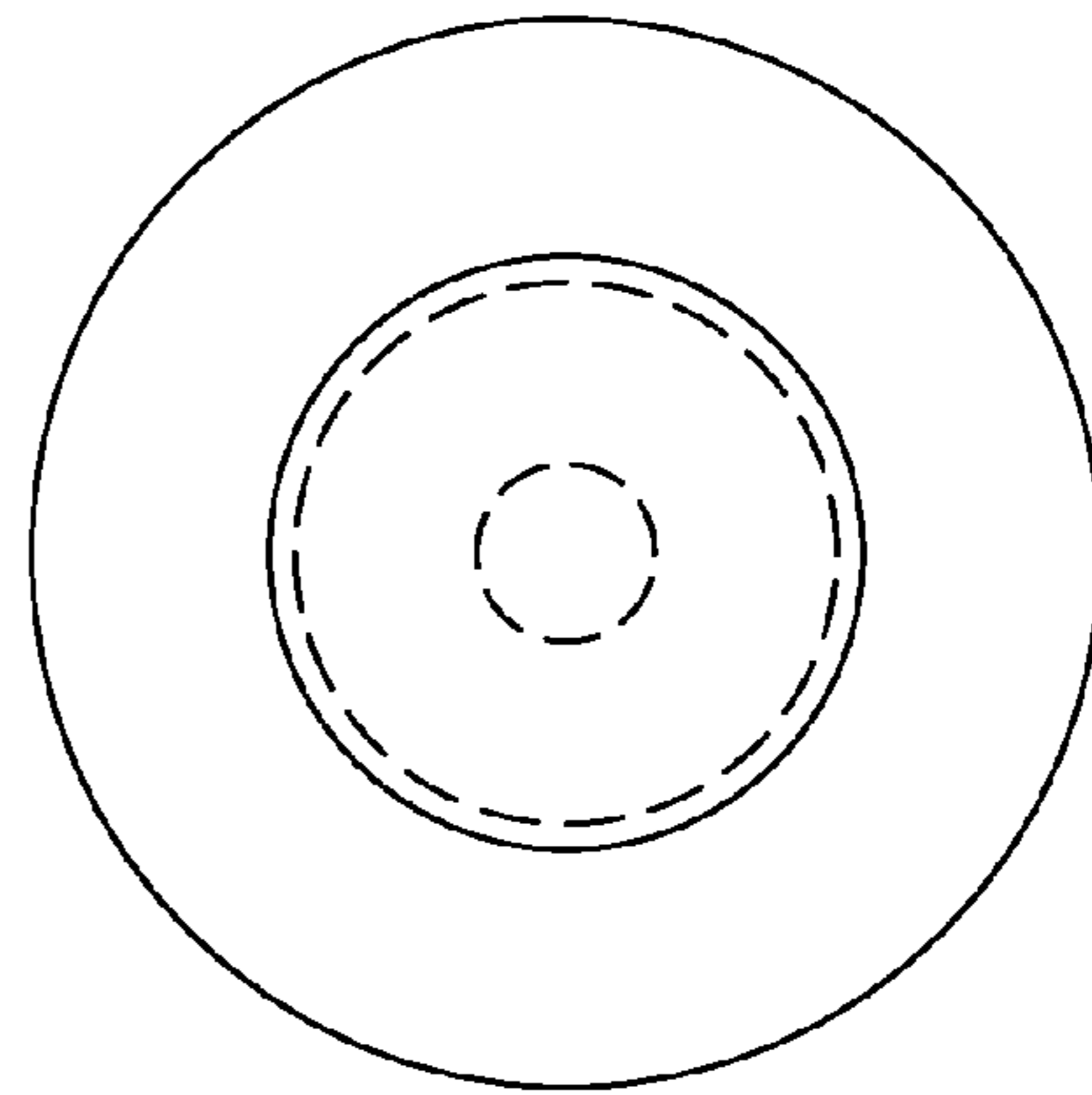


Fig. 4

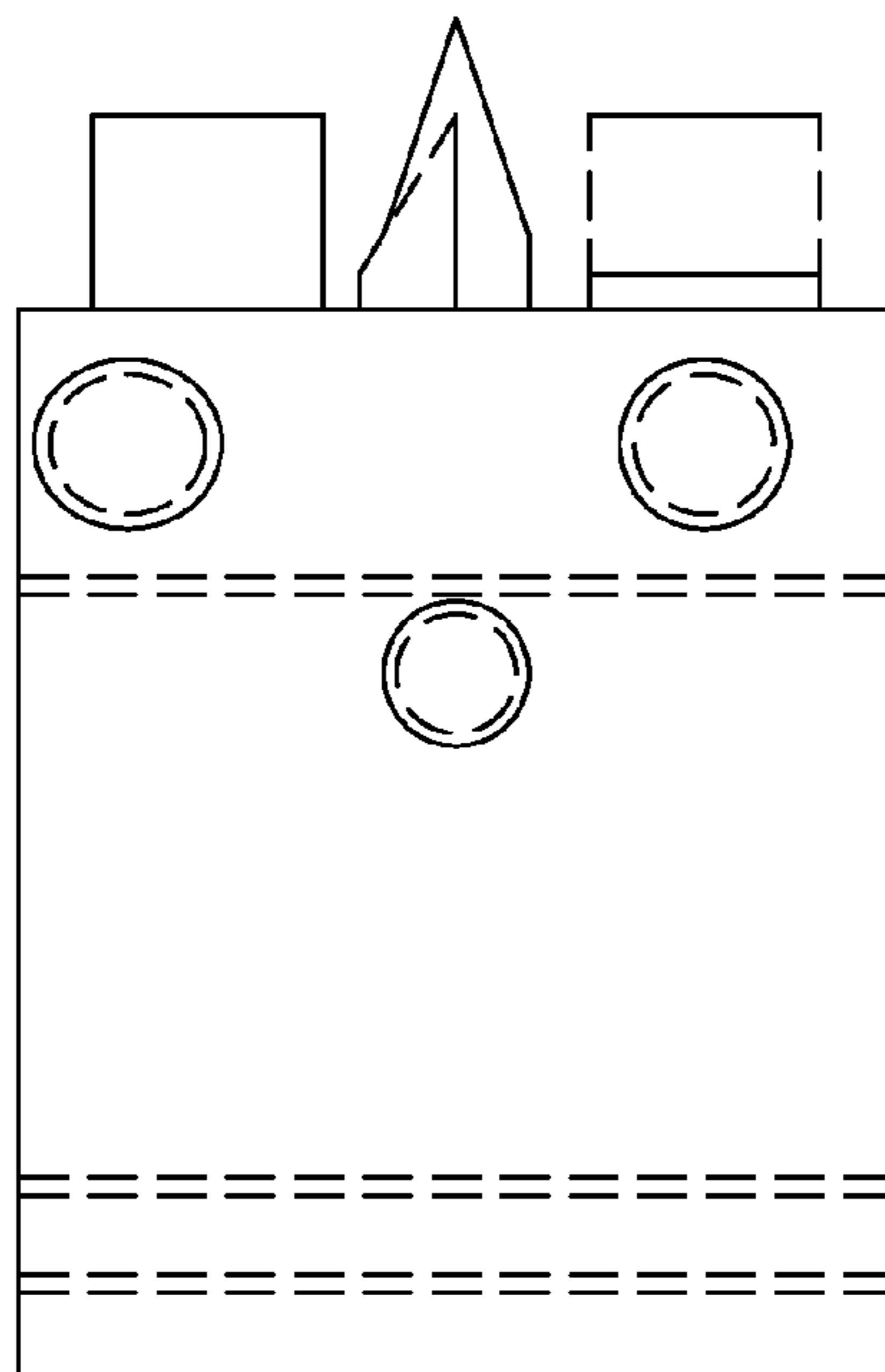


Fig. 5

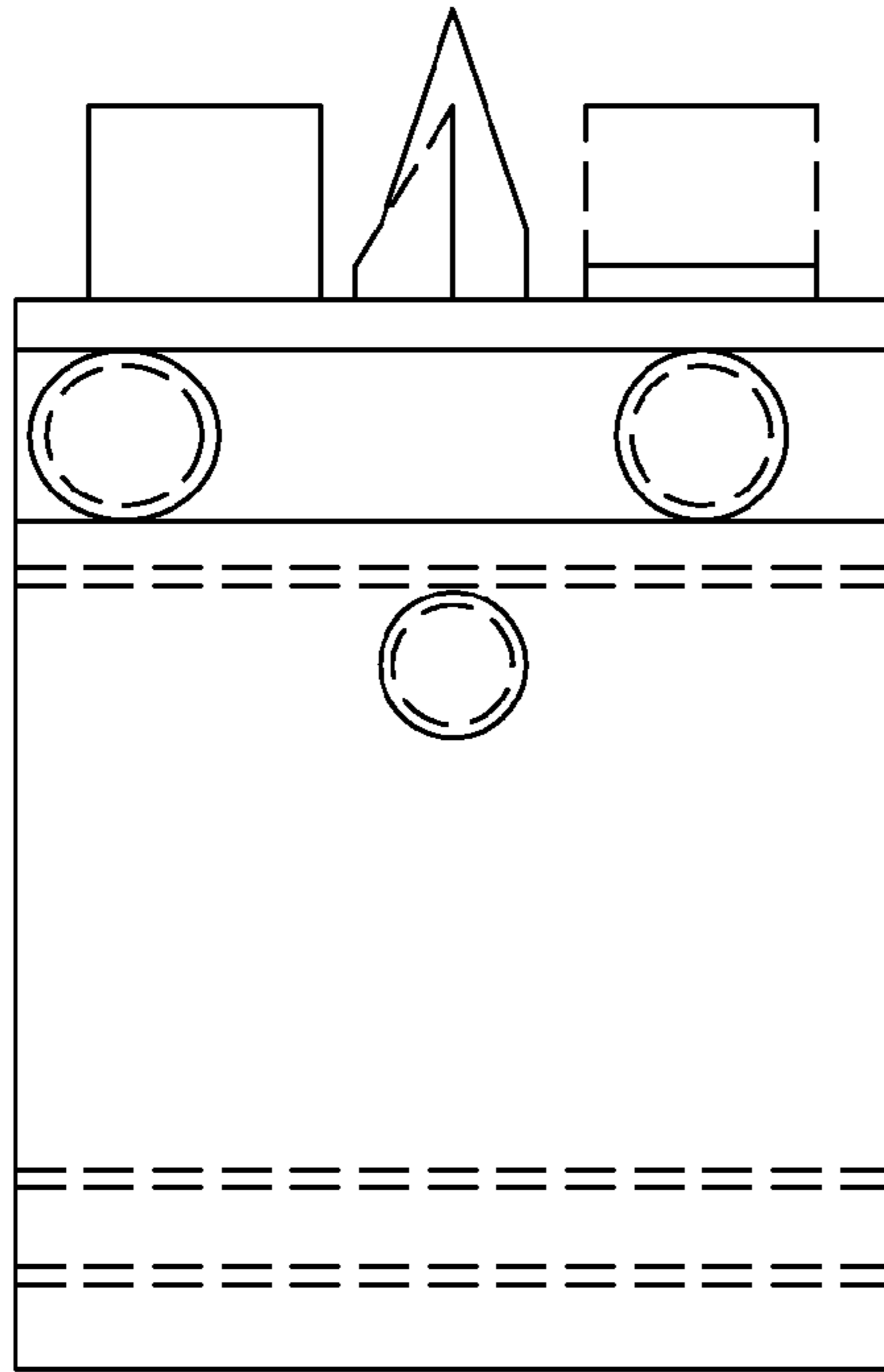


Fig. 6

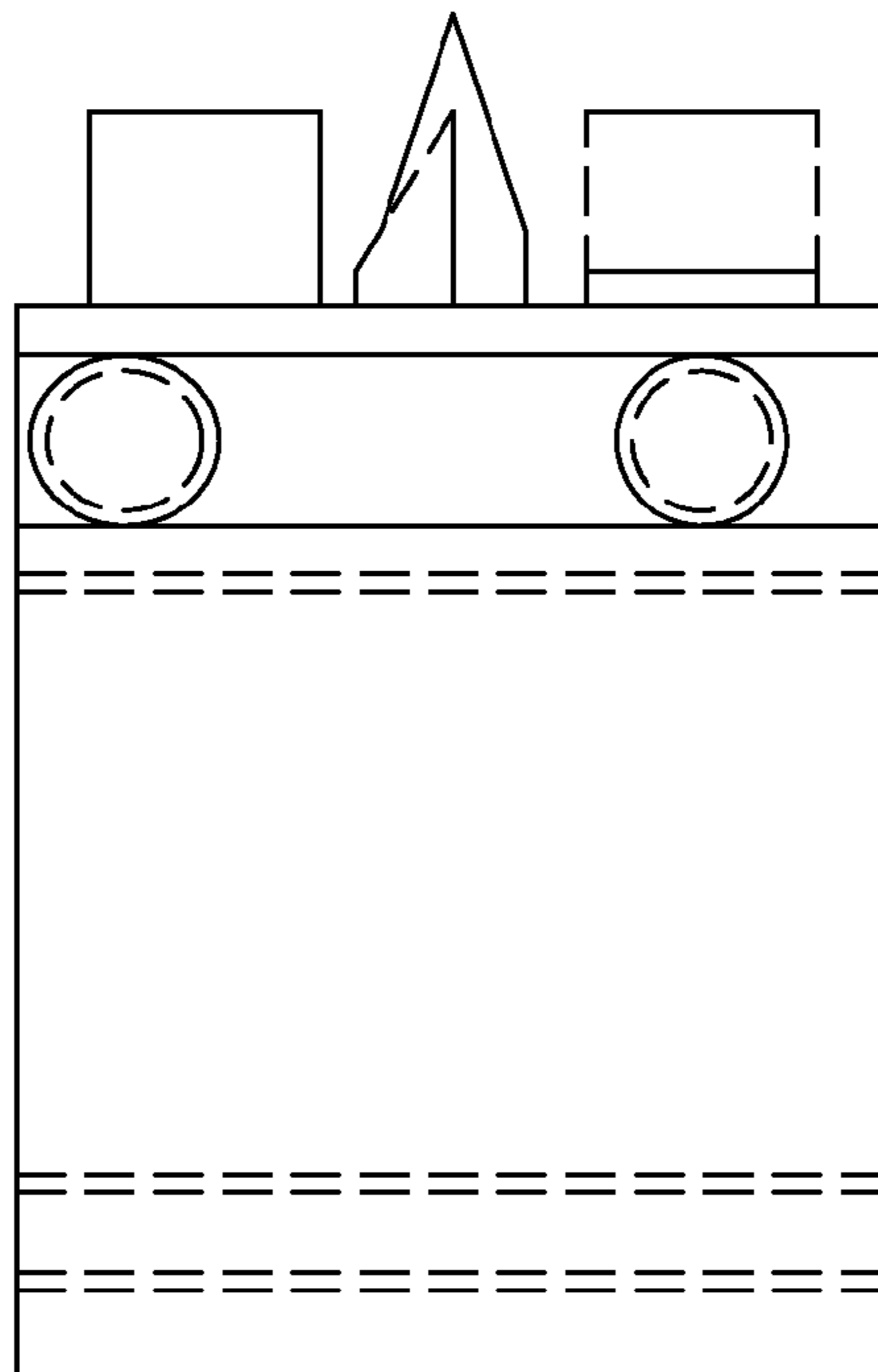


Fig. 7