



US00D601598S

(12) **United States Design Patent**
Yang et al.

(10) **Patent No.:** **US D601,598 S**

(45) **Date of Patent:** **** Oct. 6, 2009**

(54) **GRINDSTONE**

(76) Inventors: **Ching-Sen Yang**, 5, Lane 131,
Ciaocheng 1st Street, Taichung (TW);
Eric Liao, 19-1, Jhongsiao Road, Dali,
Taichung (TW)

(**) Term: **14 Years**

(21) Appl. No.: **29/324,875**

(22) Filed: **Sep. 23, 2008**

(51) **LOC (9) Cl.** **15-09**

(52) **U.S. Cl.** **D15/125**

(58) **Field of Classification Search** D8/61,
D8/64, 91, 93; D15/123, 124, 125, 126;
29/81.12; 125/11.3; 144/1 A, 1 R, 16; 451/56,
451/72, 259-262, 310, 365, 443, 464, 496,
451/498, 508, 526-533

See application file for complete search history.

(56) **References Cited**

U.S. PATENT DOCUMENTS

D278,968 S *	5/1985	Farmer, Sr.	D8/91
D309,414 S *	7/1990	Shimizu	D8/93
D328,604 S *	8/1992	Chien	D15/124
D363,867 S *	11/1995	Harrison et al.	D8/63
D447,756 S *	9/2001	Wang	D15/124
D472,565 S *	4/2003	Amamoto	D15/126
D505,683 S *	5/2005	Pfaff	D15/124

D523,717 S *	6/2006	Guo et al.	D8/63
D537,698 S *	3/2007	Hasegawa	D8/91
D558,801 S *	1/2008	Chen	D15/125
2002/0197942 A1 *	12/2002	Jansson	451/365
2004/0038631 A1 *	2/2004	Chen et al.	451/259
2006/0211345 A1 *	9/2006	Levsen	451/261

* cited by examiner

Primary Examiner—Sandra Snapp
Assistant Examiner—Patricia Palasik

(57) **CLAIM**

The ornamental design for a grindstone, as shown and described.

DESCRIPTION

FIG. 1 is a perspective view of a grindstone showing my new design;

FIG. 2 is a front end view thereof;

FIG. 3 is a rear end view thereof;

FIG. 4 is a left side view thereof;

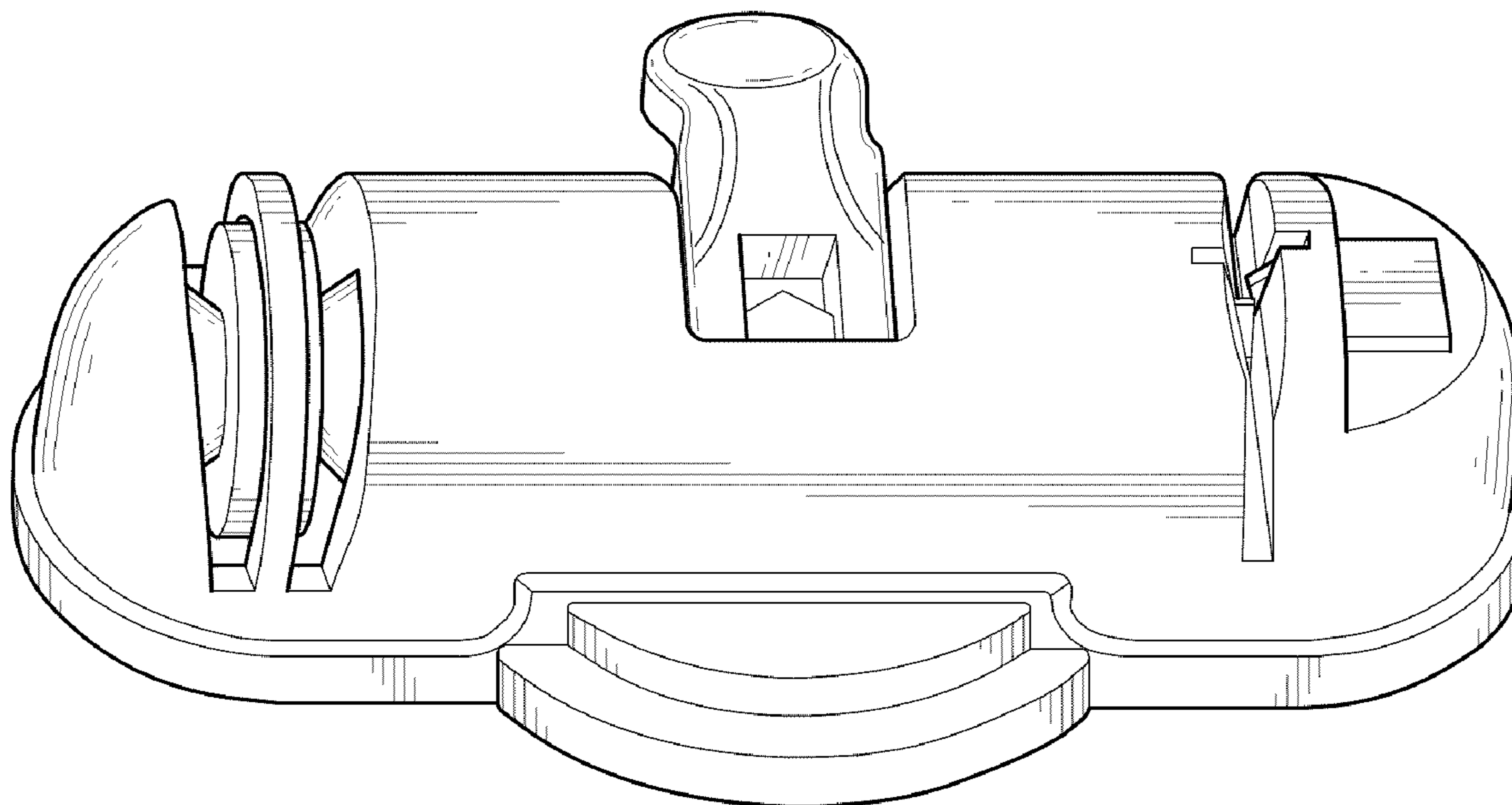
FIG. 5 is a right side view thereof;

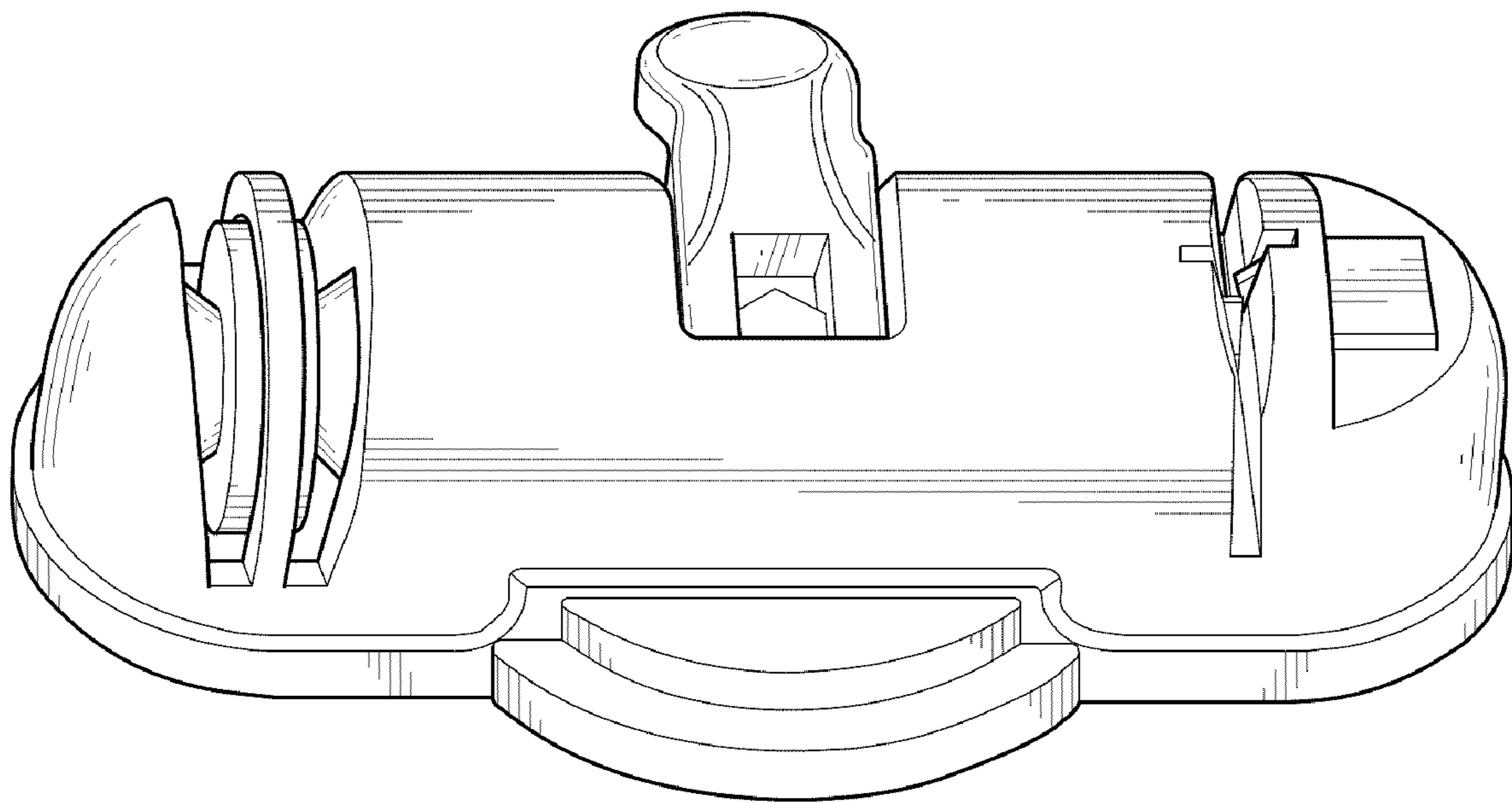
FIG. 6 is a top plan view thereof; and,

FIG. 7 is a bottom plan view thereof.

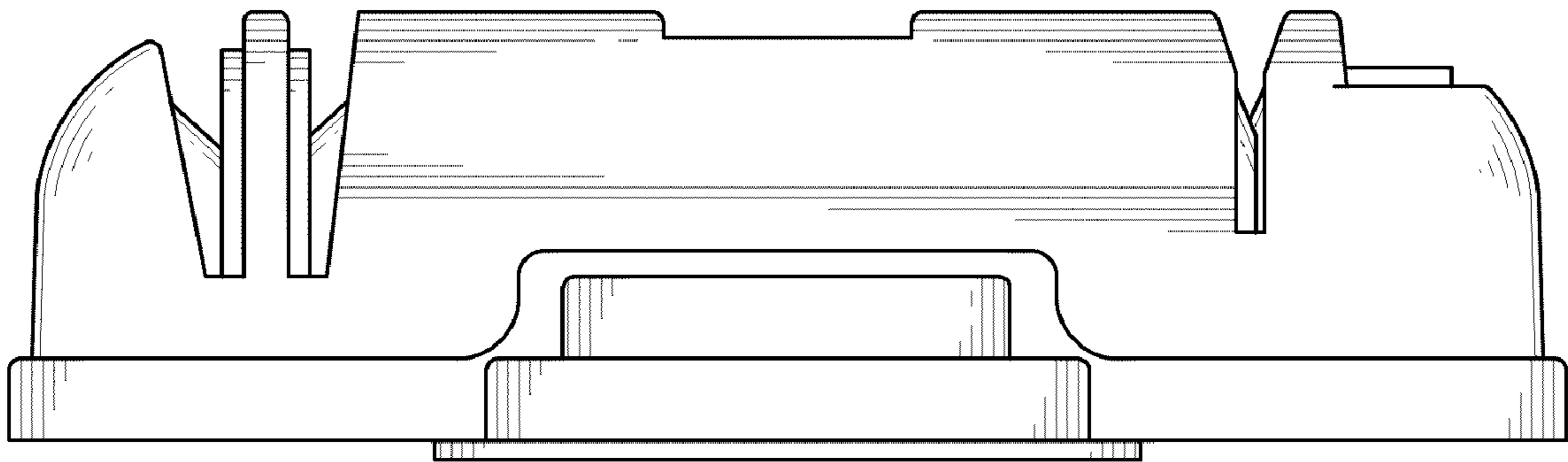
The broken line showing is for illustrative purposes only and forms no part of the claimed design.

1 Claim, 7 Drawing Sheets

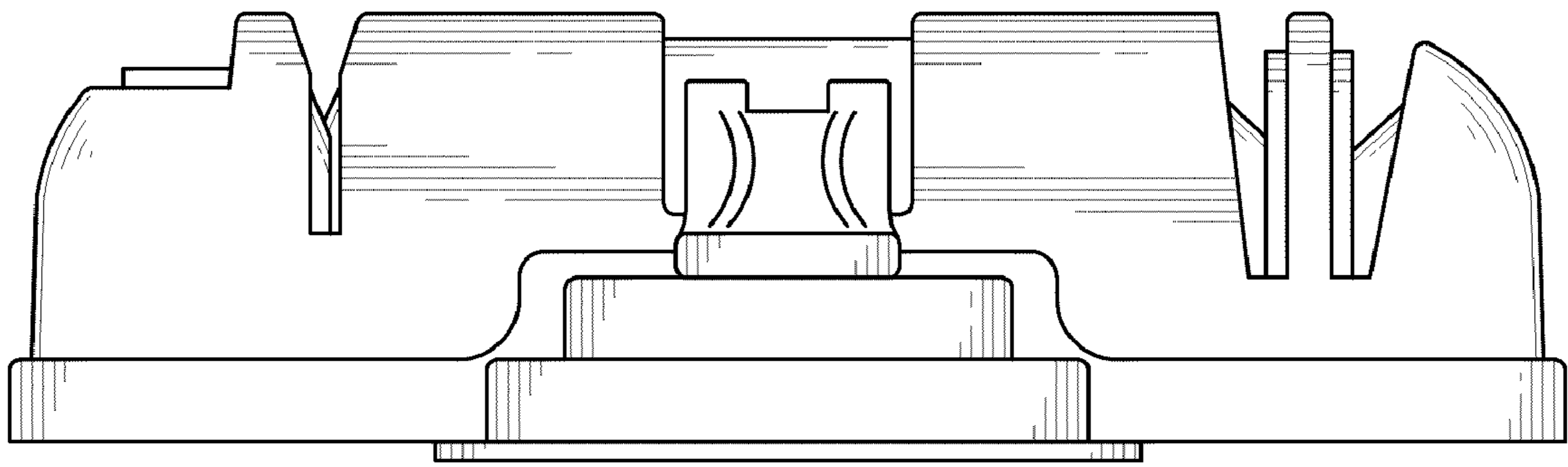




F I G . 1



F I G . 2



F I G . 3

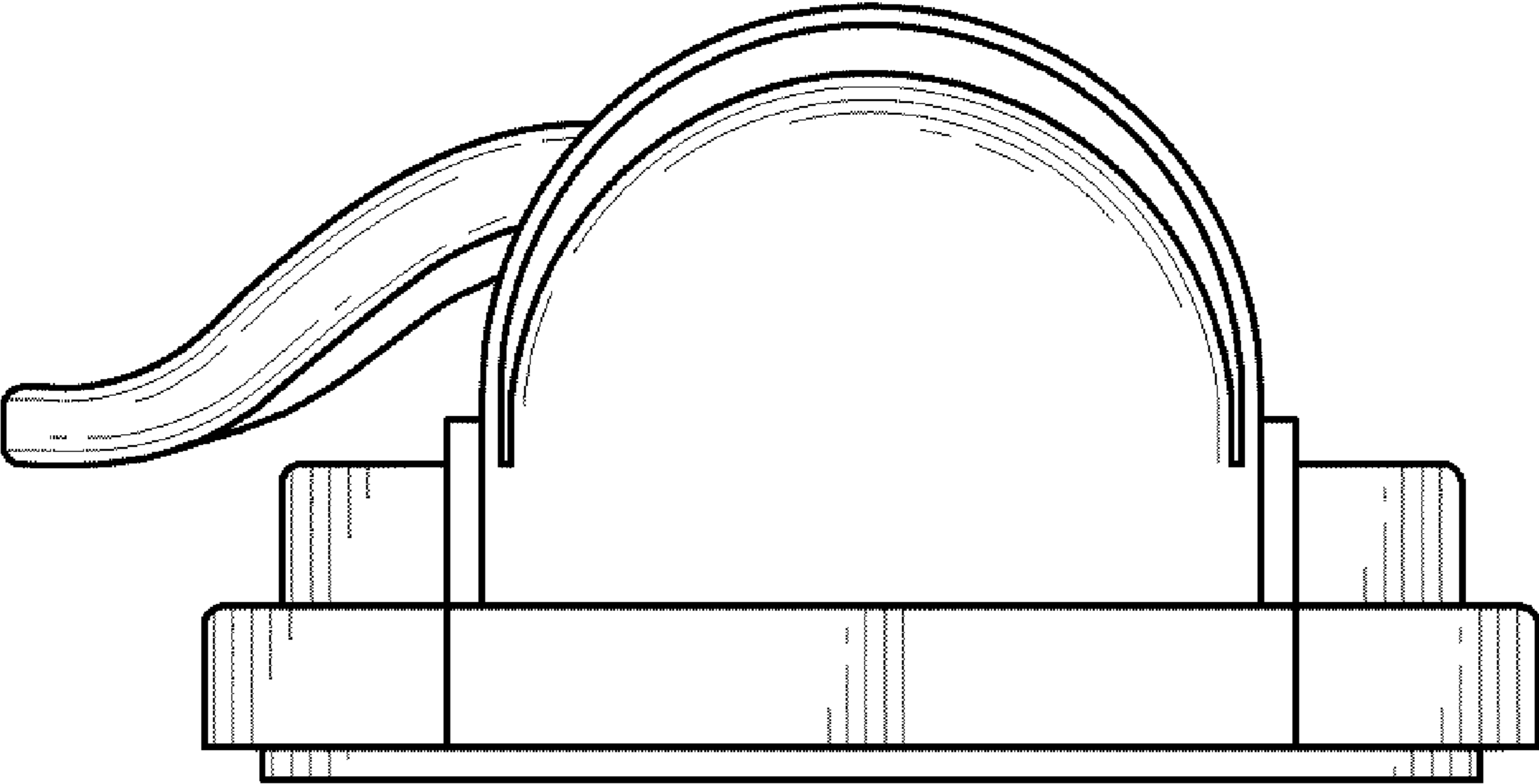


FIG. 4

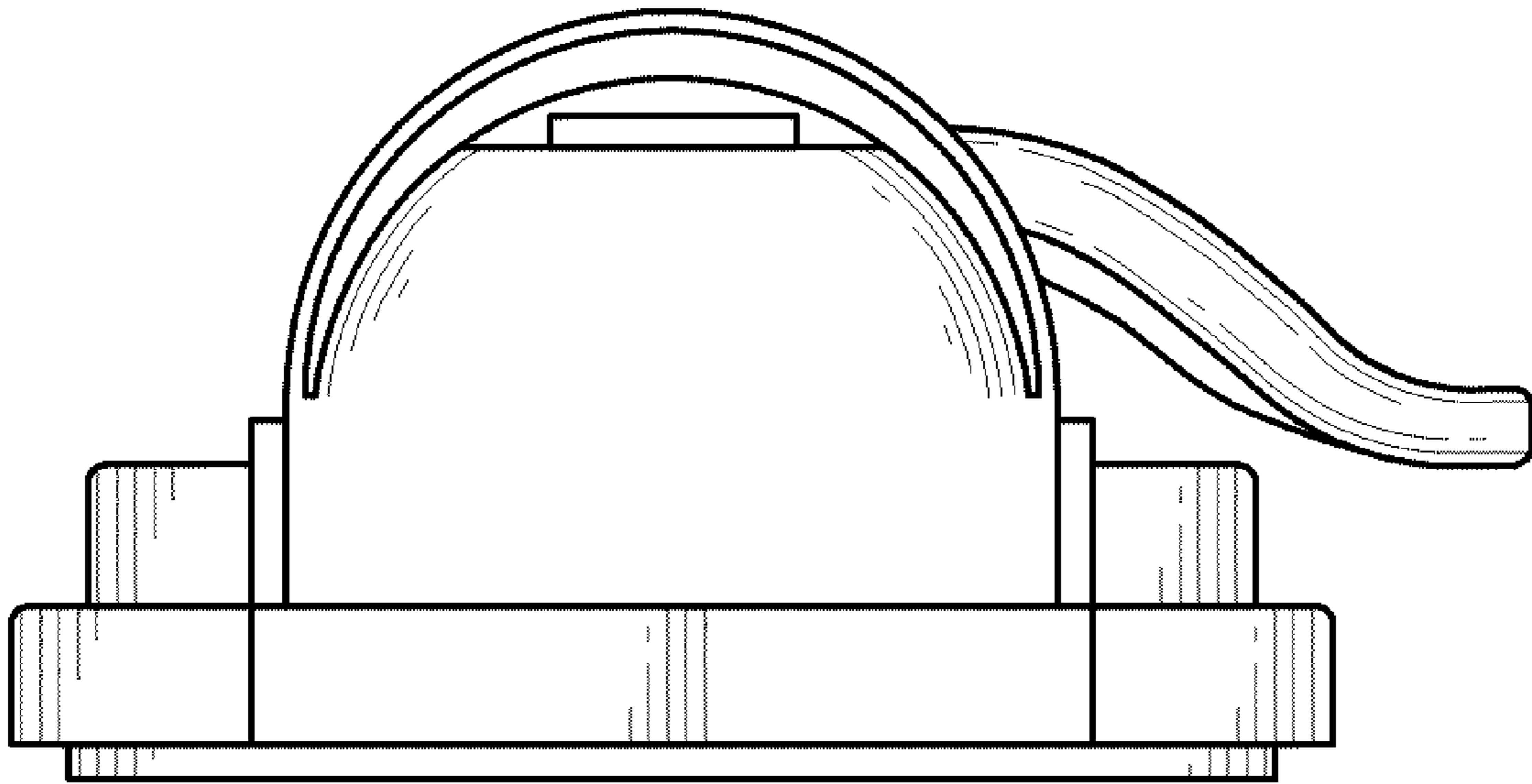
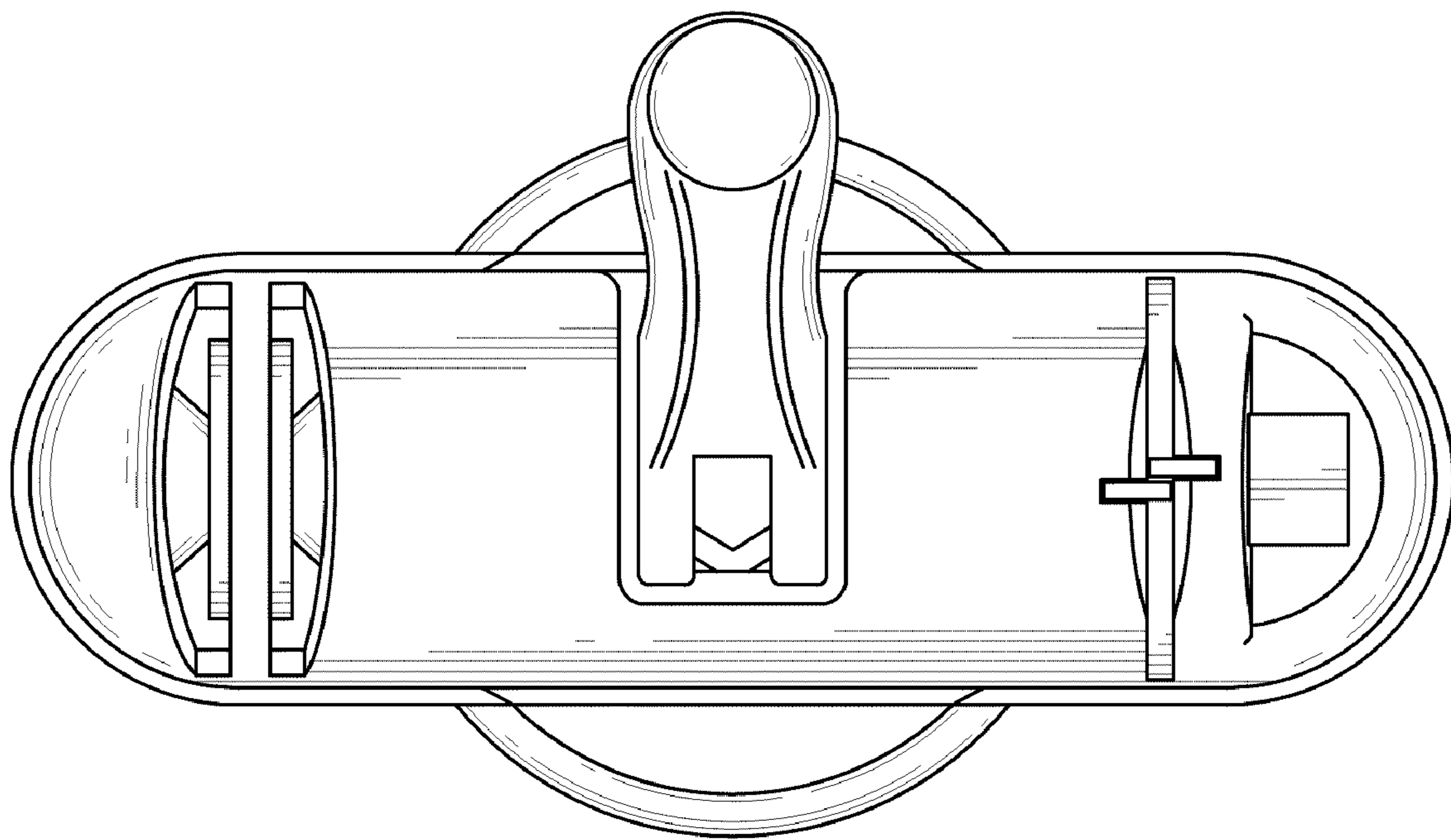
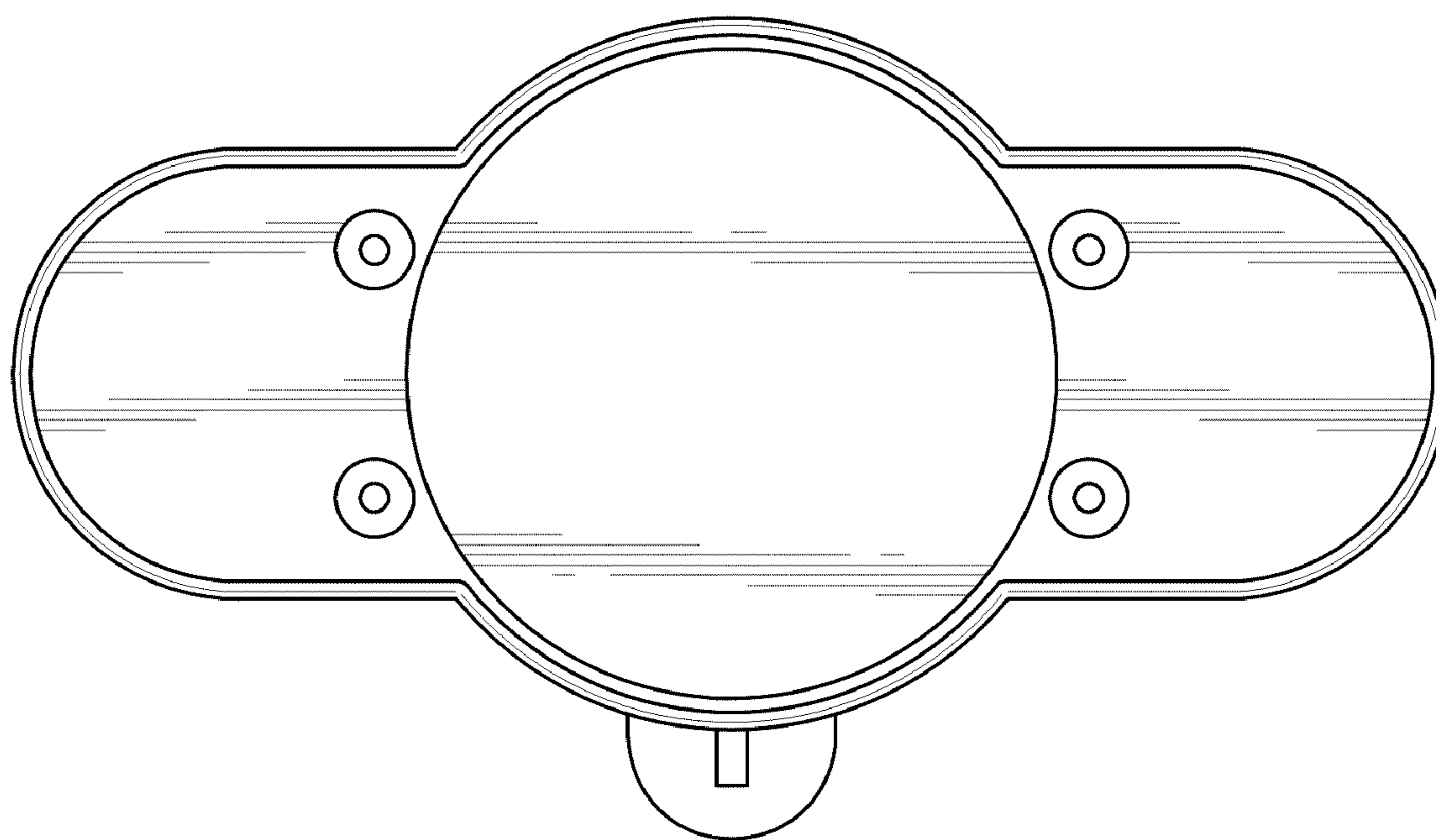


FIG. 5



F I G . 6



F I G . 7