



US00D601597S

(12) **United States Design Patent**
Barbieri

(10) **Patent No.:** **US D601,597 S**
(45) **Date of Patent:** **** Oct. 6, 2009**

(54) **ENCLOSED CHAMBER, ADJUSTABLE
FINISH-APPLICATOR FOR FLAT AND
DIMENSIONAL SURFACES**

7,322,221 B2 1/2008 Lohr et al.
2002/0081386 A1* 6/2002 Yoshida et al. 427/401

* cited by examiner

(75) Inventor: **Michael Barbieri**, Bozeman, MT (US)

Primary Examiner—Sandra Snapp
Assistant Examiner—Patricia Palasik

(73) Assignee: **P & B Construction, Inc.**

(74) *Attorney, Agent, or Firm*—Sarah J. Rhoades

(**) Term: **14 Years**

(57) **CLAIM**

(21) Appl. No.: **29/323,946**

The ornamental design for an enclosed chamber, adjustable finish-applicator for flat and dimensional surfaces, as shown and described.

(22) Filed: **Sep. 3, 2008**

(51) **LOC (9) Cl.** **15-09**

(52) **U.S. Cl.** **D15/122**

(58) **Field of Classification Search** D15/122,
D15/141, 199; 15/52, 256; 72/45, 236; 118/227,
118/259, 262, 503; 156/313, 563
See application file for complete search history.

DESCRIPTION

FIG. 1 is a side perspective view of the enclosed chamber, adjustable finish-applicator for flat and dimensional surfaces showing my new design;

FIG. 2 is a right side view of the enclosed chamber, adjustable finish-applicator for flat and dimensional surfaces;

FIG. 3 is a top perspective view of the enclosed chamber, adjustable finish-applicator for flat and dimensional surfaces;

FIG. 4 is an end view of the enclosed chamber, adjustable finish-applicator for flat and dimensional surfaces;

FIG. 5 is a bottom perspective view of the enclosed chamber, adjustable finish-applicator for flat and dimensional surfaces;

FIG. 6 is a bottom plan view of the enclosed chamber, adjustable finish-applicator for flat and dimensional surfaces.

FIG. 7 is a side perspective view of the enclosed chamber, adjustable finish-applicator for flat and dimensional surfaces and further illustrating an example of a flat and dimensional surface upon which the enclosed chamber, adjustable finish-applicator may act; and,

FIG. 8 is an enlarged detailed view of the side perspective view similarly demonstrated in FIG. 1.

The broken lines in the drawings depict unclaimed environmental subject matter.

(56) **References Cited**

U.S. PATENT DOCUMENTS

169,520	A	11/1875	Chambers	
4,288,274	A *	9/1981	Holz	156/364
4,653,303	A	3/1987	Richard	
4,662,310	A *	5/1987	Faber	118/503
4,976,817	A	12/1990	Correa et al.	
4,983,248	A *	1/1991	Seki	156/497
4,986,873	A	1/1991	Hamamura	
5,007,445	A	4/1991	Pender	
5,102,491	A *	4/1992	Correa et al.	156/550
5,240,545	A	8/1993	Washizaki et al.	
5,360,508	A *	11/1994	Taguchi et al.	156/521
5,372,670	A	12/1994	Cummings et al.	
5,385,610	A *	1/1995	Deerer et al.	118/241
5,389,185	A	2/1995	Washizaki	
5,393,348	A *	2/1995	Morris	118/668
5,422,147	A *	6/1995	Leiner et al.	427/600
5,638,893	A *	6/1997	Sankaran et al.	164/472
6,273,976	B1	8/2001	Oliver et al.	
6,444,032	B1 *	9/2002	Bamford	118/500
6,821,345	B2 *	11/2004	Obermark	118/227

1 Claim, 8 Drawing Sheets

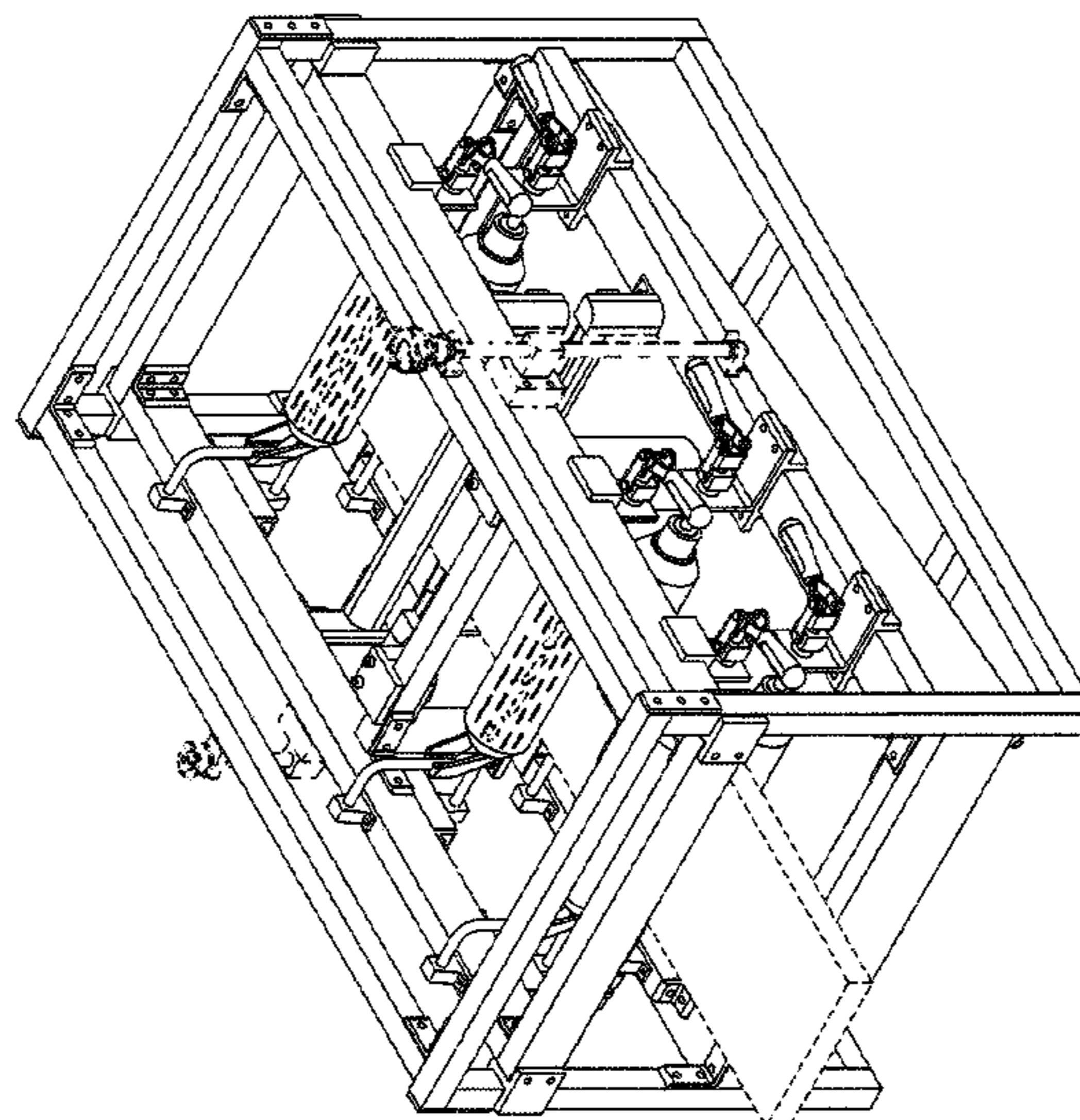


Figure 1

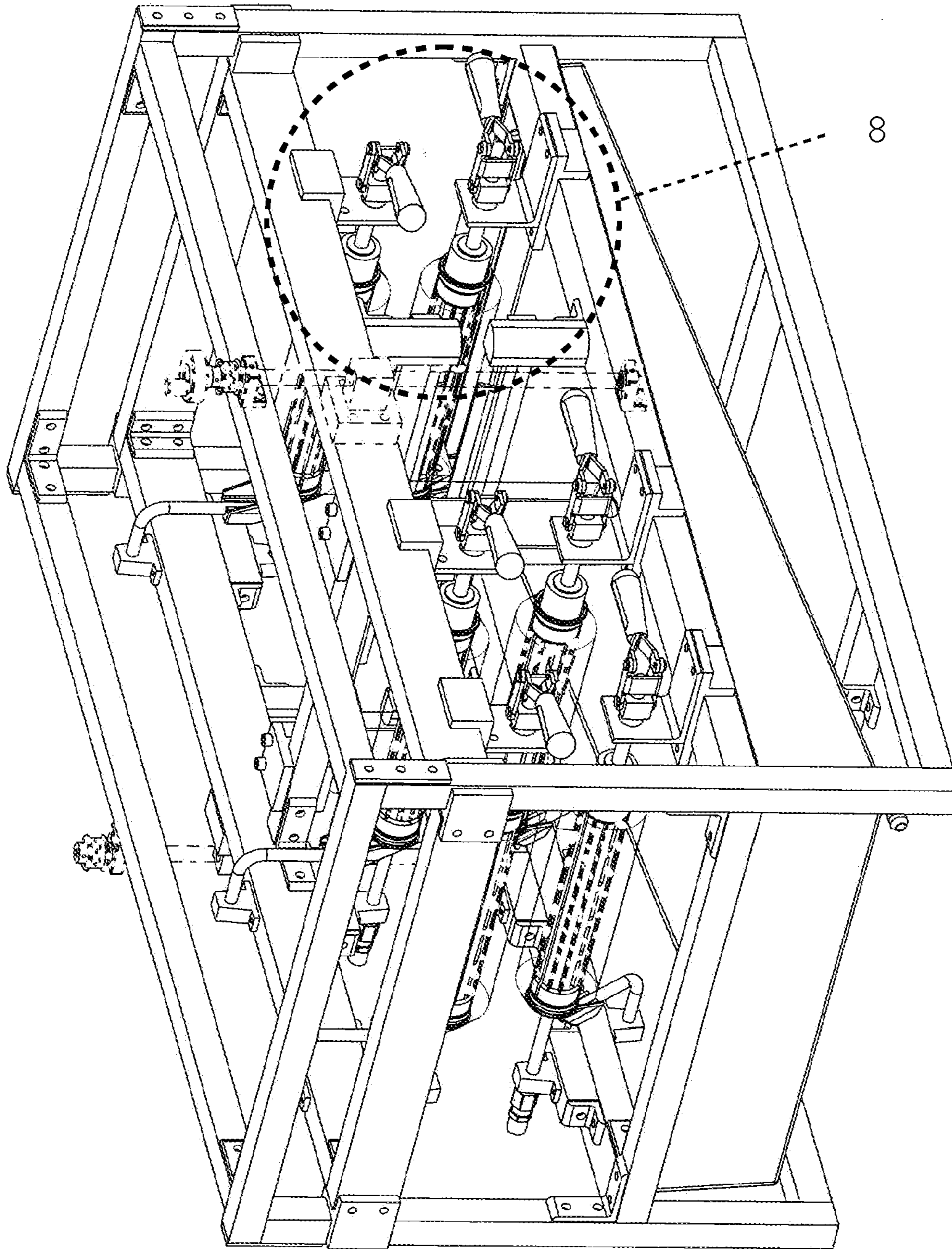


Figure 2

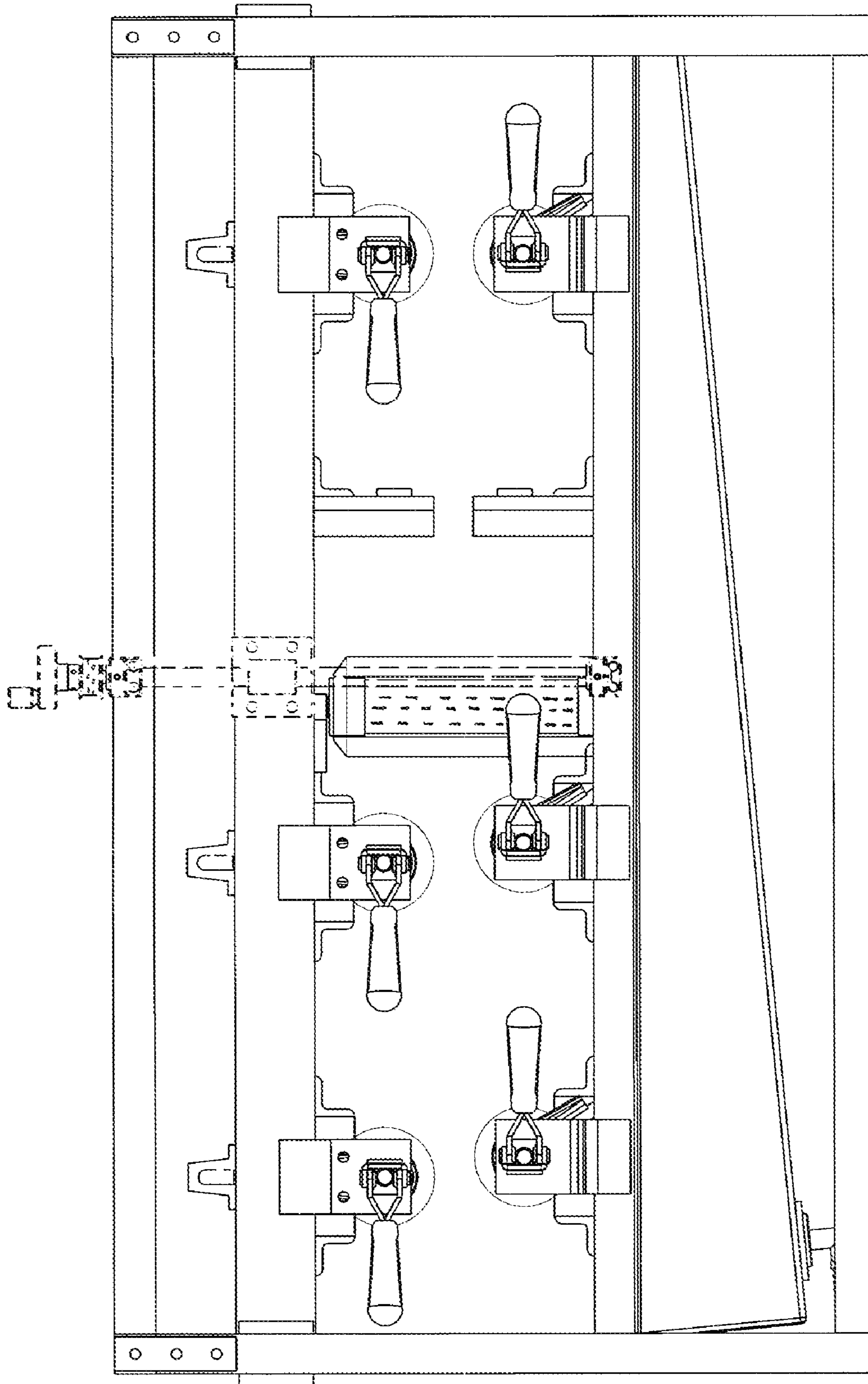


Figure 3

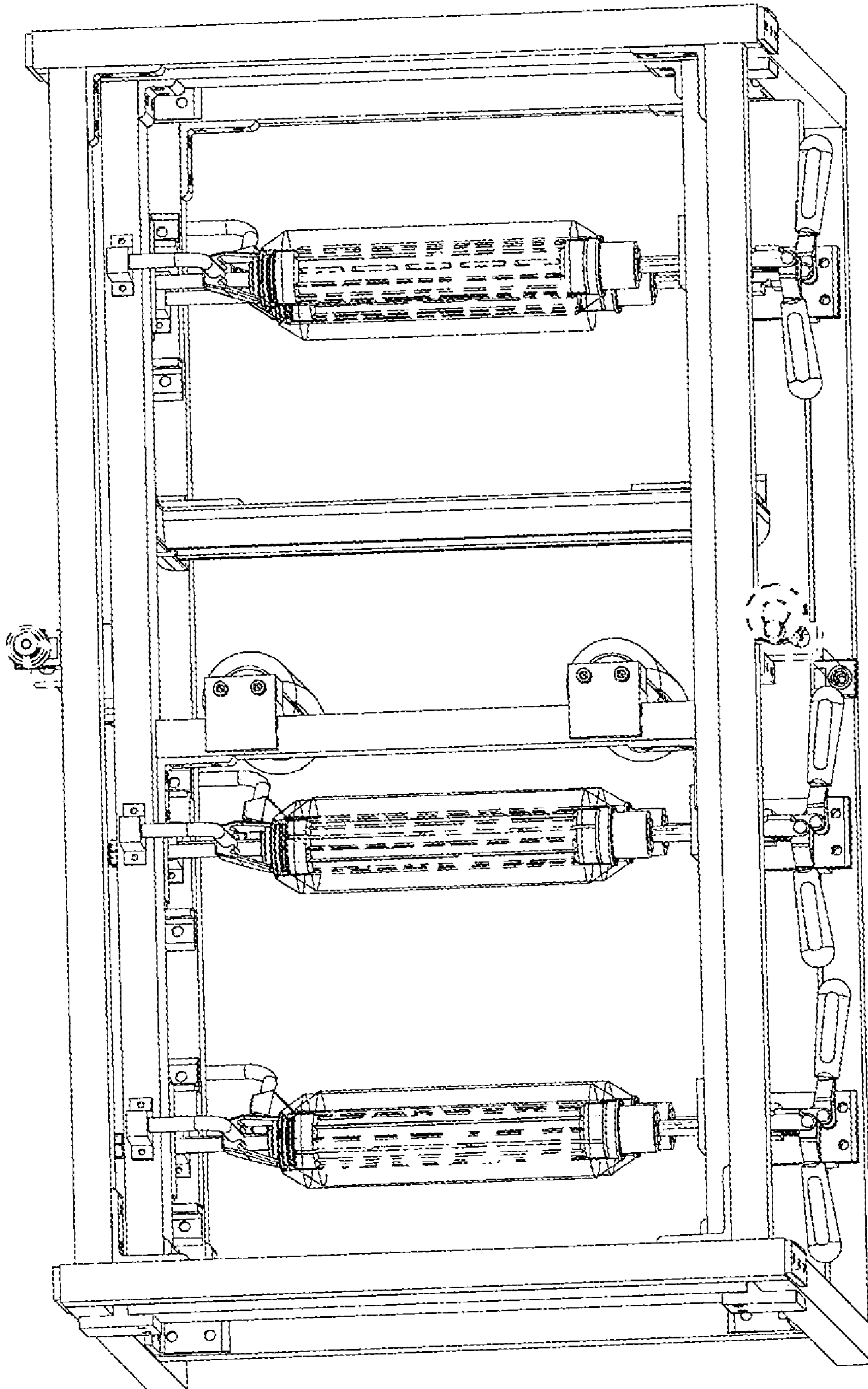


Figure 4

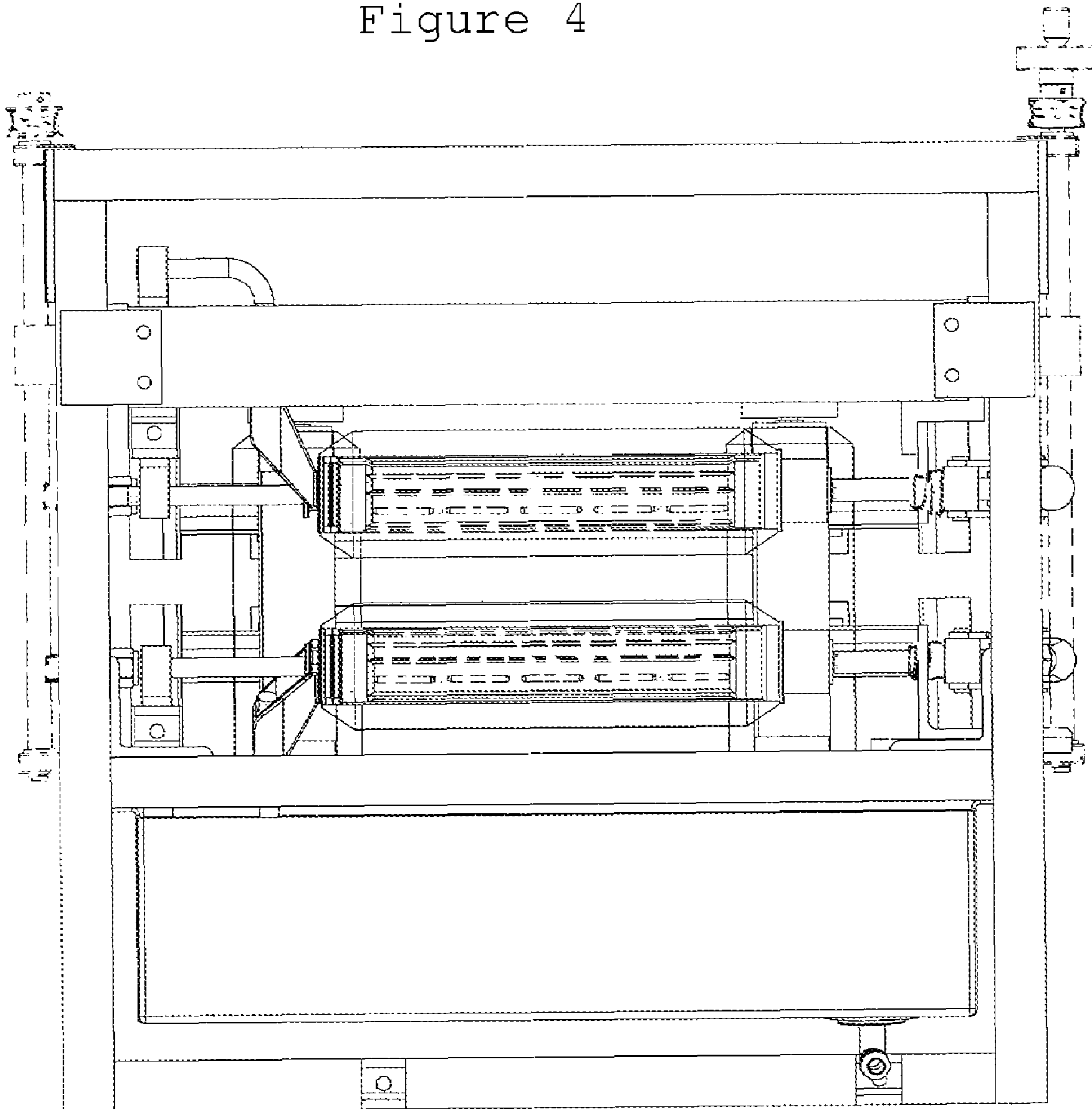


Figure 5

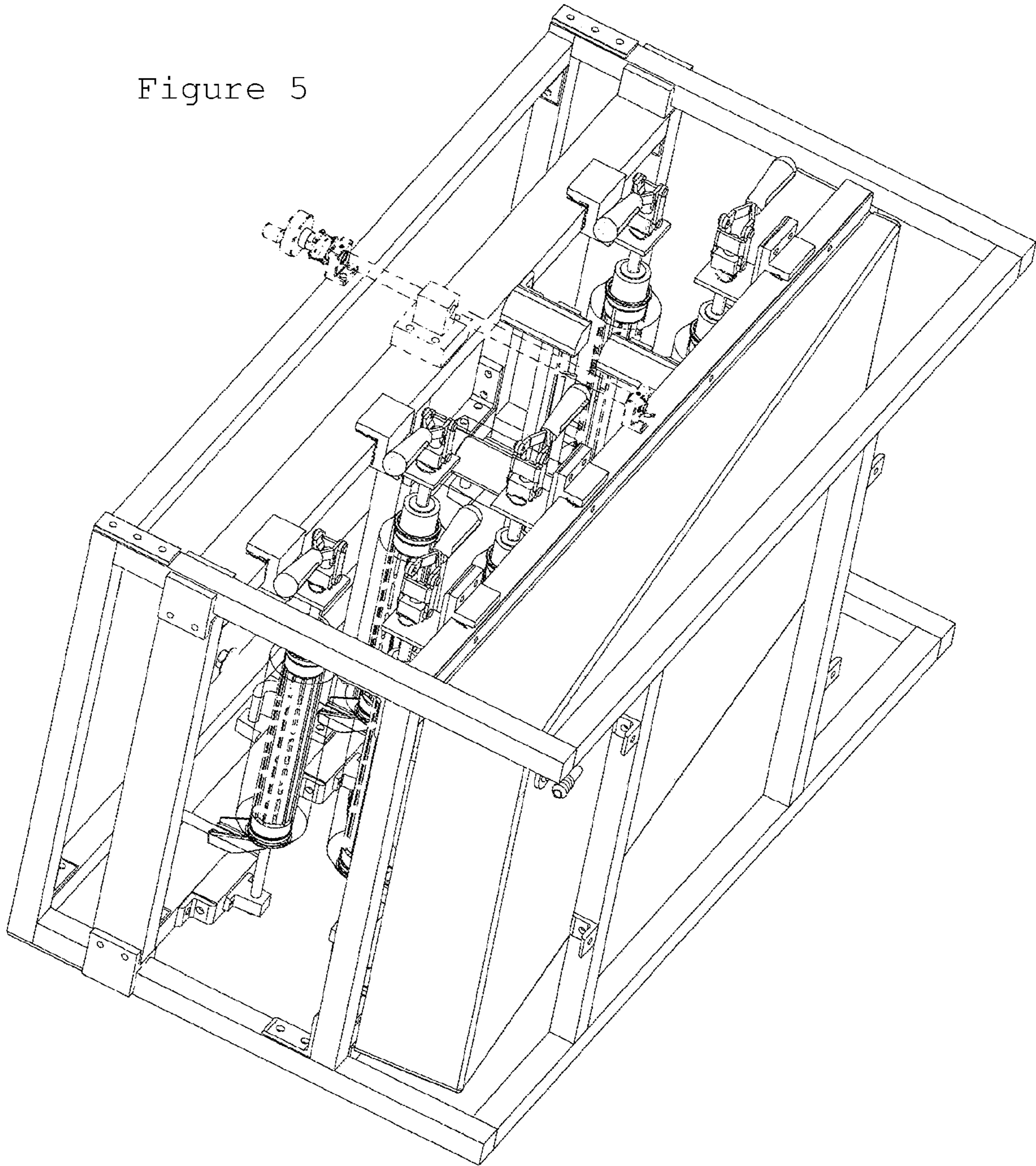


Figure 6

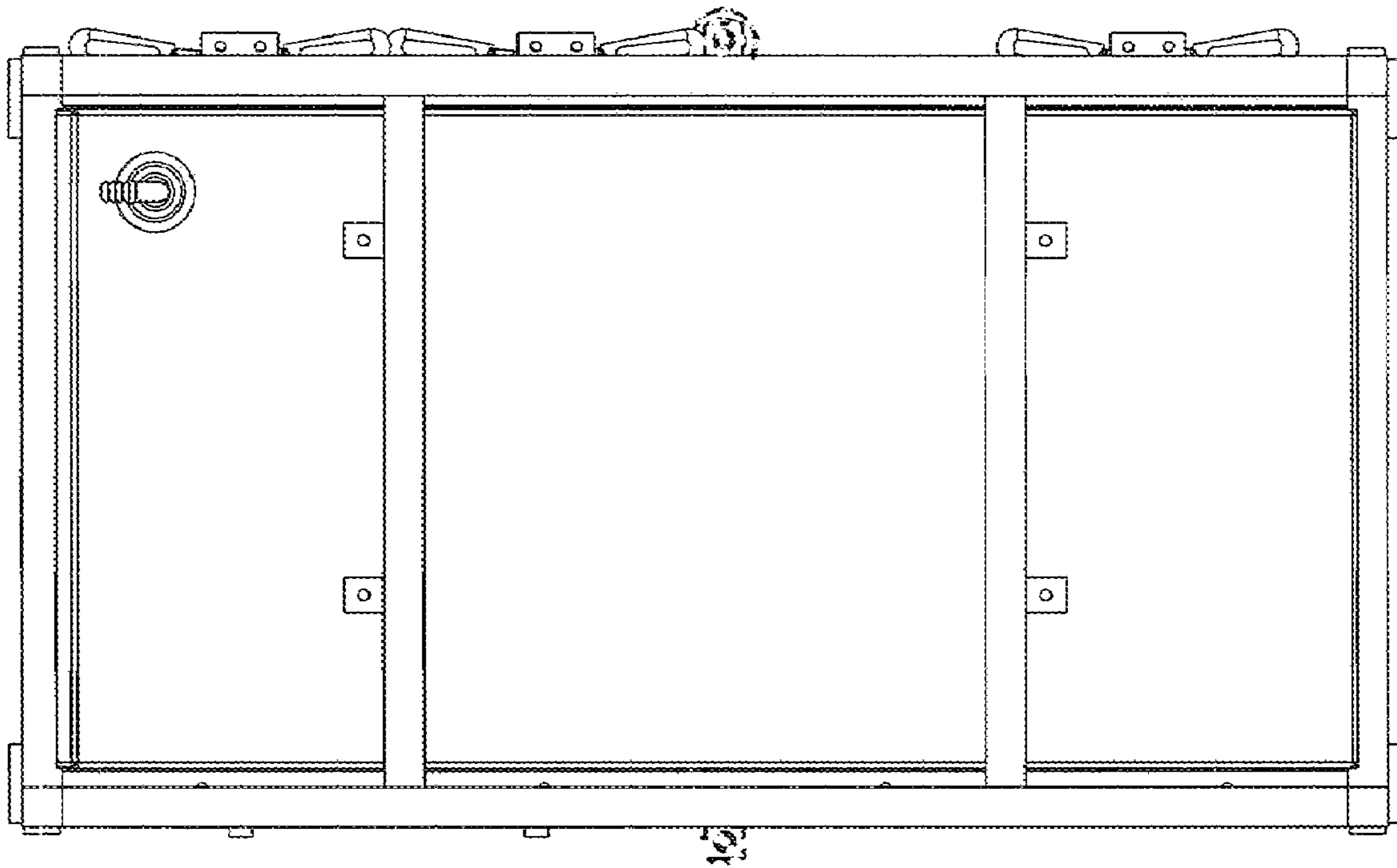


Figure 7

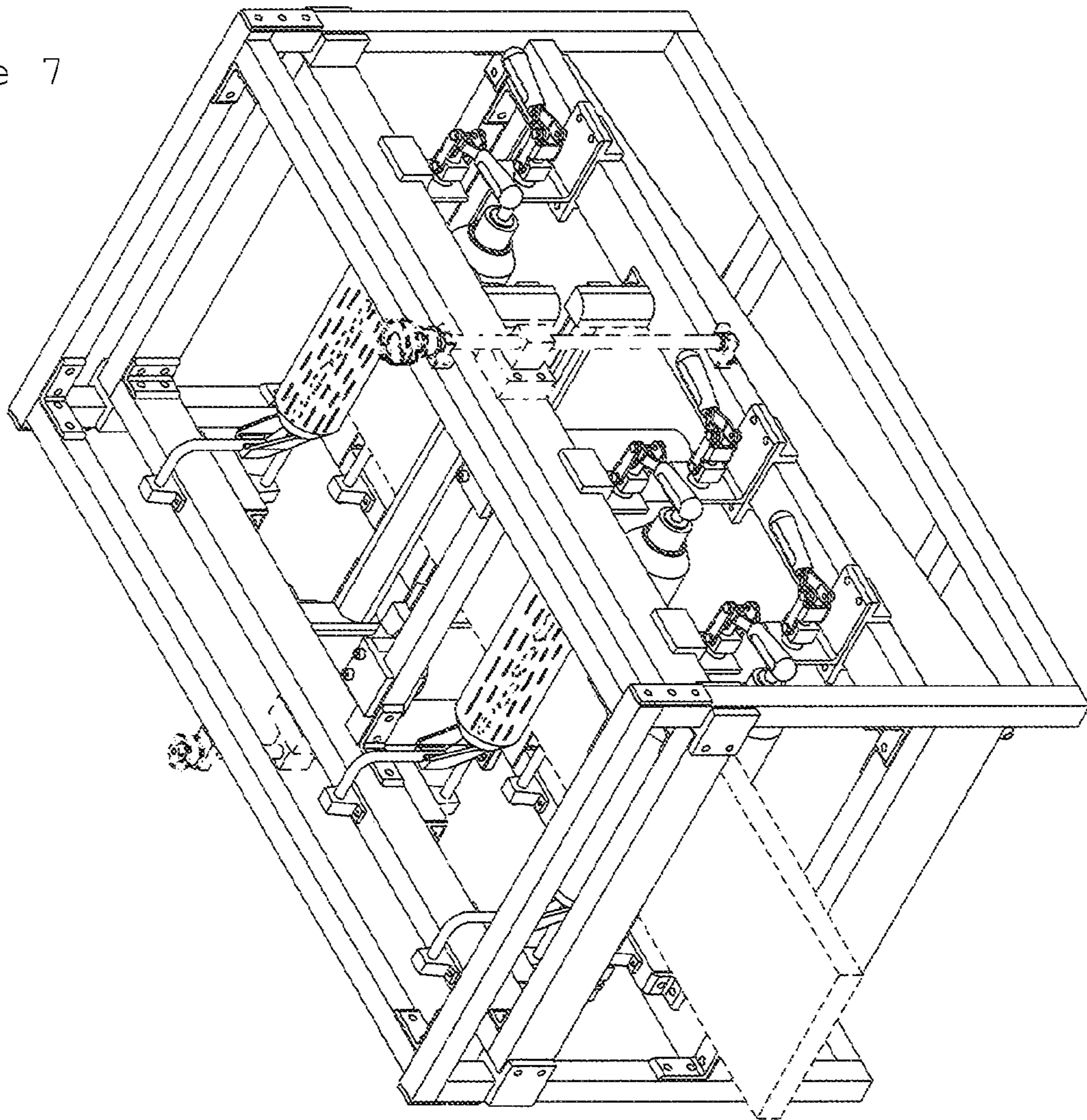


Figure 8

