



US00D601591S

(12) **United States Design Patent**
Chu

(10) **Patent No.:** **US D601,591 S**
(45) **Date of Patent:** **** Oct. 6, 2009**

(54) **AIR COMPRESSOR**

(75) Inventor: **Sammy Chu**, Irvine, CA (US)

(73) Assignee: **VIAIR Corporation**, Irvine, CA (US)

(**) Term: **14 Years**

(21) Appl. No.: **29/317,406**

(22) Filed: **Apr. 29, 2008**

(51) **LOC (9) Cl.** **15-02**

(52) **U.S. Cl.** **D15/9**

(58) **Field of Classification Search** D15/7-9;
D23/231, 232, 225; 417/410.1, 359, 415-416,
417/234, 321, 265, 405

See application file for complete search history.

(56) **References Cited**

U.S. PATENT DOCUMENTS

D486,835 S *	2/2004	Hsiao	D15/9
D499,745 S *	12/2004	Hsiao	D15/9
D507,278 S *	7/2005	Moser, III	D15/9
D508,922 S *	8/2005	Li et al.	D15/9
D520,025 S *	5/2006	Chu	D15/9

D538,300 S *	3/2007	Moser	D15/9
D549,735 S *	8/2007	Moser, III et al.	D15/9
D549,736 S *	8/2007	Moser, III et al.	D15/9

* cited by examiner

Primary Examiner—R. Seifert

(74) *Attorney, Agent, or Firm*—J.C. Patents

(57) **CLAIM**

The ornamental design for an air compressor, as shown and described.

DESCRIPTION

FIG. 1 is a top perspective view of an air compressor showing the new design.

FIG. 2 is a front view thereof.

FIG. 3 is a right side view thereof.

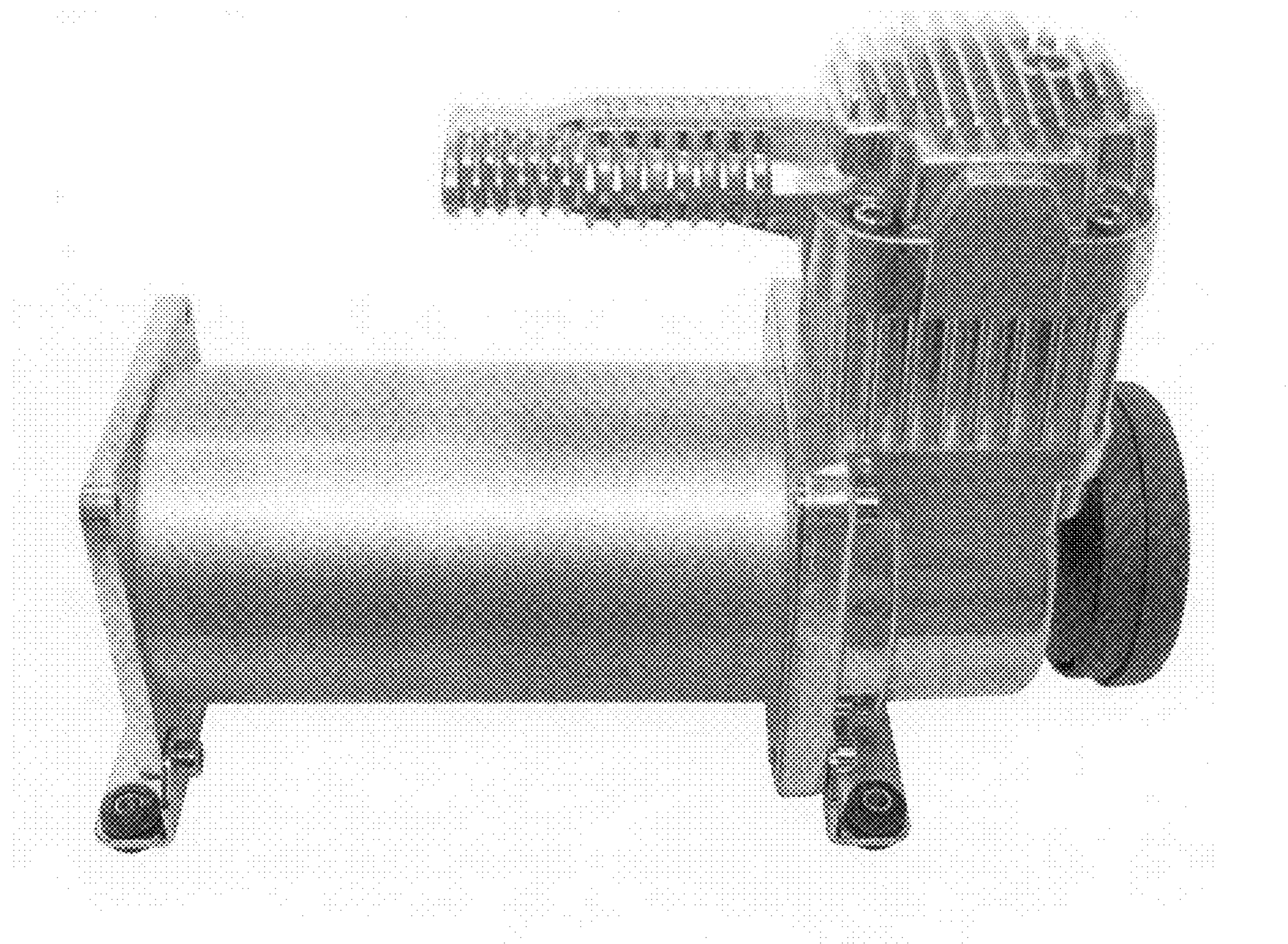
FIG. 4 is a left side view thereof.

FIG. 5 is a rear view thereof.

FIG. 6 is a top view thereof; and,

FIG. 7 is a bottom perspective view thereof.

1 Claim, 7 Drawing Sheets



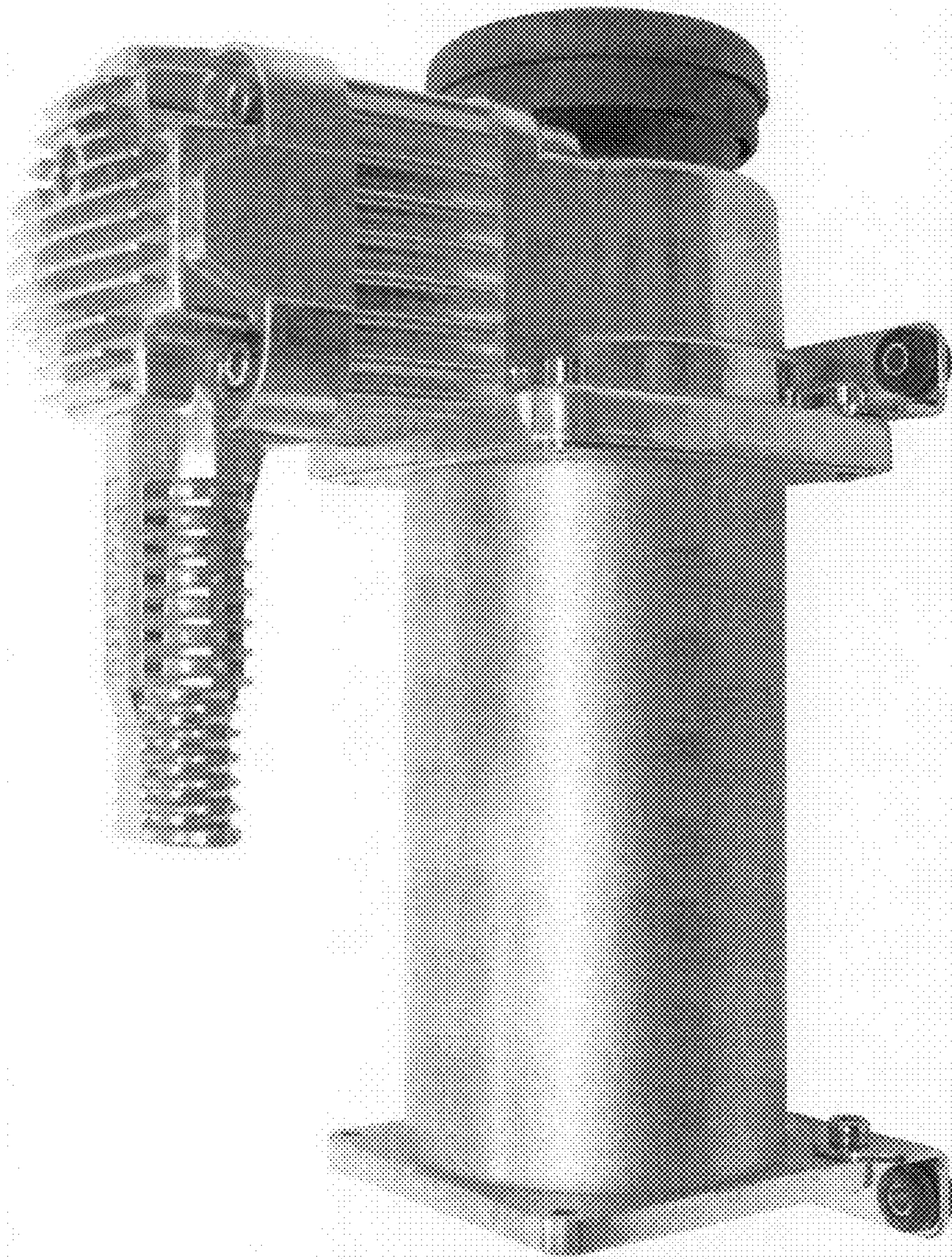


FIG. 1

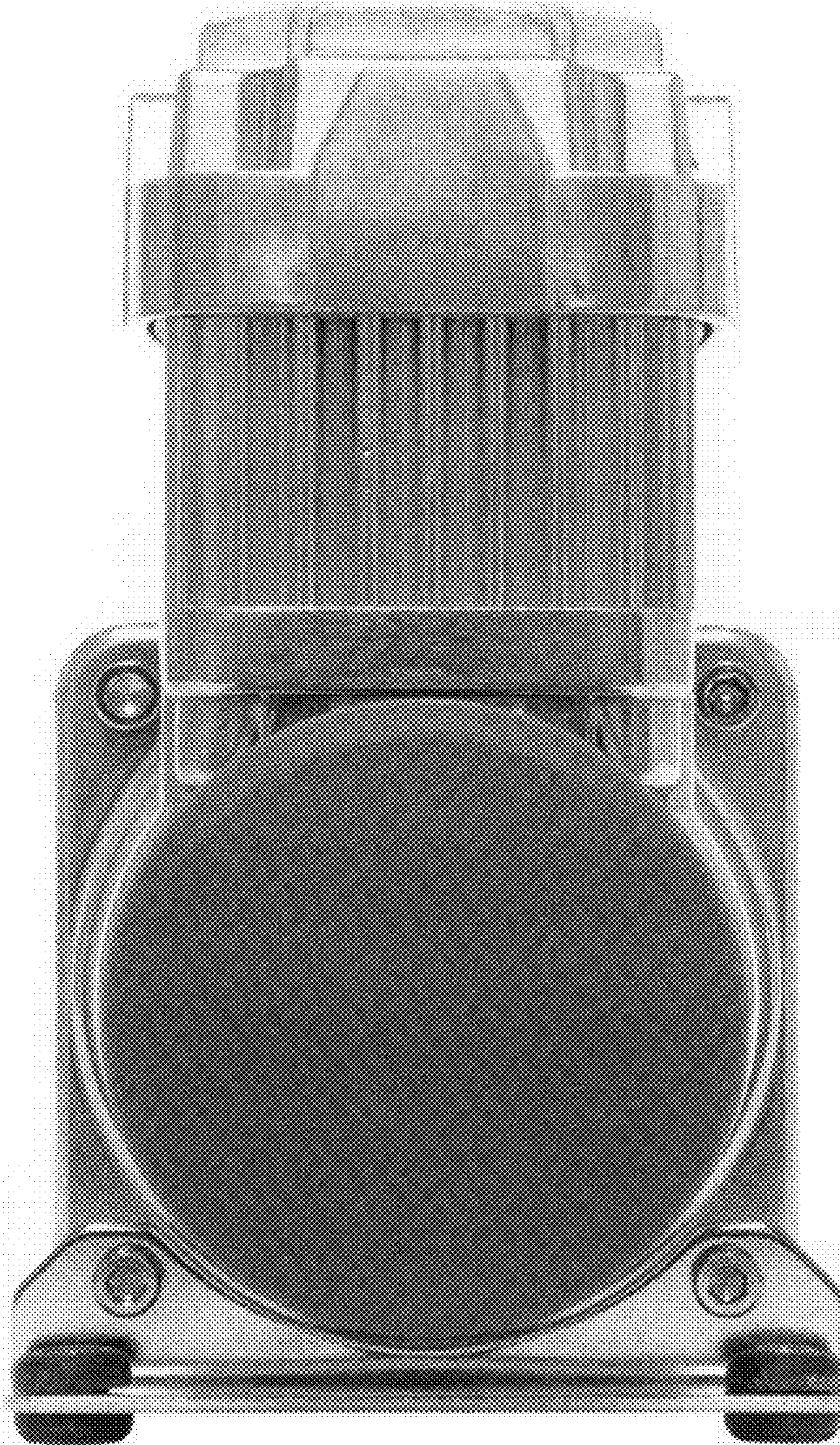


FIG. 2

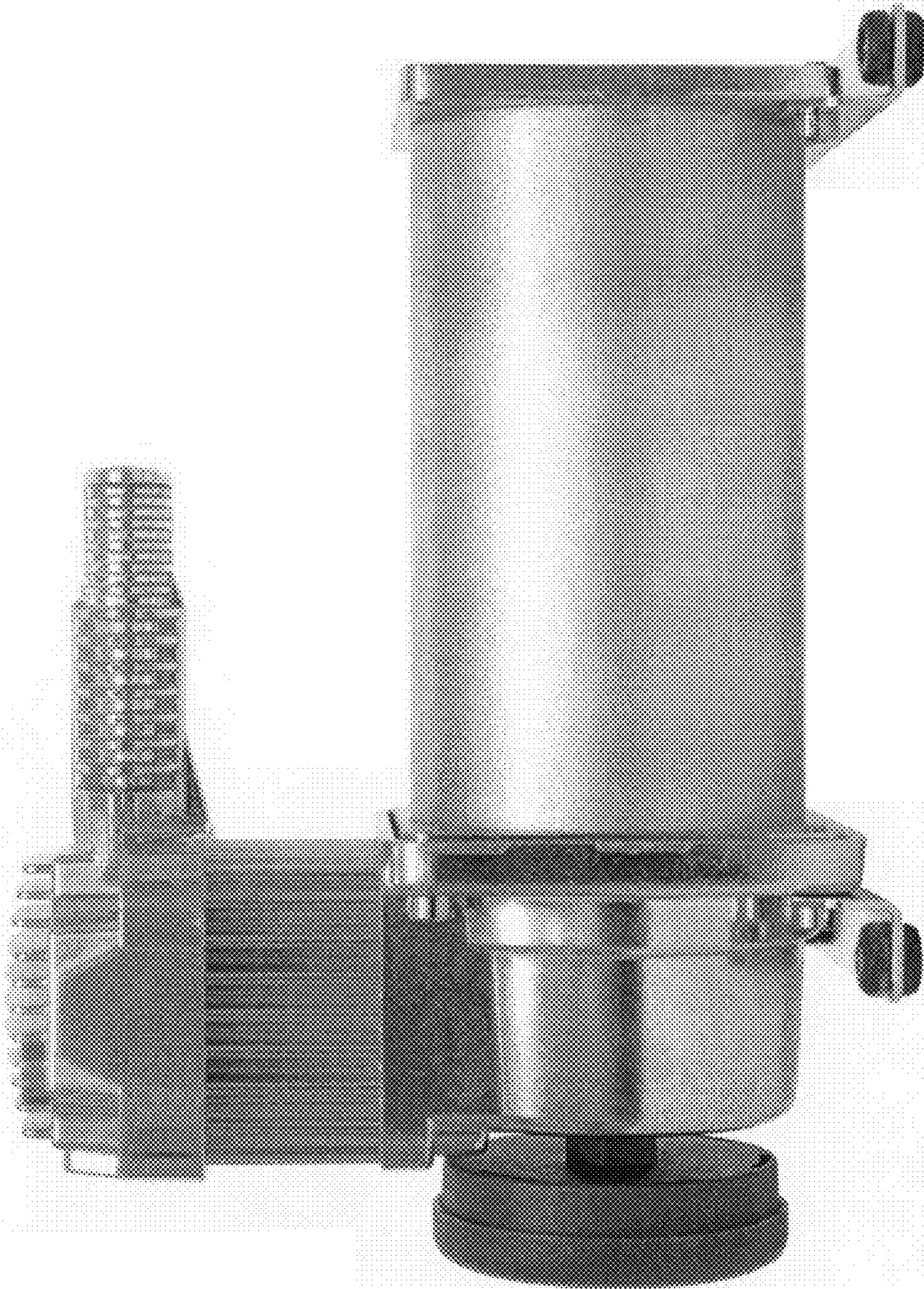


FIG. 3

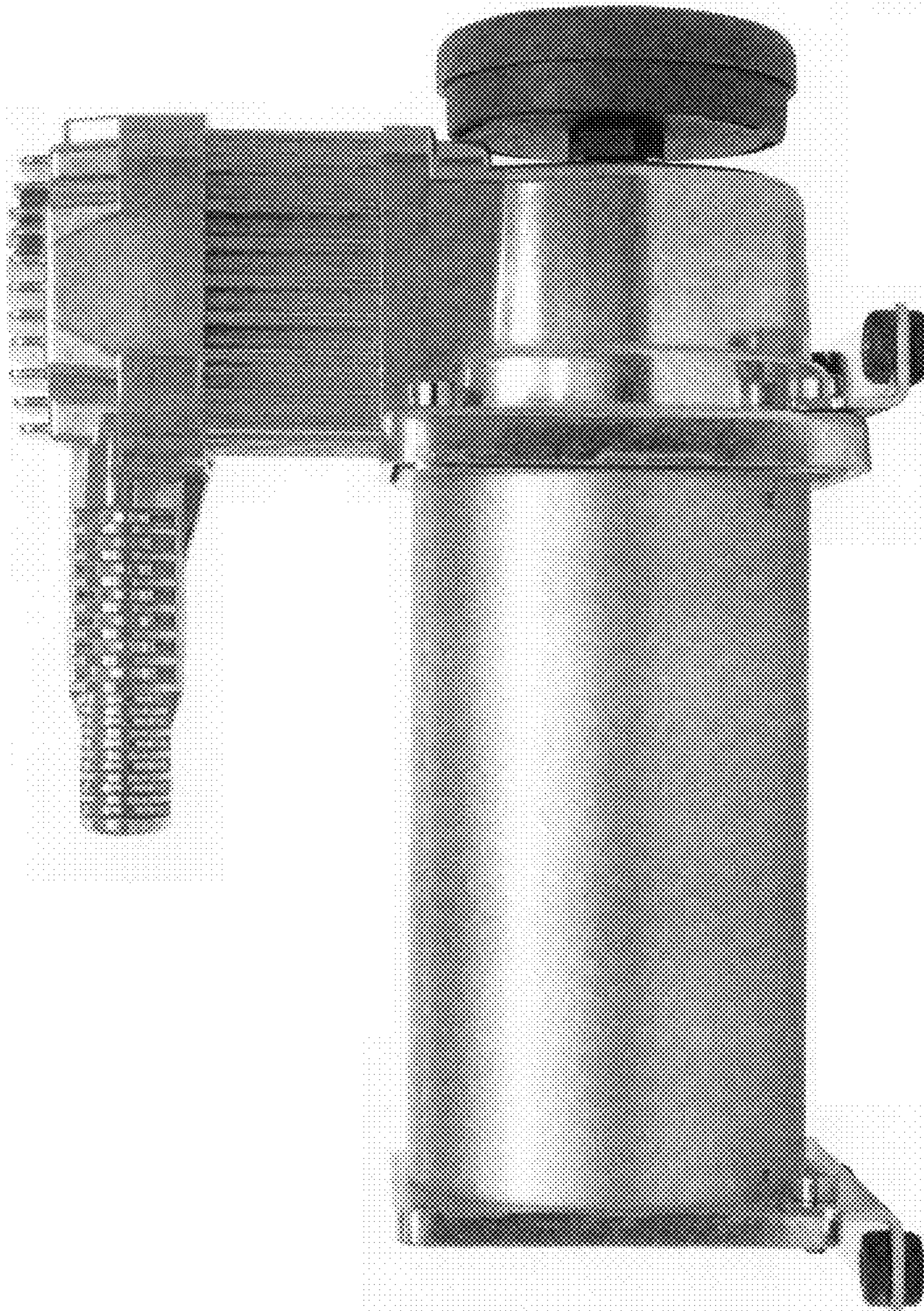


FIG. 4

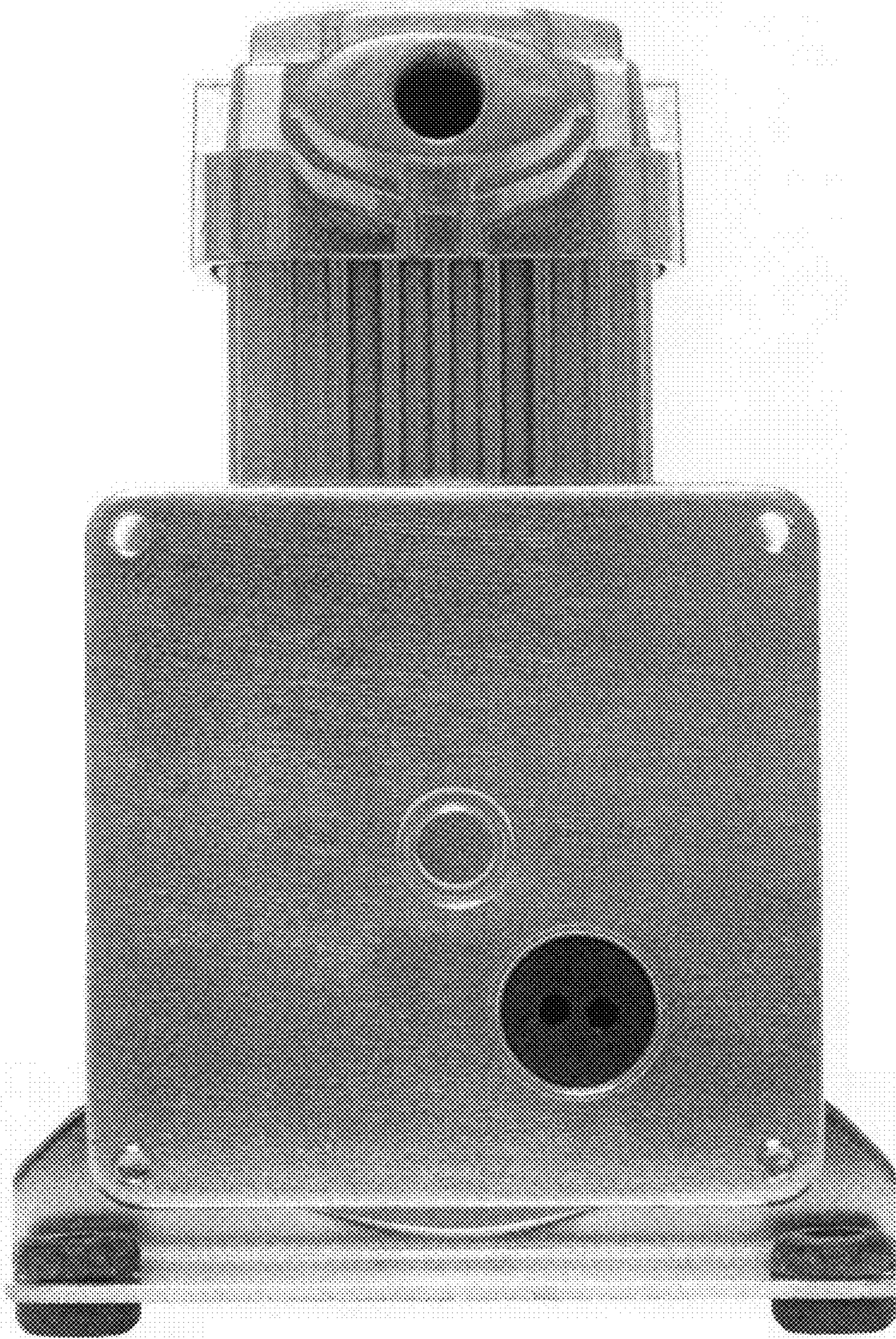


FIG. 5

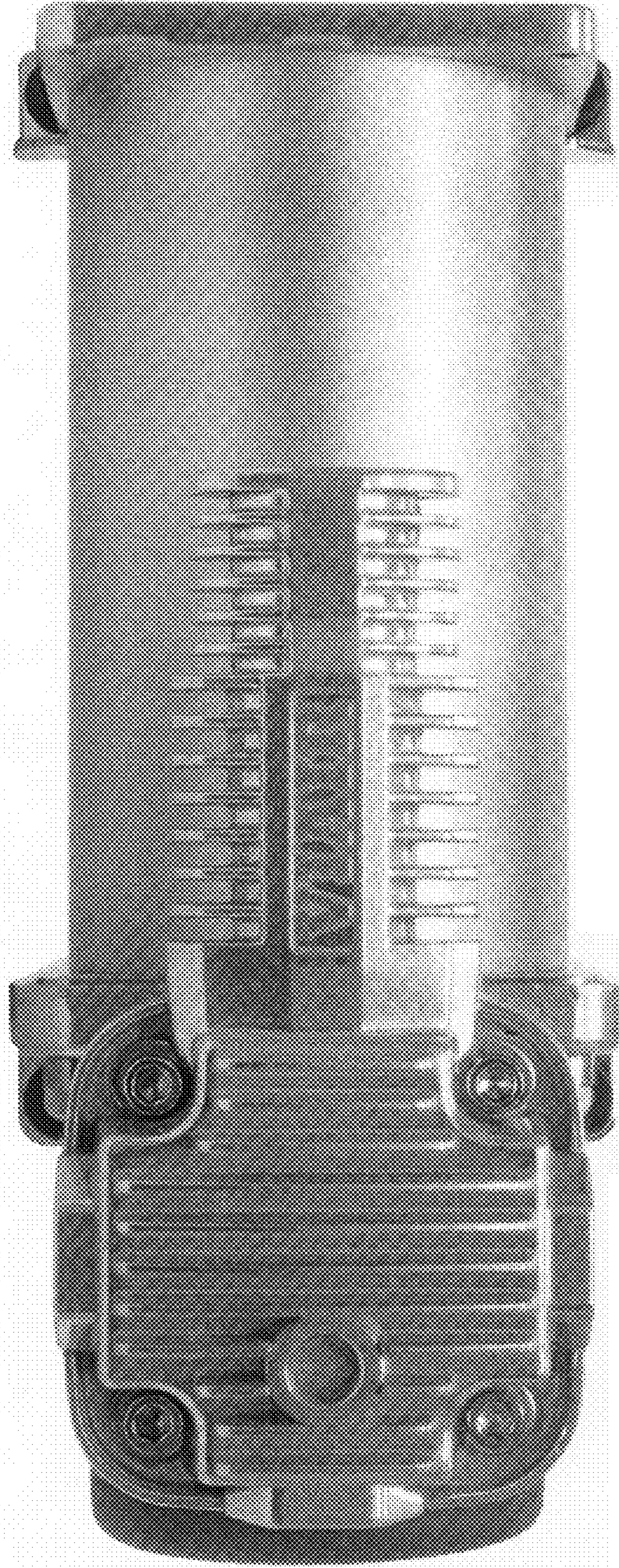


FIG. 6

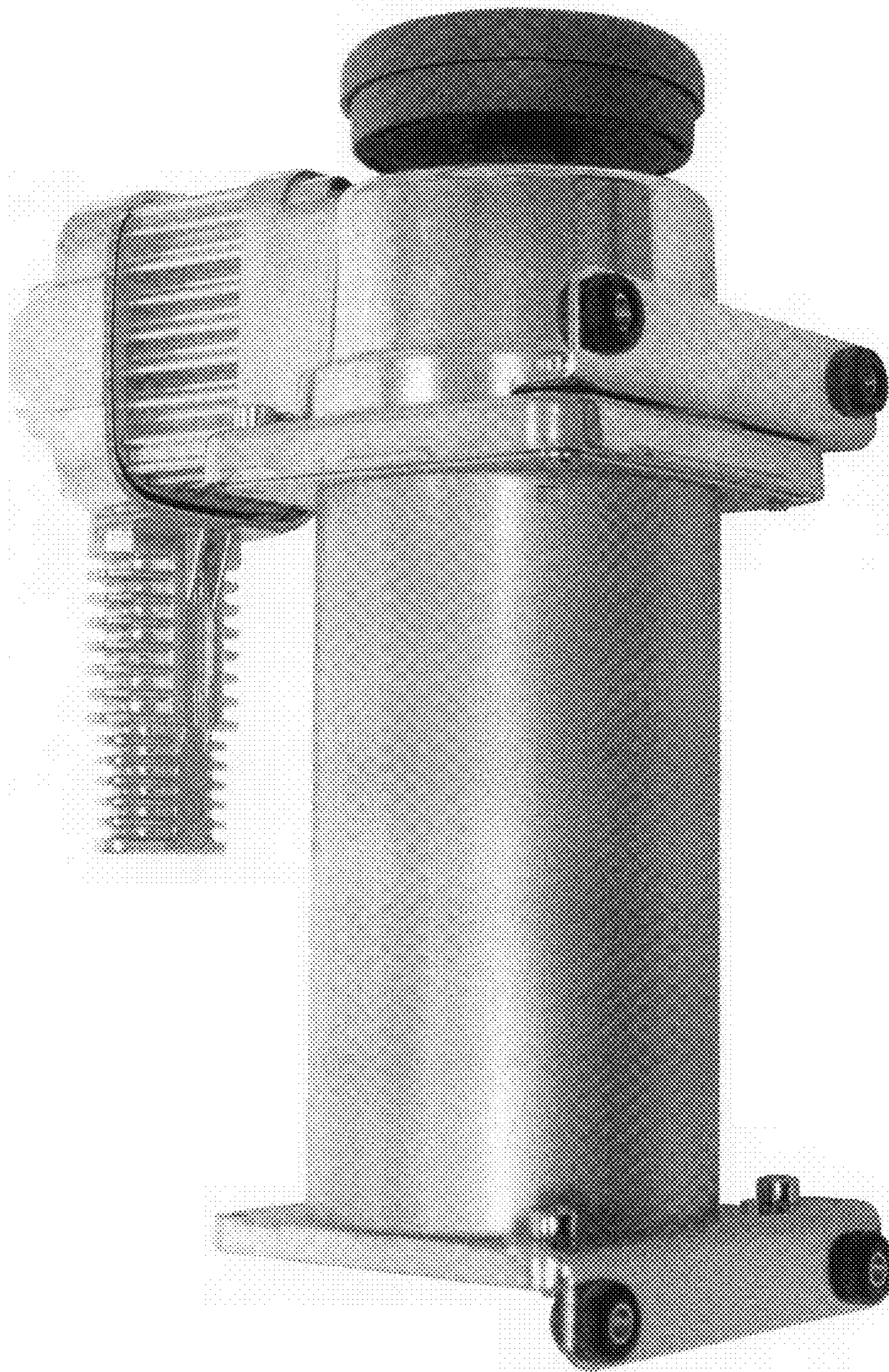


FIG. 7