



US00D601590S

(12) **United States Design Patent**  
**Burnham**

(10) **Patent No.:** **US D601,590 S**

(45) **Date of Patent:** **\*\* Oct. 6, 2009**

(54) **BILGE PUMP**

(57) **CLAIM**

(75) Inventor: **Richard T. Burnham**, Gloucester, MA  
(US)

I claim the ornamental design of a bilge pump, as shown and described herein.

(73) Assignee: **ITT Manufacturing Enterprises, Inc.**,  
Wilmington, DE (US)

**DESCRIPTION**

(\*\*) Term: **14 Years**

FIG. 1 is a perspective view of a bilge pump showing the present invention;

(21) Appl. No.: **29/312,837**

FIG. 2 is a front view of the bilge pump in FIG. 1 showing the present invention;

(22) Filed: **Nov. 14, 2008**

FIG. 3 is a back view of the bilge pump in FIG. 1 showing the present invention;

(51) **LOC (9) Cl.** ..... **15-02**

(52) **U.S. Cl.** ..... **D15/7**

(58) **Field of Classification Search** ..... D15/7-9;  
D23/231, 232, 225; 417/410.1, 359, 415-416,  
417/234, 321, 265, 405

FIG. 4 is a side view of the bilge pump in FIG. 1 showing one side of the present invention;

See application file for complete search history.

FIG. 5 is a side view of the bilge pump in FIG. 1 showing the other side of the present invention;

(56) **References Cited**

**U.S. PATENT DOCUMENTS**

D327,274 S \* 6/1992 Matre et al. .... D15/7  
D445,804 S \* 7/2001 Tsai ..... D15/7

FIG. 6 is a top view of the bilge pump in FIG. 1 showing the present invention; and,

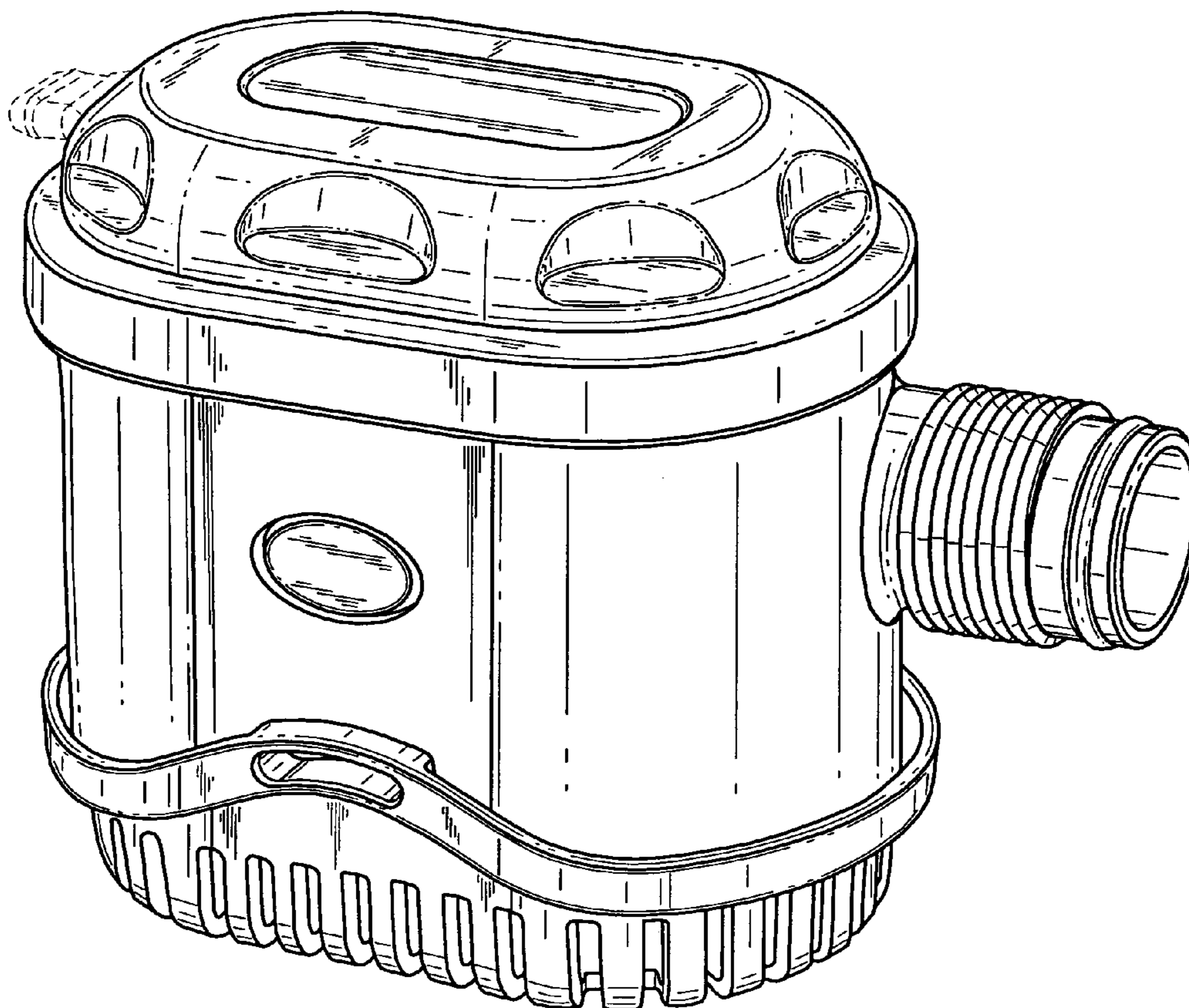
FIG. 7 is a bottom view of the bilge pump in FIG. 1 showing the present invention.

\* cited by examiner

The broken line showing of the bilge pump in FIGS. 1-4 and 6-7 is for the purpose of illustrating environmental structure and forms no part of the claimed design.

*Primary Examiner*—R. Seifert

**1 Claim, 5 Drawing Sheets**



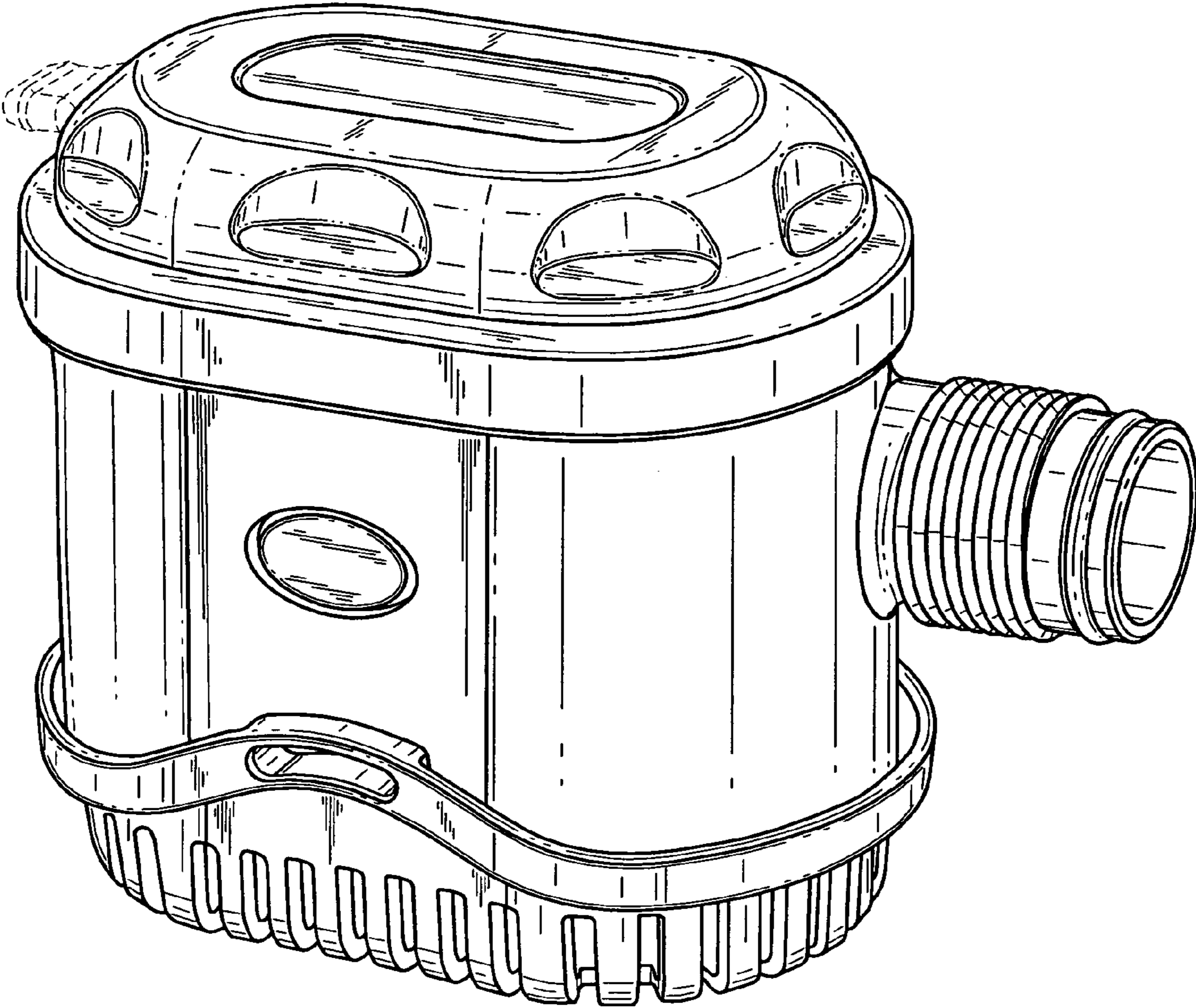


FIG. 1

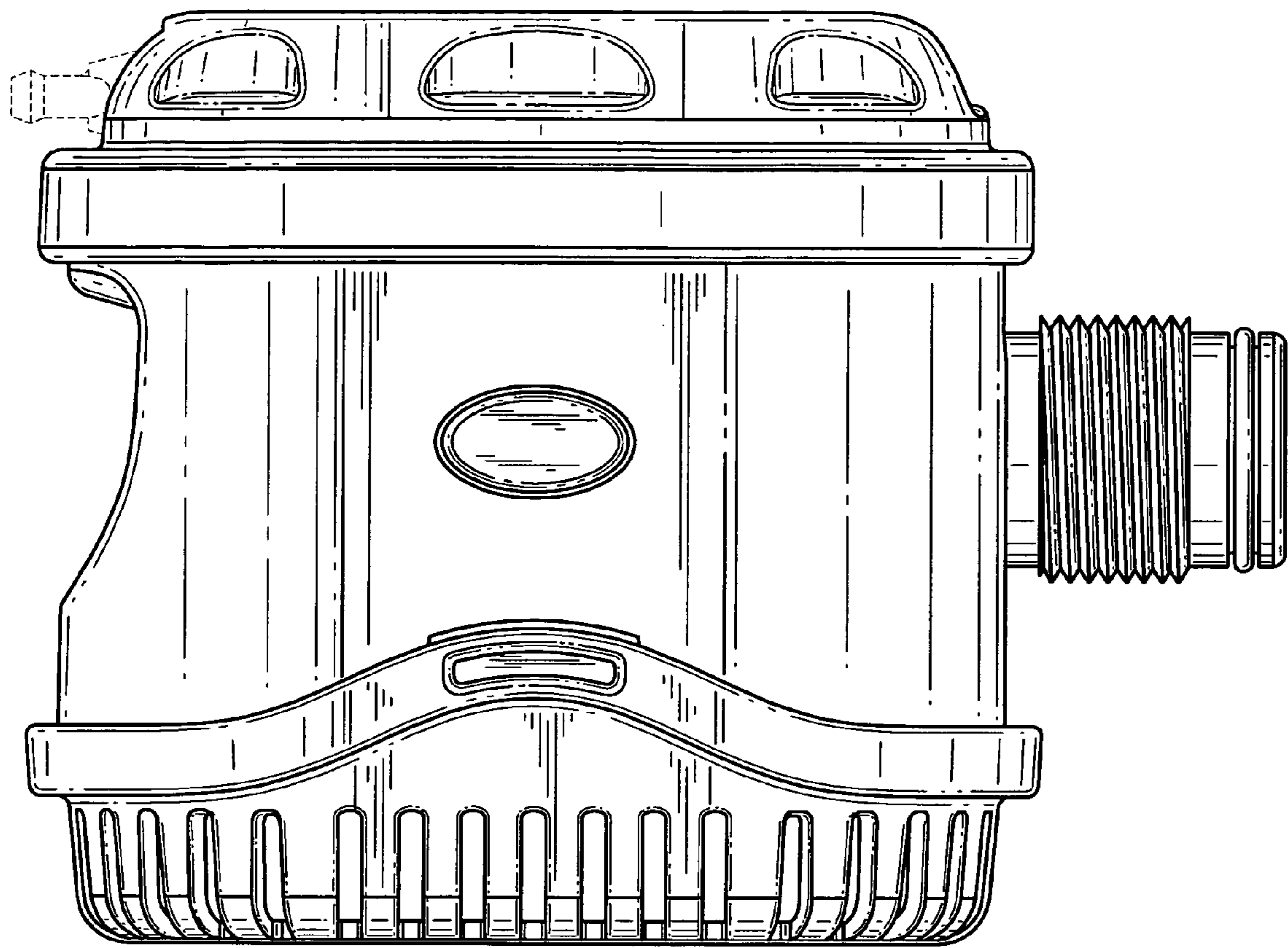


FIG. 2

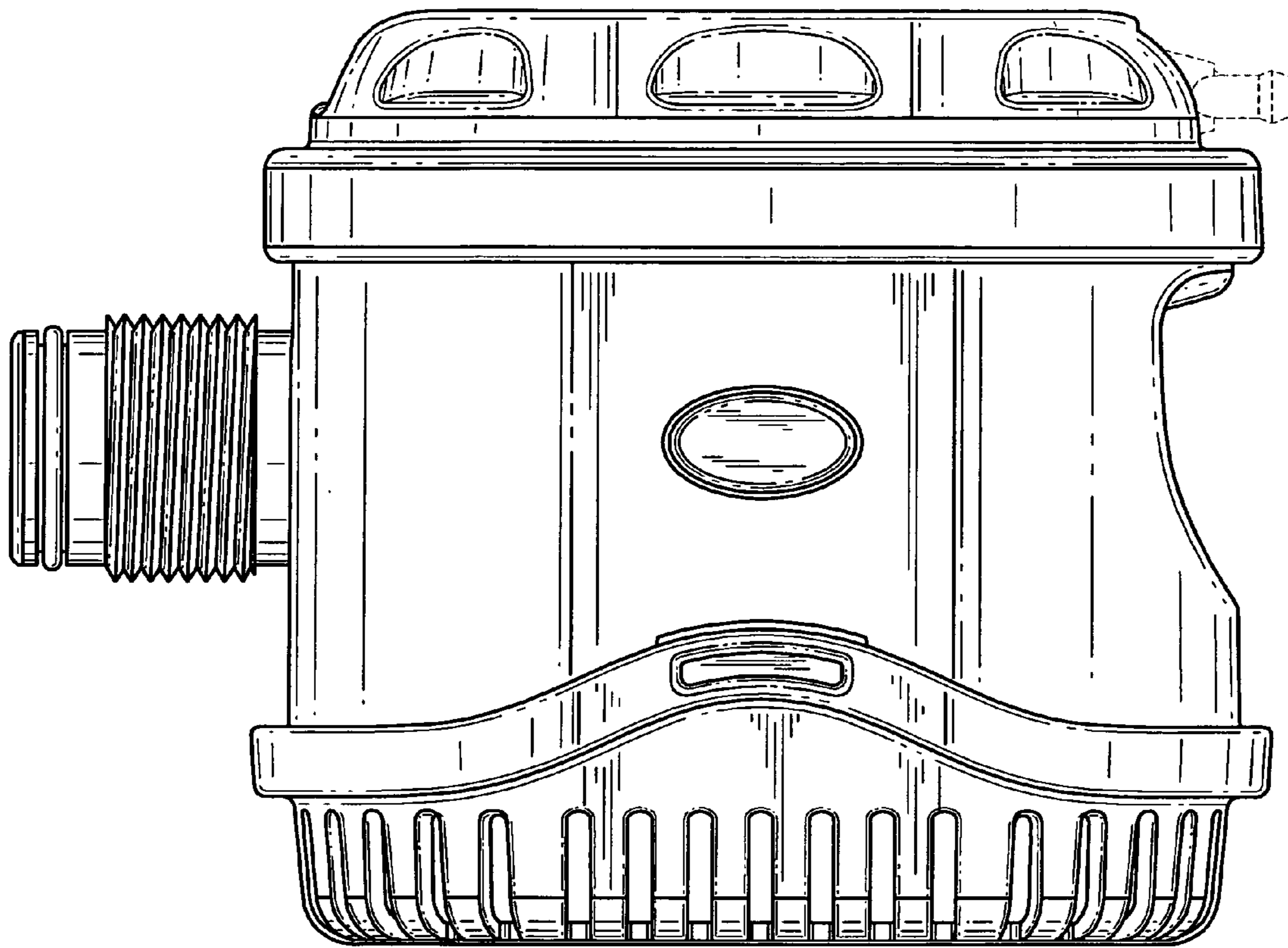


FIG. 3



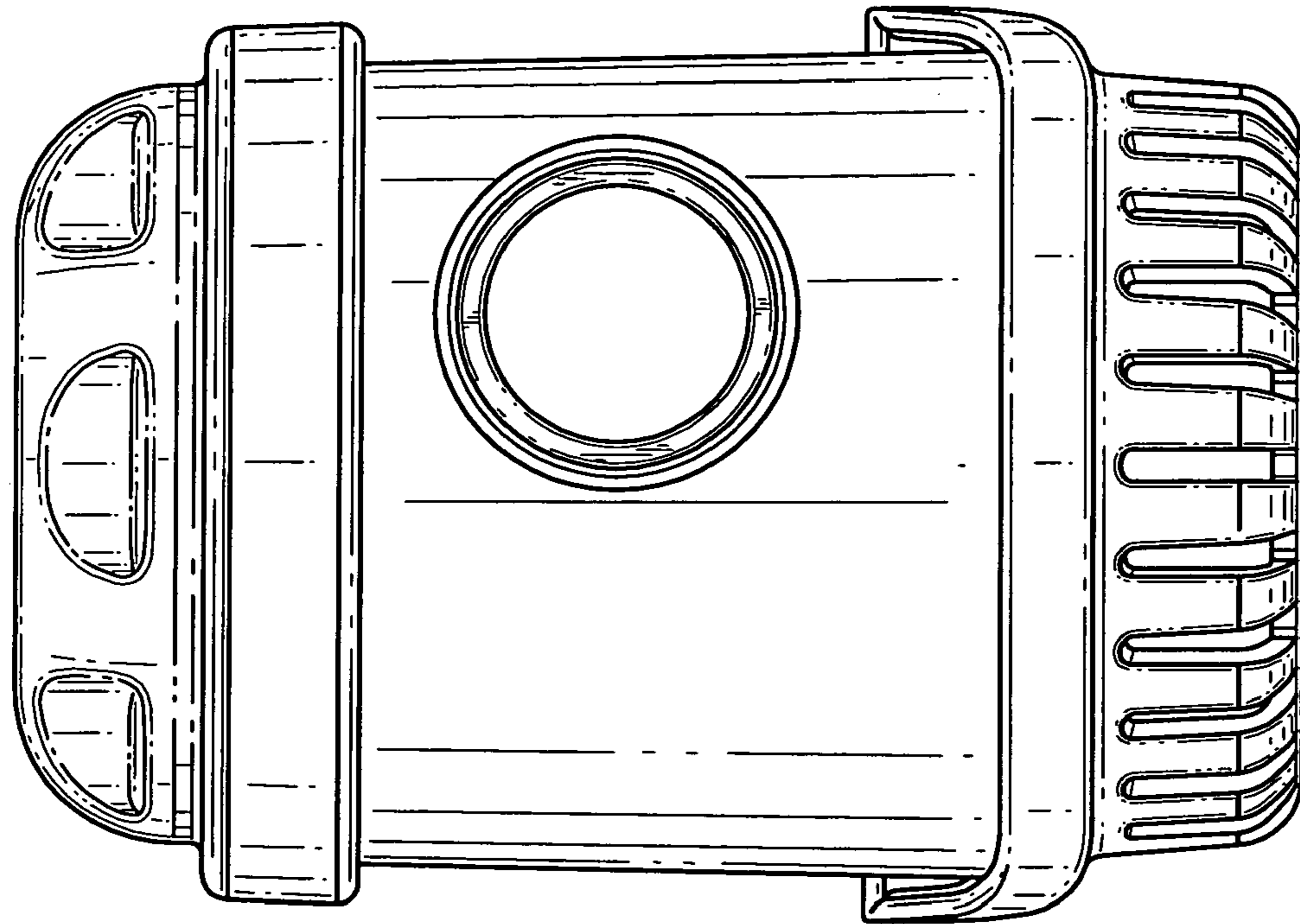


FIG. 5

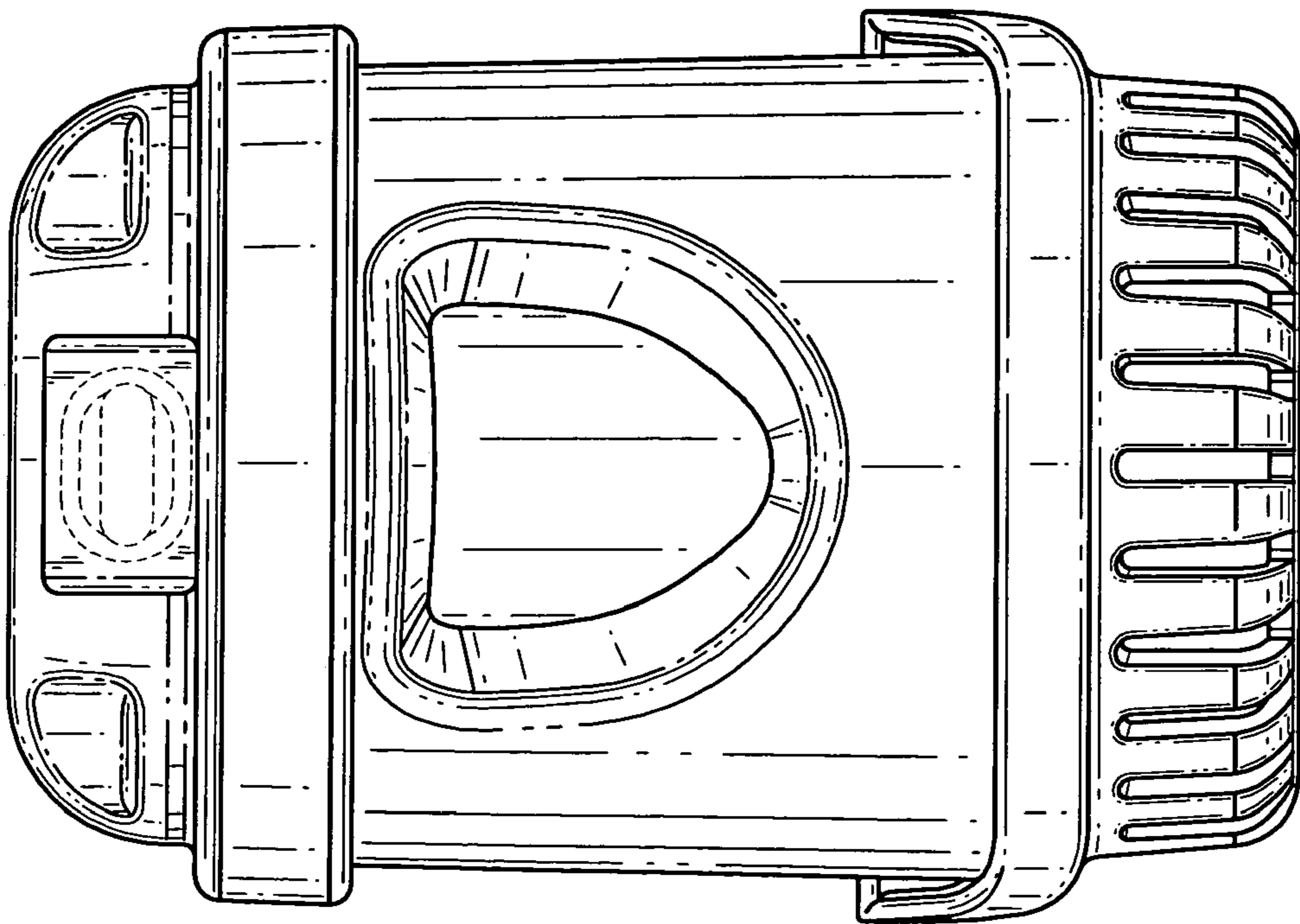


FIG. 4

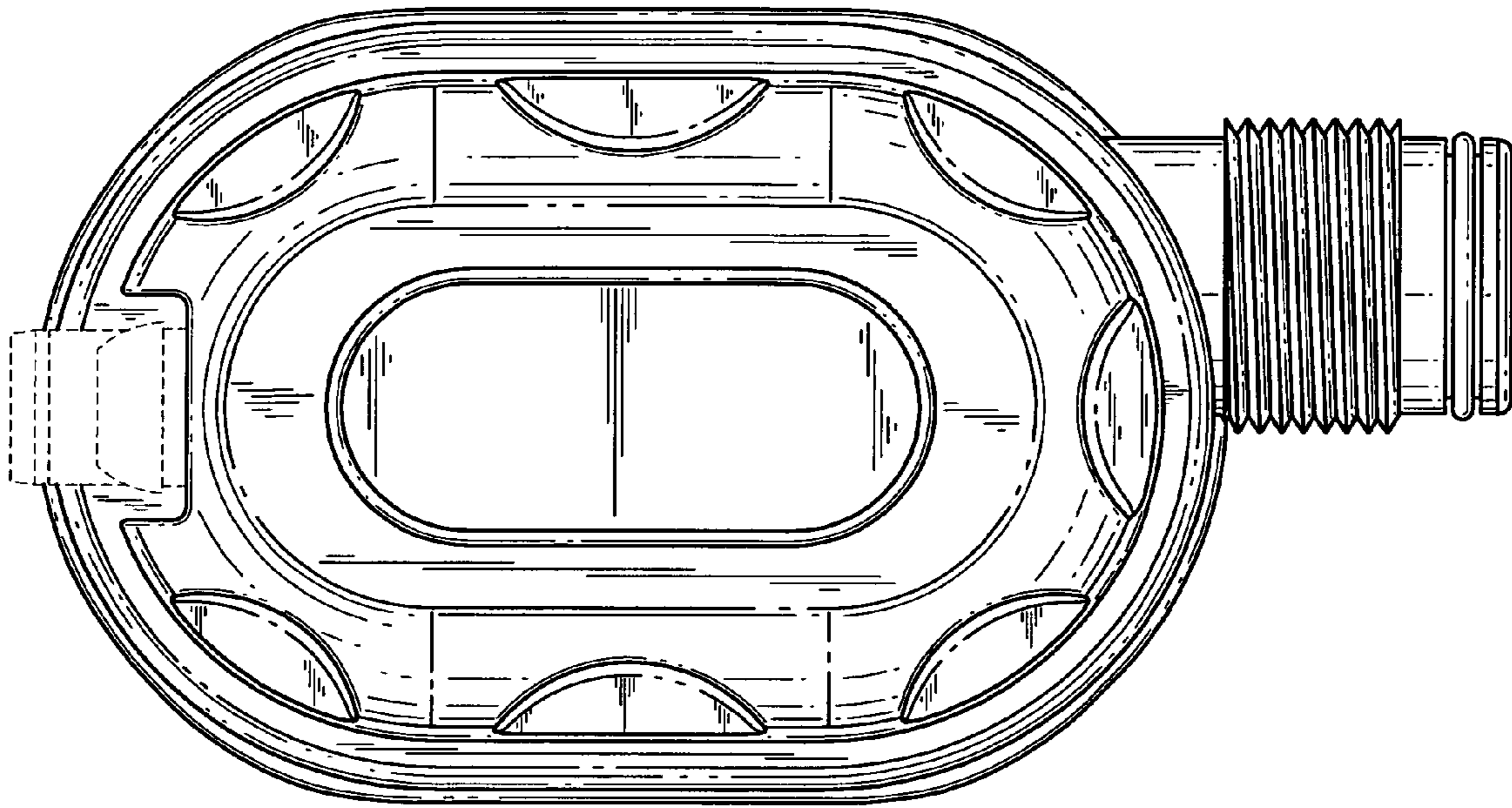


FIG. 6

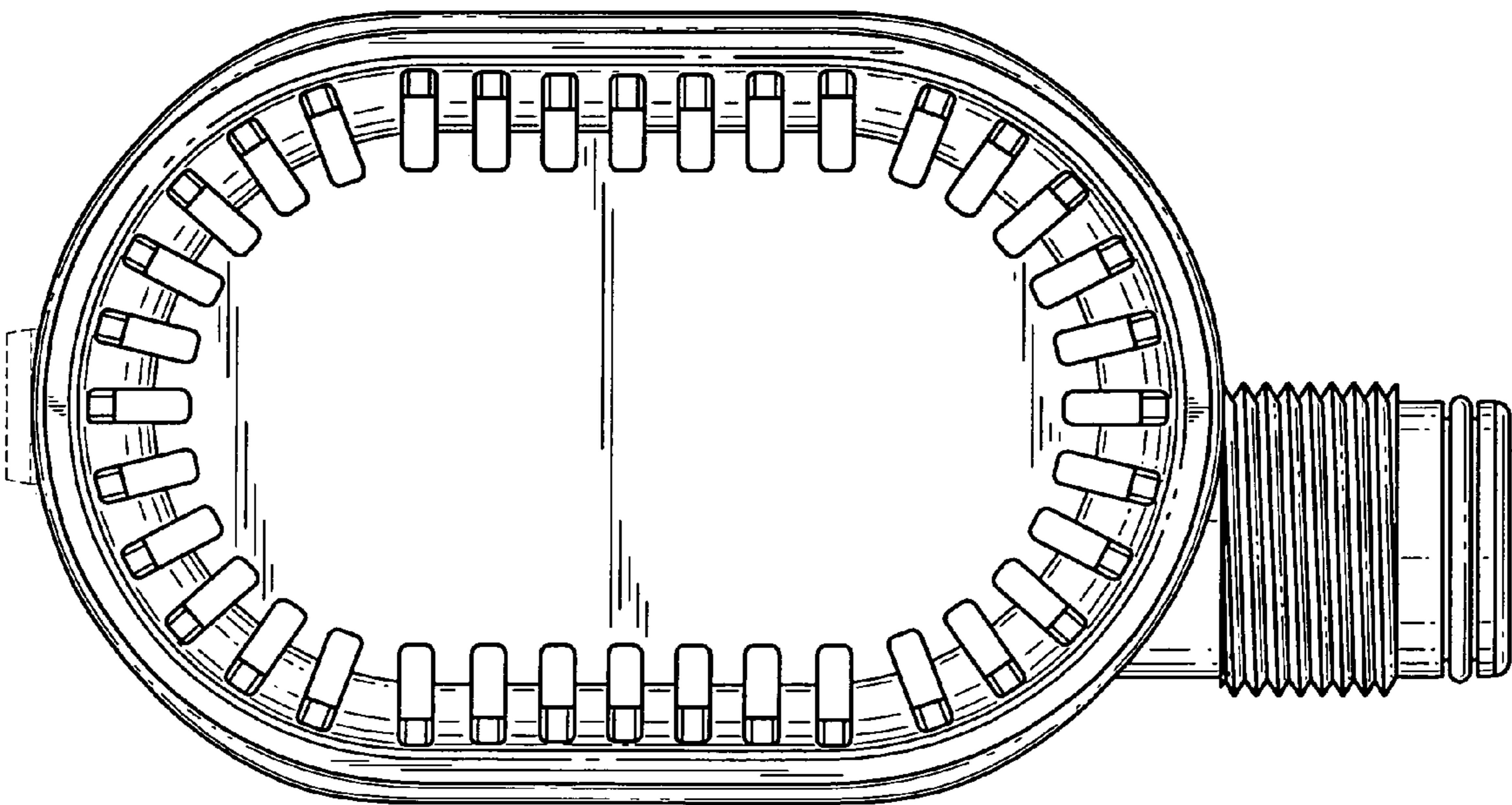


FIG. 7