



US00D601589S

(12) **United States Design Patent**
Carlson

(10) **Patent No.:** **US D601,589 S**
(45) **Date of Patent:** **** Oct. 6, 2009**

(54) **COMBINED CYLINDER AND CYLINDER HEAD FOR A MOTORCYCLE**

7,246,610 B2 * 7/2007 Sjovall et al. 123/572

* cited by examiner

(76) Inventor: **Timothy David Carlson**, 3171 73rd St.,
Atkins, IA (US) 52206

Primary Examiner—Robin V Webster

Assistant Examiner—Linda Brooks

(74) *Attorney, Agent, or Firm*—Wenzel & Harms, P.C.; Allan L. Harms

(**) Term: **14 Years**

(21) Appl. No.: **29/330,225**

(57) **CLAIM**

(22) Filed: **Dec. 31, 2008**

I claim the ornamental design for a combined cylinder and cylinder head for a motorcycle, as shown and described.

(51) **LOC (9) Cl.** **15-01**

(52) **U.S. Cl.** **D15/5; D12/114**

(58) **Field of Classification Search** D15/1-5;
D12/110, 114, 126; 123/41.56, 41.69, 41.86,
123/54.1, 54.4, 55.1, 90.61, 196 AS, 196 R,
123/197.3, 572-574, 52.1-52.6, 193.1-193.6;
184/6.5-6.9; 180/219

See application file for complete search history.

DESCRIPTION

FIG. 1 is perspective view of a combined cylinder and cylinder head for a motorcycle showing my new design;

FIG. 2 is a front elevation thereof;

FIG. 3 is a rear elevation thereof;

FIG. 4 is a right side view thereof;

FIG. 5 is a left side view thereof;

FIG. 6 is a top view thereof; and,

FIG. 7 is a bottom view thereof.

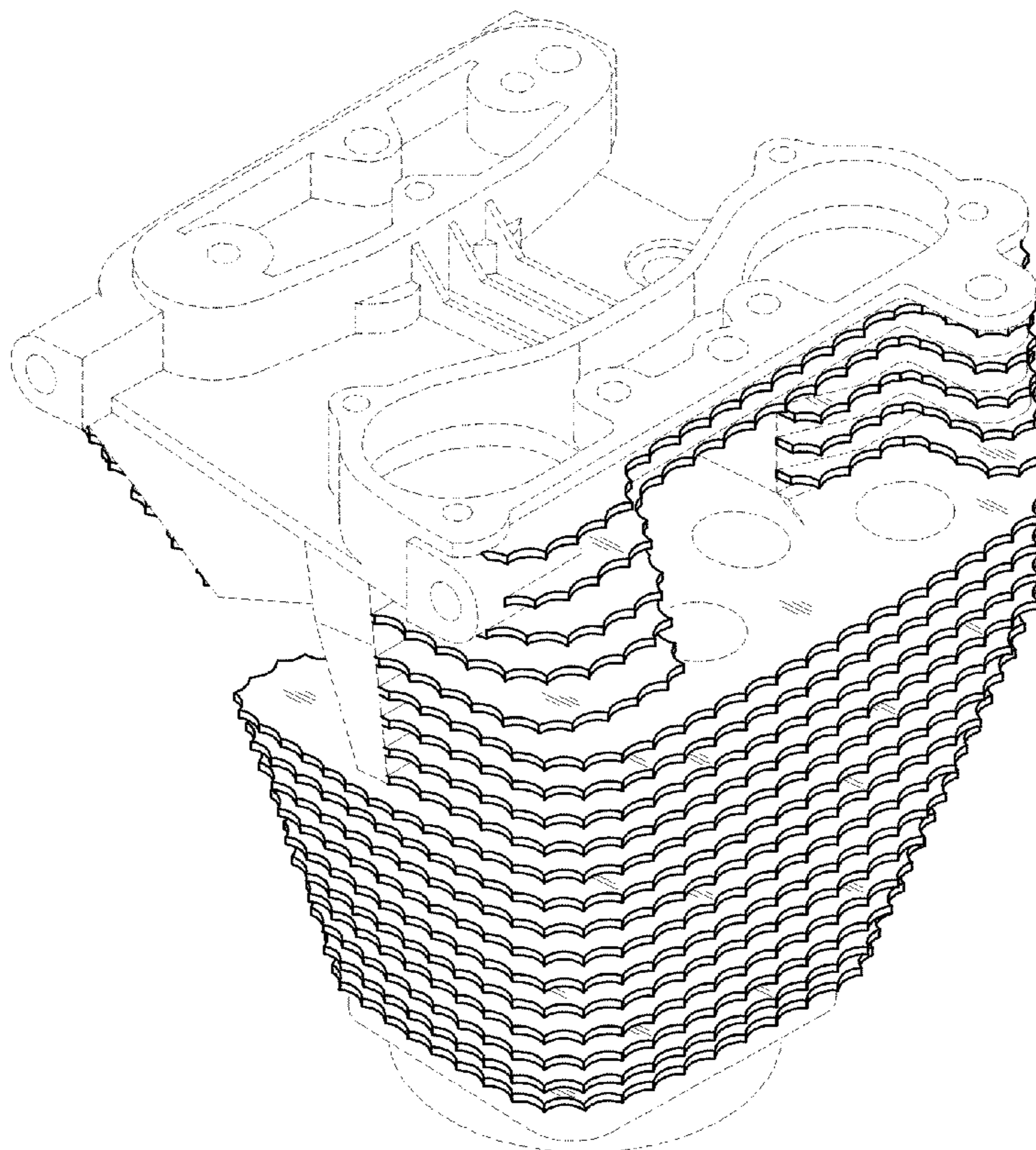
Portions of the drawings shown in broken lines form no part of the claimed design.

(56) **References Cited**

U.S. PATENT DOCUMENTS

D463,451 S	*	9/2002	Wangen	D15/5
D463,801 S	*	10/2002	Kinsey et al.	D15/5
D467,940 S	*	12/2002	Kinsey et al.	D15/5
D499,742 S	*	12/2004	Brinton	D15/5
D522,022 S	*	5/2006	Carlin et al.	D15/5

1 Claim, 7 Drawing Sheets



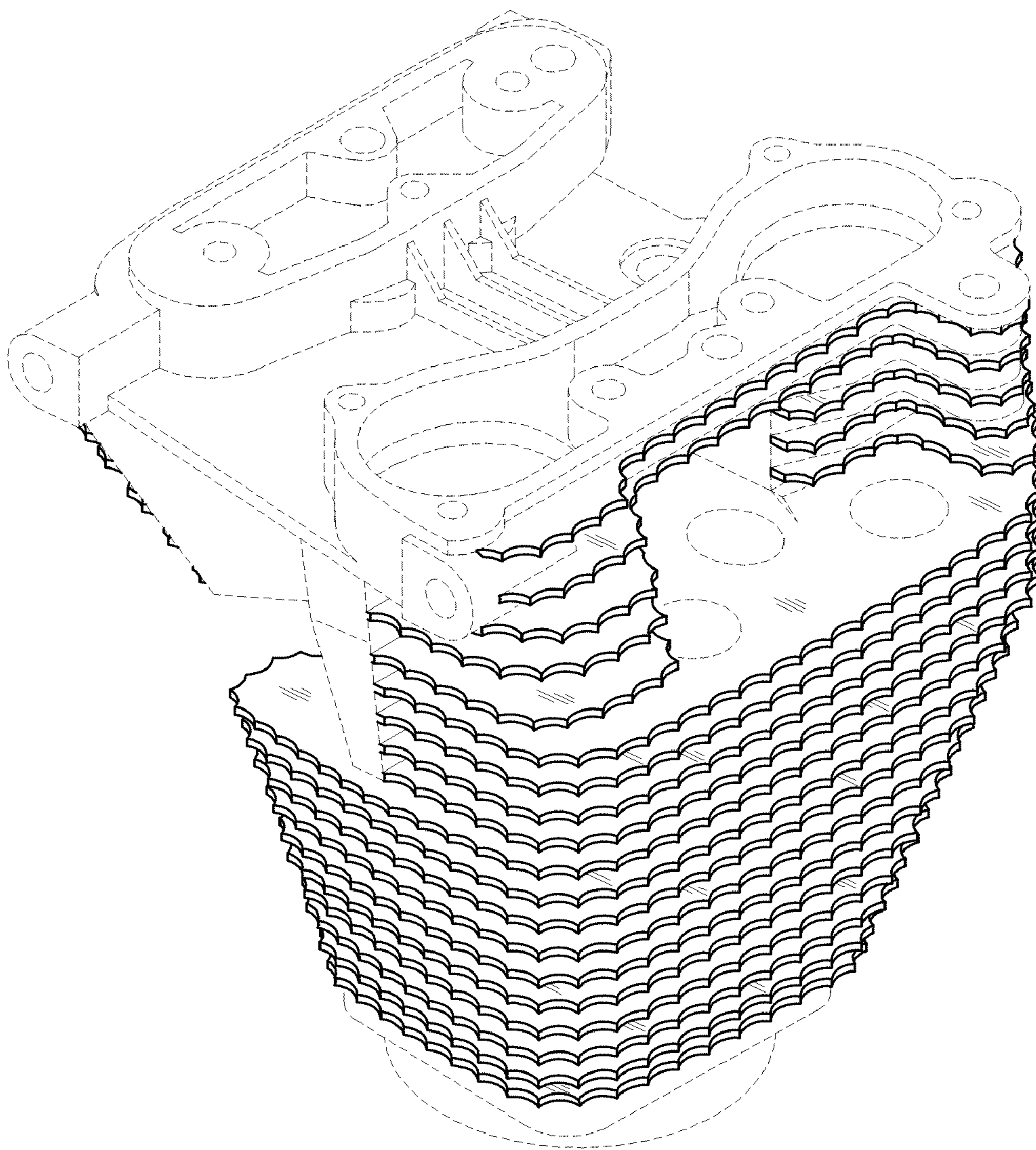


FIG. 1

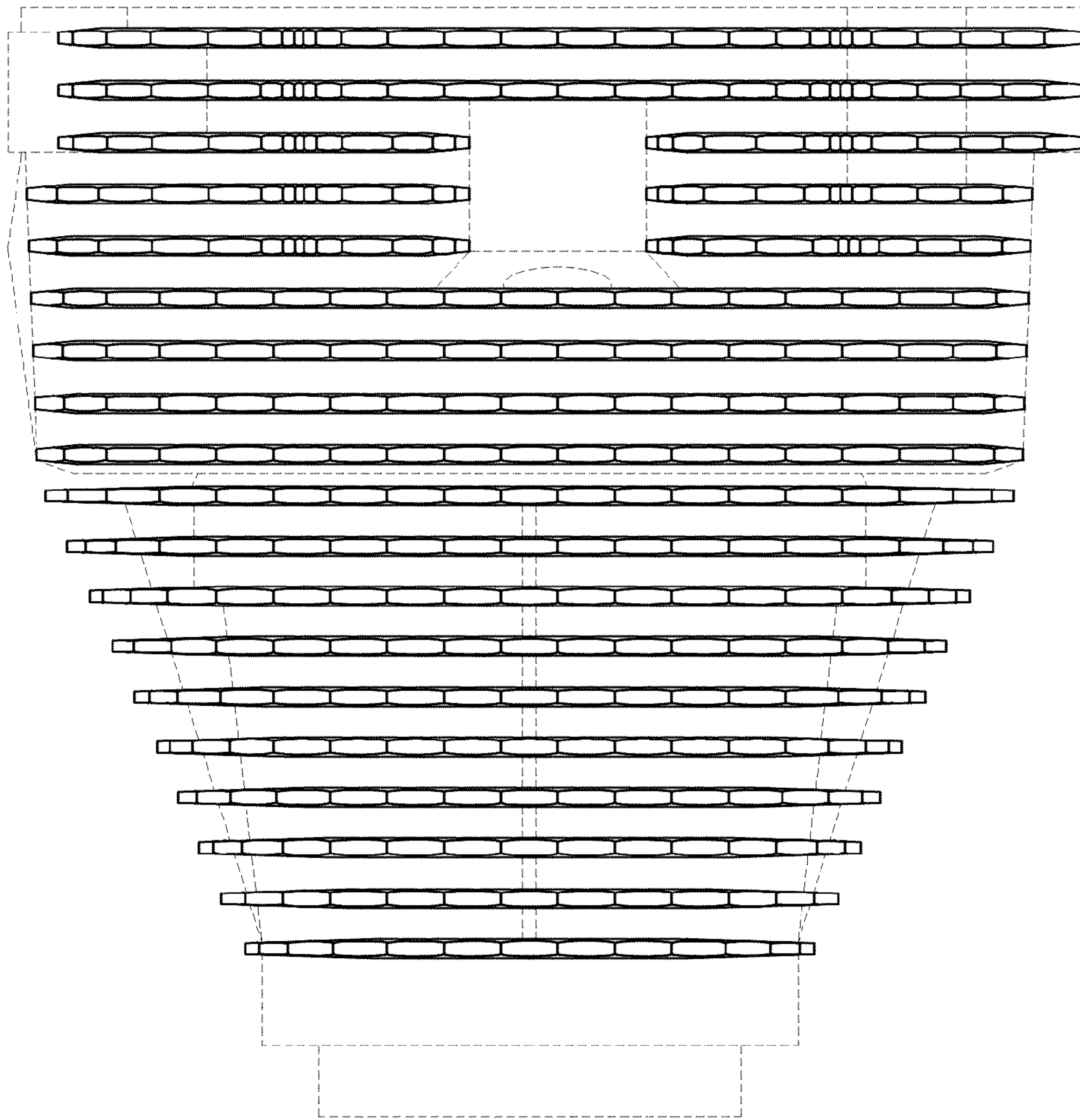


FIG. 2

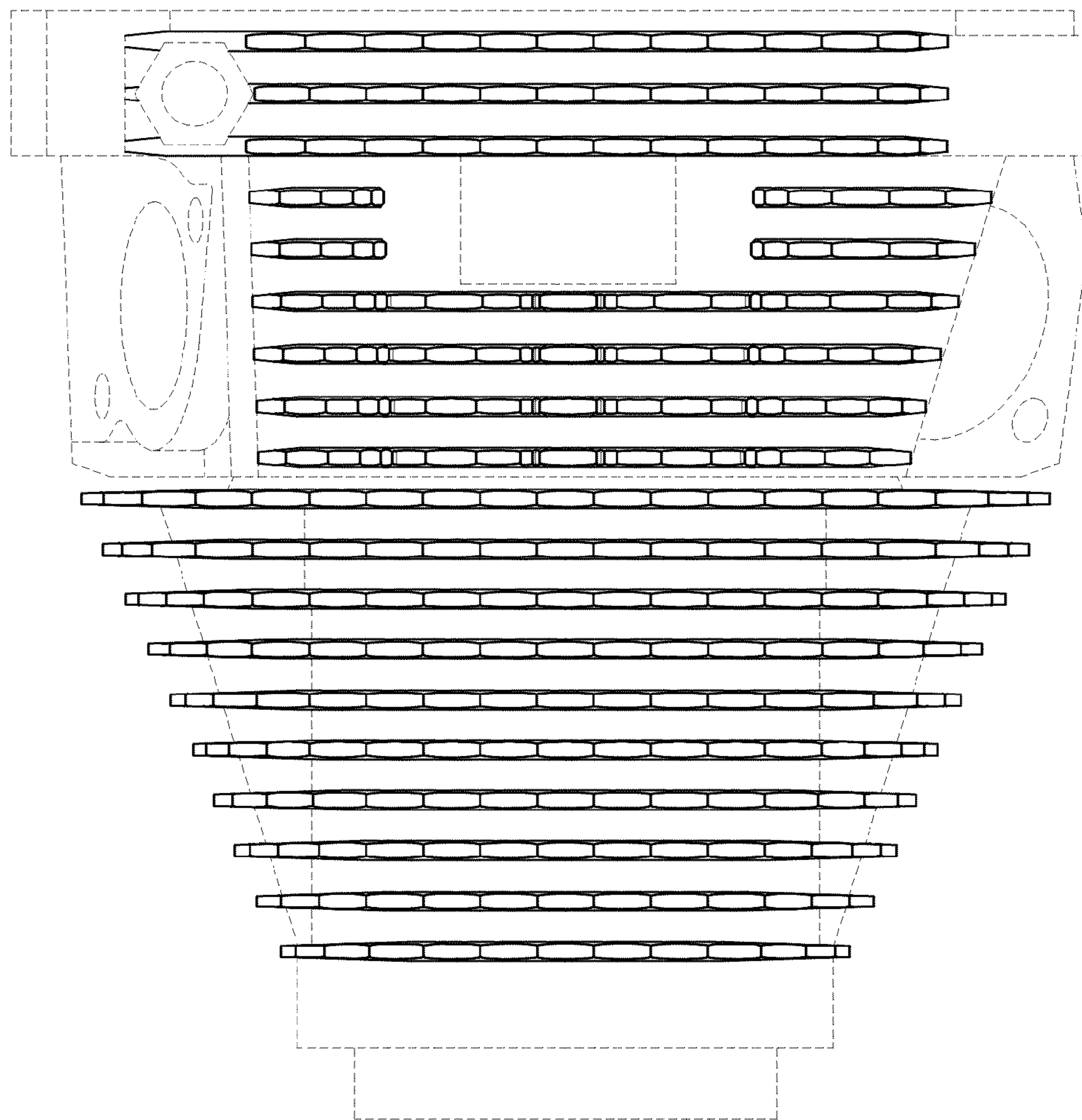


FIG. 3

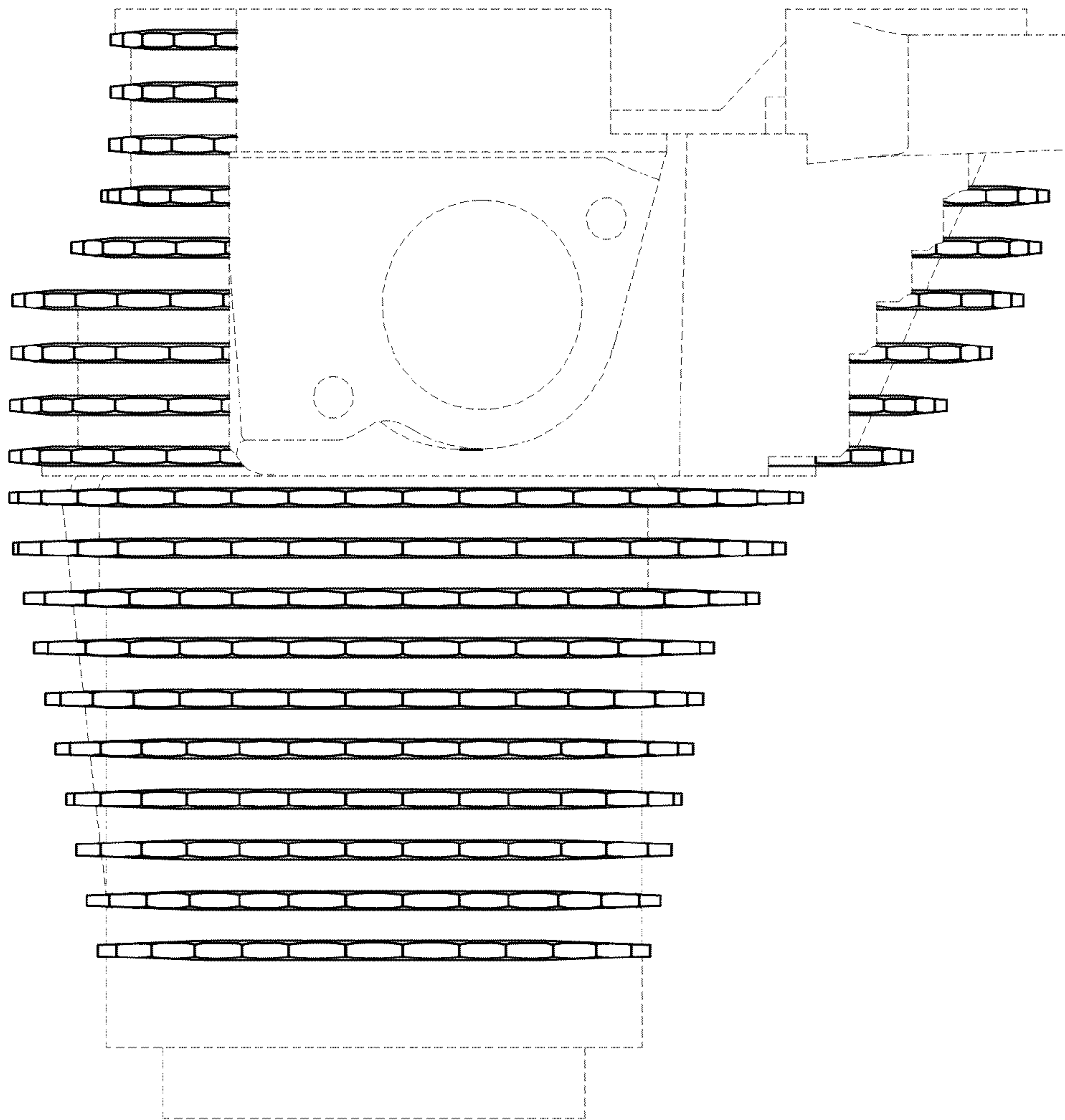


FIG. 4

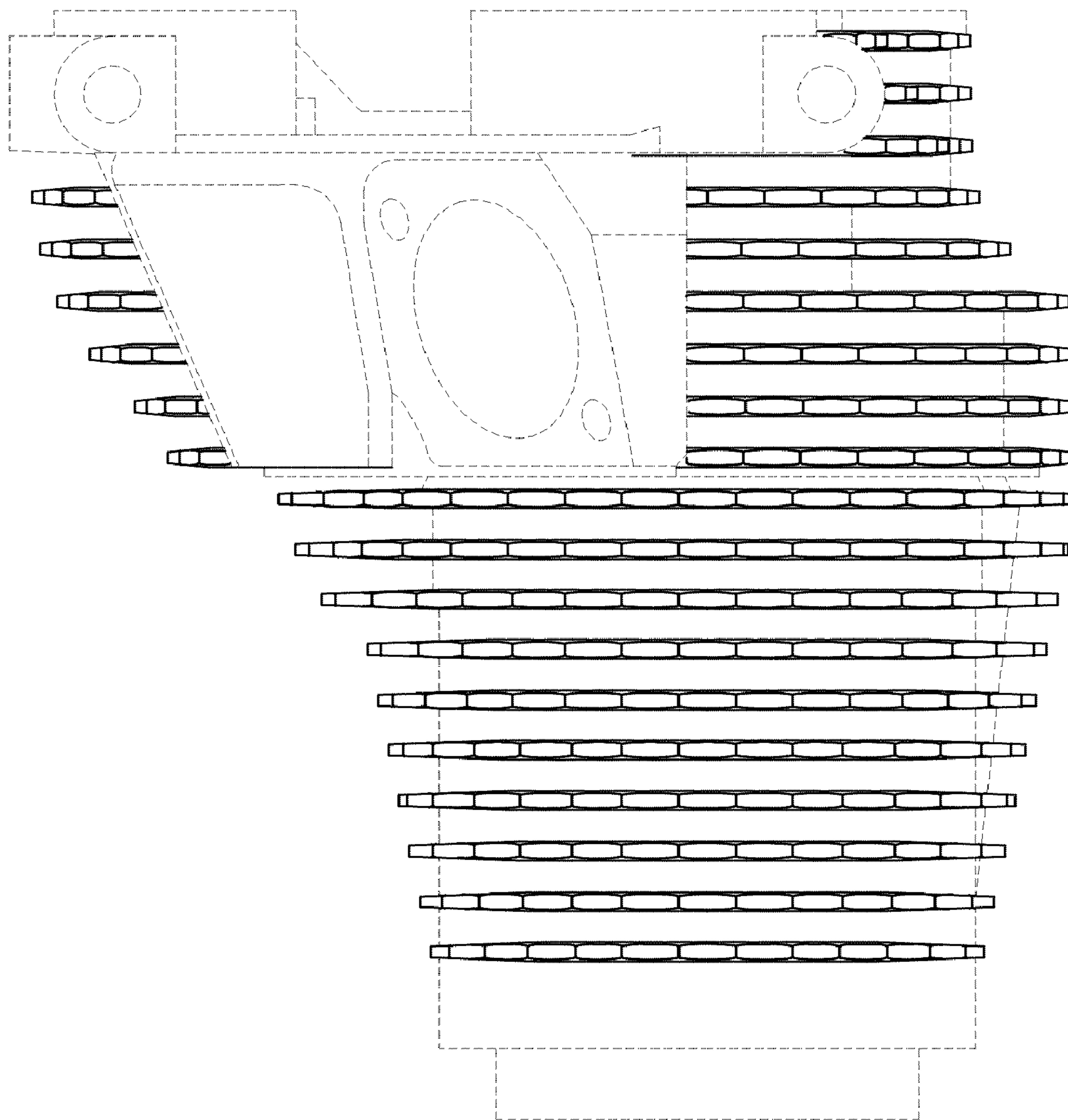


FIG. 5

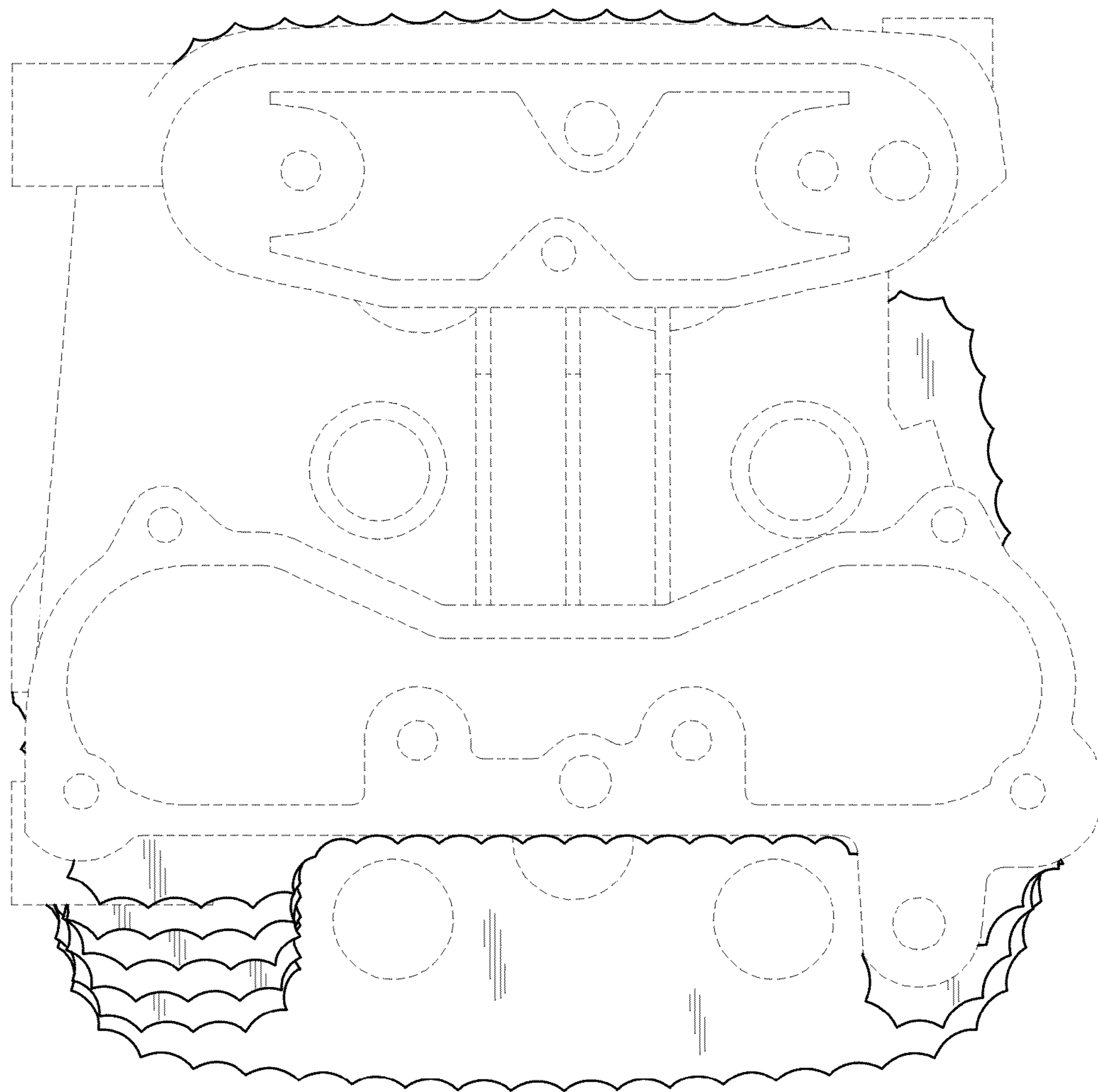


FIG. 6

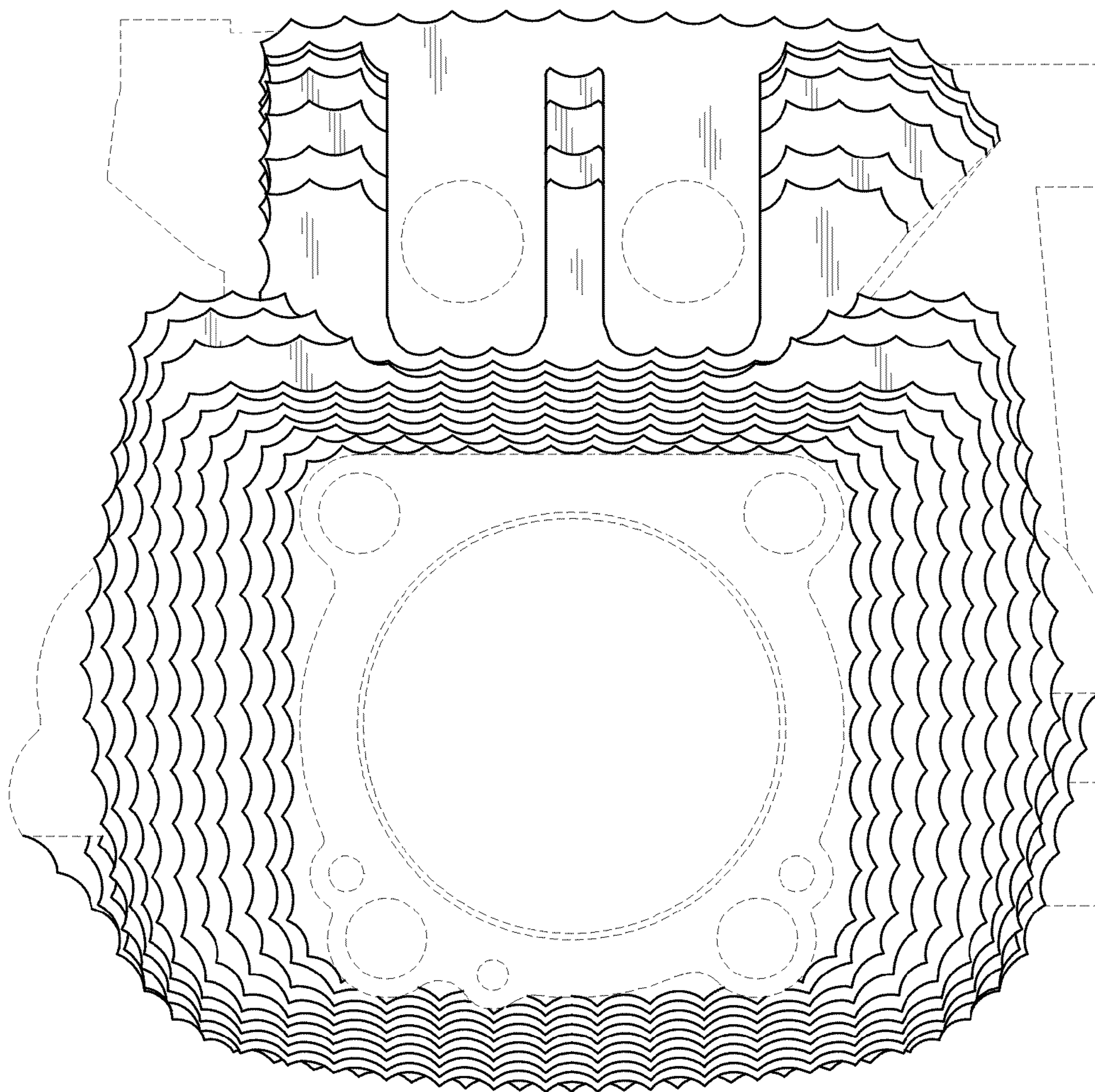


FIG. 7