



US00D601586S

(12) **United States Design Patent**
Stamler

(10) **Patent No.:** **US D601,586 S**
(45) **Date of Patent:** **** Oct. 6, 2009**

(54) **FIVE VALVE MANIFOLD WITH ANGLE BONNET**

(75) Inventor: **Edward Stamler**, Calgary (CA)

(73) Assignee: **Phoenix Precision**, Alberta (CA)

(**) Term: **14 Years**

(21) Appl. No.: **29/237,482**

(22) Filed: **Sep. 1, 2005**

Related U.S. Application Data

(63) Continuation of application No. 11/184,019, filed on Sep. 1, 2004, now Pat. No. 7,225,832.

(51) **LOC (9) Cl.** **15-01**

(52) **U.S. Cl.** **D15/5**

(58) **Field of Classification Search** D15/5;
137/597, 599.06, 599.07, 884, 599.05; D23/200,
D23/233, 245, 235, 249, 237

See application file for complete search history.

(56) **References Cited**

U.S. PATENT DOCUMENTS

5,277,224 A	1/1994	Hutton et al.	
5,449,294 A *	9/1995	Rench et al.	137/1
5,823,228 A	10/1998	Chou	
5,906,223 A *	5/1999	Pinkham	137/597
RE38,034 E	3/2003	Chou	
D520,110 S *	5/2006	Nimberger	D23/233

D520,520 S *	5/2006	Nimberger	D15/5
D535,722 S *	1/2007	Nimberger	D23/233
D544,499 S *	6/2007	Nimberger	D15/5
D544,883 S *	6/2007	Nimberger	D15/5
D544,884 S *	6/2007	Nimberger	D15/5
7,225,832 B2 *	6/2007	Stamler	137/597
D549,732 S *	8/2007	Nimberger	D15/5
2005/0252563 A1 *	11/2005	Ledo et al.	137/884

* cited by examiner

Primary Examiner—Ian Simmons

Assistant Examiner—Wan Laymon

(74) *Attorney, Agent, or Firm*—Novak Druce & Quigg LLP

(57) **CLAIM**

The ornamental design for a five valve manifold with angle bonnet, as shown and described.

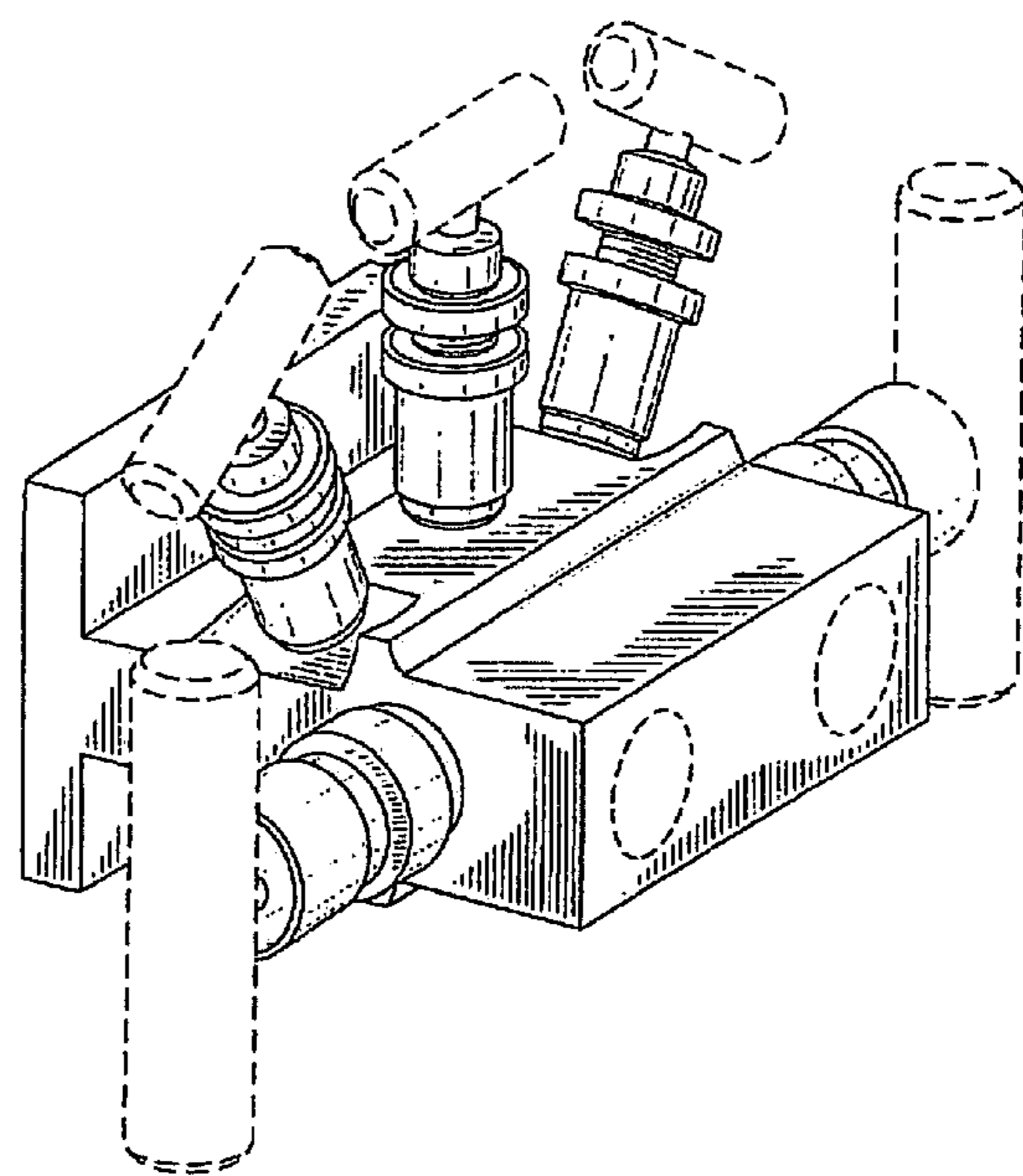
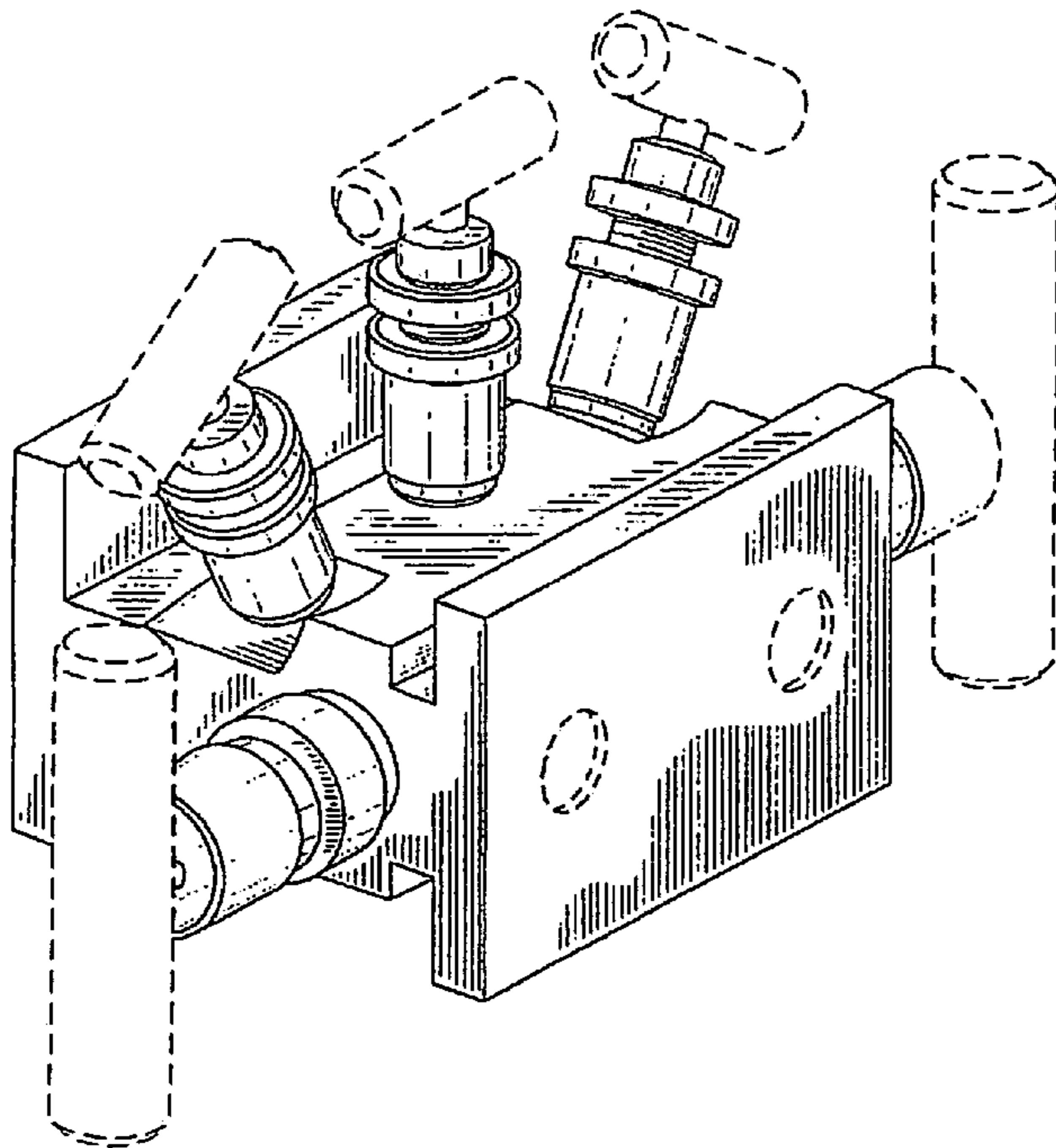
DESCRIPTION

FIG. 1 shows a perspective view of a first embodiment of the invention; and,

FIG. 2 shows a perspective view of a second embodiment of the invention. The dotted lines do not form part of the patented design.

The broken lines showing portions of the handle of the five valve manifold with angle bonnet form no part of the claimed design. The broken line showing of the hole members of the five valve manifold with angle bonnet represents an unclaimed boundary line and forms no part of the claimed design.

1 Claim, 2 Drawing Sheets



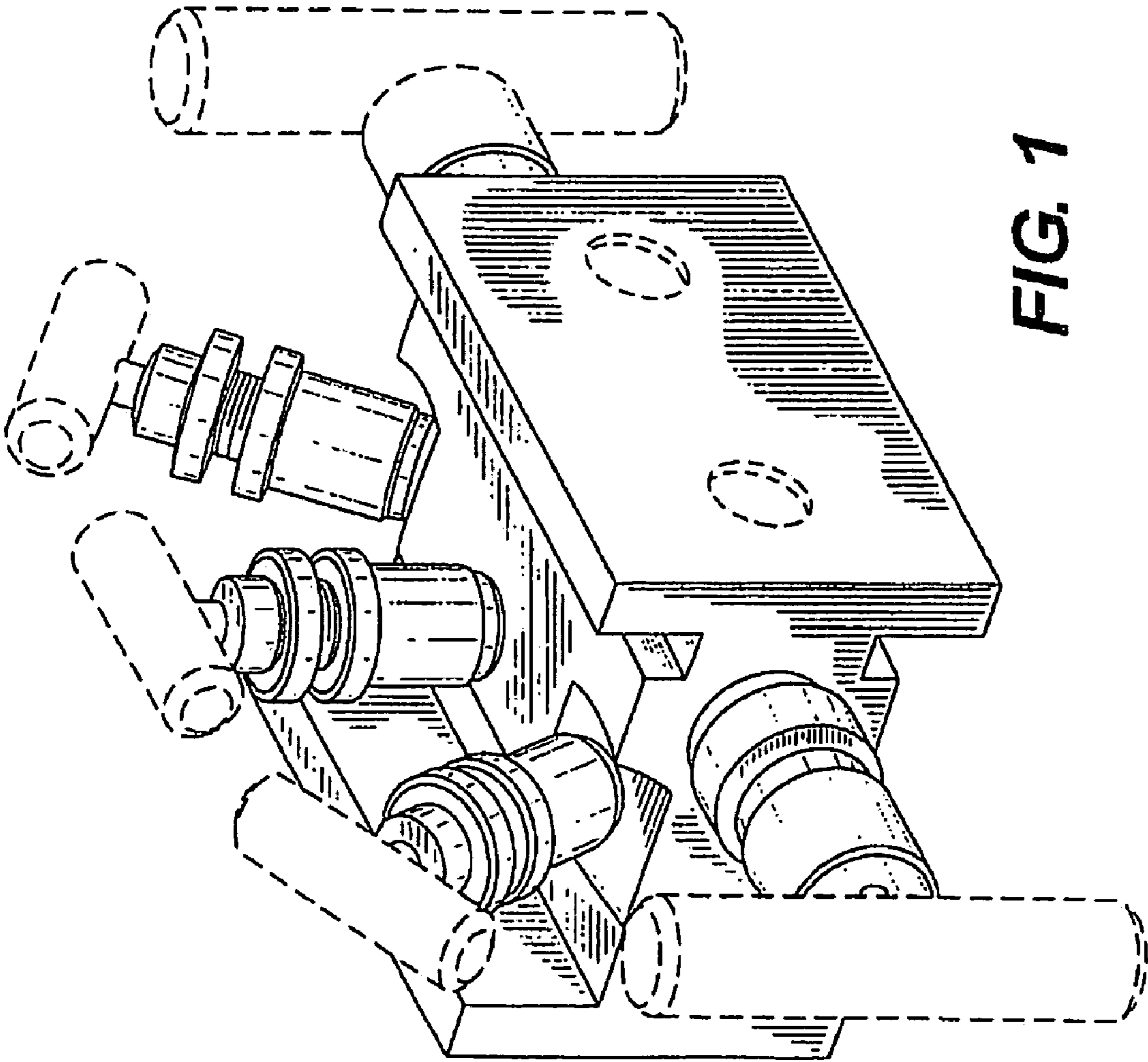


FIG. 1

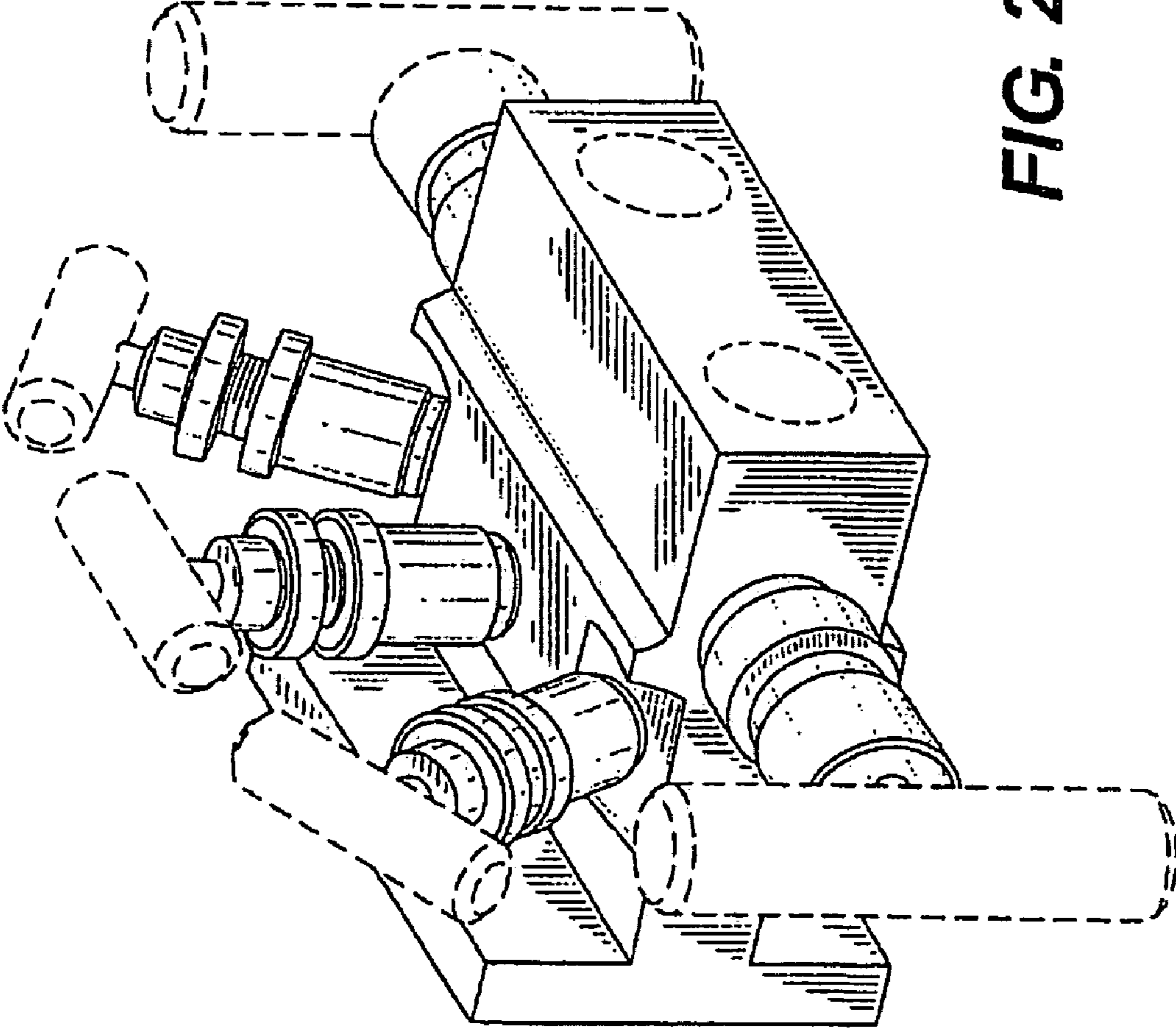


FIG. 2