



US00D601585S

(12) **United States Design Patent**
Andre et al.

(10) **Patent No.:** **US D601,585 S**
(45) **Date of Patent:** **** Oct. 6, 2009**

(54) **ELECTRONIC DEVICE**

(75) Inventors: **Bartley K. Andre**, Menlo Park, CA (US); **Daniel J. Coster**, San Francisco, CA (US); **Daniele De Iulio**, San Francisco, CA (US); **Evans Hankey**, San Francisco, CA (US); **Richard P. Howarth**, San Francisco, CA (US); **Jonathan P. Ive**, San Francisco, CA (US); **Duncan Robert Kerr**, San Francisco, CA (US); **Shin Nishibori**, Portola Valley, CA (US); **Matthew Dean Rohrbach**, San Francisco, CA (US); **Peter Russell-Clarke**, San Francisco, CA (US); **Douglas B. Satzger**, Menlo Park, CA (US); **Christopher J. Stringer**, Woodside, CA (US); **Eugene Antony Whang**, San Francisco, CA (US); **Rico Zorkendorfer**, San Francisco, CA (US)

(73) Assignee: **Apple Inc.**, Cupertino, CA (US)

(**) Term: **14 Years**

(21) Appl. No.: **29/335,235**

(22) Filed: **Apr. 10, 2009**

Related U.S. Application Data

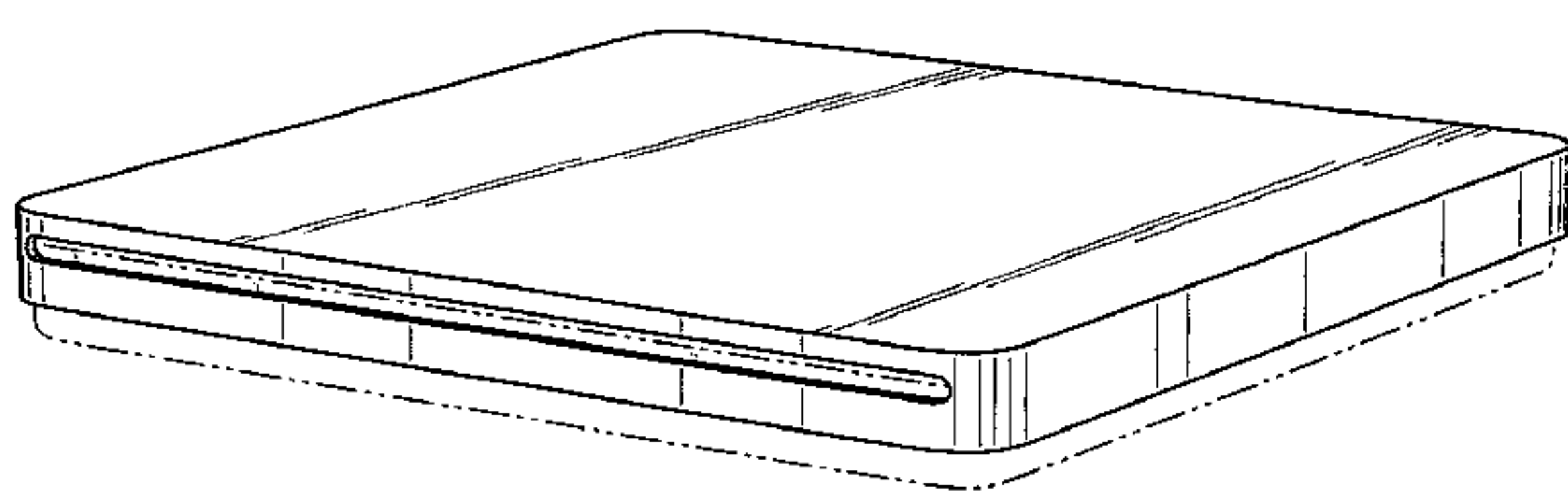
(62) Division of application No. 29/294,332, filed on Jan. 4, 2008.

(51) **LOC (9) Cl.** **14-02**

(52) **U.S. Cl.** **D14/496; D14/314**

(58) **Field of Classification Search** D14/314, D14/348, 363-369, 353-356, 496; D13/162, D13/184, 199; 312/223.1-223.3; 360/99.01-99.12; 369/34.01, 36.01; 361/680-686, 690-696; 345/173

See application file for complete search history.



(56) **References Cited**

U.S. PATENT DOCUMENTS

D299,651 S 1/1989 Preussner

(Continued)

FOREIGN PATENT DOCUMENTS

JP 1241896 6/2005
JP D1241896 6/2005

OTHER PUBLICATIONS

Eyegonomic, Eyegonomic Eyebow, www.prweb.com, available at least as early as Mar. 10, 2004.

(Continued)

Primary Examiner—Freda S Nunn

(74) *Attorney, Agent, or Firm*—SAIDMAN DesignLaw Group

(57) **CLAIM**

The ornamental design for an electronic device, as shown and described.

DESCRIPTION

FIG. 1 is a front, top perspective view of an electronic device showing our new design;

FIG. 2 is a rear, bottom perspective view thereof;

FIG. 3 is a front view thereof;

FIG. 4 is a rear view thereof;

FIG. 5 is a left side view thereof;

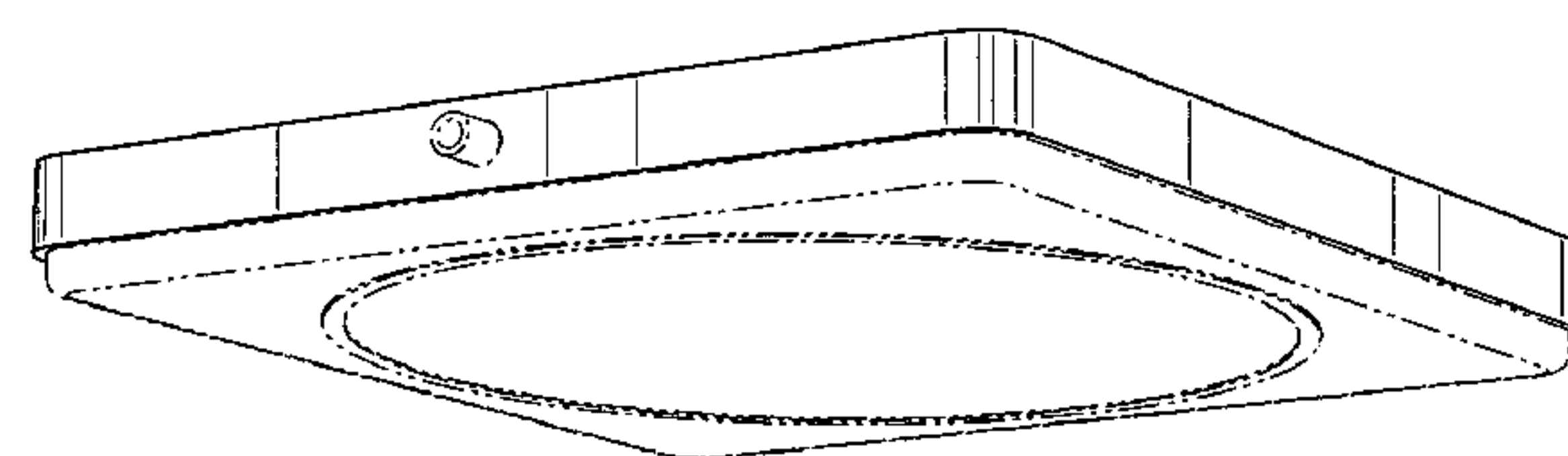
FIG. 6 is a right side view thereof;

FIG. 7 is a top view thereof; and,

FIG. 8 is a bottom view thereof.

The broken lines are environmental only and form no part of the claimed design.

1 Claim, 5 Drawing Sheets



U.S. PATENT DOCUMENTS

D301,470 S 6/1989 Preussner
D347,212 S 5/1994 Riley
D494,579 S 8/2004 Chuang et al.
6,933,928 B1 8/2005 Lilienthal
D513,617 S 1/2006 Tierney
D522,531 S 6/2006 Solomon et al.
D526,648 S 8/2006 Andre et al.
D533,177 S 12/2006 Andre et al.
D537,817 S 3/2007 Andre et al.
D542,288 S 5/2007 Andre et al.
D544,497 S * 6/2007 Kindle et al. D14/496
D558,790 S 1/2008 Yu et al.
D582,429 S * 12/2008 Kusano et al. D14/496

OTHER PUBLICATIONS

Eyegonomic, Eyegonomic Eyebax, www.eyegonomic.com/page=205, available at least as early as Feb. 7, 2005.

Green House, Mac Mini, www.green-house.co.jp, Nov. 14, 2005.
U.S. Appl. No. 29/265,955 entitled "Media Device" filed Sep. 11, 2006.
U.S. Appl. No. 29/266,005 entitled "Media Device" filed Sep. 11, 2006.
U.S. Appl. No. 29/281,459 entitled "Electronic Device" filed Jun. 22, 2007.
Office action dated Apr. 22, 2008 in U.S. Appl. No. 29/266,005 entitled "Media Device".
Office action dated Apr. 23, 2008 in U.S. Appl. No. 29/265,955 entitled "Media Device".
Office action dated Nov. 19, 2008 in U.S. Appl. No. 29/265,955 entitled "Media Device".
Office action dated Nov. 25, 2008 in U.S. Appl. No. 29/266,005 entitled "Media Device".
http://www.amazon.com/gp/product/images/B000CDR8PU/ref=dp_othersviews_3?ie=UTF8&s=electronics&simg=3, first available Apr. 2, 2004.

* cited by examiner

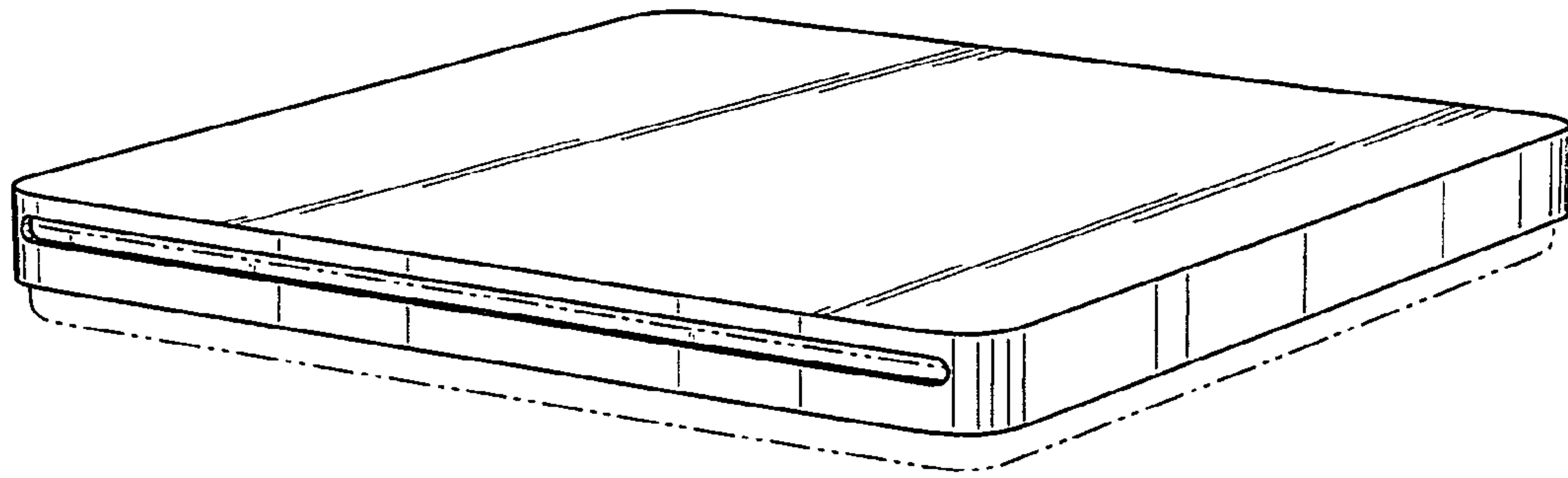


Fig. 1

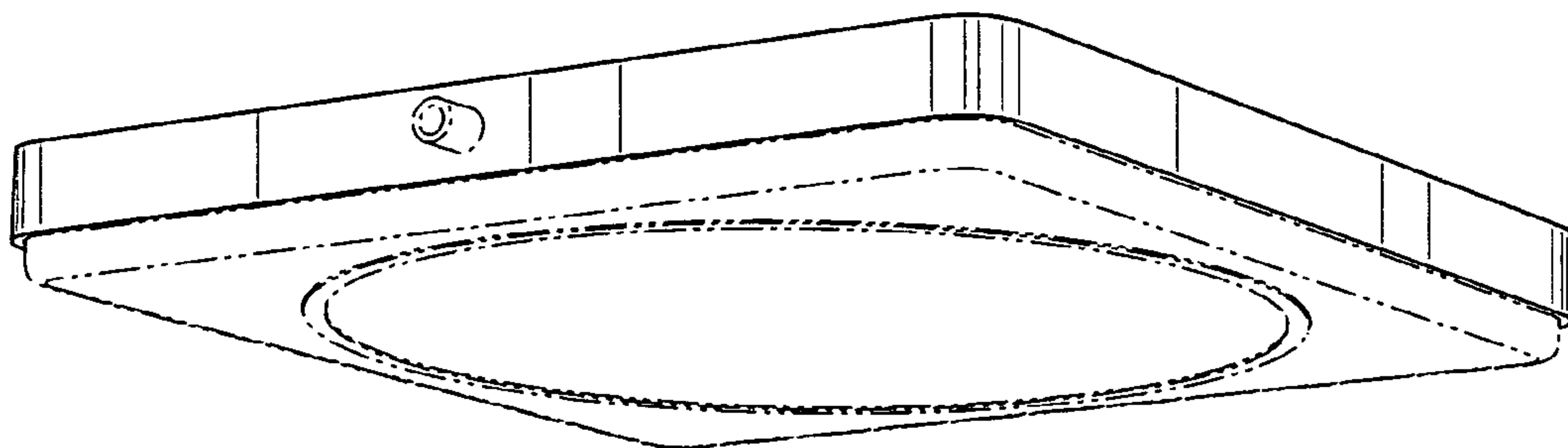


Fig. 2

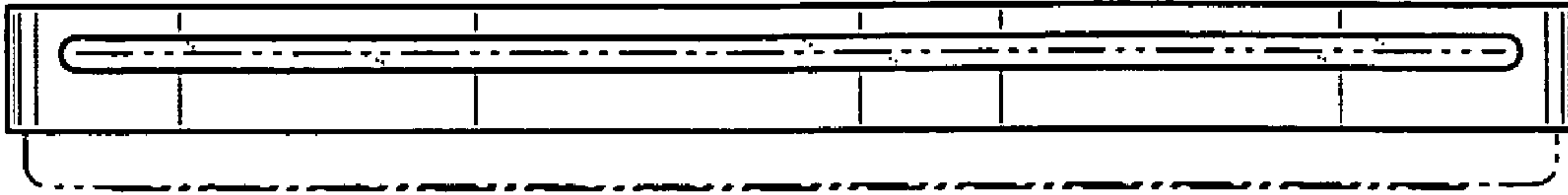


Fig. 3



Fig. 4

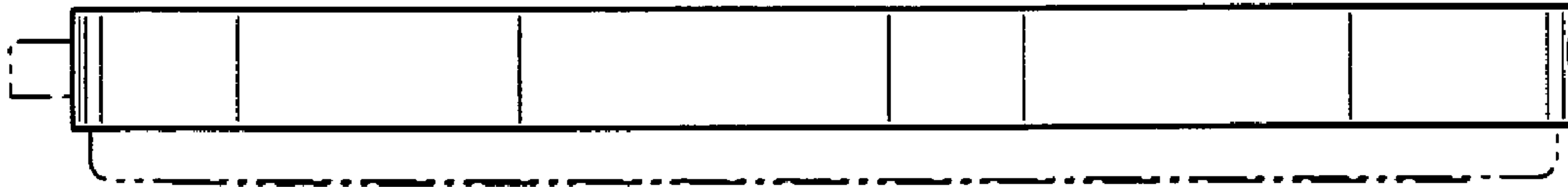


Fig. 5

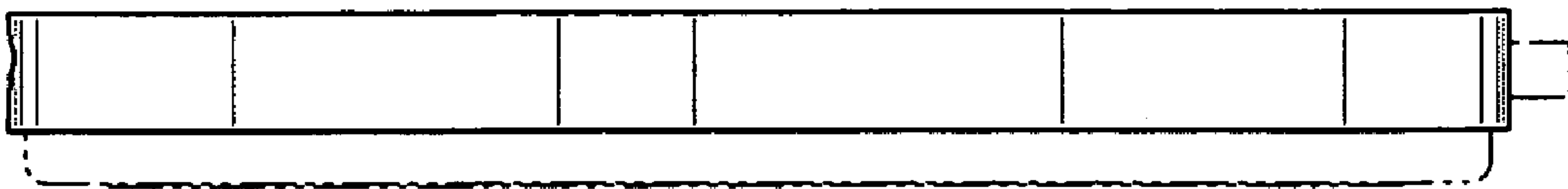


Fig. 6

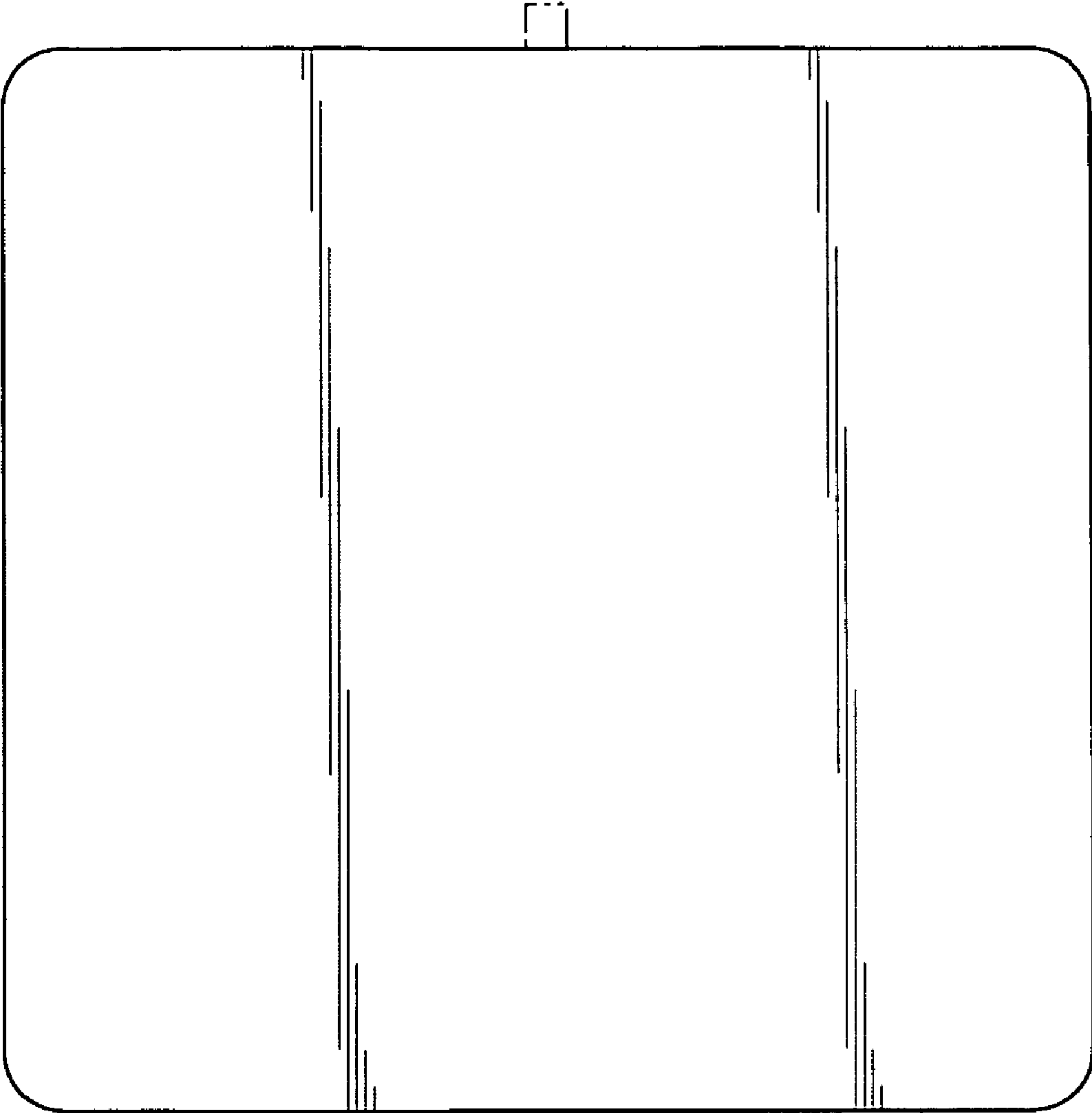


Fig. 7

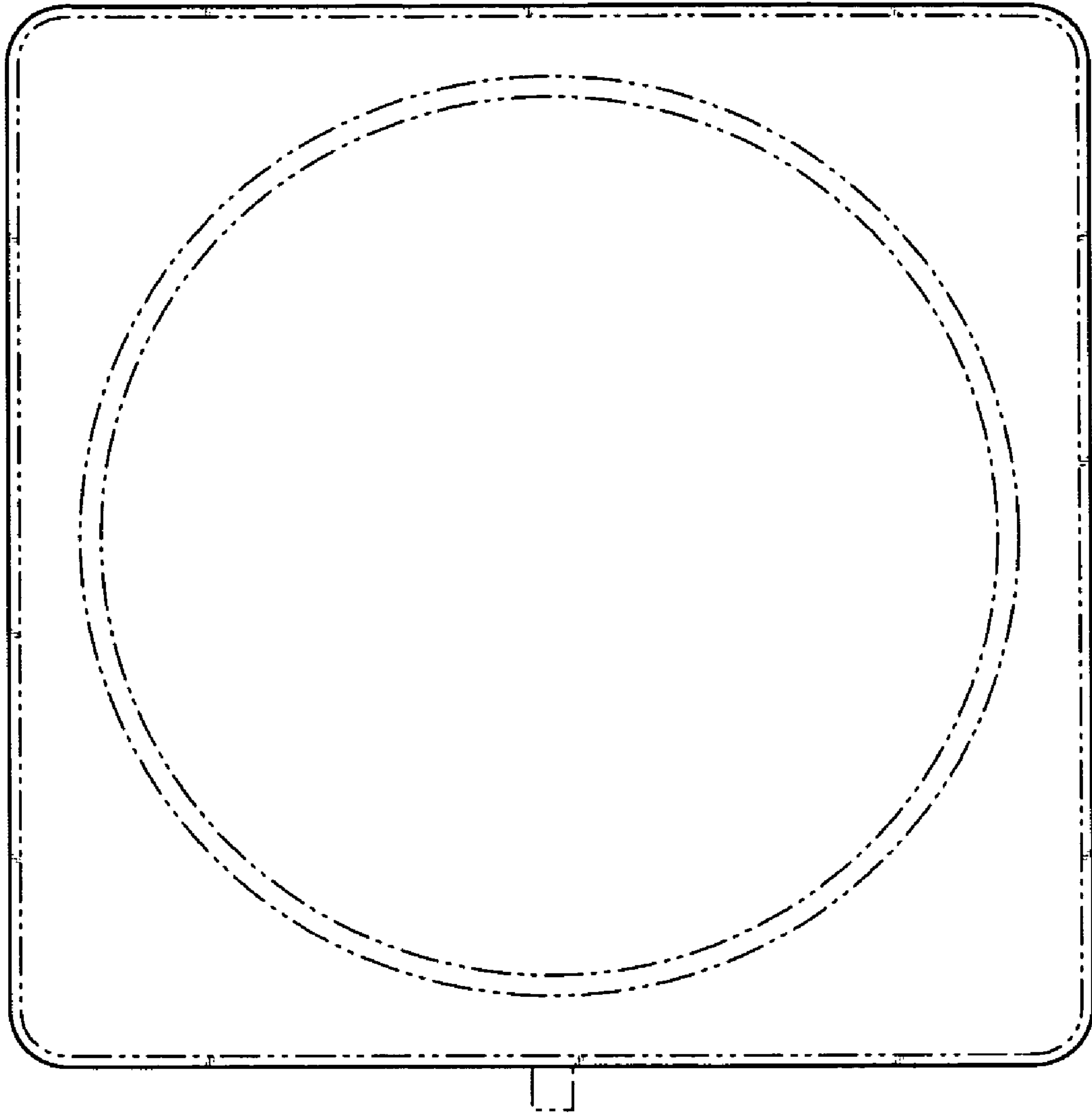


Fig. 8