

US00D601584S

(12) **United States Design Patent**
Sawai et al.

(10) **Patent No.:** **US D601,584 S**
(45) **Date of Patent:** **** Oct. 6, 2009**

(54) **ROBOTOMORPHIC AUDIO PLAYER**

(75) Inventors: **Kunihito Sawai**, Tokyo (JP); **Tomohiro Yamada**, Tokyo (JP); **Wataru Kokubo**, Tokyo (JP); **Nobuhiko Ooguchi**, Tokyo (JP)

(73) Assignee: **Sony Corporation**, Tokyo (JP)

(**) Term: **14 Years**

(21) Appl. No.: **29/309,579**

(22) Filed: **Sep. 5, 2008**

Related U.S. Application Data

(63) Continuation of application No. 29/268,005, filed on Oct. 27, 2006, now Pat. No. Des. 582,941, and a continuation of application No. 29/268,007, filed on Oct. 27, 2006, now Pat. No. Des. 579,024, and a continuation of application No. 29/268,008, filed on Oct. 27, 2006, now Pat. No. Des. 579,951.

(30) **Foreign Application Priority Data**

Apr. 27, 2006 (JP) D2006-011030
Apr. 27, 2006 (JP) D2006-011031
Apr. 27, 2006 (JP) D2006-011032

(51) **LOC (9) Cl.** **14-03**

(52) **U.S. Cl.** **D14/496**

(58) **Field of Classification Search** D14/496,
D14/401, 435, 474, 483, 217, 137, 138, 160,
D14/168; 345/156, 169, 173-179, 905;
715/727-729, 864; 710/1, 5, 8; 713/1, 600;
455/11, 1.7, 73, 344-347, 93, 95; 370/342-344;
369/1, 2, 6, 12; 463/43-47; 273/148 B

See application file for complete search history.

(56) **References Cited**

U.S. PATENT DOCUMENTS

2,911,613 A * 11/1959 White et al. 439/660
5,456,626 A * 10/1995 Ming-Kang 446/397
D393,642 S 4/1998 Yuyama

D413,889 S 9/1999 Nakano
D429,717 S 8/2000 Kizawa
D430,142 S * 8/2000 Kuo et al. D14/216
D430,852 S * 9/2000 Miyashita D13/158
D432,116 S 10/2000 Ichikawa et al.
D446,511 S 8/2001 Kanno et al.
6,381,515 B1 4/2002 Inoue et al.
D463,400 S 9/2002 Narita
D465,468 S 11/2002 Kanno
D467,574 S 12/2002 Suzuki et al.
D471,179 S 3/2003 Suzuki et al.
D472,543 S 4/2003 Shintani
D476,310 S 6/2003 Hisatsune
6,623,072 B1 9/2003 Mellace
D481,702 S 11/2003 Takagi
6,773,344 B1 8/2004 Gabai et al.
6,778,073 B2 8/2004 Lutter et al.
D512,406 S 12/2005 Shimizu
D518,065 S 3/2006 Kobayashi
D530,306 S 10/2006 Wang et al.
D533,185 S 12/2006 Ishida et al.
D541,260 S 4/2007 Christianson
7,207,860 B2 4/2007 Hornsby et al.
D543,994 S 6/2007 Kurihara
D549,239 S 8/2007 Chen
D555,168 S 11/2007 Lin
7,338,341 B2 3/2008 Hoeting et al.

* cited by examiner

Primary Examiner—Prabhakar Deshmukh

(74) *Attorney, Agent, or Firm*—Rader, Fishman & Grauer, PLLC

(57) **CLAIM**

The ornamental design for a robotomorphic audio player, as shown and described.

DESCRIPTION

FIG. 1 is a perspective view of a first embodiment of a robotomorphic audio player showing our new design, wherein right and left ring portions, and right and left side cover portions thereof are rotatable relatively with respect to one another;

FIG. 2 is a front elevational view thereof;

FIG. 3 is a rear elevational view thereof;

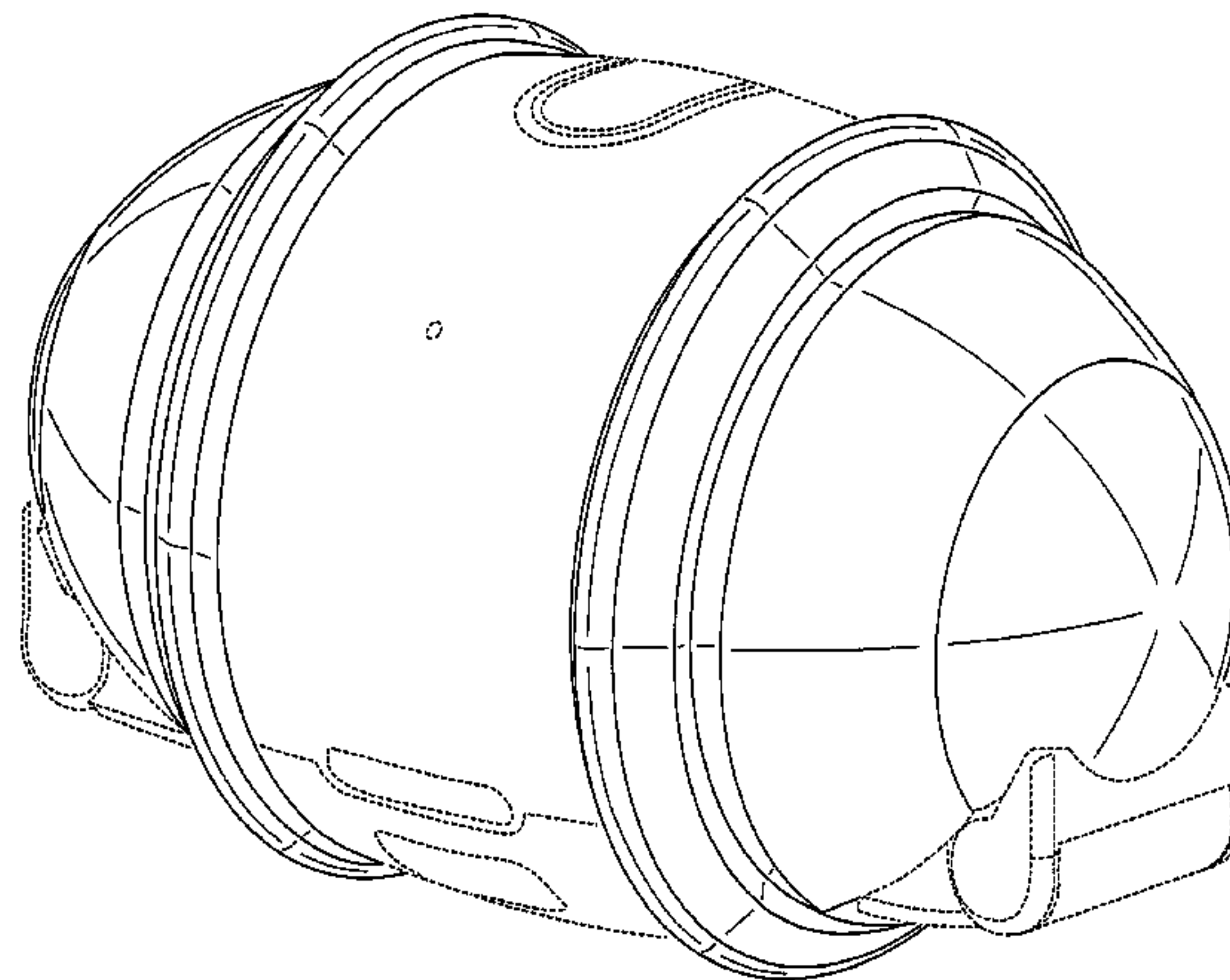


FIG. 4 is a right side elevational view thereof, a left side elevational view thereof being the same image as the right side elevational view;

FIG. 5 is a top plan view thereof;

FIG. 6 is a bottom plan view thereof;

FIG. 7 is a top plan view thereof, wherein the right side cover portion which can be opened and closed is in a first open position;

FIG. 8 is a front elevational view thereof;

FIG. 9 is a front elevational view thereof, wherein the right side cover portion and the left side cover portion which can be opened and closed, are in the respective first open positions;

FIG. 10 is a right side elevational view thereof, a left side elevational view thereof being the same as the right side elevational view, wherein the right side cover portion is in the first open position;

FIG. 11 is a right side elevational view thereof, wherein the right side cover portion is in a second open position where the right side cover portion is relatively rotated with respect to the right ring portion;

FIG. 12 is a right side elevational view thereof, wherein the right side cover portion is in a third open position where the right side cover portion is relatively rotated with respect to the right ring portion;

FIG. 13 is a perspective view of a second embodiment of a robotomorphic audio player showing our new design, wherein right and left ring portions, and right and left side cover portions thereof are rotatable relatively with respect to one another;

FIG. 14 is a front elevational view thereof;

FIG. 15 is a rear elevational view thereof;

FIG. 16 is a right side elevational view thereof, a left side elevational view thereof being the same as the right side elevational view;

FIG. 17 is a top plan view thereof;

FIG. 18 is a bottom plan view thereof;

FIG. 19 is a top plan view thereof, wherein the right side cover portion which can be opened and closed, is in a first open position;

FIG. 20 is a front elevational view thereof; and

FIG. 21 is a front elevational view thereof, wherein the right side cover portion and the left side cover portion which can be opened and closed are in the respective first open positions;

FIG. 22 is a right side elevational view thereof, a left side elevational view thereof being the same as the right side elevational view, wherein the right side cover portion is in the first open position;

FIG. 23 is a right side elevational view thereof, wherein the right side cover portion is in a second open position where the right side cover portion is rotated relatively with respect to the right ring portion; and,

FIG. 24 is a right side elevational view thereof, wherein the right side cover portion is in a third open position where the right side cover portion is rotated relatively with respect to the right ring portion.

The broken lines, which define the bounds of the claimed design, form no part thereof. The broken lines environmental are for illustrative purpose only and form no part of claimed design.

1 Claim, 24 Drawing Sheets

FIG.1

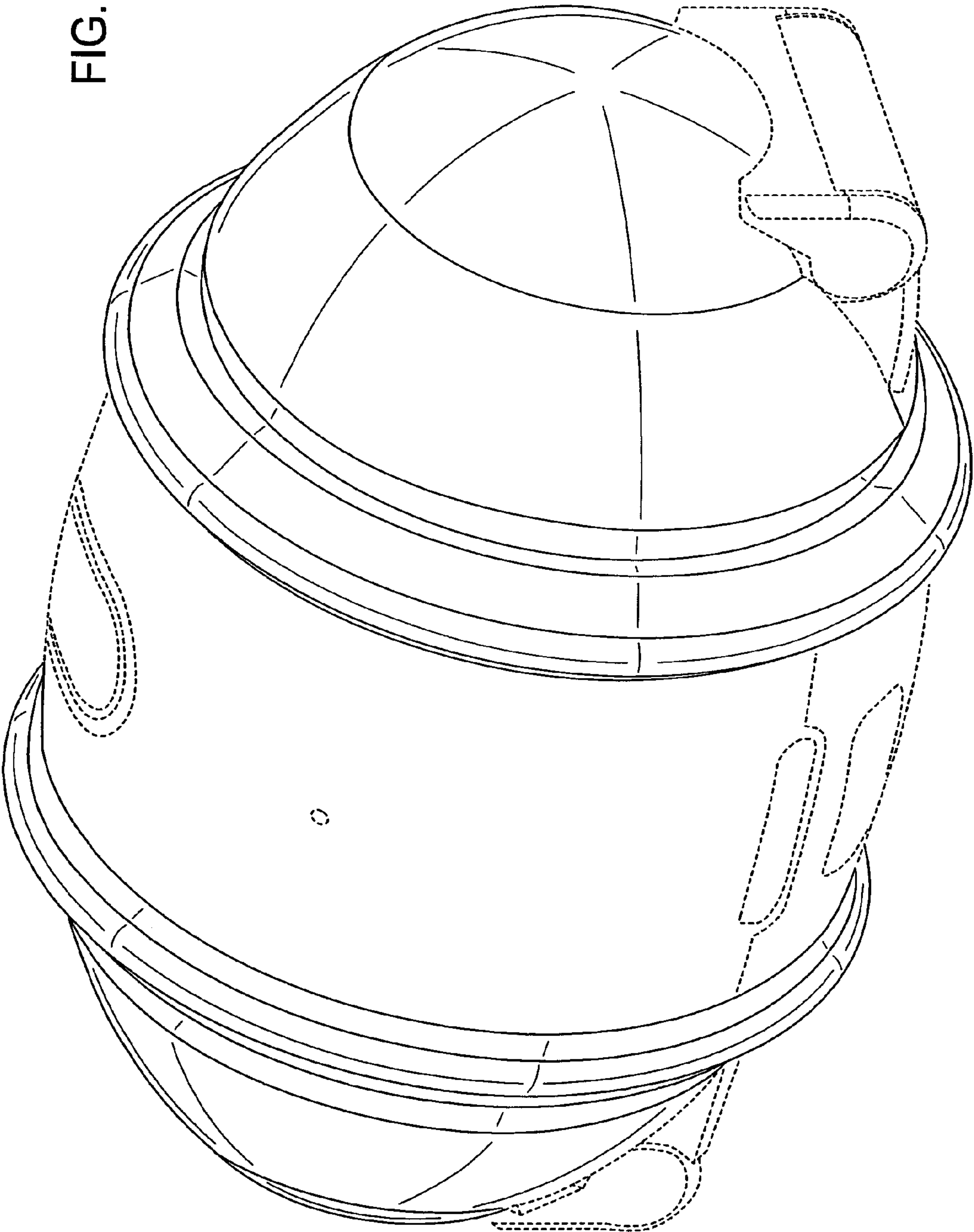
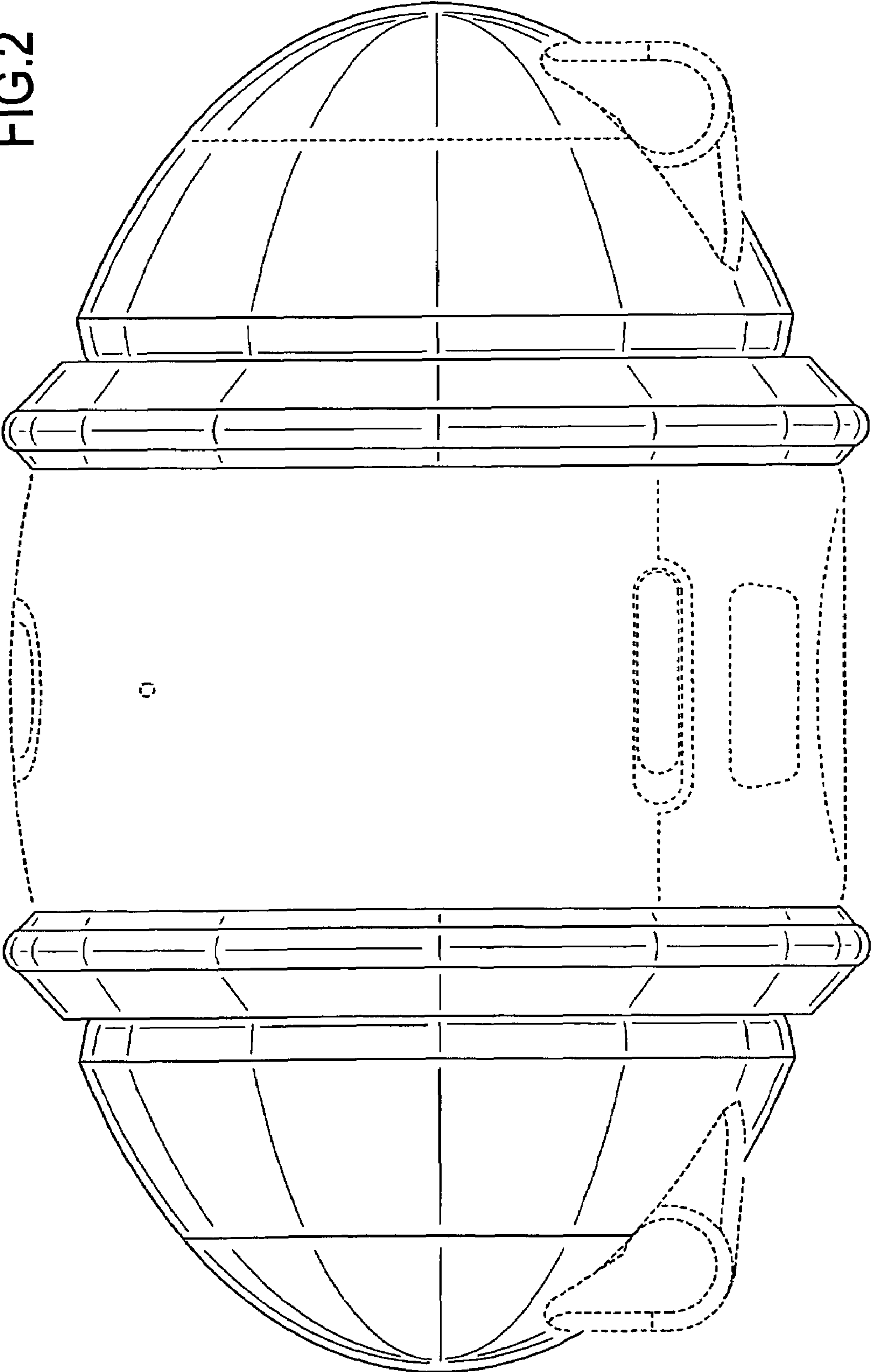


FIG.2



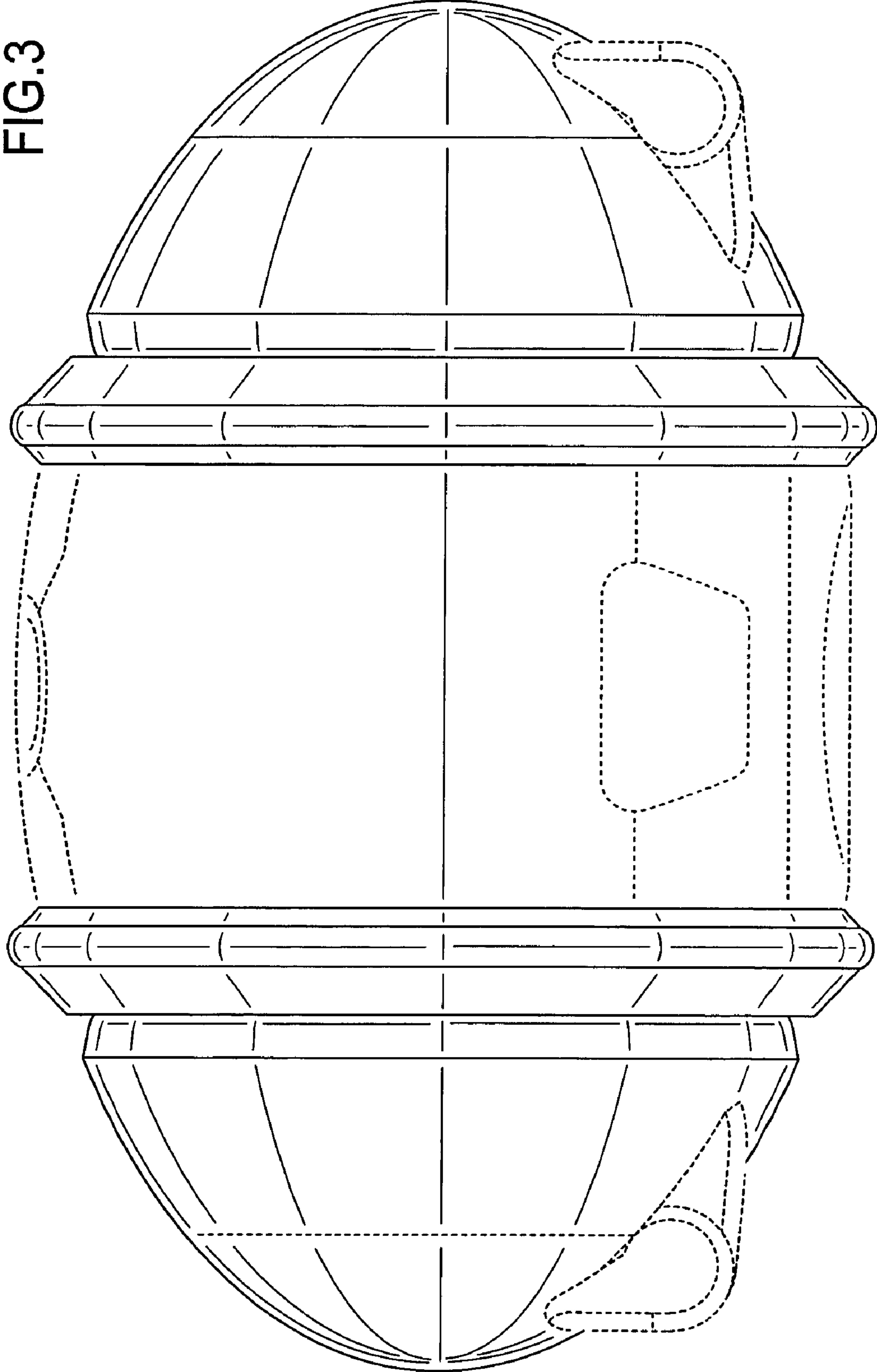


FIG. 3

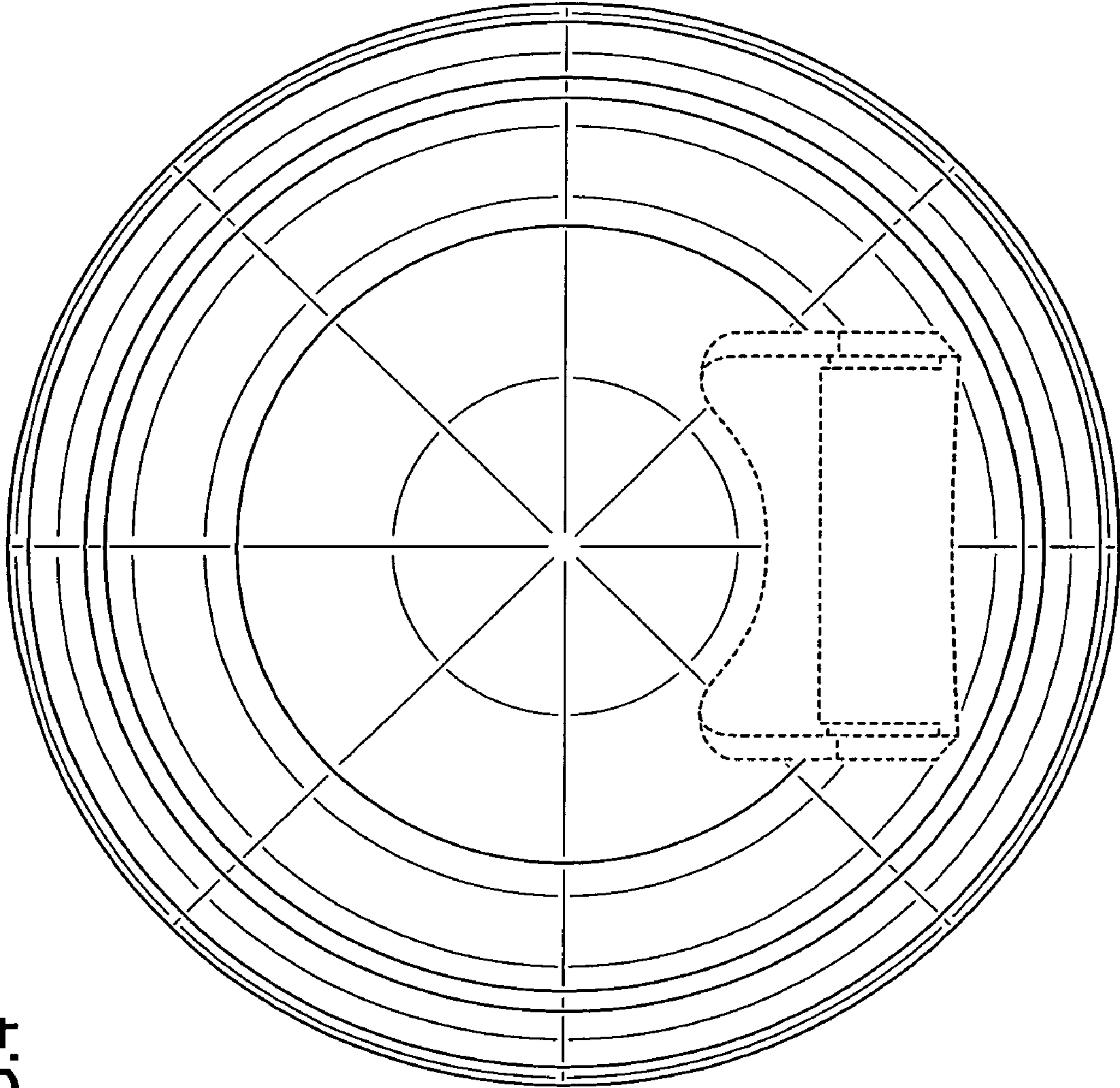


FIG.4

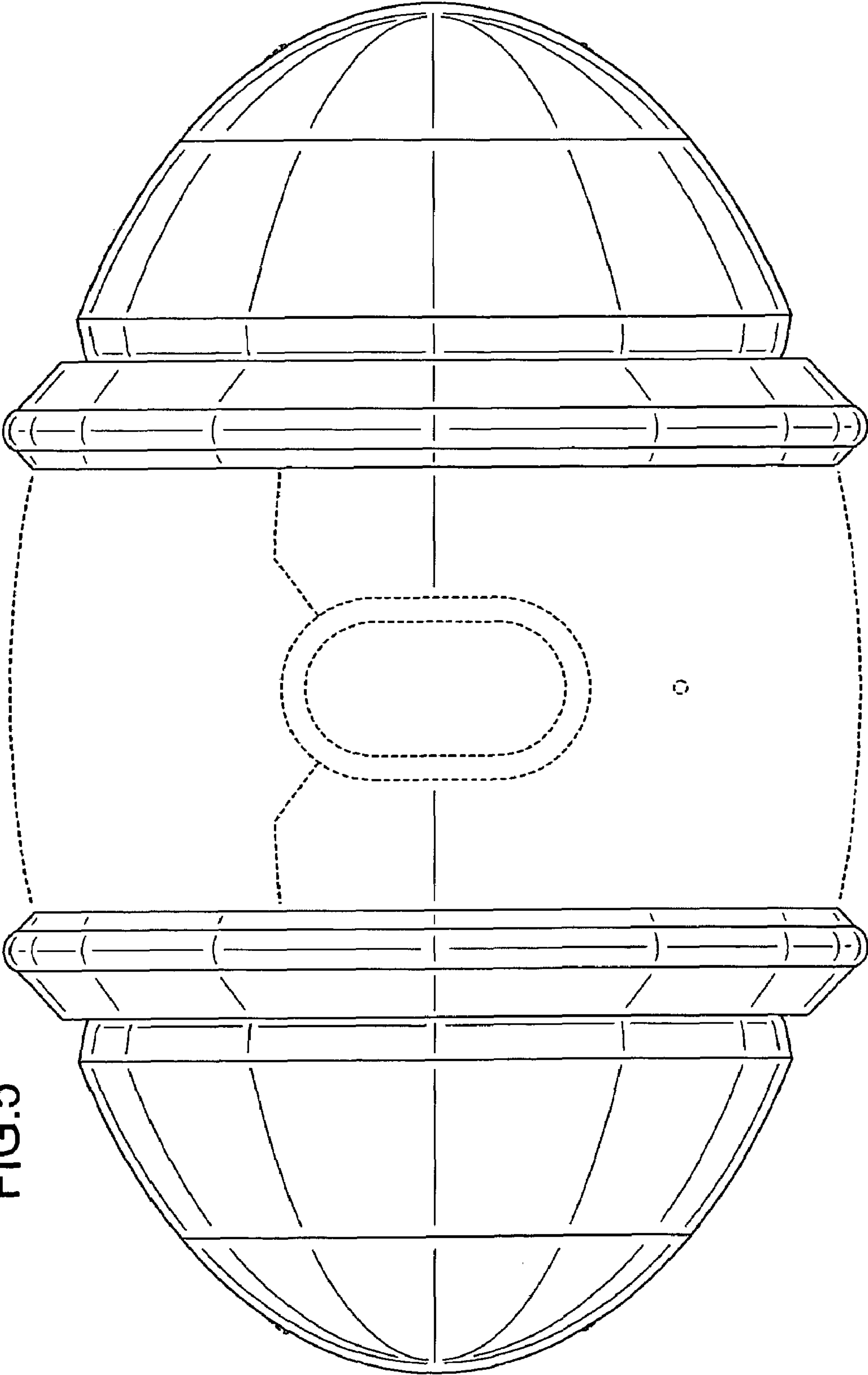


FIG.5

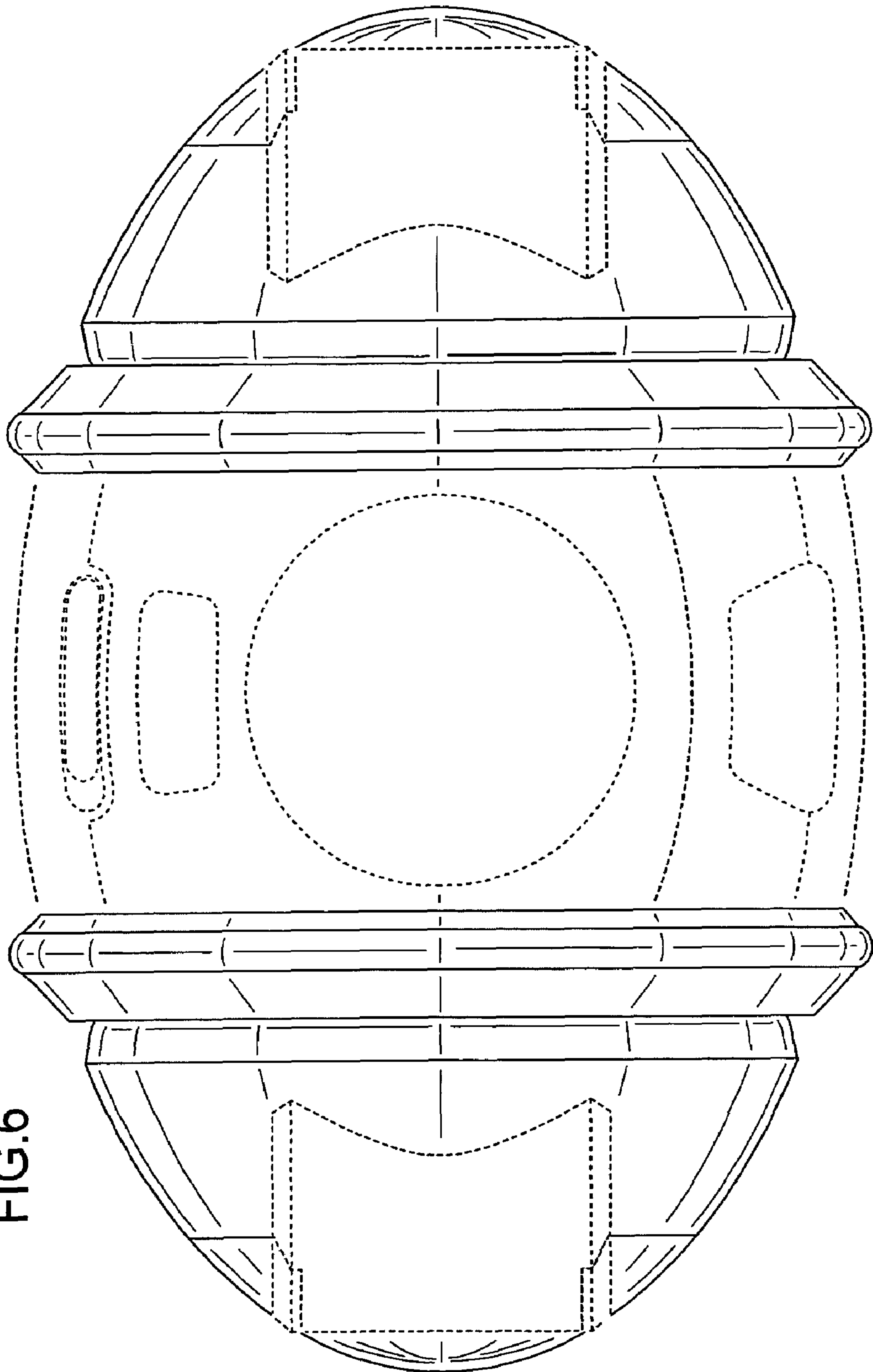


FIG.6

FIG.7

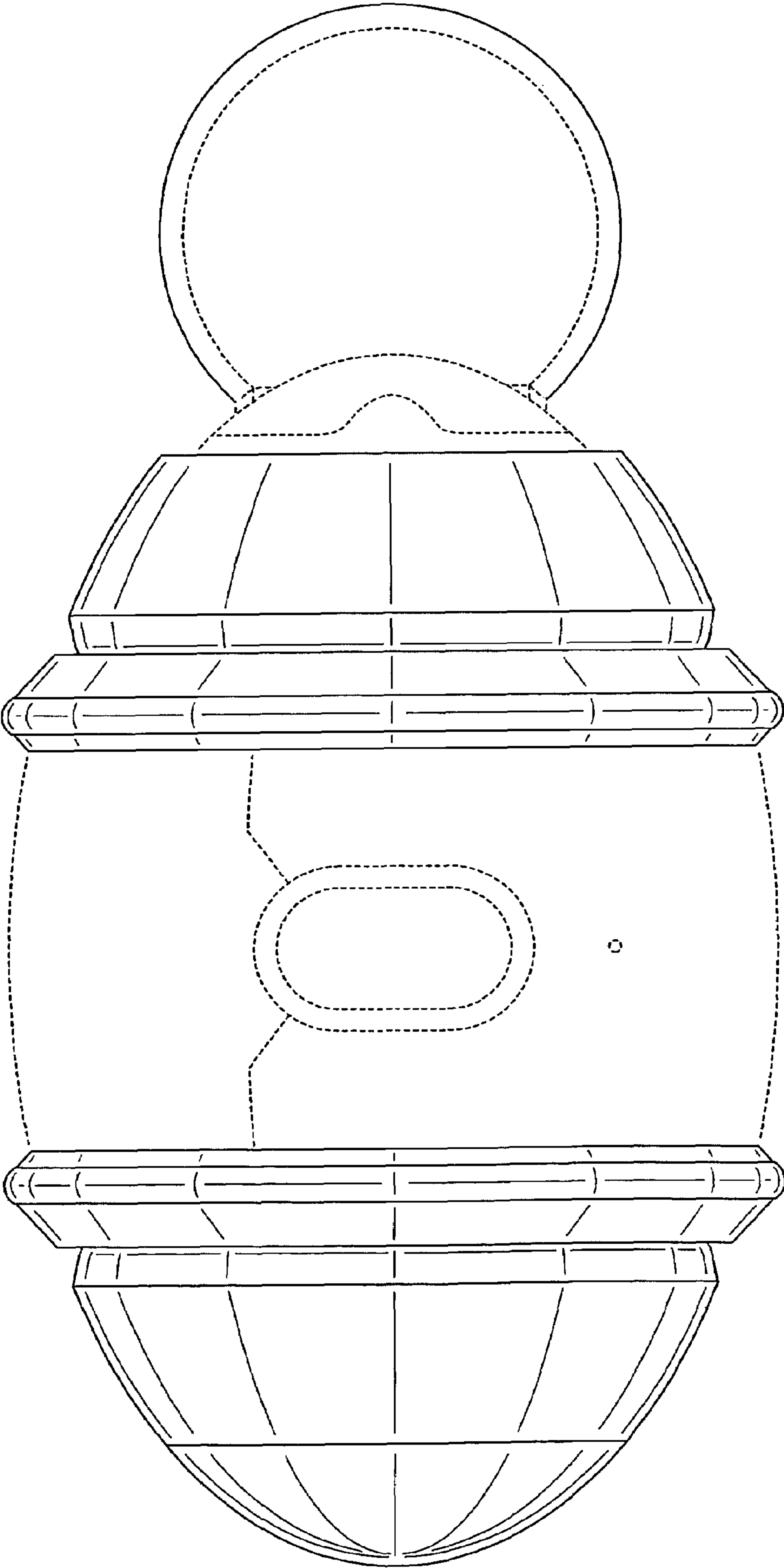


FIG.8

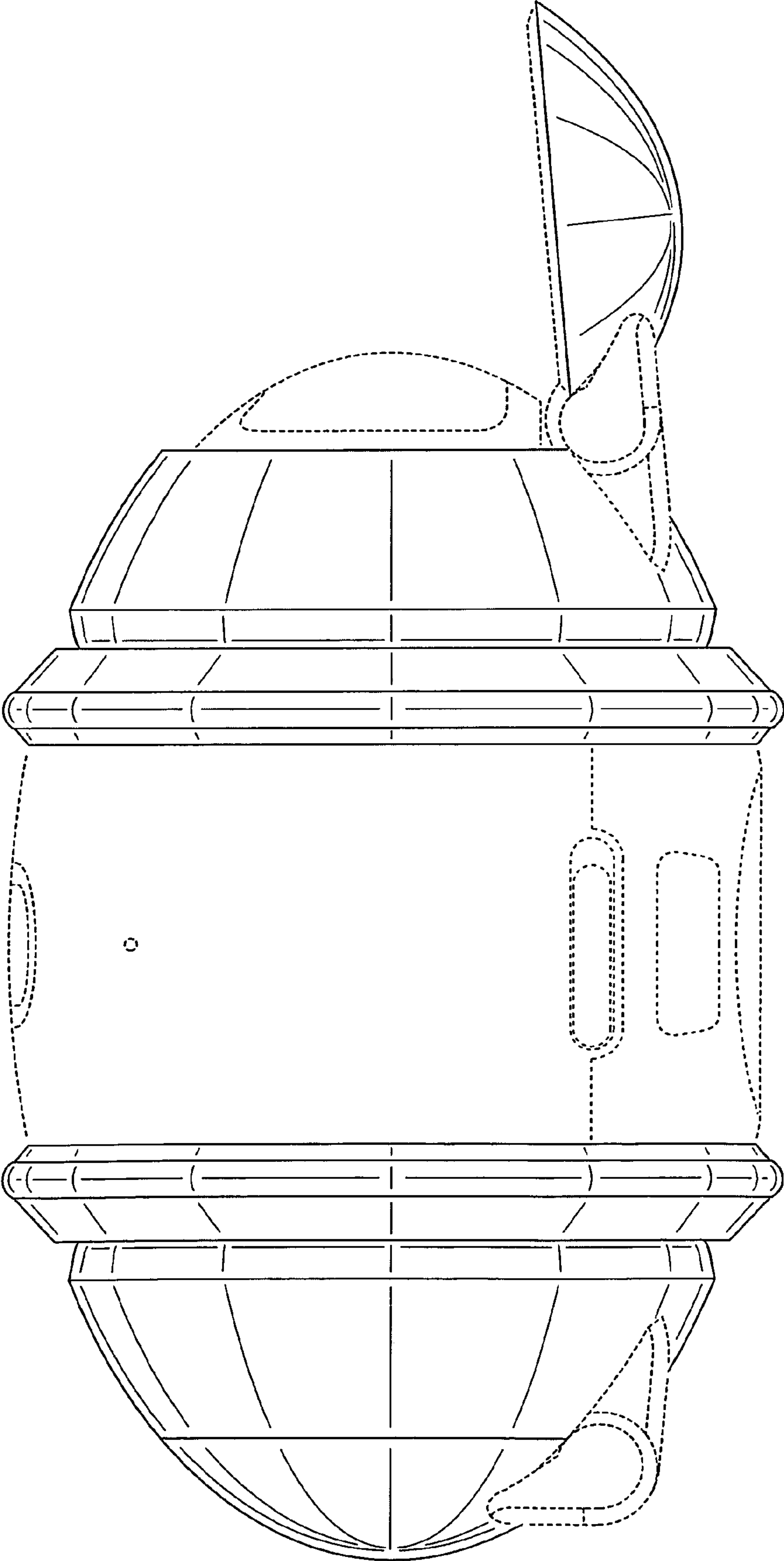


FIG.9

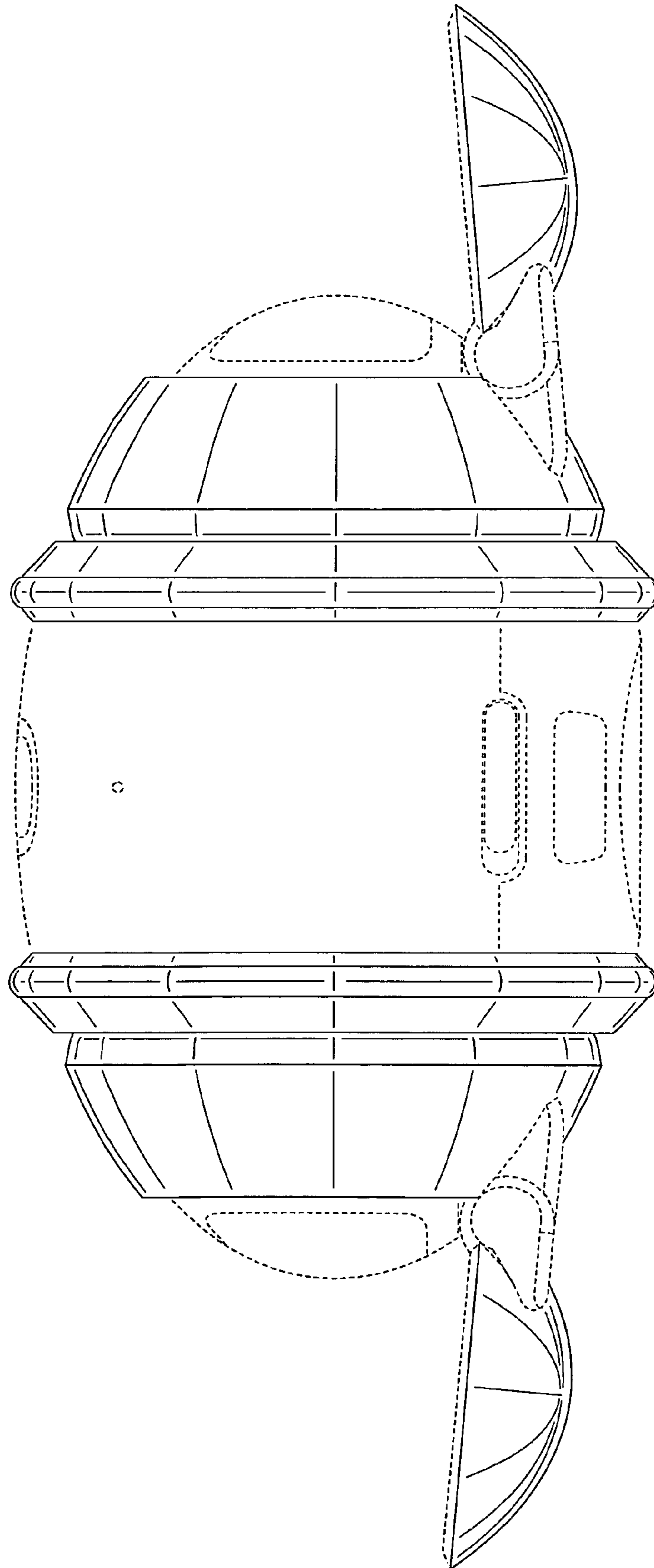


FIG.10

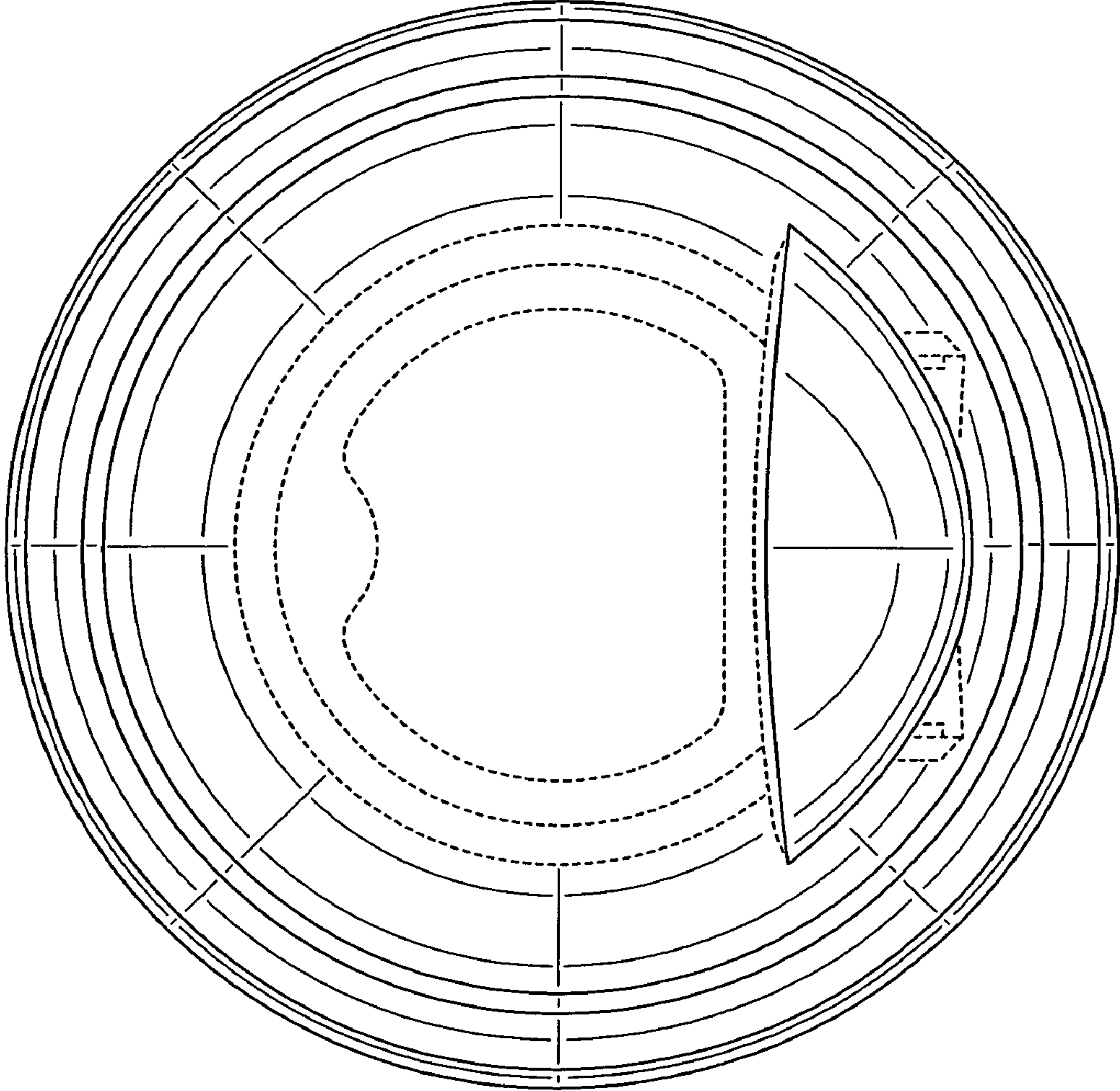


FIG.11

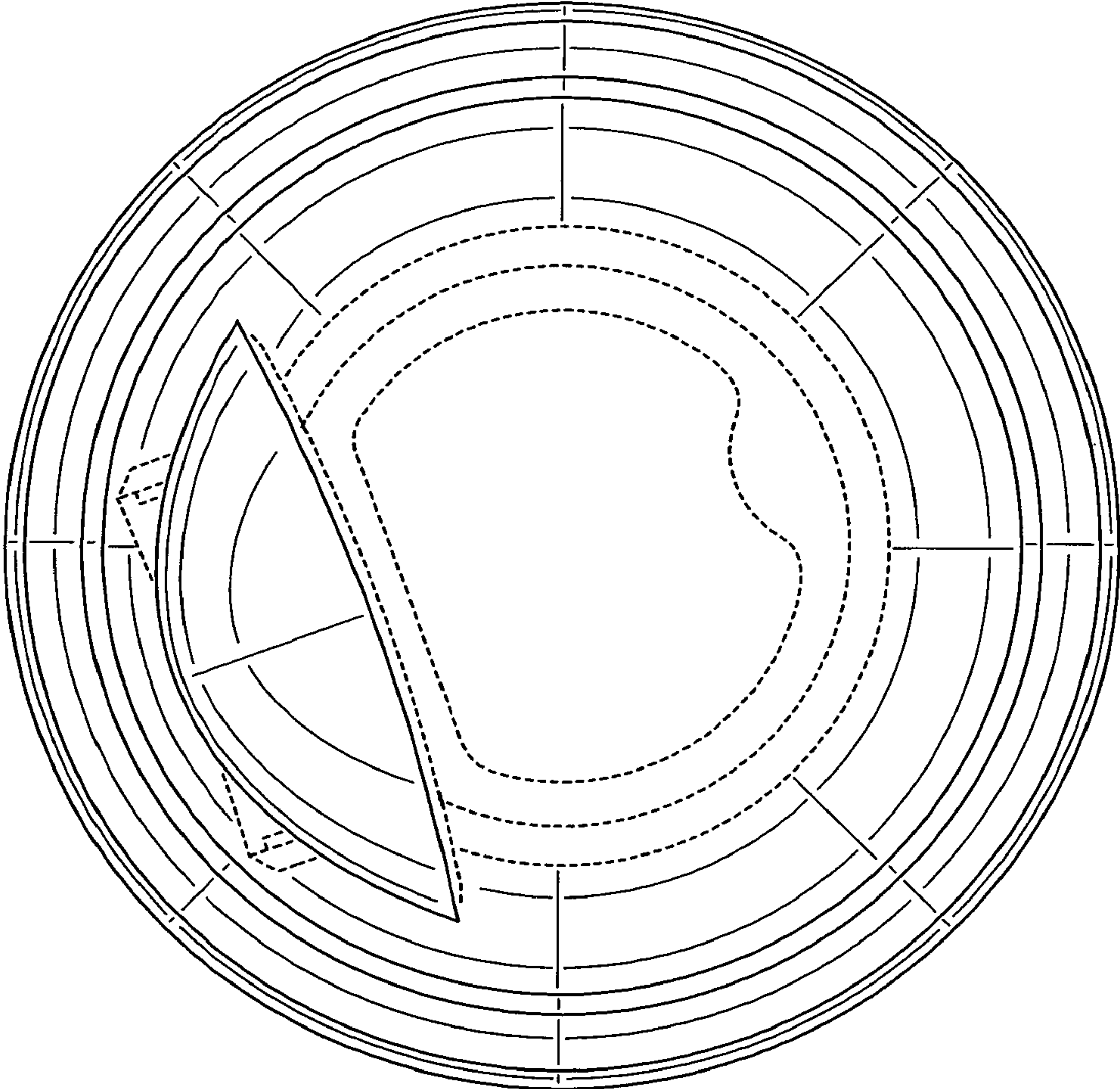


FIG.12

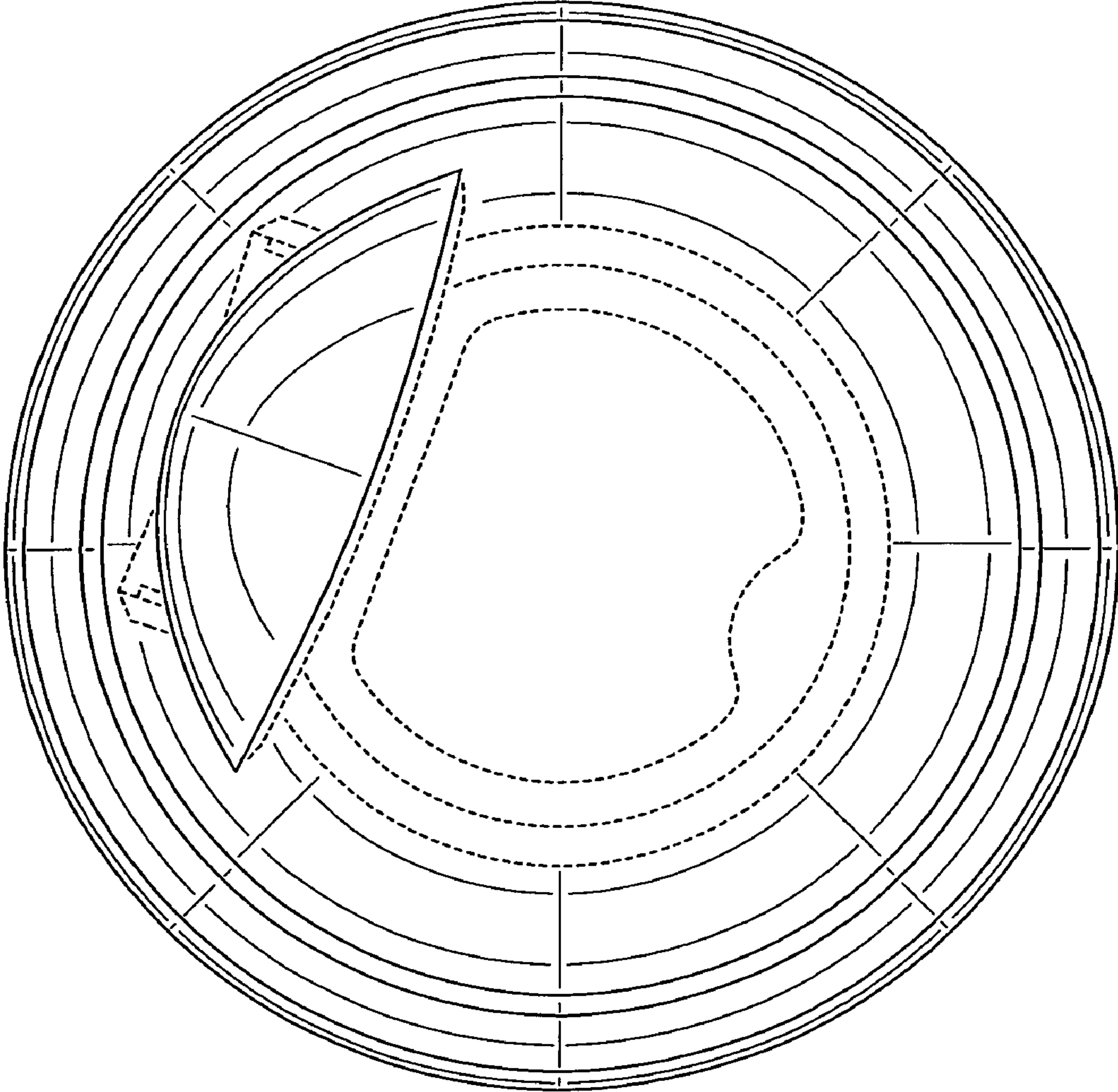


FIG.13

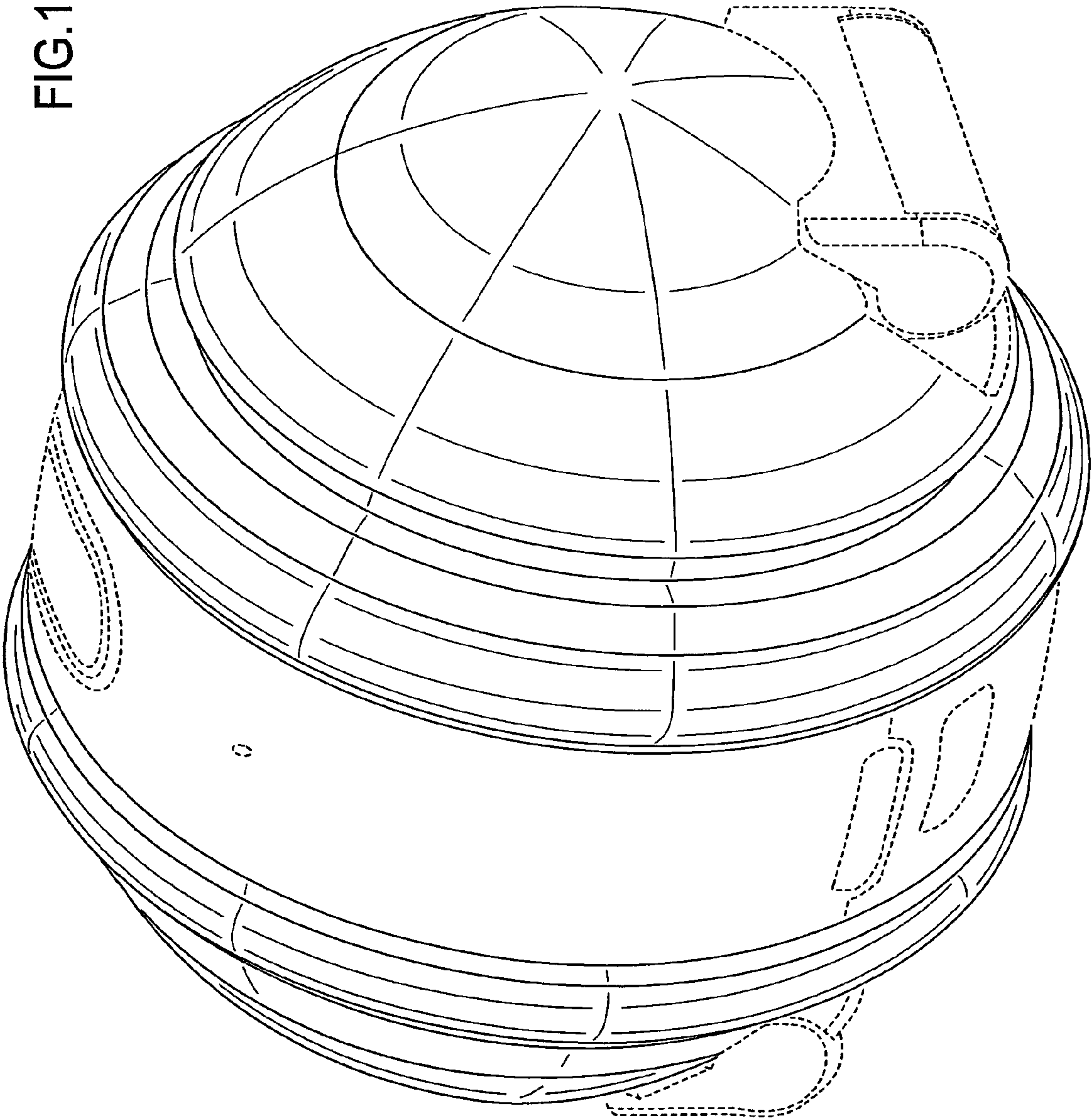


FIG. 14

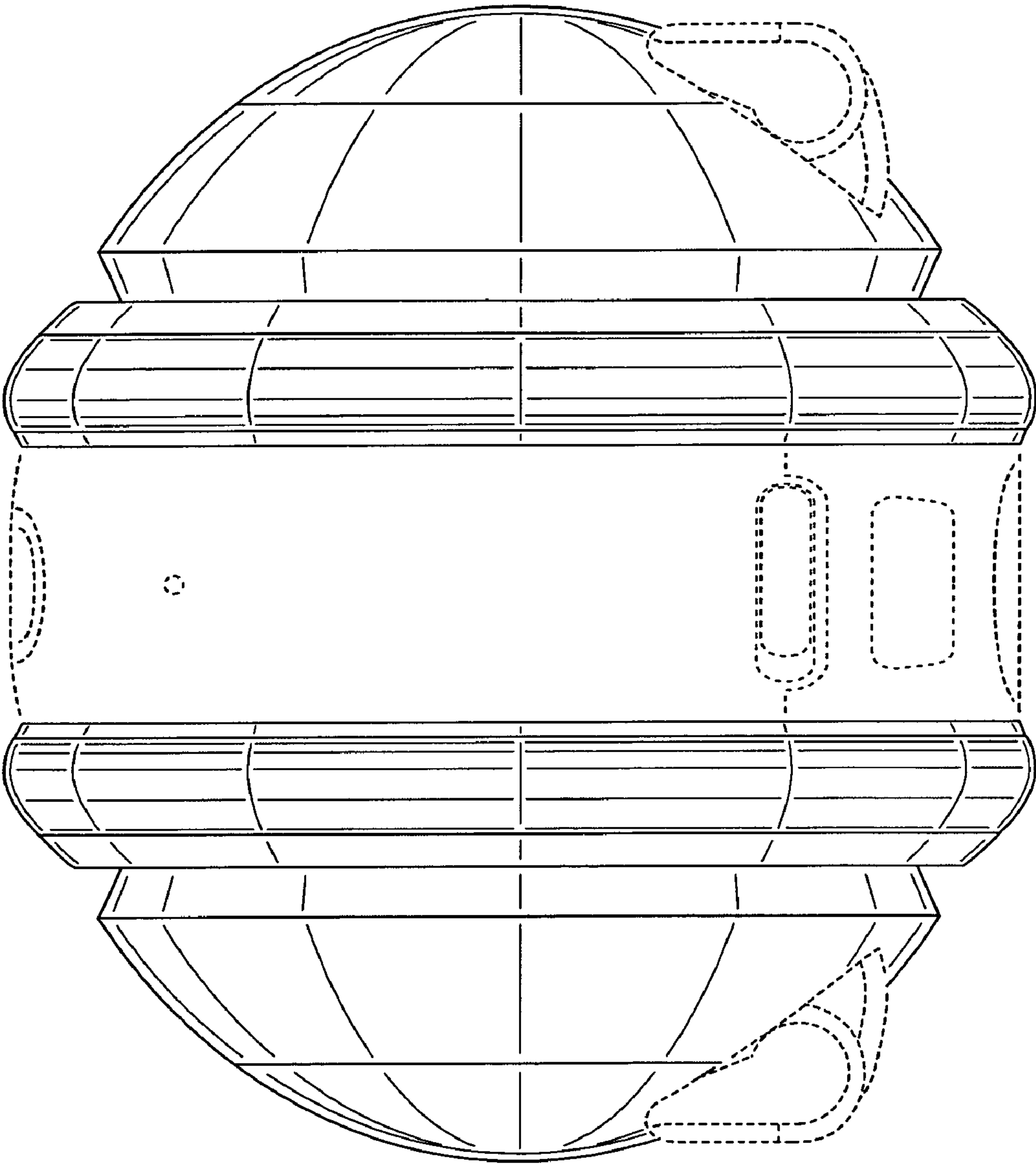


FIG.15

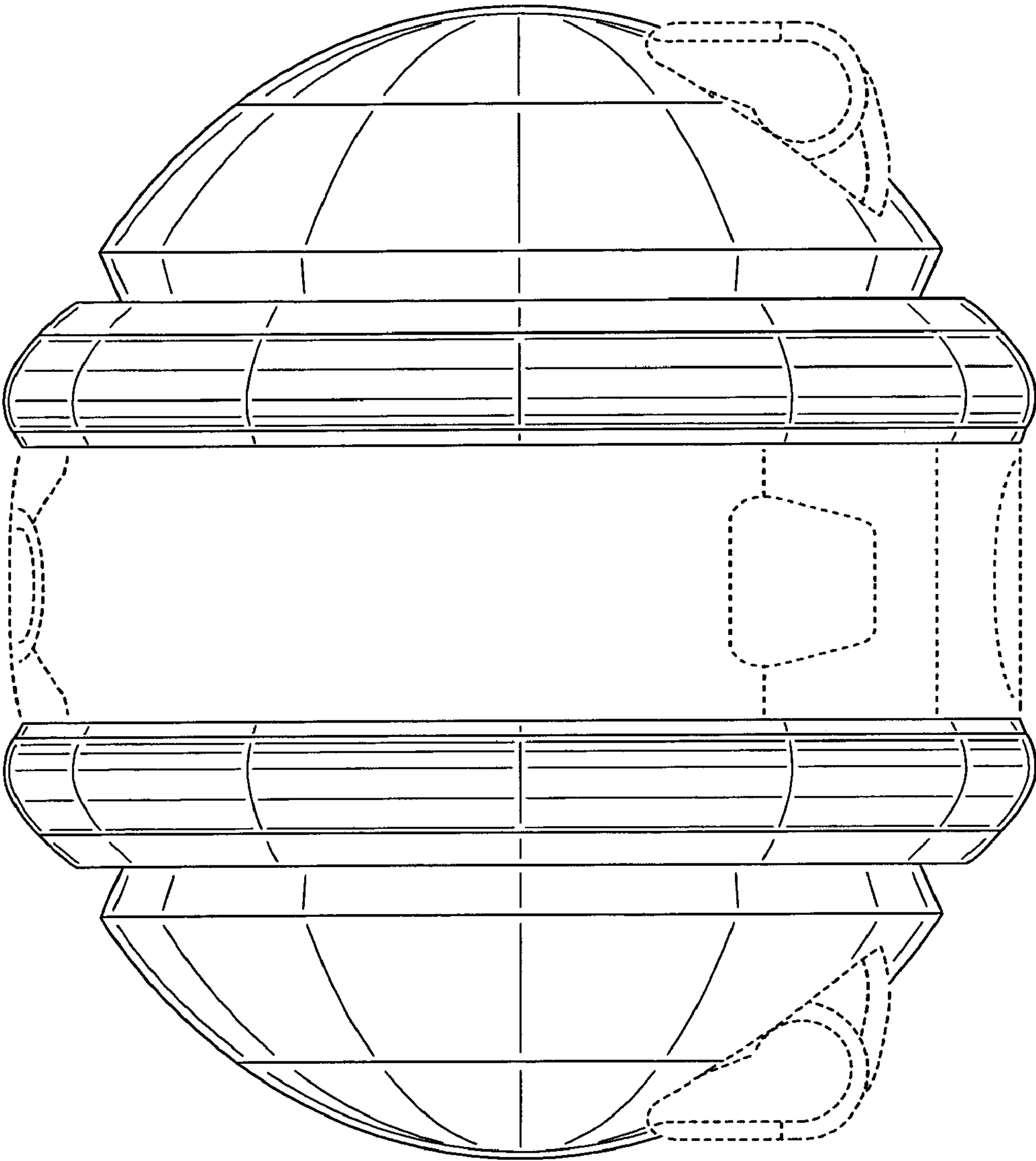


FIG.16

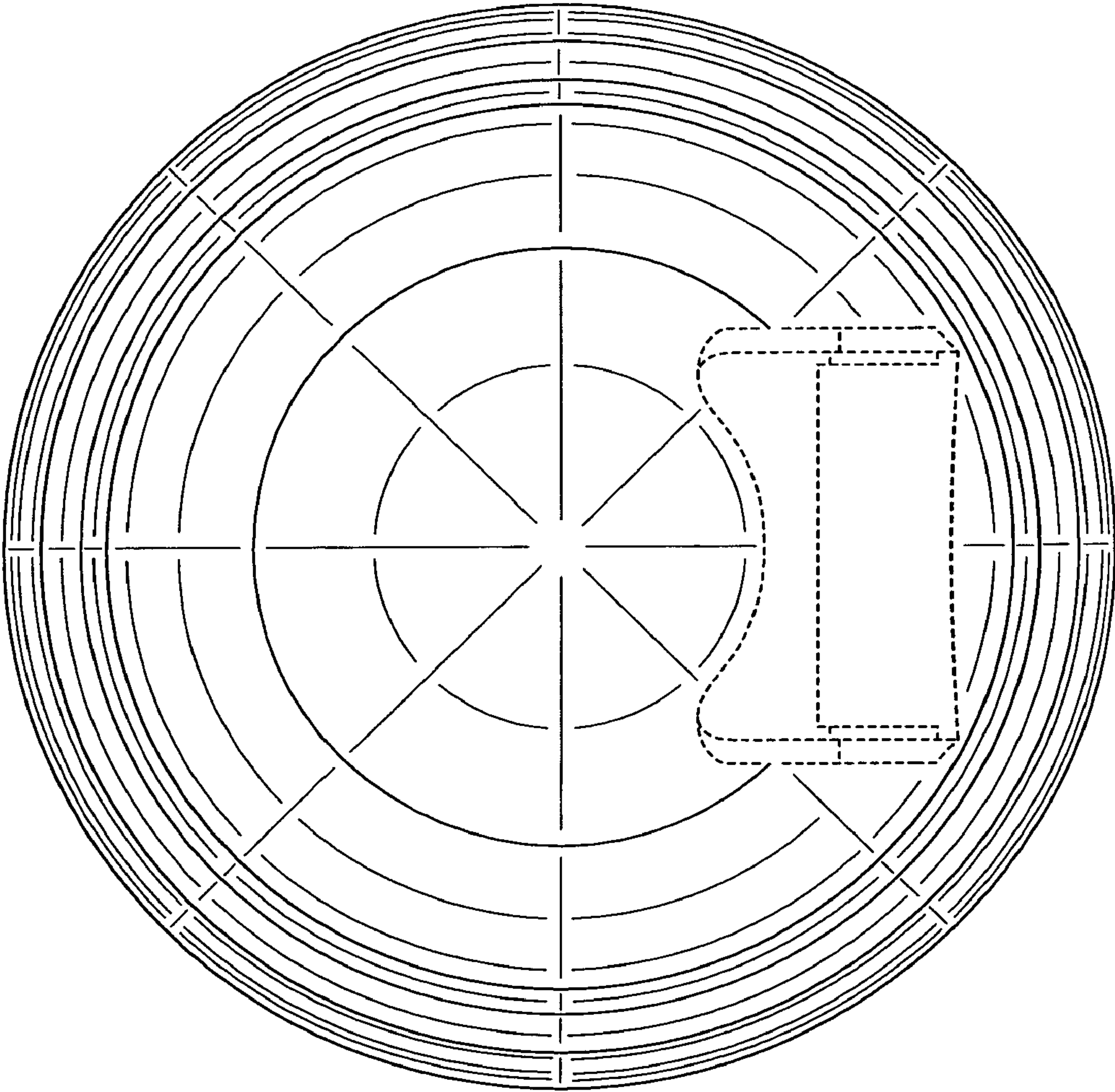


FIG.17

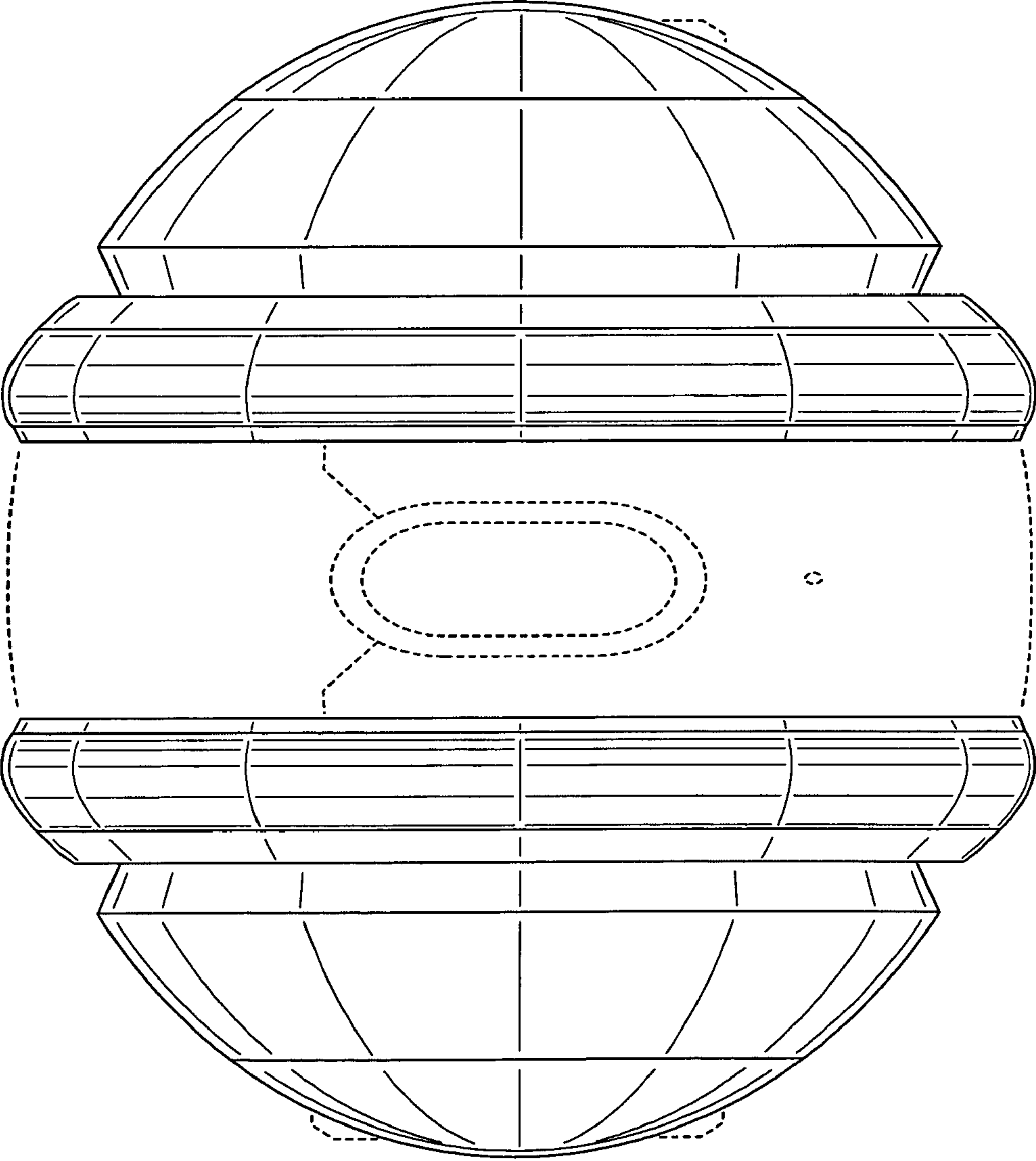


FIG.18

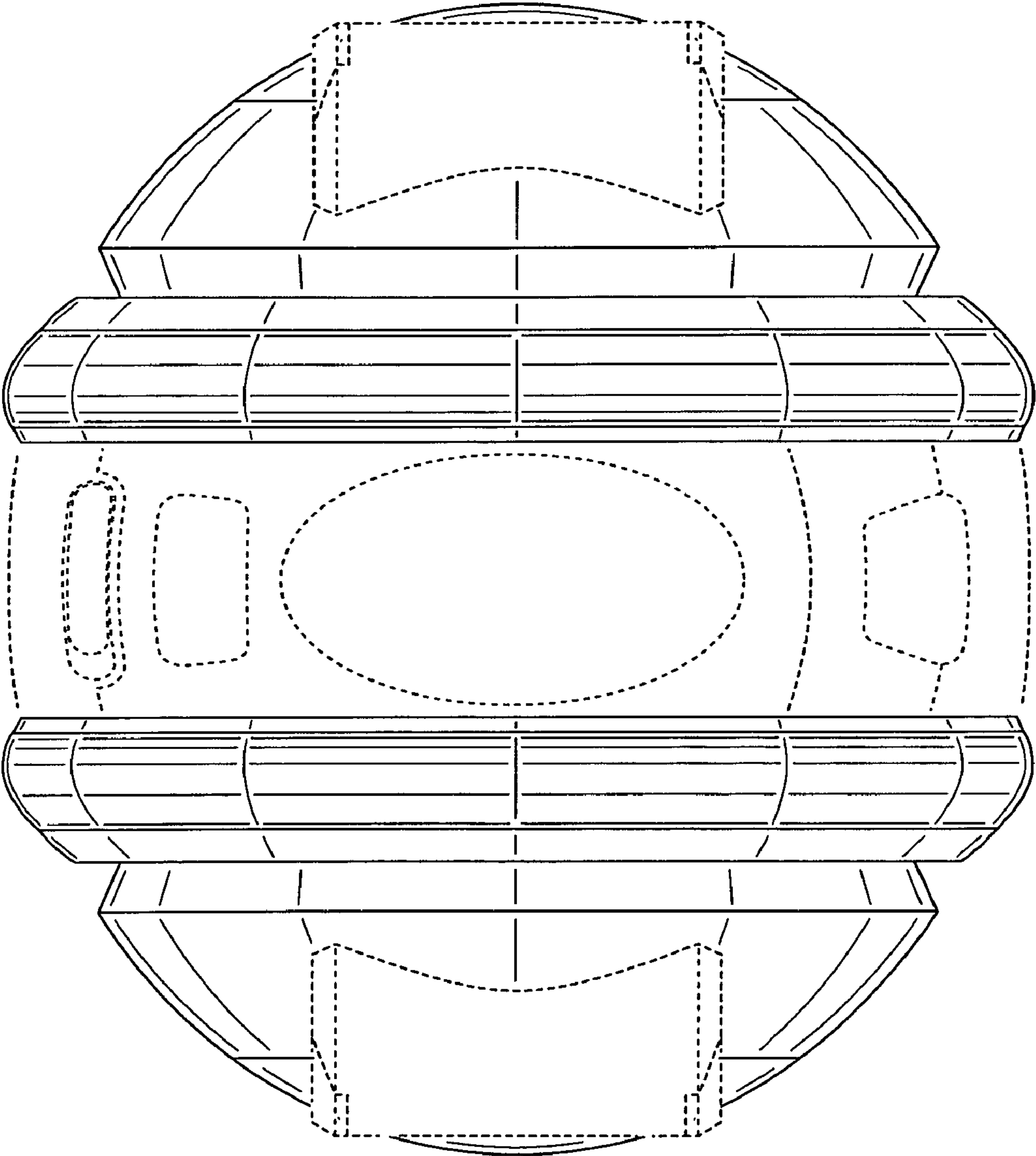


FIG. 19

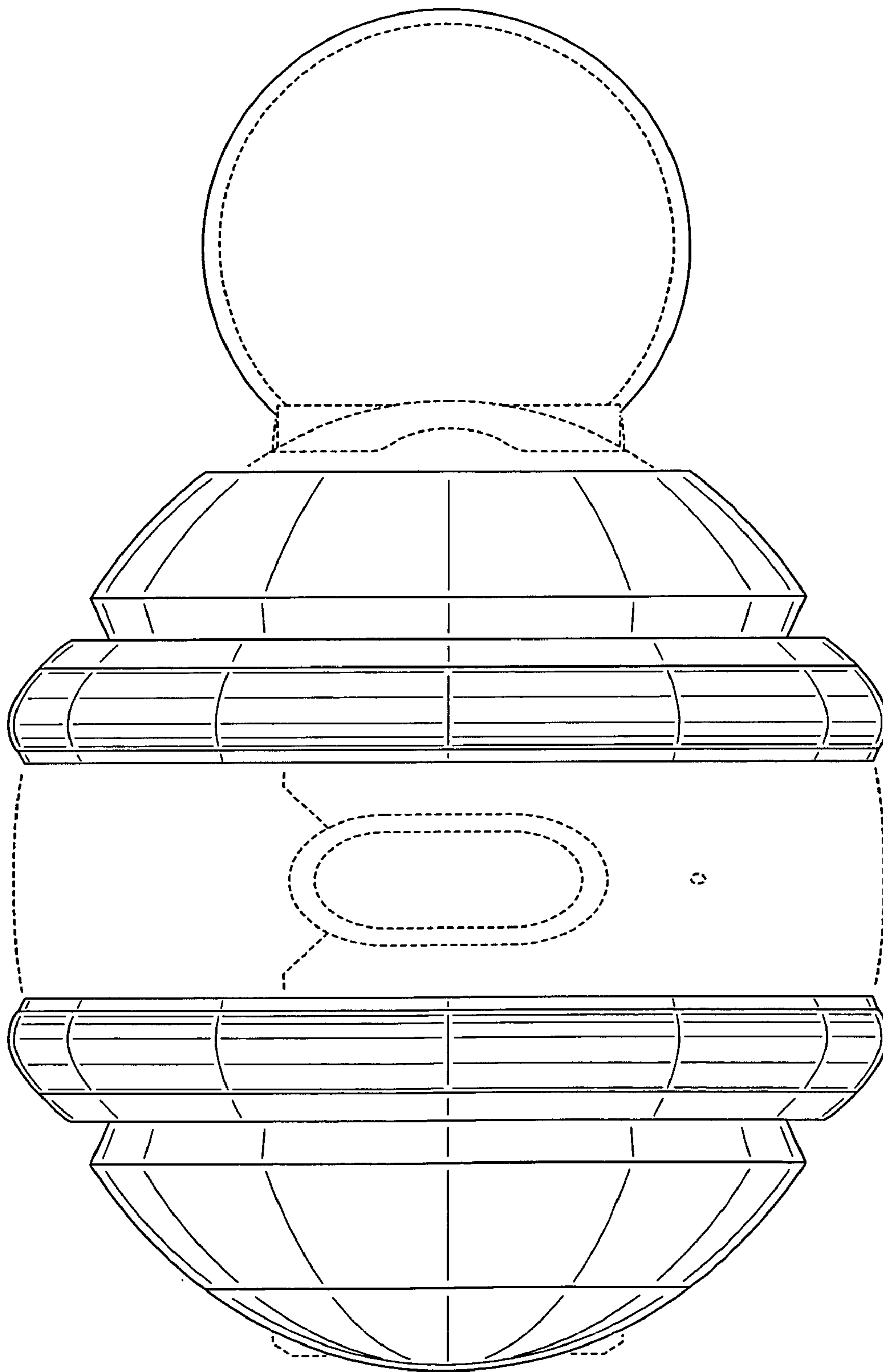


FIG. 20

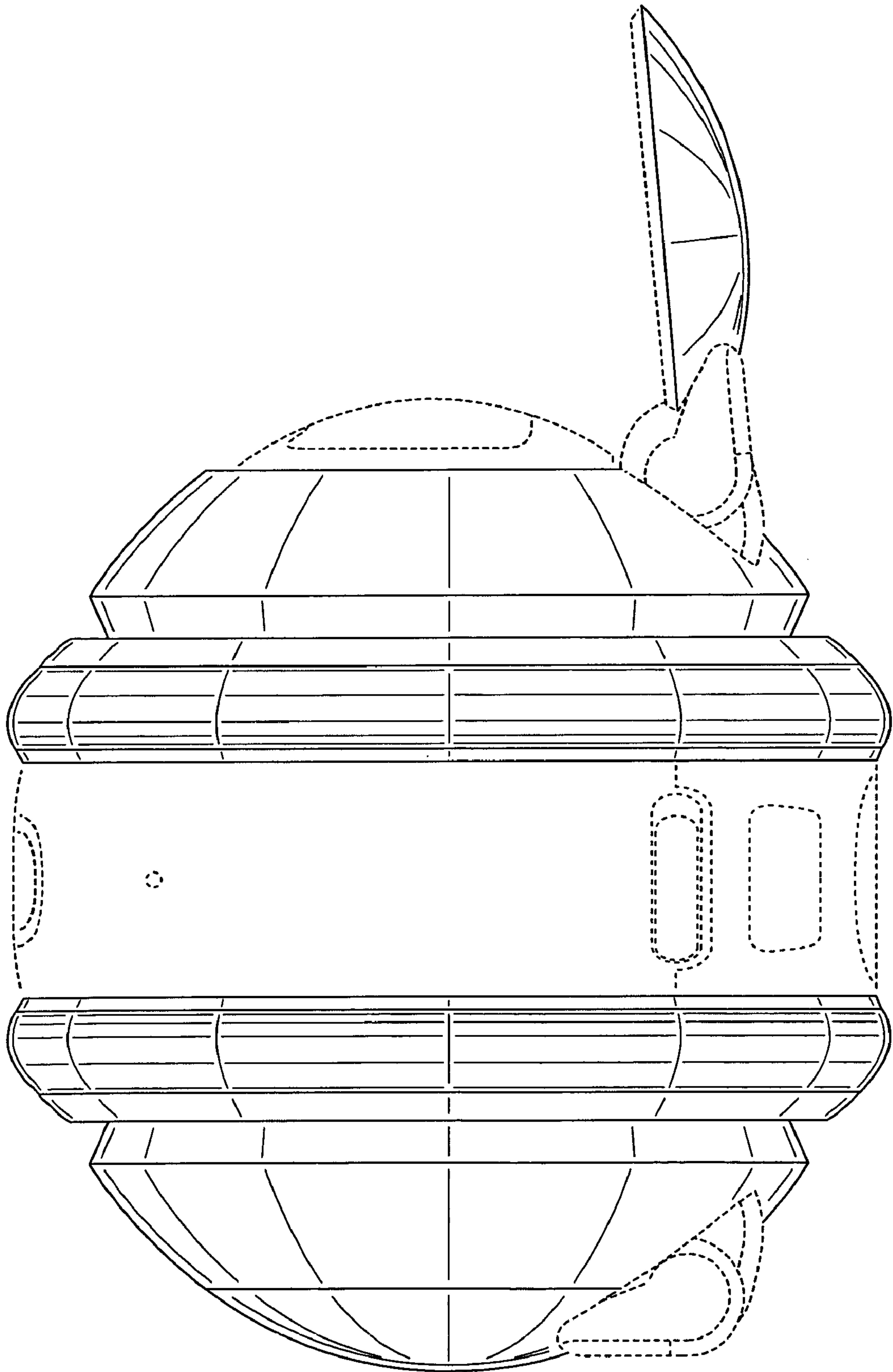


FIG.21

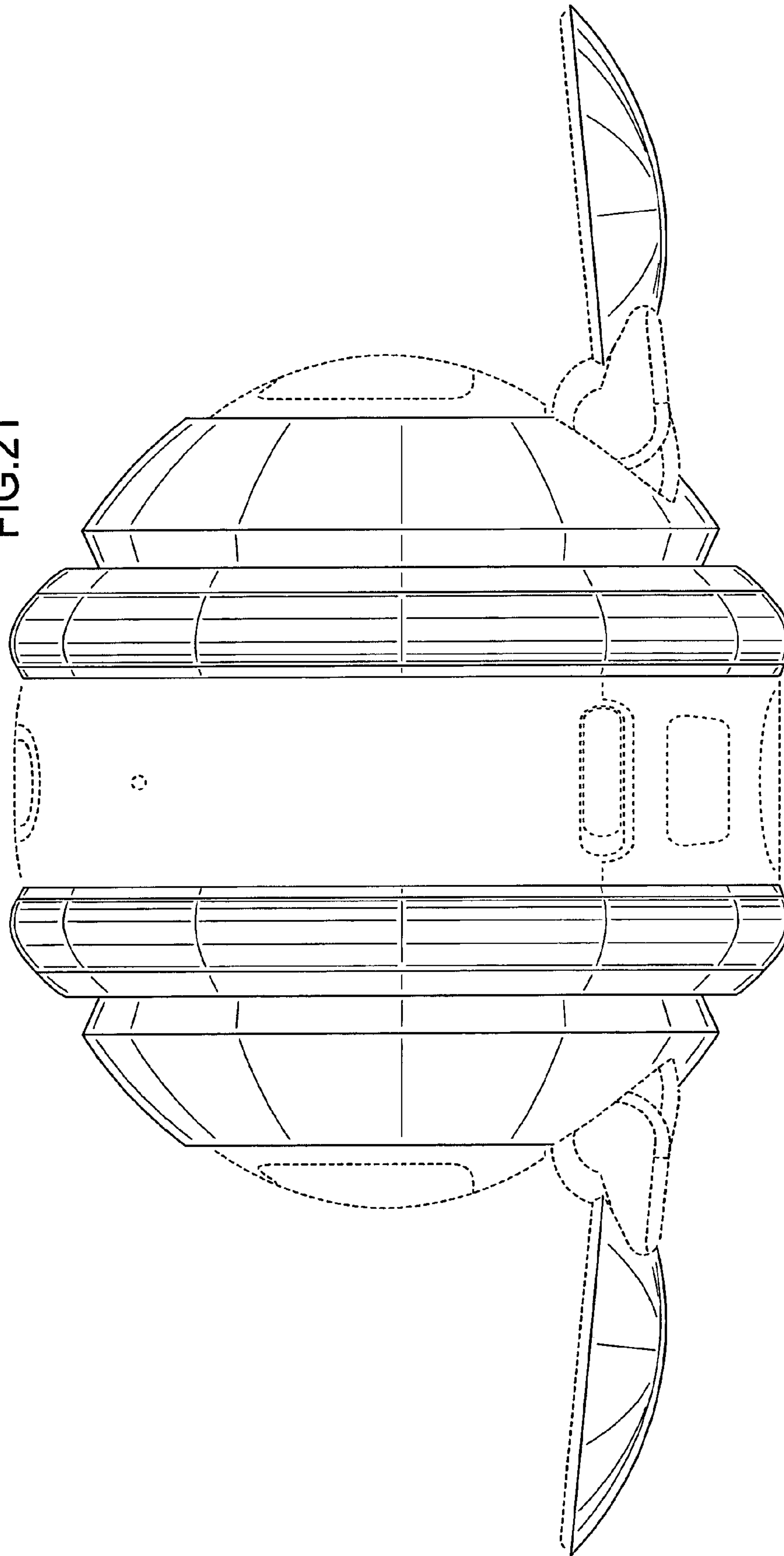


FIG.22

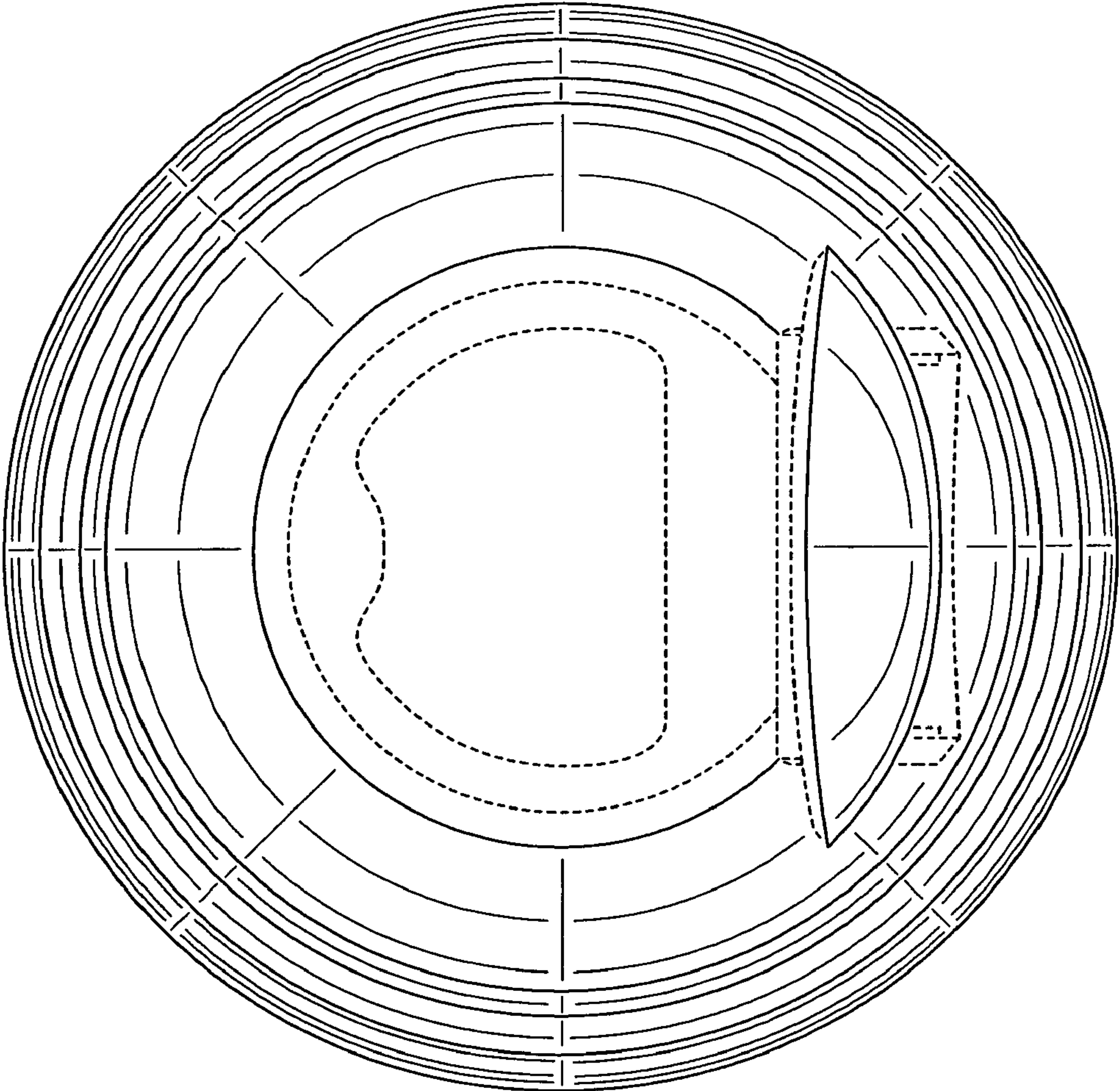


FIG. 23

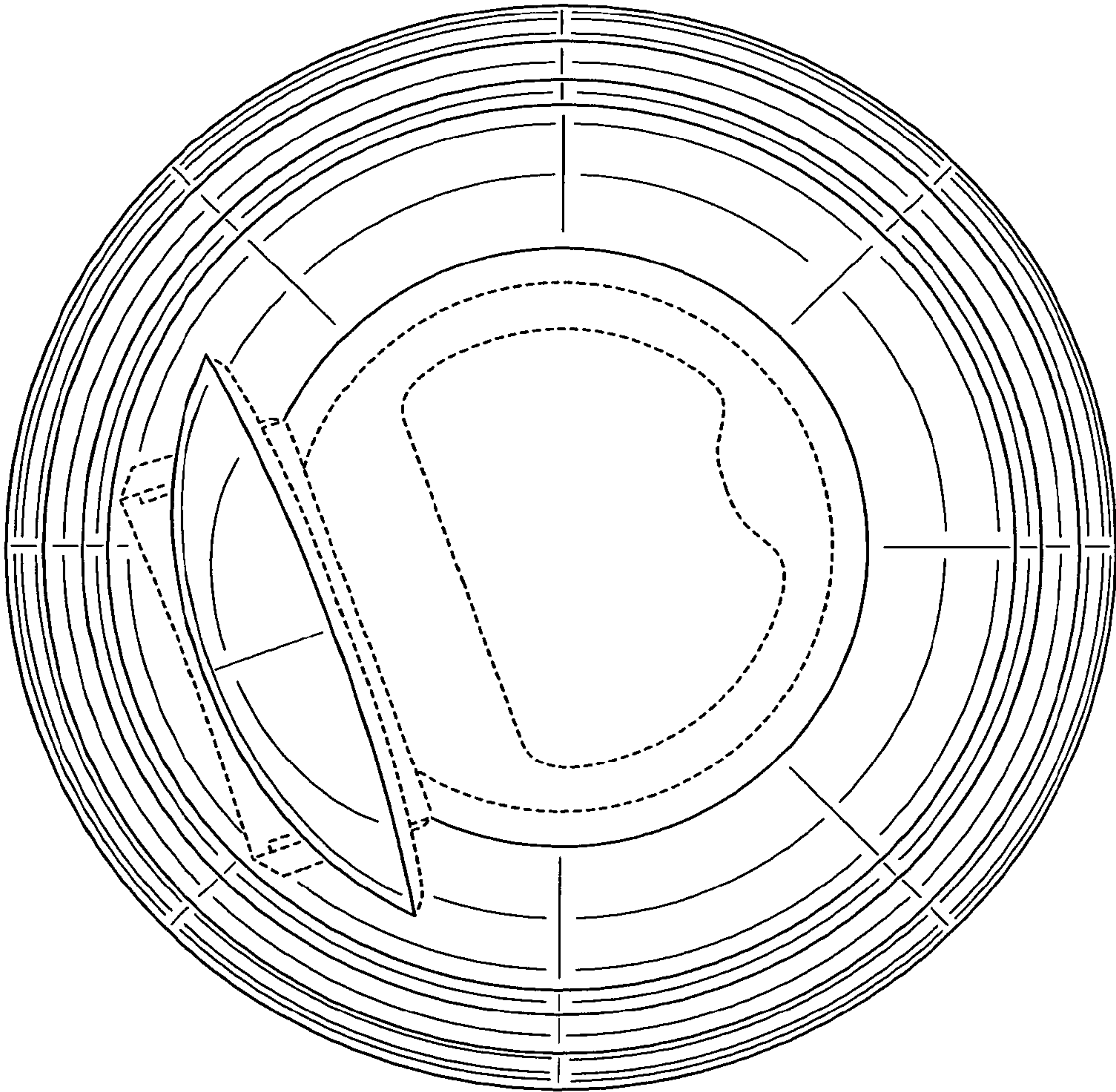


FIG.24

