



US00D601571S

(12) **United States Design Patent**
Vu et al.

(10) **Patent No.:** **US D601,571 S**
(45) **Date of Patent:** **** Oct. 6, 2009**

(54) **TRANSITIONAL IMAGE FOR A PORTION OF A DISPLAY SCREEN**

(75) Inventors: **Duy Minh Vu**, Paris (FR); **Guéno**
lé Gicquel, Asnières-sur-Seine (FR); **Juba**
Hadjali, Aulnay-Sous-Bois (FR)

(73) Assignee: **Dassault Systemes**, Suresnes, Cedex
(FR)

(**) Term: **14 Years**

(21) Appl. No.: **29/327,429**

(22) Filed: **Nov. 5, 2008**

(51) **LOC (9) Cl.** **32-00**

(52) **U.S. Cl.** **D14/485**

(58) **Field of Classification Search** D14/485-495;
705/28; 715/700, 703, 709, 712, 716, 719,
715/720, 721, 727, 728, 752, 753, 757, 768,
715/771, 772, 777, 782, 808, 809, 810, 812,
715/819, 820, 821, 825, 833, 834, 835, 836,
715/837, 838, 839, 840, 841, 842, 843, 846,
715/848, 849, 850, 851, 852, 856, 861, 864,
715/961, 962, 963, 970, 977
See application file for complete search history.

(56) **References Cited**

U.S. PATENT DOCUMENTS

D432,100 S	*	10/2000	Zink et al.	D14/490
D458,611 S	*	6/2002	Gallo	D14/485
D492,695 S	*	7/2004	Suzuki et al.	D14/489
D493,471 S	*	7/2004	McIntosh	D14/485
D532,017 S	*	11/2006	Gusmorino et al.	D14/492
D542,301 S	*	5/2007	Harvey	D14/489
D550,696 S	*	9/2007	Kortum et al.	D14/491

D561,193 S	*	2/2008	O'Mullan et al.	D14/489
D590,838 S	*	4/2009	Bisig et al.	D14/492
D591,305 S	*	4/2009	Shimoda	D14/485
D593,107 S	*	5/2009	Shimoda et al.	D14/485
2006/0224998 A1	*	10/2006	Riss et al.	715/848
2008/0161997 A1	*	7/2008	Wengelnik et al.	701/36

FOREIGN PATENT DOCUMENTS

EM	000259262-0008	*	11/2004
EM	000705264-0010	*	4/2007

* cited by examiner

Primary Examiner—Jennifer Rivard

Assistant Examiner—Angela J Lee

(74) *Attorney, Agent, or Firm*—Hamilton, Brook, Smith & Reynolds, P.C.

(57) **CLAIM**

The ornamental design for a transitional image for a portion of a display screen, as shown and described.

DESCRIPTION

FIG. 1 is a front view of the first image of a transitional image for a portion of a display screen showing our new design;

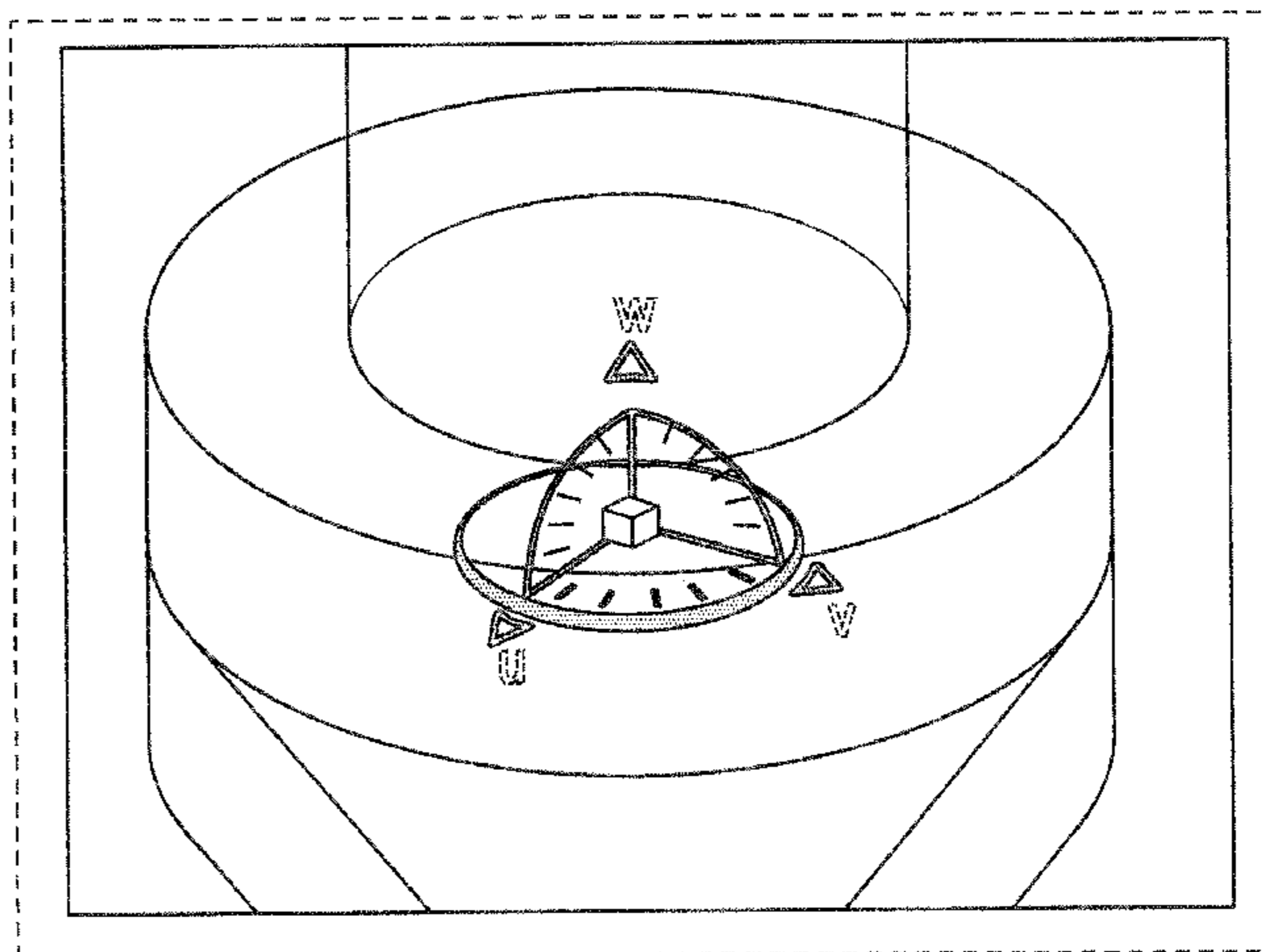
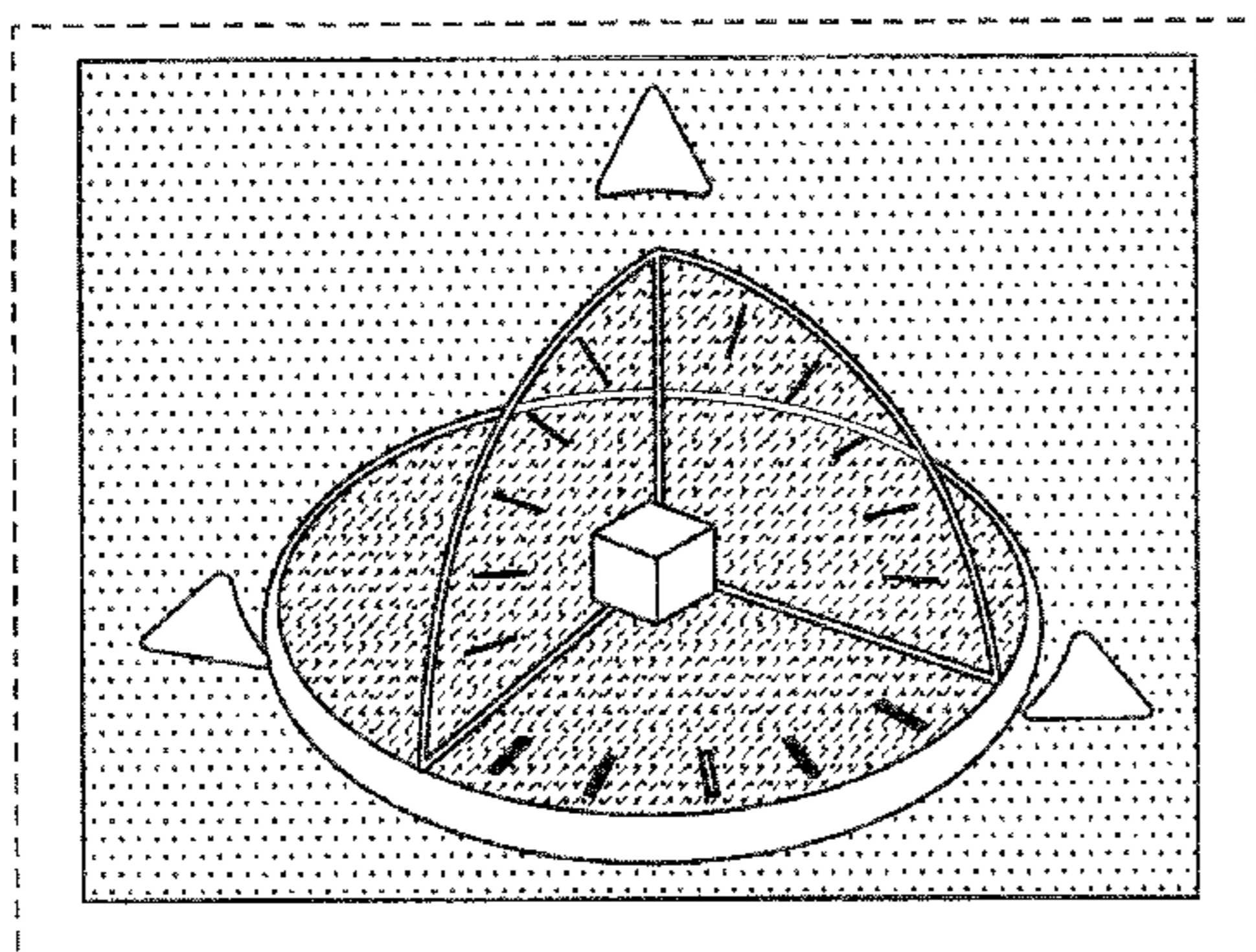
FIG. 2 is a front view of the second image thereof;

FIG. 3 is a front view of the third image thereof; and,

FIG. 4 is a front view of the fourth image thereof.

The appearance of the image transitions sequentially between the images shown in FIGS. 1-4. The process or period in which one image transitions to another forms no part of the claimed design. The broken line drawing of the display screen and various graphical representations in all views is for illustrative purposes only and forms no part of the claimed design.

1 Claim, 2 Drawing Sheets



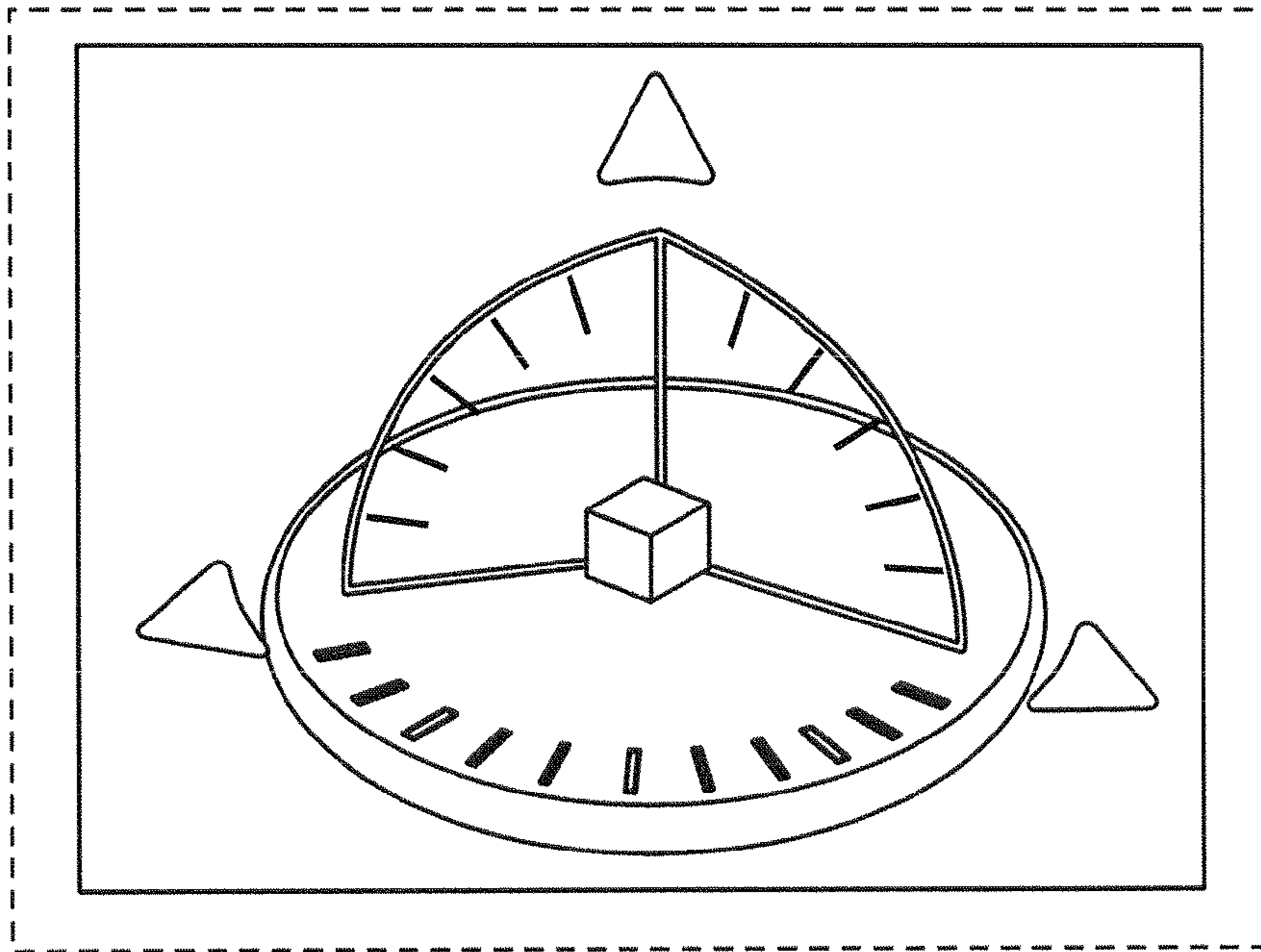


FIG. 1

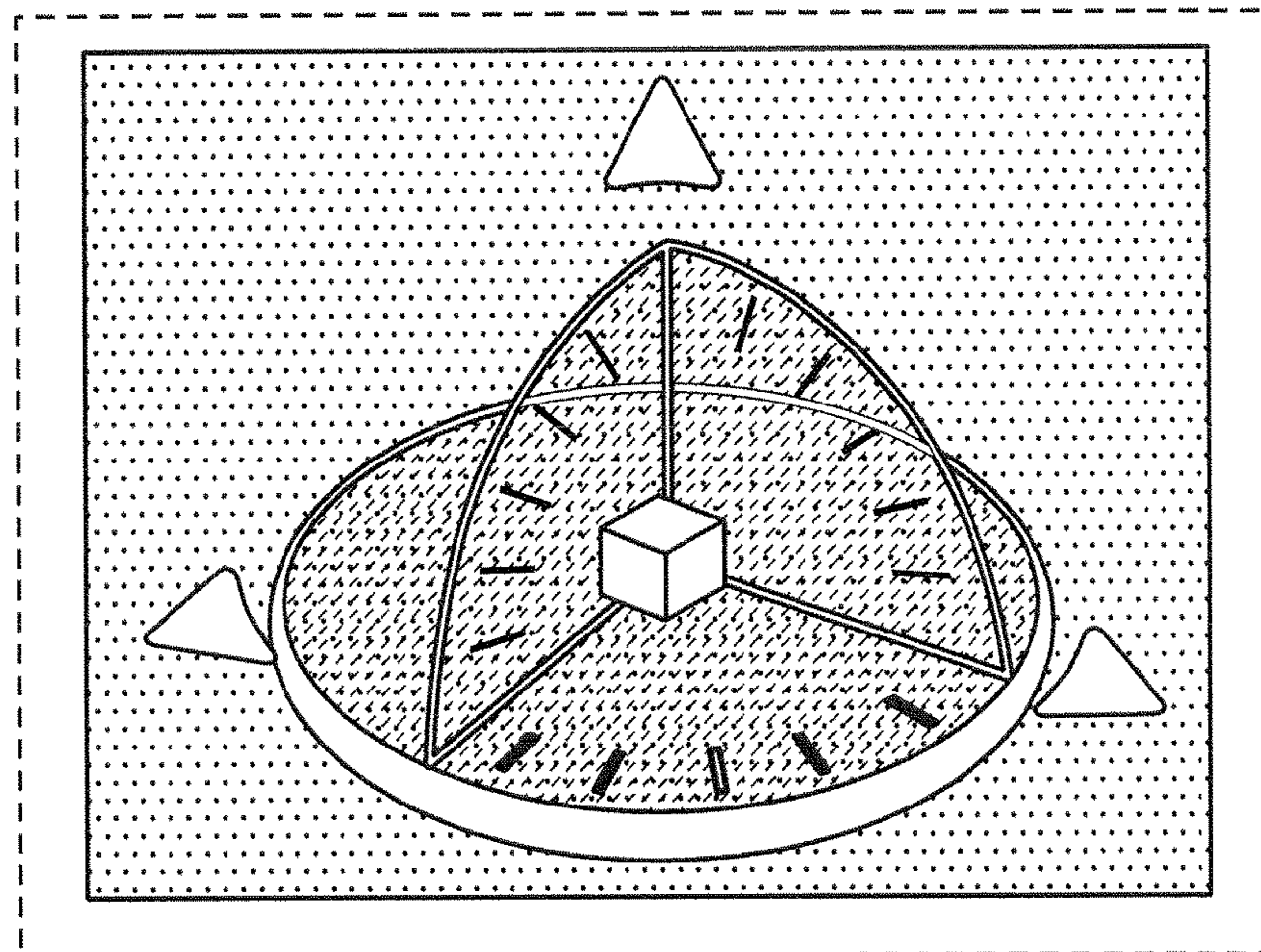


FIG. 2

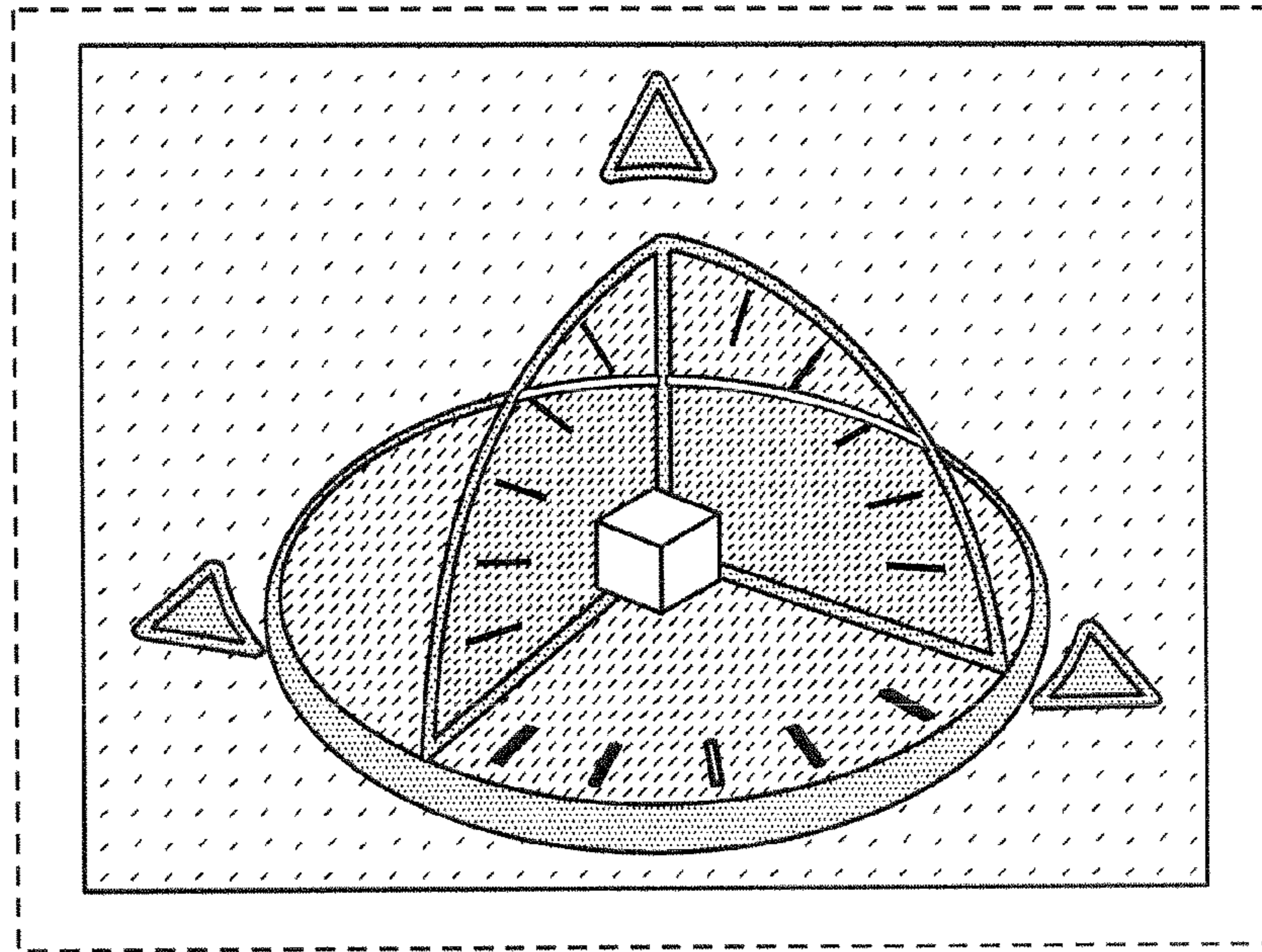


FIG. 3

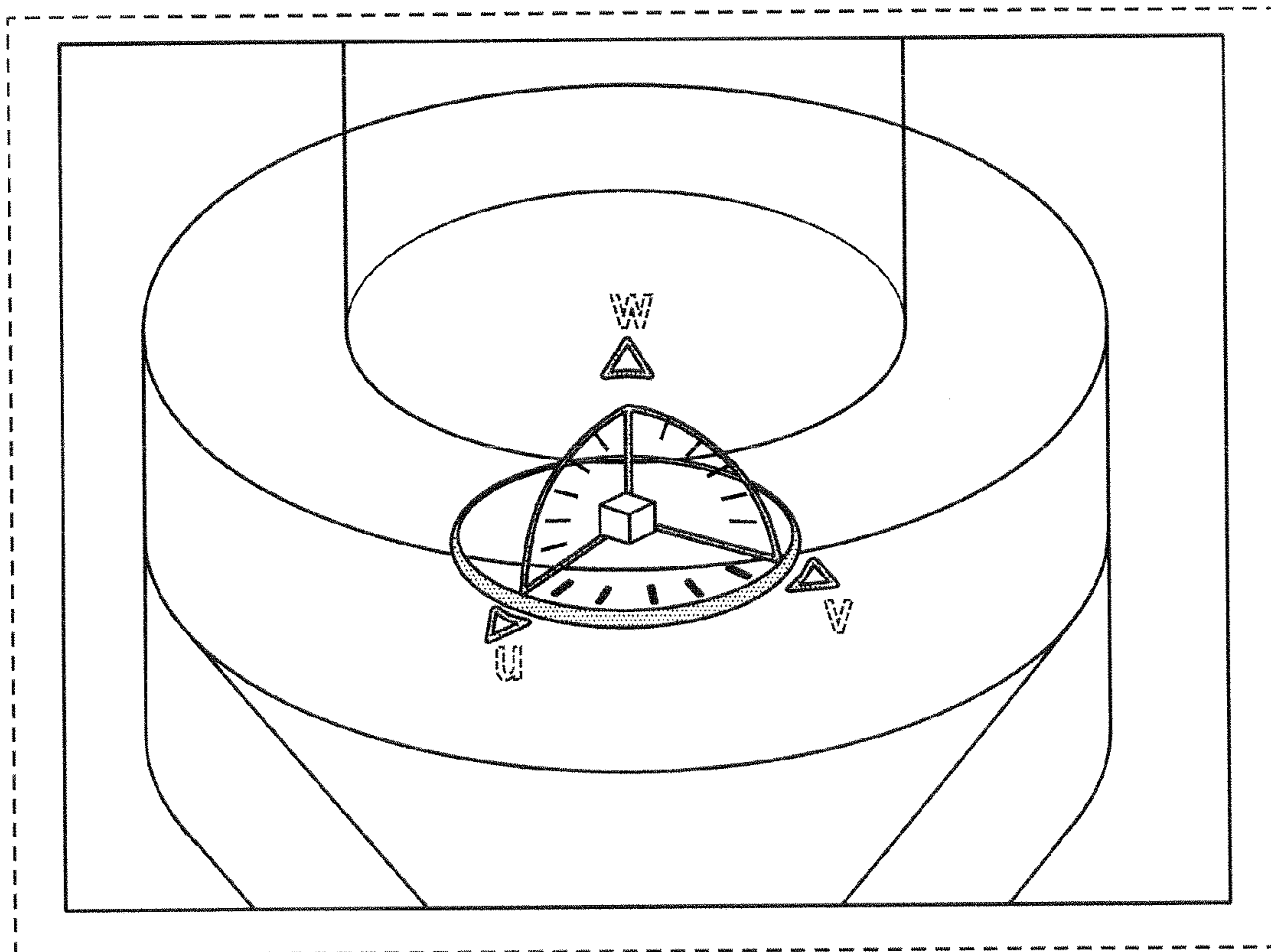


FIG. 4