

US00D601562S

(12) **United States Design Patent**  
**Chiu**

(10) **Patent No.:** **US D601,562 S**

(45) **Date of Patent:** **\*\* Oct. 6, 2009**

(54) **DISPLAY**

(75) Inventor: **Yi-Chung Chiu**, Taoyuan County (TW)

(73) Assignee: **Hannspree, Inc.**, Taipei (TW)

(\*\*) Term: **14 Years**

(21) Appl. No.: **29/309,924**

(22) Filed: **Nov. 12, 2008**

(51) **LOC (9) Cl.** ..... **14-02**

(52) **U.S. Cl.** ..... **D14/371**

(58) **Field of Classification Search** ..... D14/371-375,  
D14/336, 337, 341, 320, 331, 125-129; 341/12,  
341/22; 345/104, 156, 168, 173, 901-905;  
348/180, 184, 325, 837; 349/1, 2, 11, 62;  
361/679.08, 679.23

See application file for complete search history.

(56) **References Cited**

**U.S. PATENT DOCUMENTS**

D416,875 S \* 11/1999 Chuo et al. .... D14/375  
D477,320 S \* 7/2003 Peng et al. .... D14/375  
D494,941 S \* 8/2004 Kim ..... D14/126

6,807,051 B2 \* 10/2004 Takahashi ..... 361/679.23  
D522,509 S \* 6/2006 Park et al. .... D14/375  
D544,861 S \* 6/2007 Hwang ..... D14/375  
D551,186 S \* 9/2007 Yang et al. .... D14/126  
D561,130 S \* 2/2008 Won et al. .... D14/126

\* cited by examiner

*Primary Examiner*—Freda S Nunn

(74) *Attorney, Agent, or Firm*—Ditthavong Mori & Steiner,  
P.C.

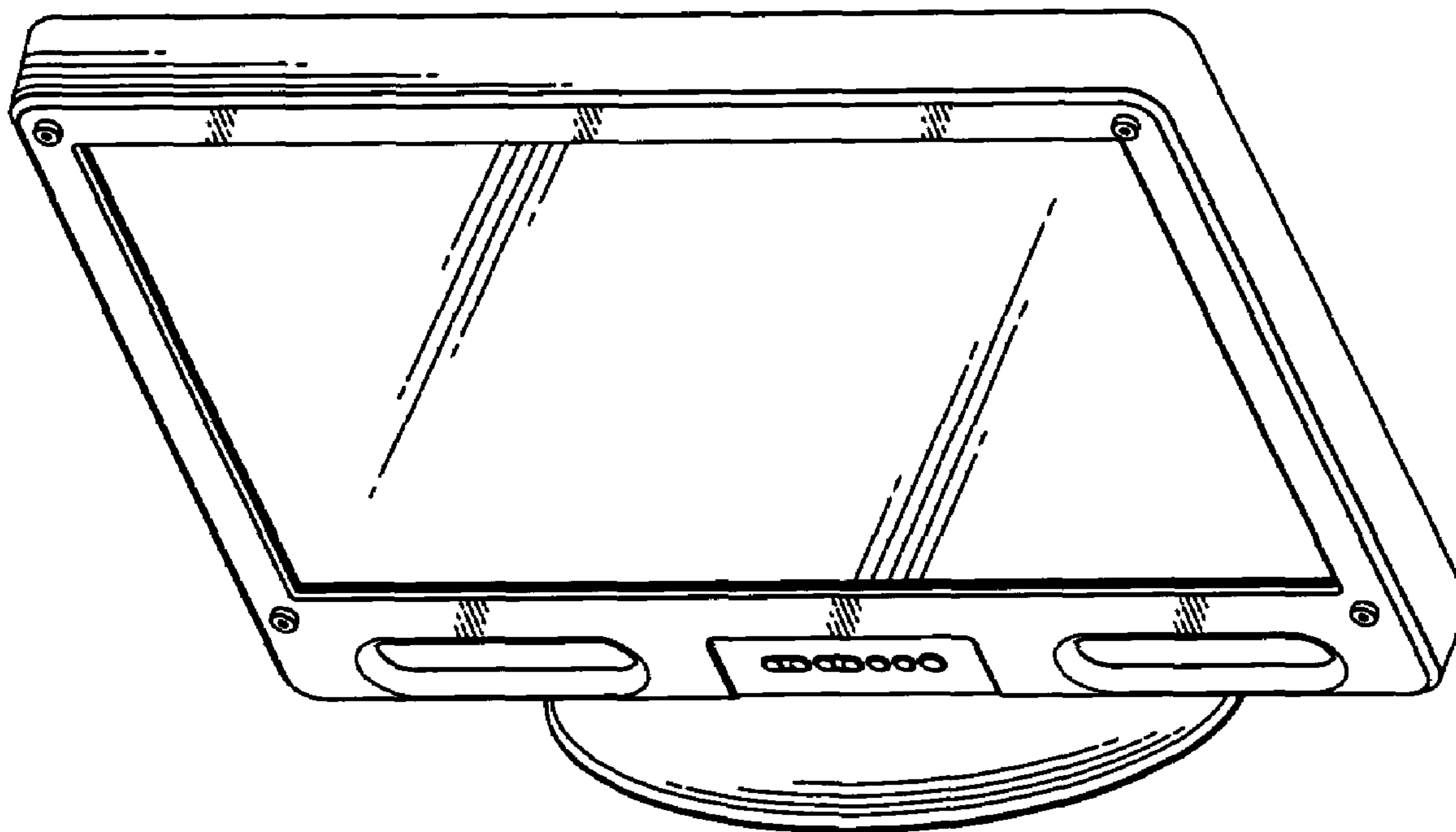
(57) **CLAIM**

The ornamental design for a display, as shown and described.

**DESCRIPTION**

FIG. 1 is a front perspective view thereof;  
FIG. 2 is a front elevational view thereof;  
FIG. 3 is a rear elevational view thereof,  
FIG. 4 is a left side elevational view thereof;  
FIG. 5 is a right side elevational view thereof;  
FIG. 6 is a top plan view thereof; and,  
FIG. 7 is a bottom plan view thereof.

**1 Claim, 7 Drawing Sheets**



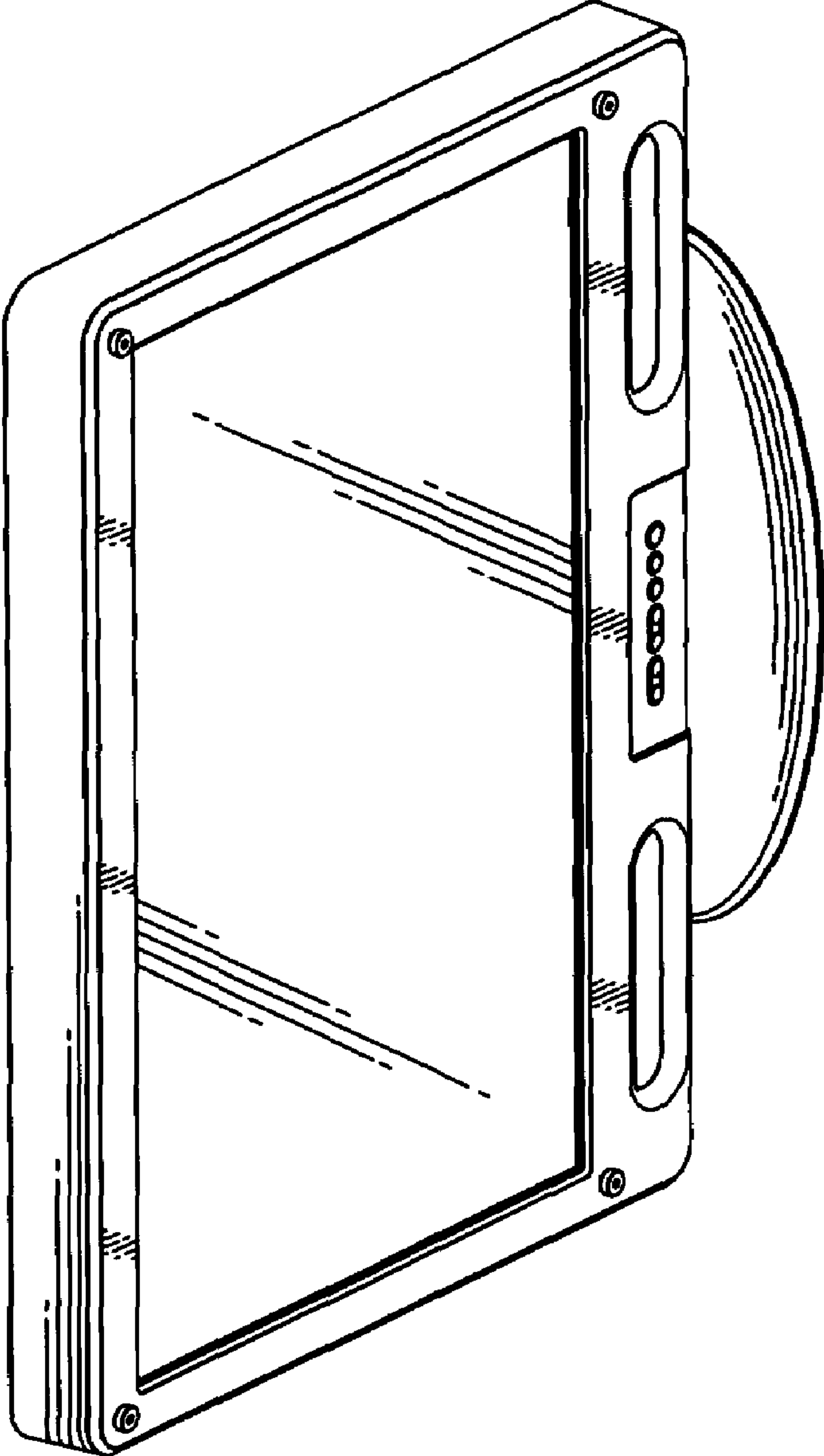


Fig. 1

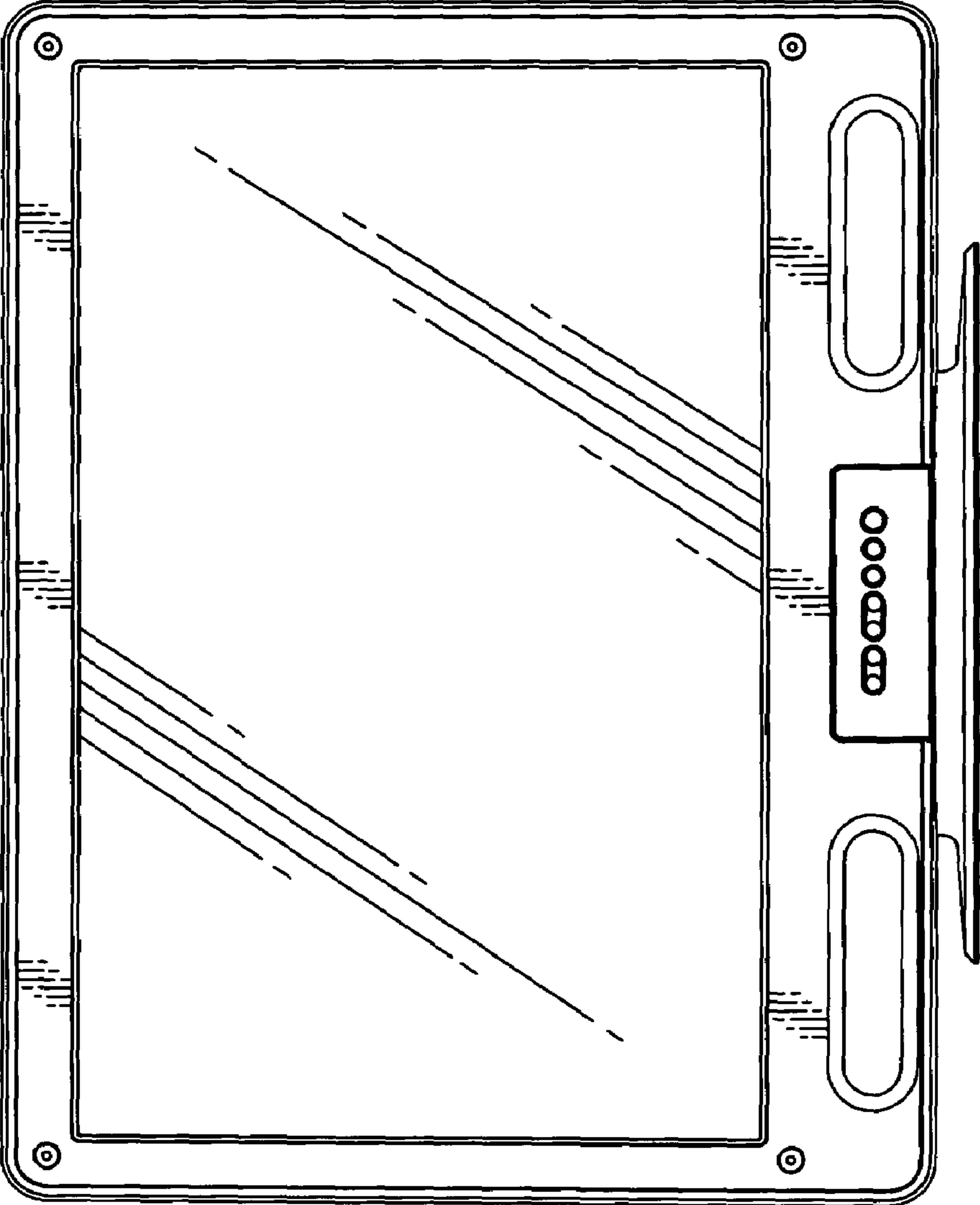


Fig. 2

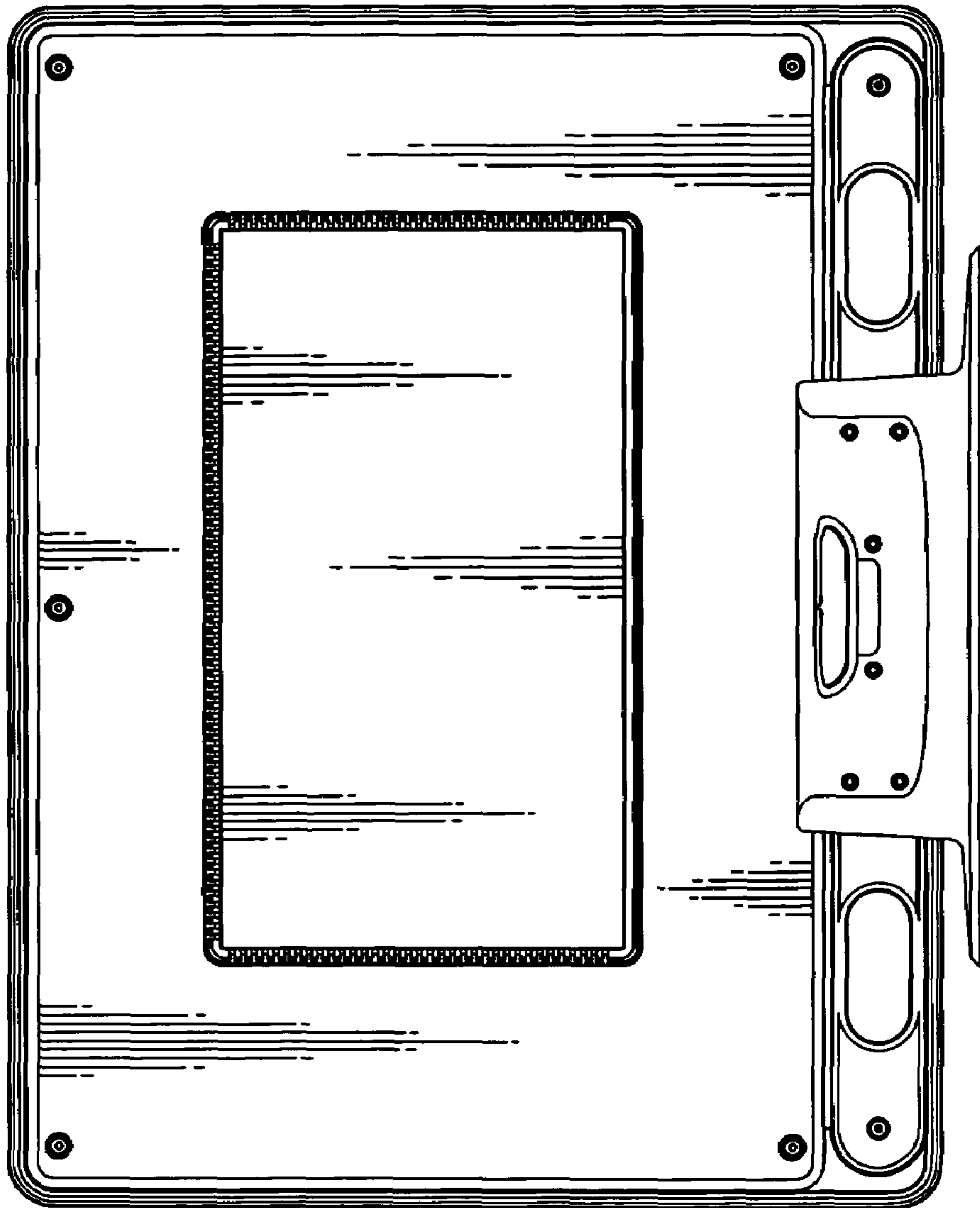


Fig. 3

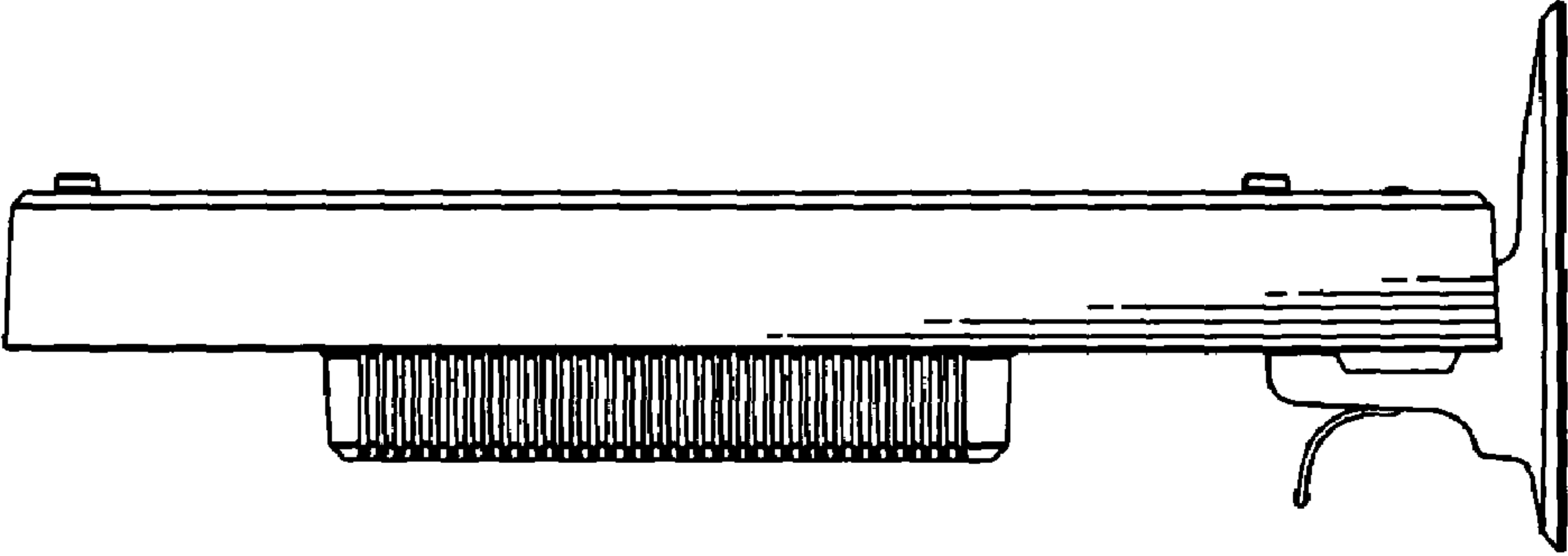


Fig. 4

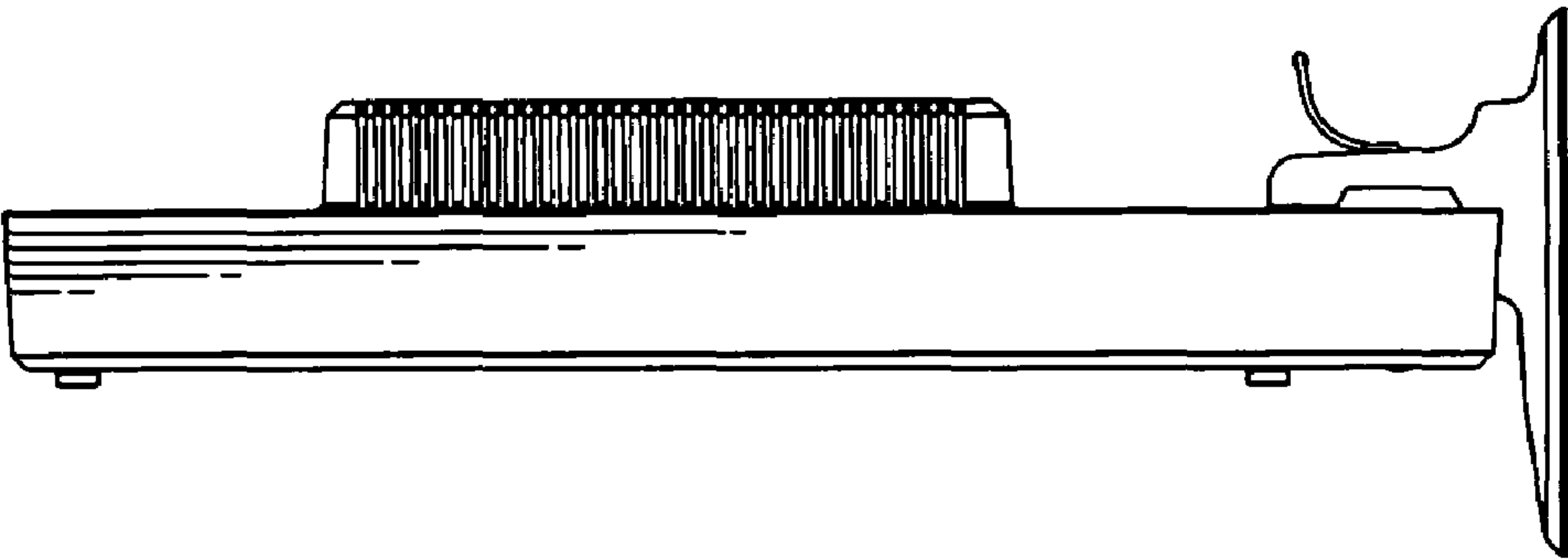


Fig. 5

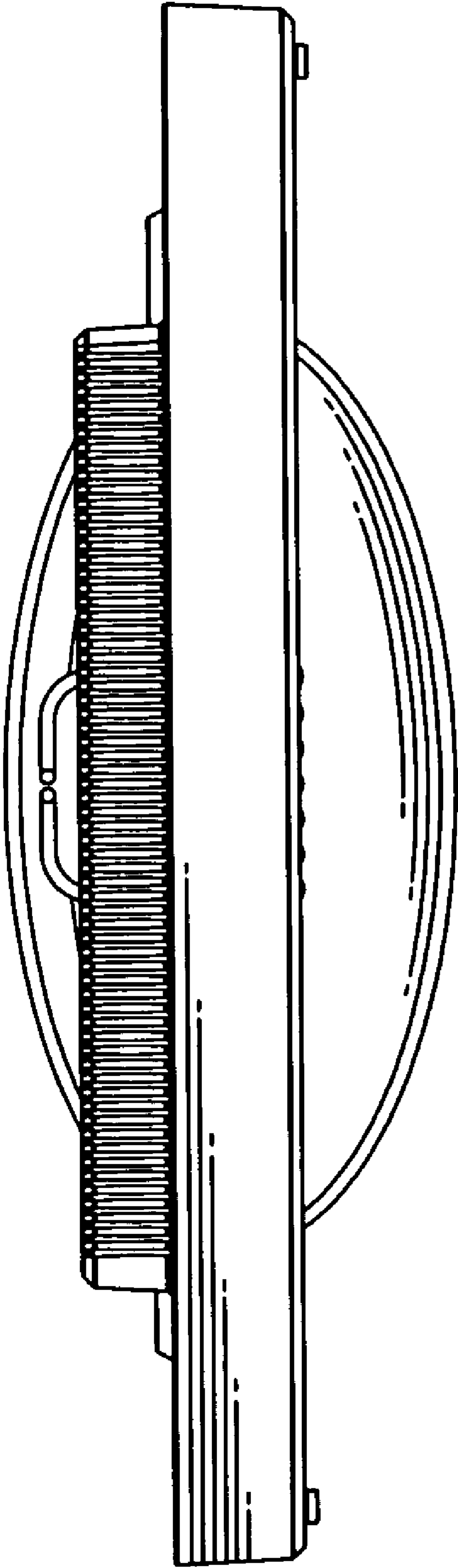


Fig. 6

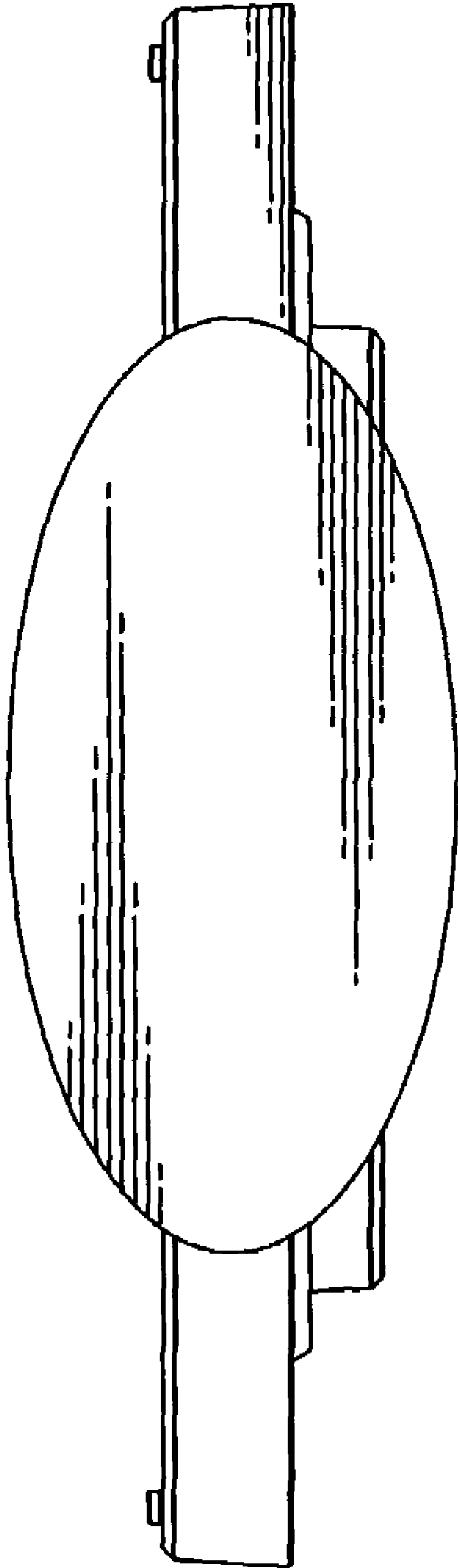


Fig. 7