



US00D601555S

(12) **United States Design Patent**  
**Zhang et al.**

(10) **Patent No.:** **US D601,555 S**  
(45) **Date of Patent:** **\*\* Oct. 6, 2009**

(54) **COMPUTER**

(75) Inventors: **Yu Zhang**, Shenzhen (CN); **Tay-Yang Lin**, Taipei Hsien (TW)

(73) Assignee: **Hon Hai Precision Industry Co., Ltd.**, Tu-Cheng, Taipei Hsien (TW)

(\*\*) Term: **14 Years**

(21) Appl. No.: **29/325,354**

(22) Filed: **Sep. 30, 2008**

(30) **Foreign Application Priority Data**

Jun. 6, 2008 (CN) ..... 2008 3 0300782

(51) **LOC (9) Cl.** ..... **14-02**

(52) **U.S. Cl.** ..... **D14/300; D14/314**

(58) **Field of Classification Search** ..... D14/300-303, D14/308, 314, 349, 351, 337, 355, 172, 218, D14/240; D13/184, 199; D6/432, 436; 312/223.1-223.3; 360/99.01-99.12; 361/680-686, 690-696; 369/34.01, 36.01; D9/414, 431; D10/21; 341/22

See application file for complete search history.

(56) **References Cited**

**U.S. PATENT DOCUMENTS**

D249,240 S \* 9/1978 Klitzner ..... D9/414  
D274,056 S \* 5/1984 Myer ..... D14/172  
D337,315 S \* 7/1993 Riza ..... D14/355

D345,699 S \* 4/1994 Yang ..... D10/21  
D349,117 S \* 7/1994 Rasansky et al. .... D14/218  
D373,528 S \* 9/1996 Ser Tuen Wei ..... D9/431  
D376,600 S \* 12/1996 Vallillee et al. .... D14/240  
D424,536 S \* 5/2000 Sun et al. .... D14/337  
D432,537 S \* 10/2000 Lee ..... D14/351  
6,127,949 A \* 10/2000 Dodd ..... 341/22  
D506,193 S \* 6/2005 Shoushtari ..... D14/300

\* cited by examiner

*Primary Examiner*—Freda S Nunn

(74) *Attorney, Agent, or Firm*—Frank R. Niranjan

(57) **CLAIM**

The ornamental design for a computer, as shown and described.

**DESCRIPTION**

FIG. 1 is a perspective view of a computer showing our new design;

FIG. 2 is a front elevational view thereof;

FIG. 3 is a rear elevational view thereof;

FIG. 4 is a left side, elevational view thereof;

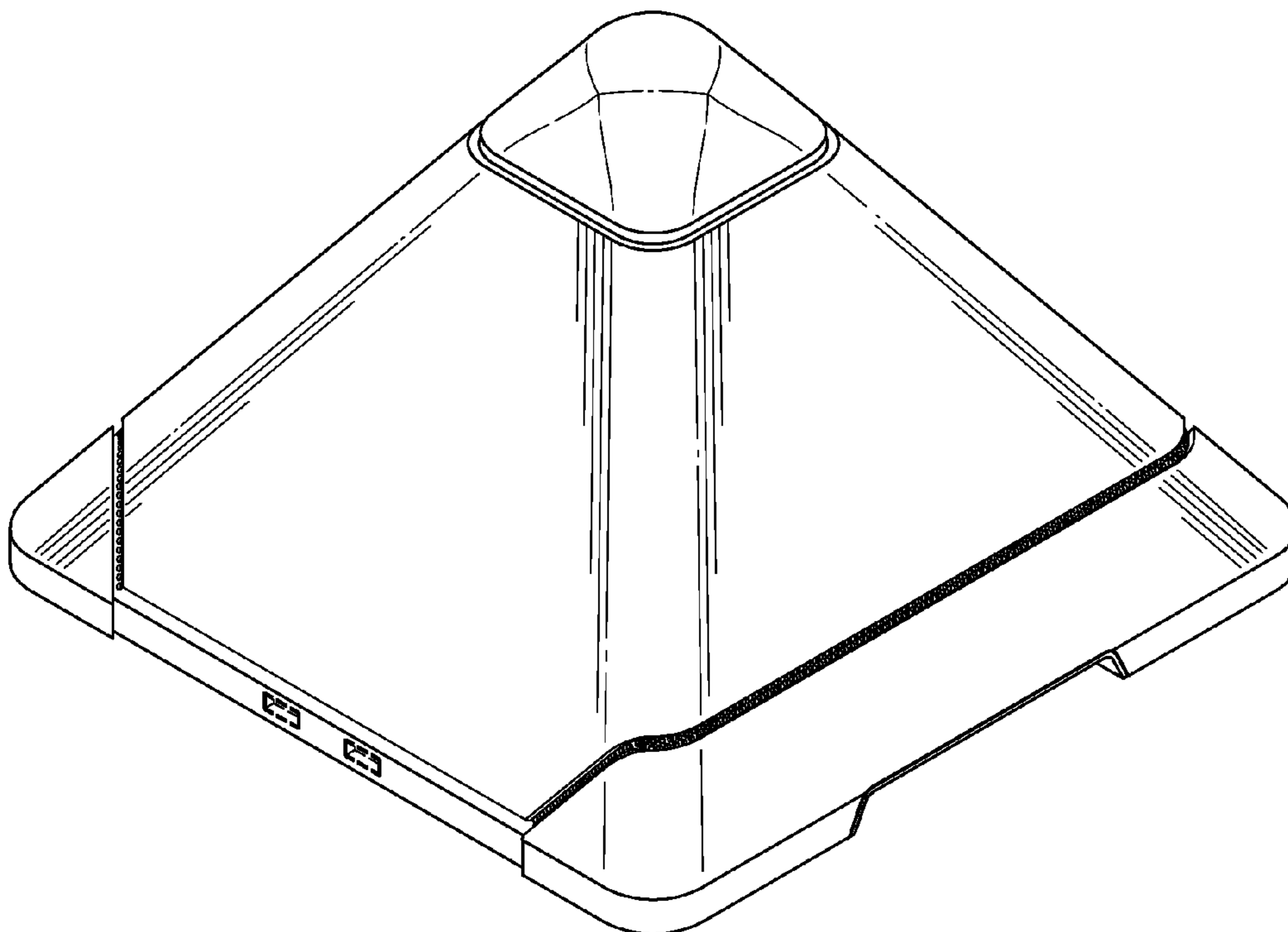
FIG. 5 is a right side, elevational view thereof;

FIG. 6 is a top plan view thereof; and,

FIG. 7 is a bottom plan view thereof.

Broken lines shown in the drawings illustrate portions of the computer and form no part of the claimed design.

**1 Claim, 7 Drawing Sheets**



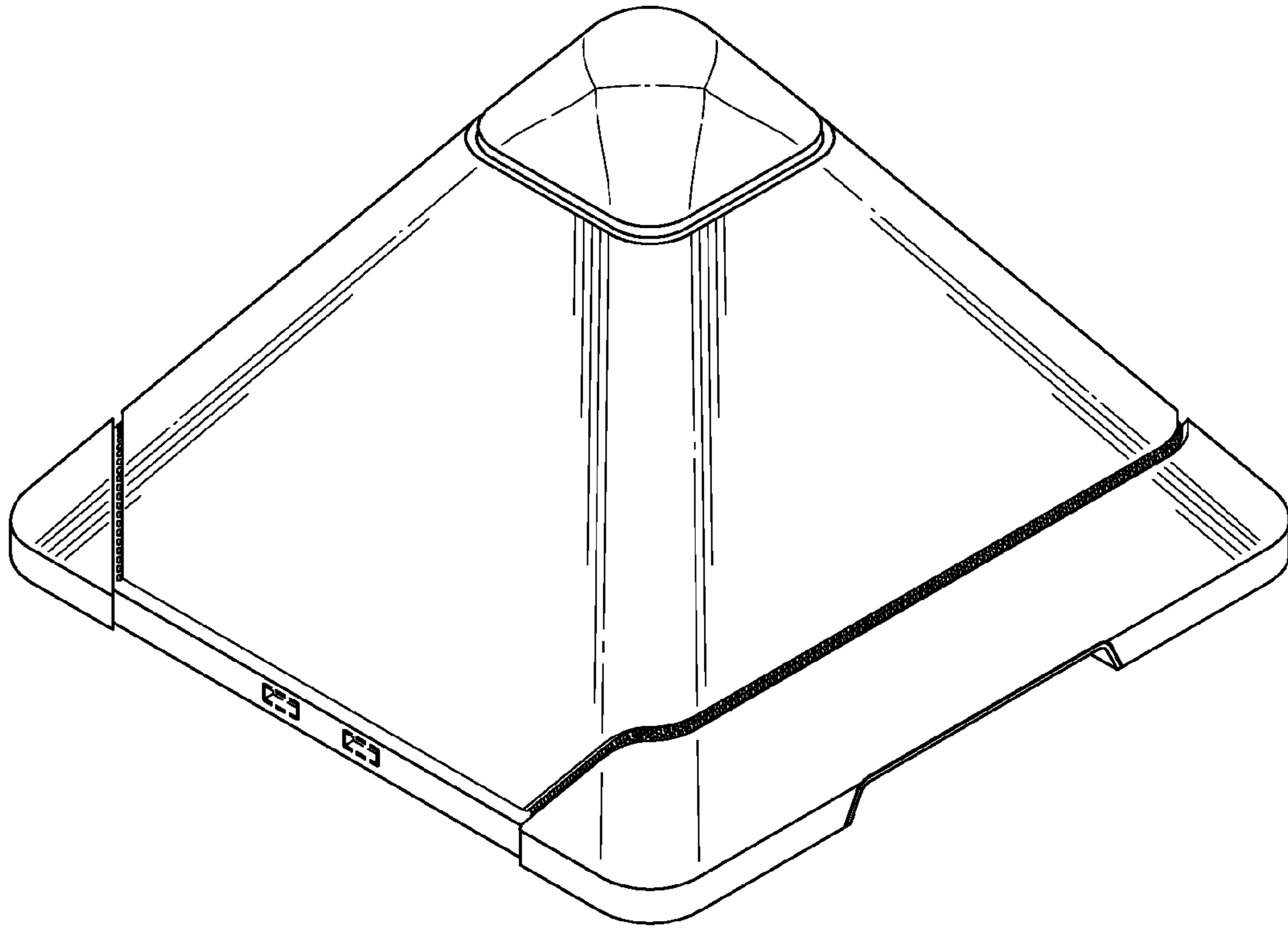


FIG. 1

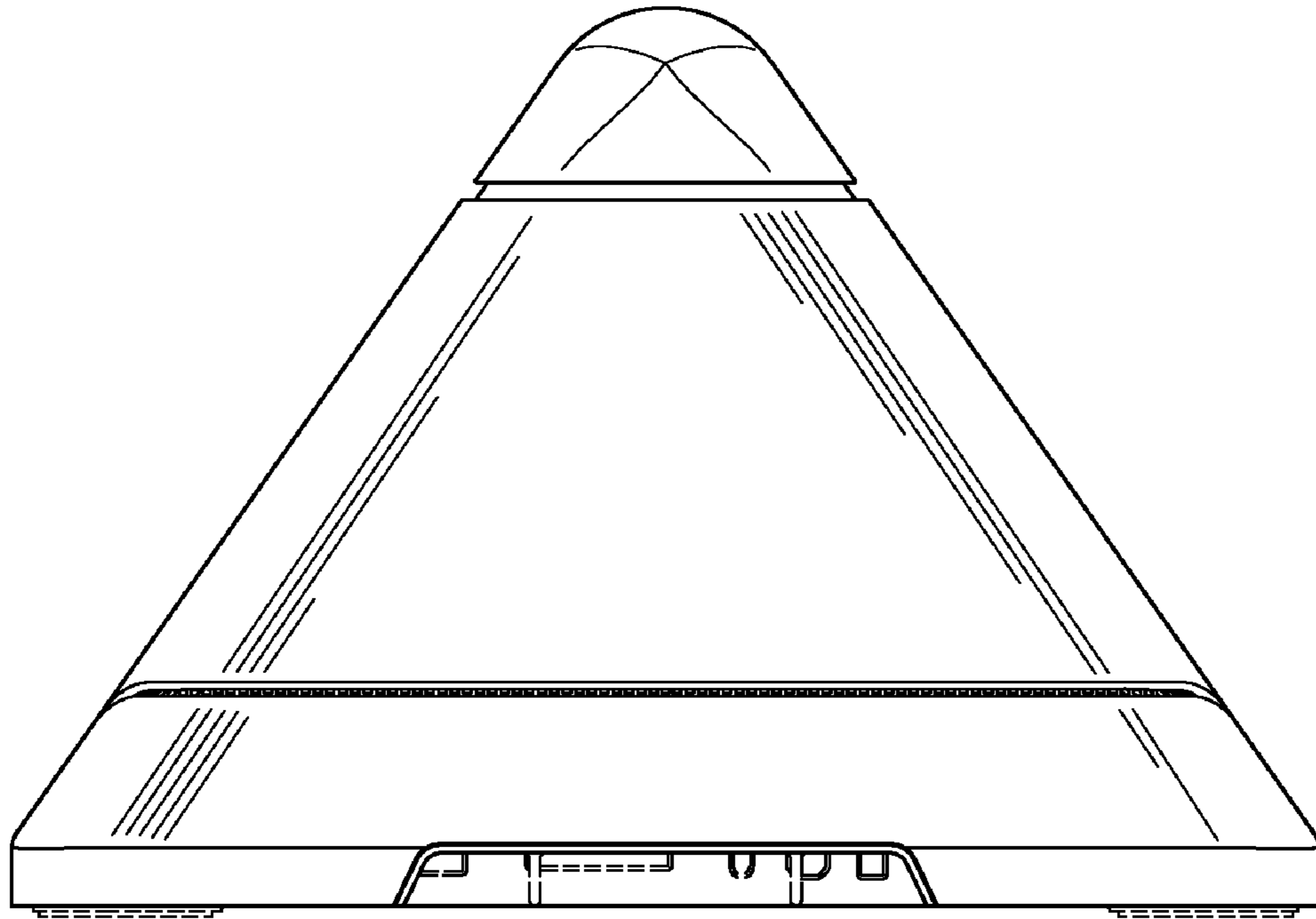


FIG. 2

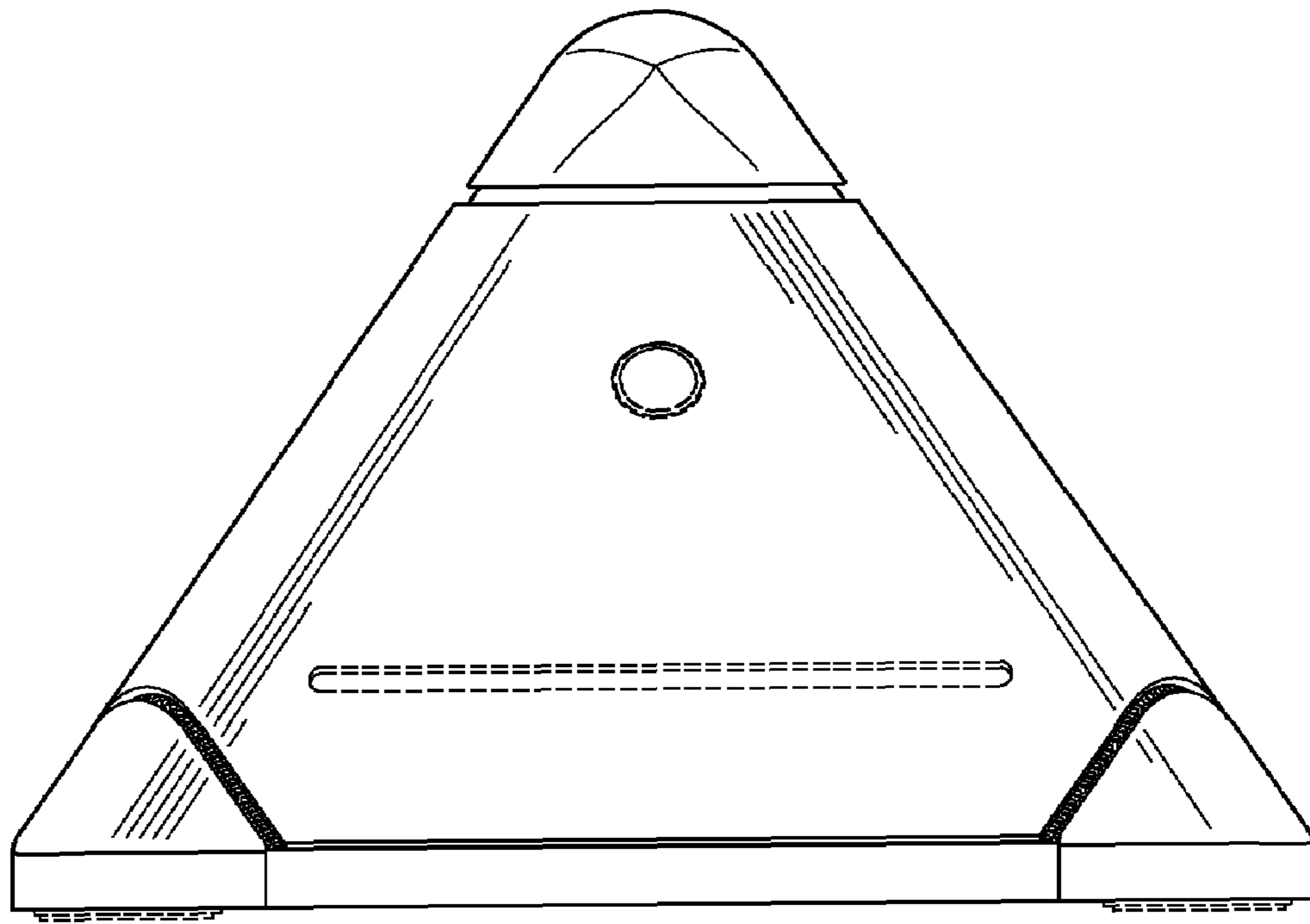


FIG. 3

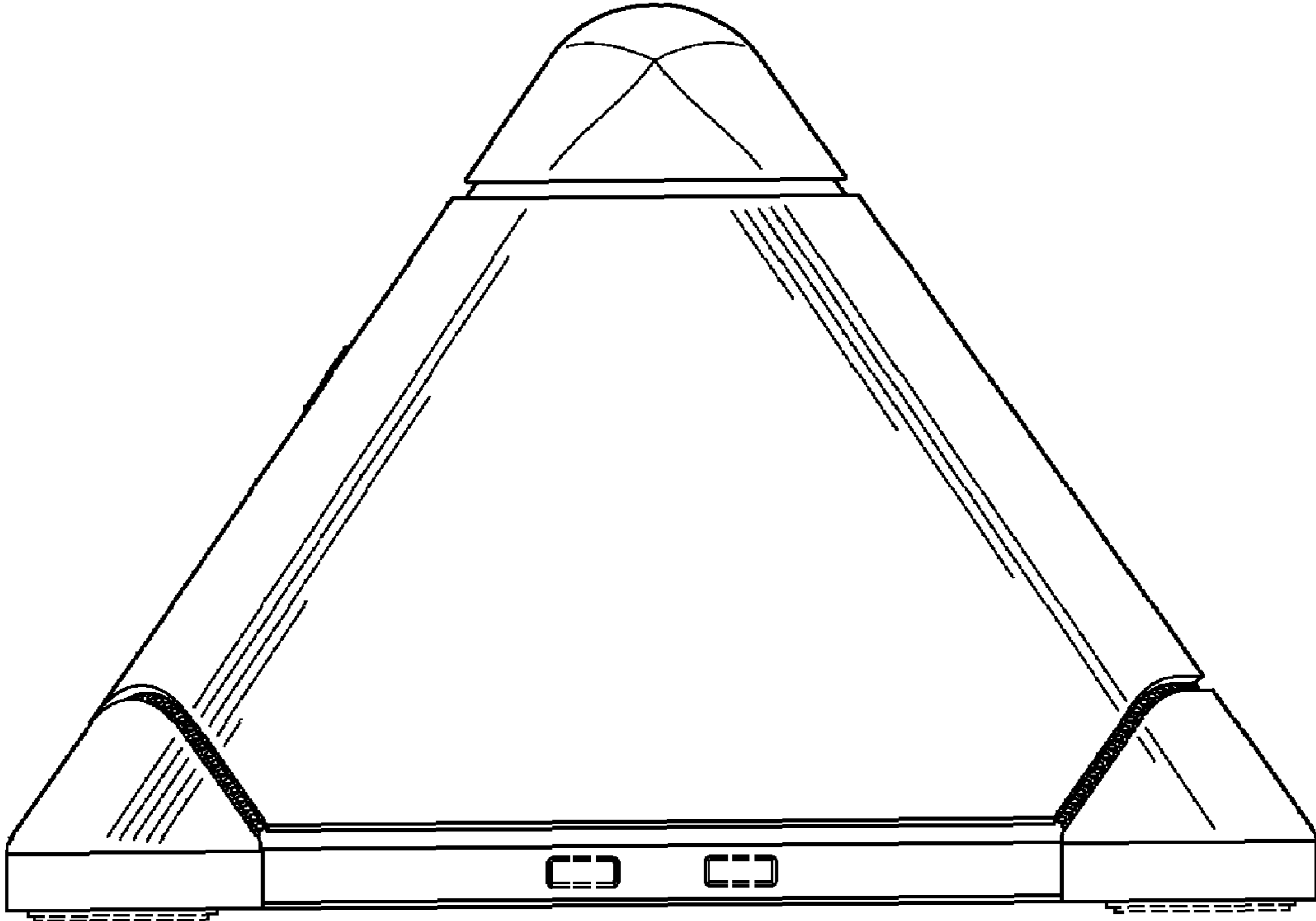


FIG. 4

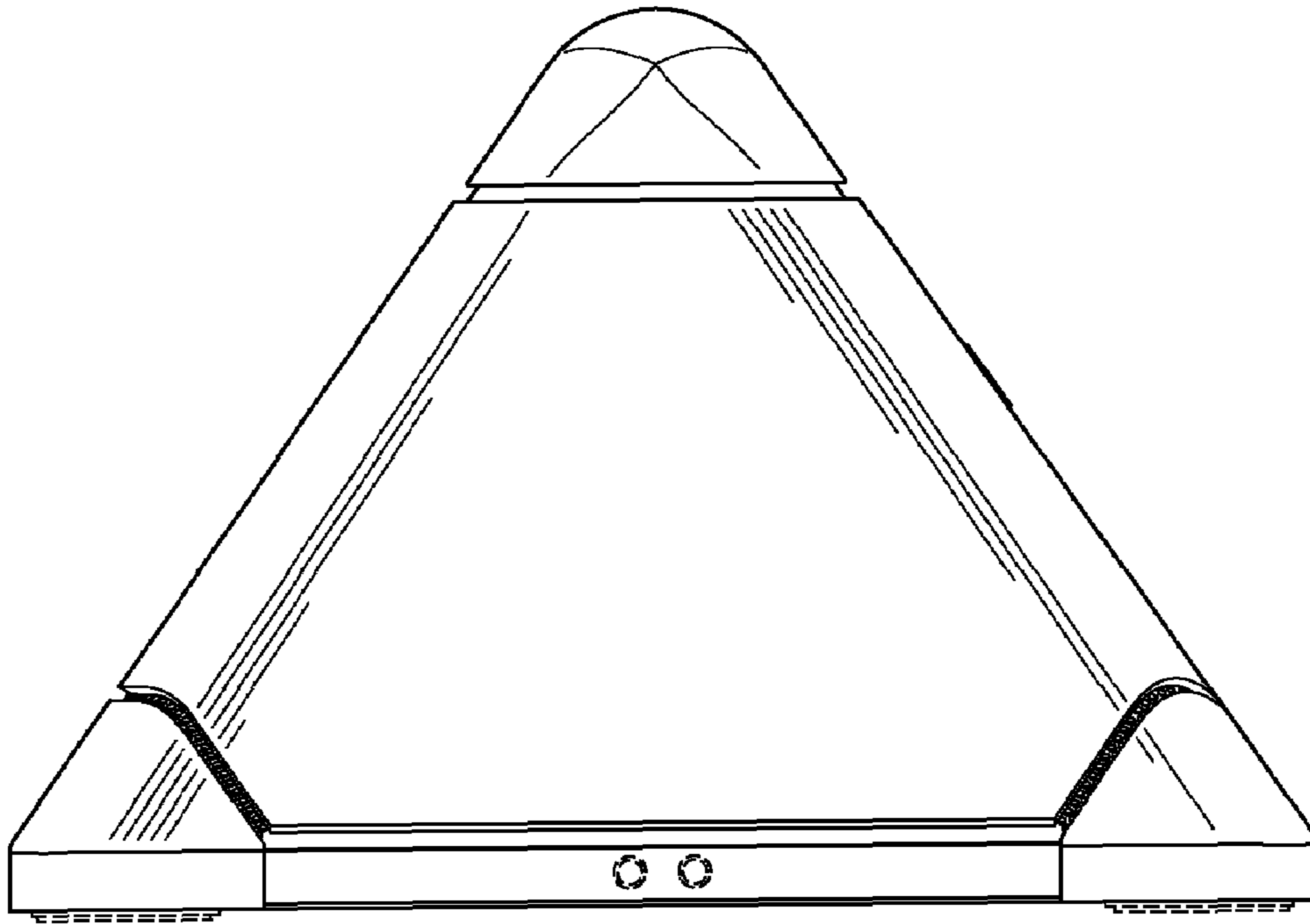


FIG. 5

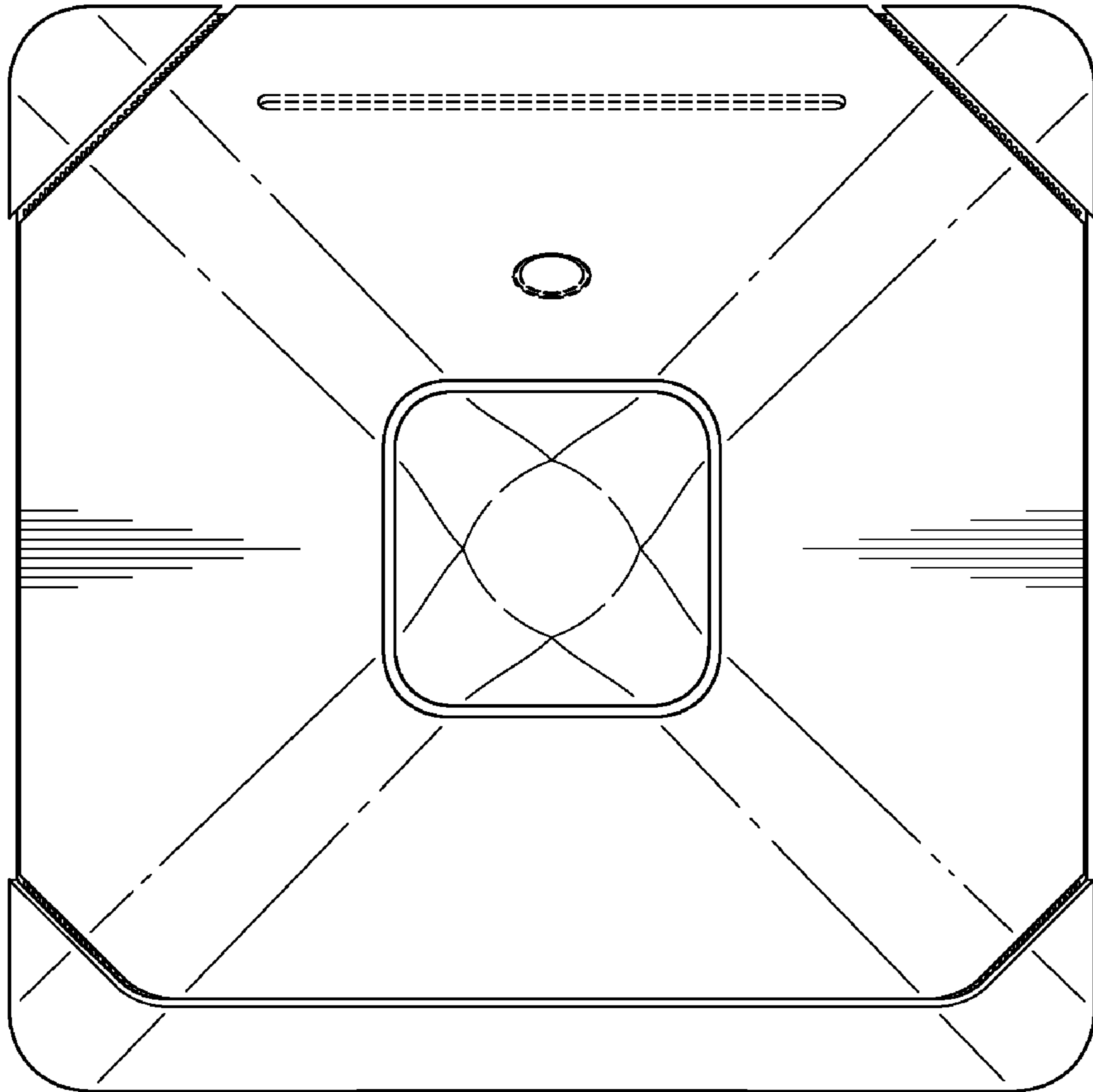


FIG. 6

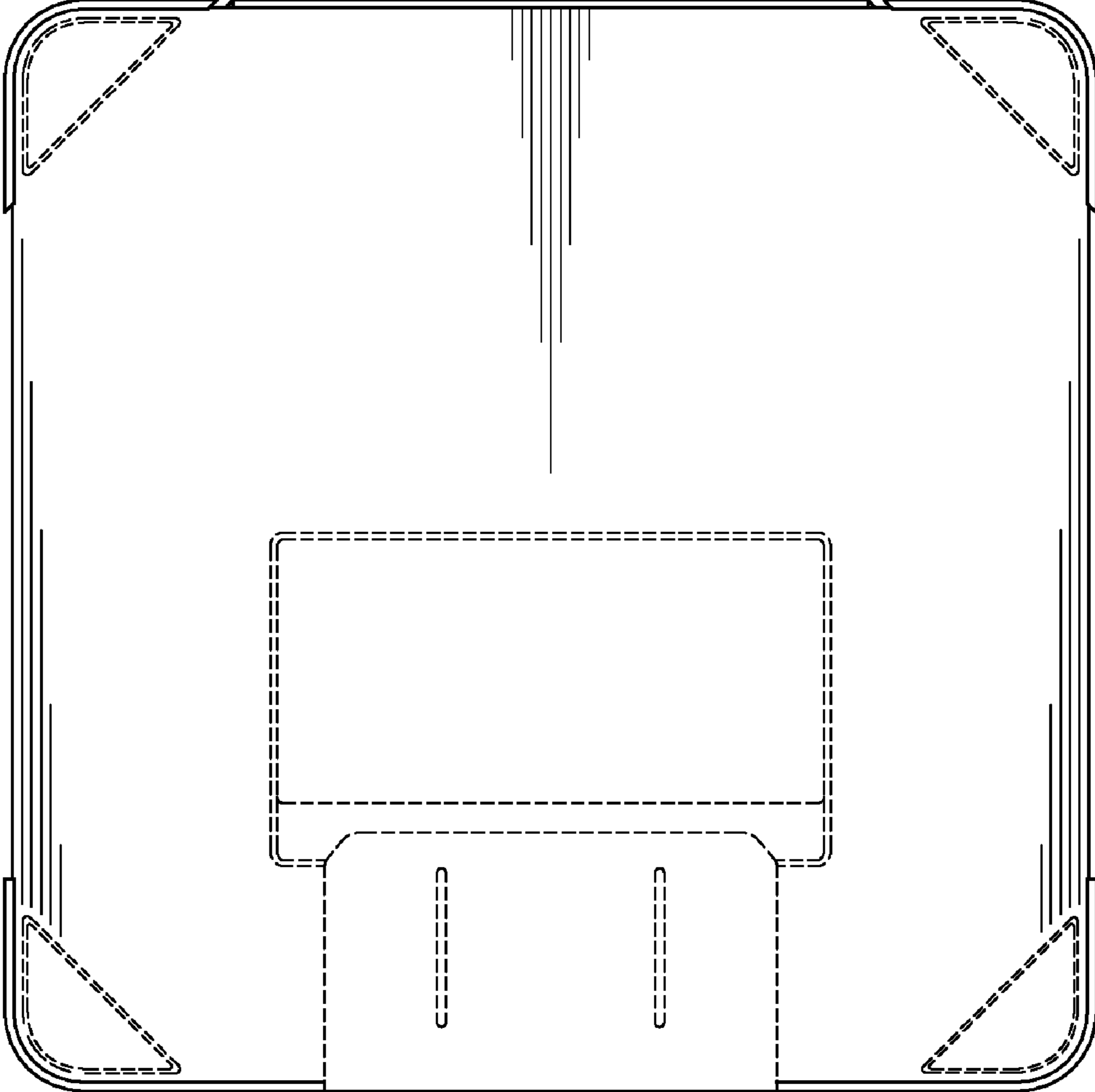


FIG. 7