



US00D601553S

(12) **United States Design Patent**  
**Wang et al.**

(10) **Patent No.:** **US D601,553 S**  
(45) **Date of Patent:** **\*\* Oct. 6, 2009**

(54) **PORTABLE ELECTRONIC DEVICE**

(75) Inventors: **Jun Wang**, Shenzhen (CN); **Hsiao-Hua Tu**, Taipei Hsien (TW); **Gang Yang**, Shenzhen (CN); **Ying-Zhuo Wang**, Shenzhen (CN); **Peng Zhao**, Shenzhen (CN)

(73) Assignee: **FIH (Hong Kong) Limited**, Kowloon (HK)

(\*\*) Term: **14 Years**

(21) Appl. No.: **29/326,331**

(22) Filed: **Oct. 16, 2008**

(30) **Foreign Application Priority Data**

Apr. 28, 2008 (CN) ..... 2008 3 0300574

(51) **LOC (9) Cl.** ..... **14-03**

(52) **U.S. Cl.** ..... **D14/247**

(58) **Field of Classification Search** ..... D14/247-248, D14/138 R, 138 AD, 138 AC, 138 C, 138 G, D14/191, 203.1-203.8, 496, 144, 244, 432, D14/439, 455, 456, 138 AA, 138 AB, 137, D14/147, 218, 341-347; D10/65, 78, 104; D13/168; D18/7; 455/566, 575.1, 575.3; 345/169

See application file for complete search history.

(56) **References Cited**

**U.S. PATENT DOCUMENTS**

D289,045 S \* 3/1987 Brown ..... D14/247  
D395,250 S \* 6/1998 Kabler et al. .... D10/65  
D409,927 S \* 5/1999 Wieggers et al. .... D10/65  
6,058,293 A \* 5/2000 Phillips ..... 455/575.1  
D464,033 S \* 10/2002 Piano-Poirier ..... D14/144  
6,567,652 B1 \* 5/2003 Wu ..... 455/575.1  
6,614,422 B1 \* 9/2003 Rafii et al. .... 345/168  
D488,789 S \* 4/2004 Lee ..... D14/138 AA  
7,027,781 B2 \* 4/2006 Ko ..... 455/92  
7,027,802 B2 \* 4/2006 Kim ..... 455/414.1

D528,106 S \* 9/2006 Lee et al. .... D14/240  
D533,172 S \* 12/2006 Lee et al. .... D14/240  
D545,294 S \* 6/2007 Hwang ..... D14/138 AA  
7,412,261 B2 \* 8/2008 Tutikawa ..... 455/566  
7,419,099 B2 \* 9/2008 Lee et al. .... 235/472.01  
D589,020 S \* 3/2009 Lee et al. .... D14/138 AD  
2002/0137550 A1 \* 9/2002 Graham et al. .... 455/566  
2003/0181225 A1 \* 9/2003 Hasegawa et al. .... 455/566  
2004/0242279 A1 \* 12/2004 Costanzo et al. .... 455/564  
2005/0192065 A1 \* 9/2005 Chiang et al. .... 455/575.1  
2007/0279388 A1 \* 12/2007 Pletikosa et al. .... 345/169  
2007/0287391 A1 \* 12/2007 Hofer et al. .... 455/90.3  
2008/0254843 A1 \* 10/2008 Maenpaa ..... 455/575.3  
2009/0131115 A1 \* 5/2009 Kretz ..... 455/566

**OTHER PUBLICATIONS**

Nokia 7610, announced Mar. 2004, [online], [retrieved on May 29, 2009]. Retrieved from Internet ,<URL: http://www.gsmarena.com>.\*

Haier P5, announced 2003, [online], [retrieved on May 29, 2009]. Retrieved from Internet ,<URL: http://www.gsmarena.com>.\*

\* cited by examiner

*Primary Examiner*—Jeffrey D Asch

*Assistant Examiner*—Bridget L Eland

(74) *Attorney, Agent, or Firm*—Steven M. Reiss

(57) **CLAIM**

The ornamental design for a portable electronic device, as shown and described.

**DESCRIPTION**

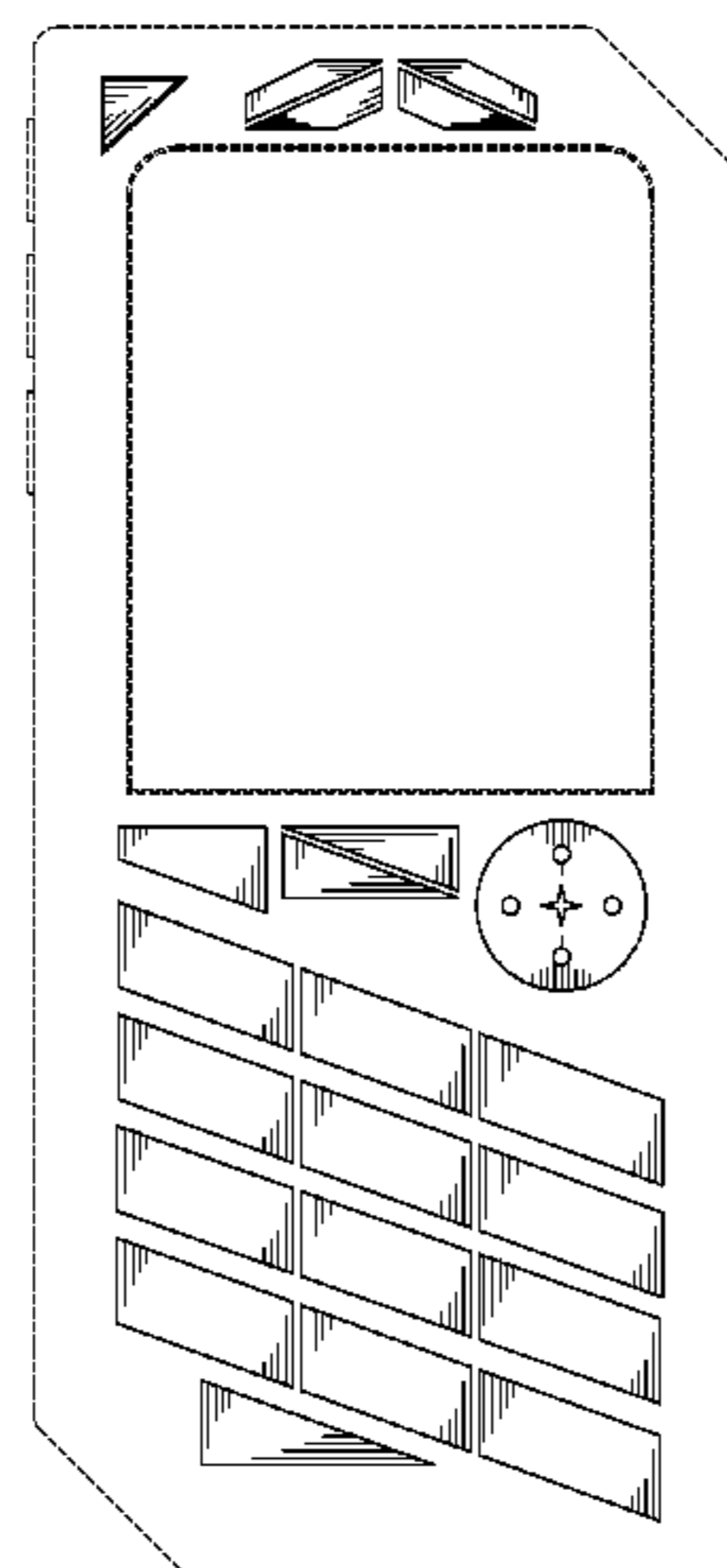
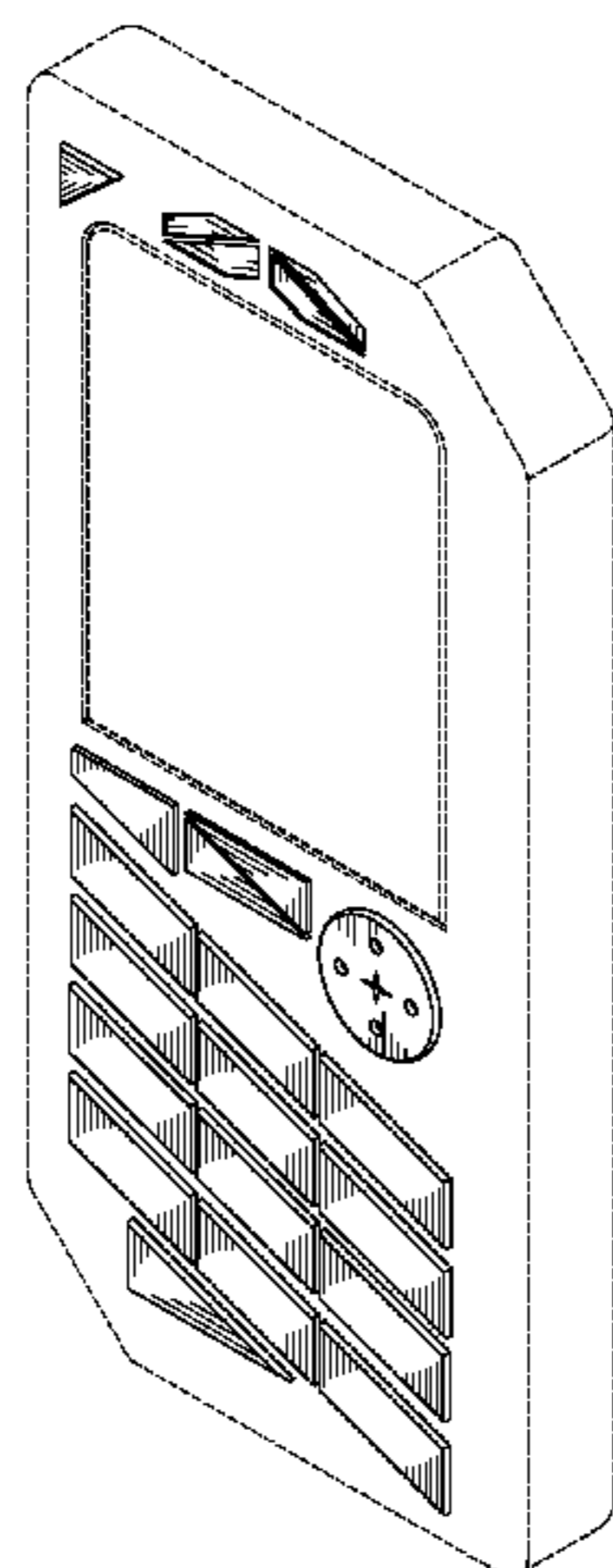
FIG. 1 is a perspective view of a portable electronic device showing our new design;

FIG. 2 is a front elevational view thereof; and,

FIG. 3 is a left side elevational view thereof.

The broken line showing of the remainder of the handset is directed to environment and is for illustrative purposes only; the broken lines form no part of the claimed design. The shading is not part of the design.

**1 Claim, 3 Drawing Sheets**



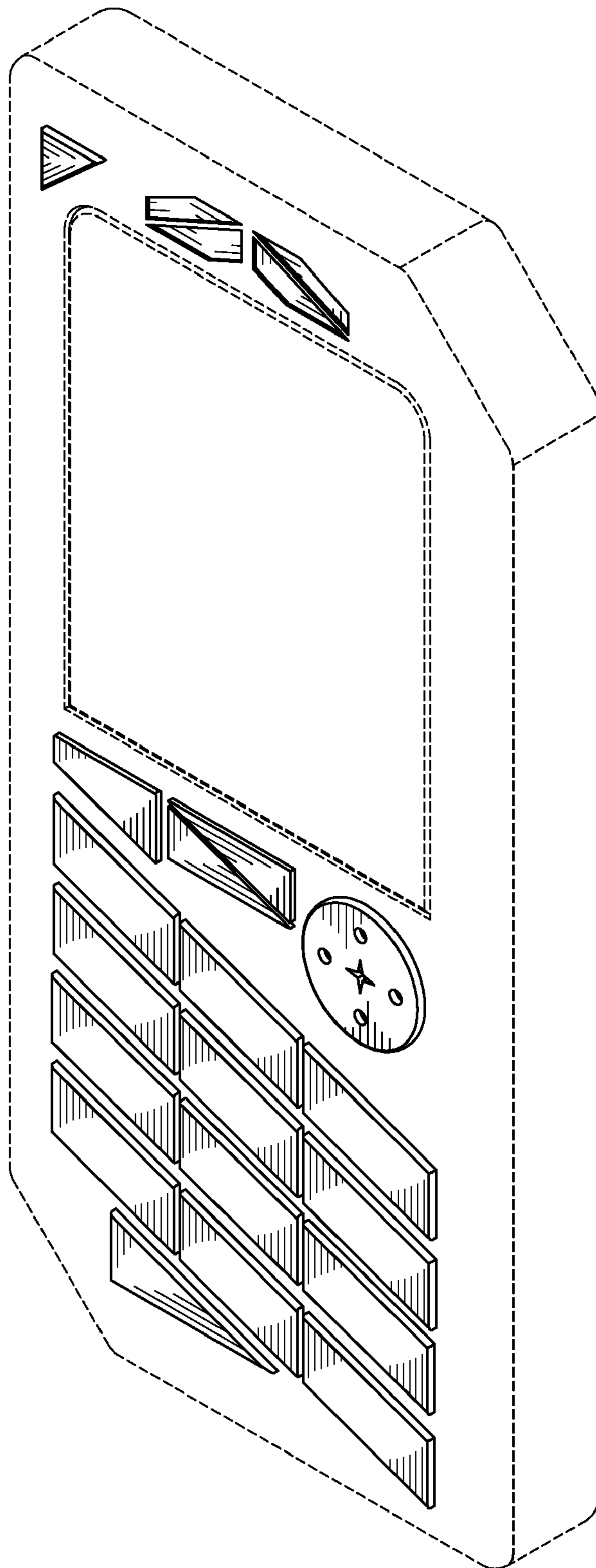


FIG. 1

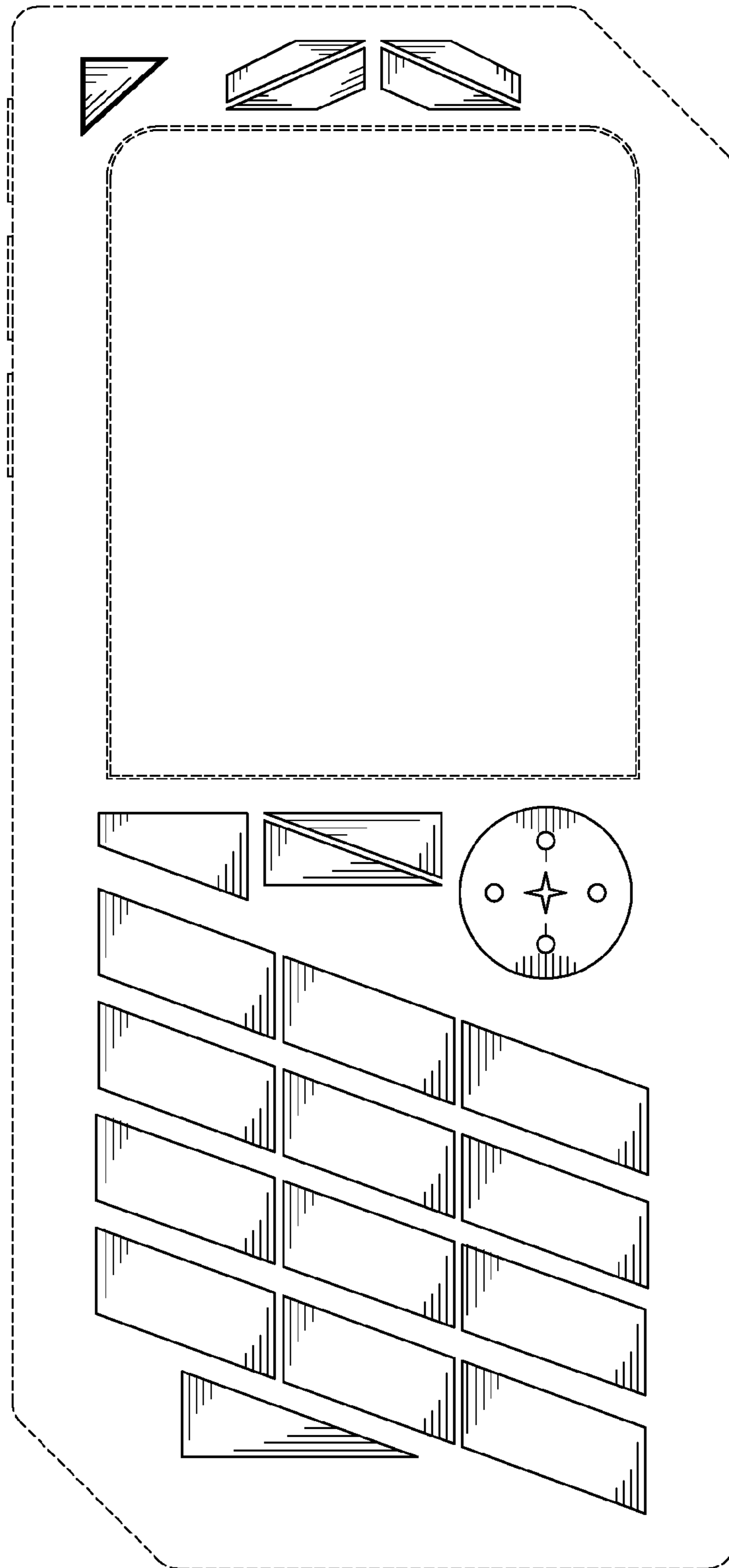


FIG. 2

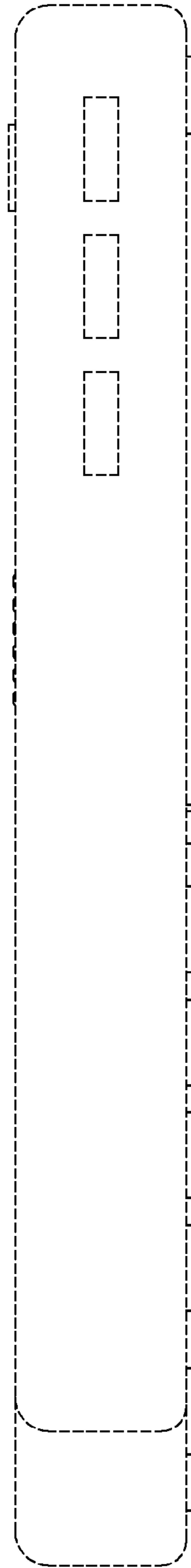


FIG. 3