



US00D601551S

(12) **United States Design Patent**  
**Ray et al.**

(10) **Patent No.:** **US D601,551 S**

(45) **Date of Patent:** **\*\* Oct. 6, 2009**

(54) **ACCESS POINT**

(75) Inventors: **Brian J. Ray**, Livermore, CA (US);  
**Alice T. Meng**, Truckee, CA (US);  
**William R. Jones, III**, San Francisco,  
CA (US)

(73) Assignee: **Extreme Networks, Inc.**, Santa Clara,  
CA (US)

(\*\*) Term: **14 Years**

(21) Appl. No.: **29/295,512**

(22) Filed: **Sep. 28, 2007**

(51) **LOC (9) Cl.** ..... **14-02**

(52) **U.S. Cl.** ..... **D14/240**

(58) **Field of Classification Search** ..... D14/356,  
D14/358, 233, 240, 242, 300, 348, 388, 433,  
D14/155; D13/184, 137.2, 107, 108, 144;  
360/69; 379/220.1, 220.14, 25, 93.09, 93.15,  
379/156, 900, 338, 329; 381/124; 607/36;  
307/10.1; 439/668

See application file for complete search history.

(56) **References Cited**

**U.S. PATENT DOCUMENTS**

D264,845 S \* 6/1982 Hellwig ..... D14/240  
D348,070 S \* 6/1994 Vallillee ..... D14/240  
D353,144 S \* 12/1994 Brandt et al. .... D14/242  
D427,965 S \* 7/2000 Wu ..... D13/107

D436,343 S \* 1/2001 Harrington et al. .... D13/107  
D573,985 S \* 7/2008 Jeong et al. .... D14/240  
D574,321 S \* 8/2008 Osiecki et al. .... D13/107  
D580,931 S \* 11/2008 Chang et al. .... D14/356  
7,499,679 B2 3/2009 Yang et al.

\* cited by examiner

*Primary Examiner*—Charles A Rademaker

*Assistant Examiner*—Charles D Hanson

(74) *Attorney, Agent, or Firm*—Blakely, Sokoloff, Taylor &  
Zafman, LLP

(57) **CLAIM**

The ornamental design for an access point, as shown and  
described.

**DESCRIPTION**

FIG. 1 is a front view of an access point showing our new  
design;

FIG. 2 is a bottom view thereof;

FIG. 3 is a top view thereof;

FIG. 4 is a side view thereof;

FIG. 5 is an opposite side view thereof;

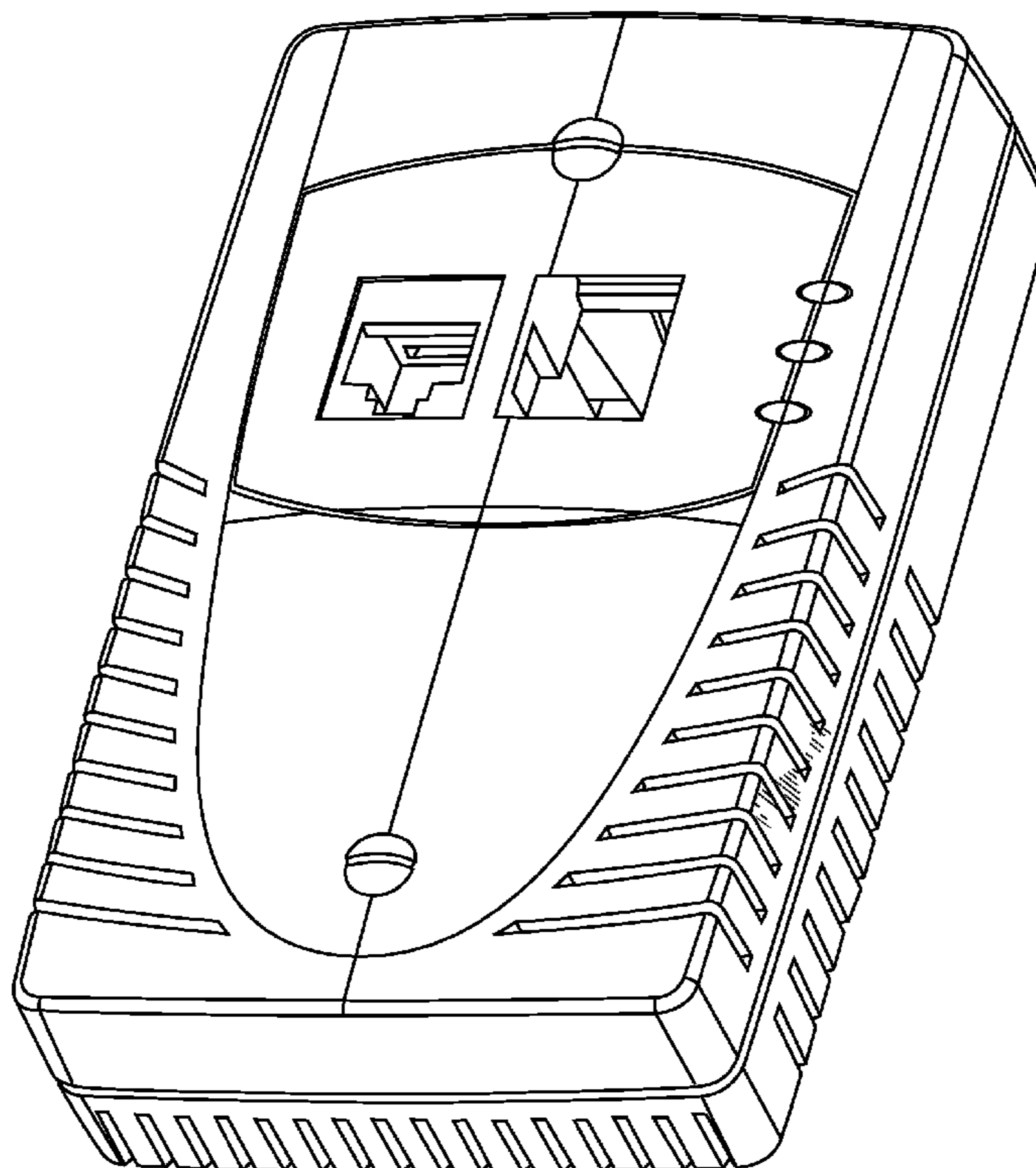
FIG. 6 is a rear view thereof;

FIG. 7 is top-rear perspective view thereof;

FIG. 8 is a bottom-rear perspective view thereof; and,

FIG. 9 is a front perspective view thereof.

**1 Claim, 7 Drawing Sheets**



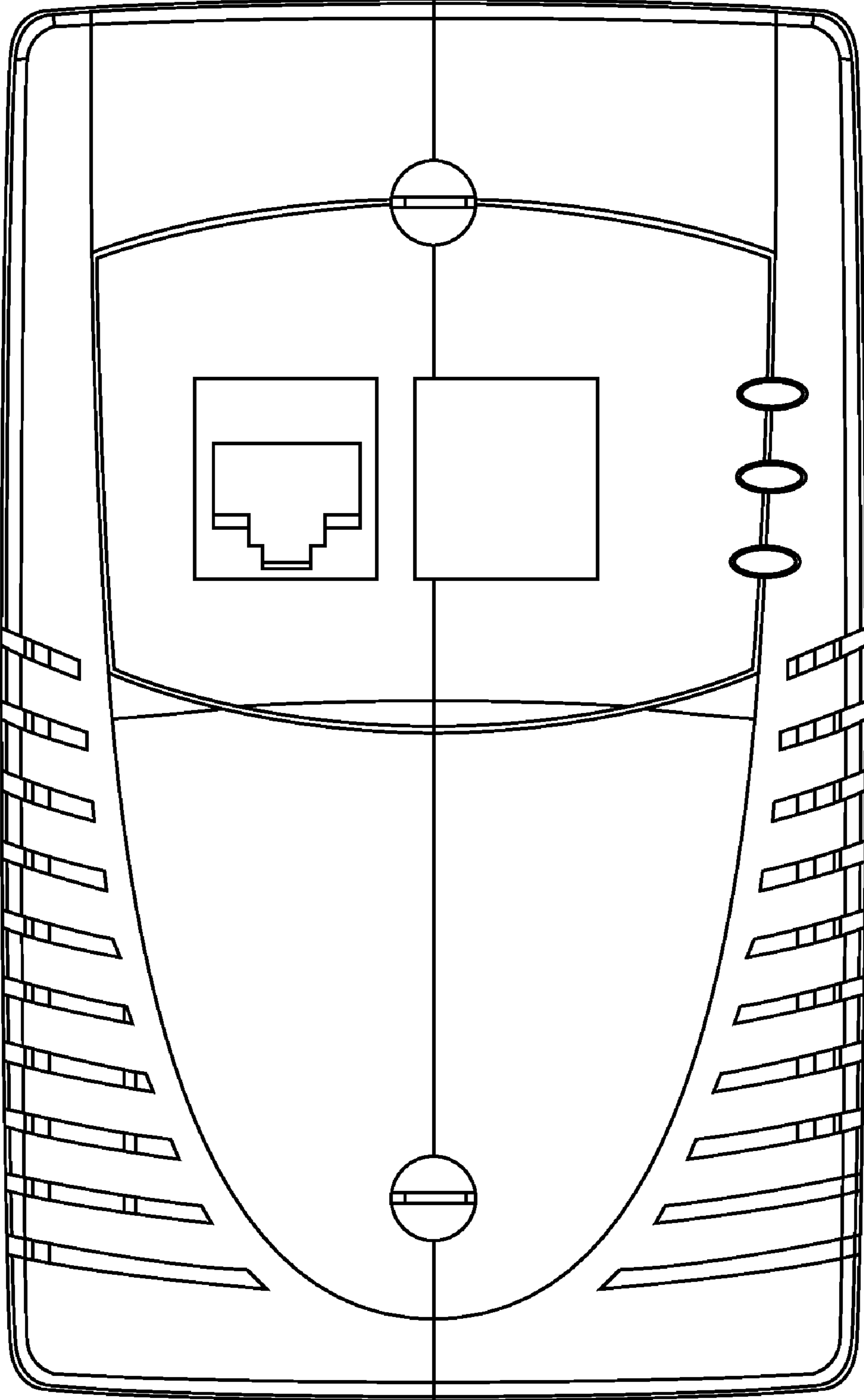
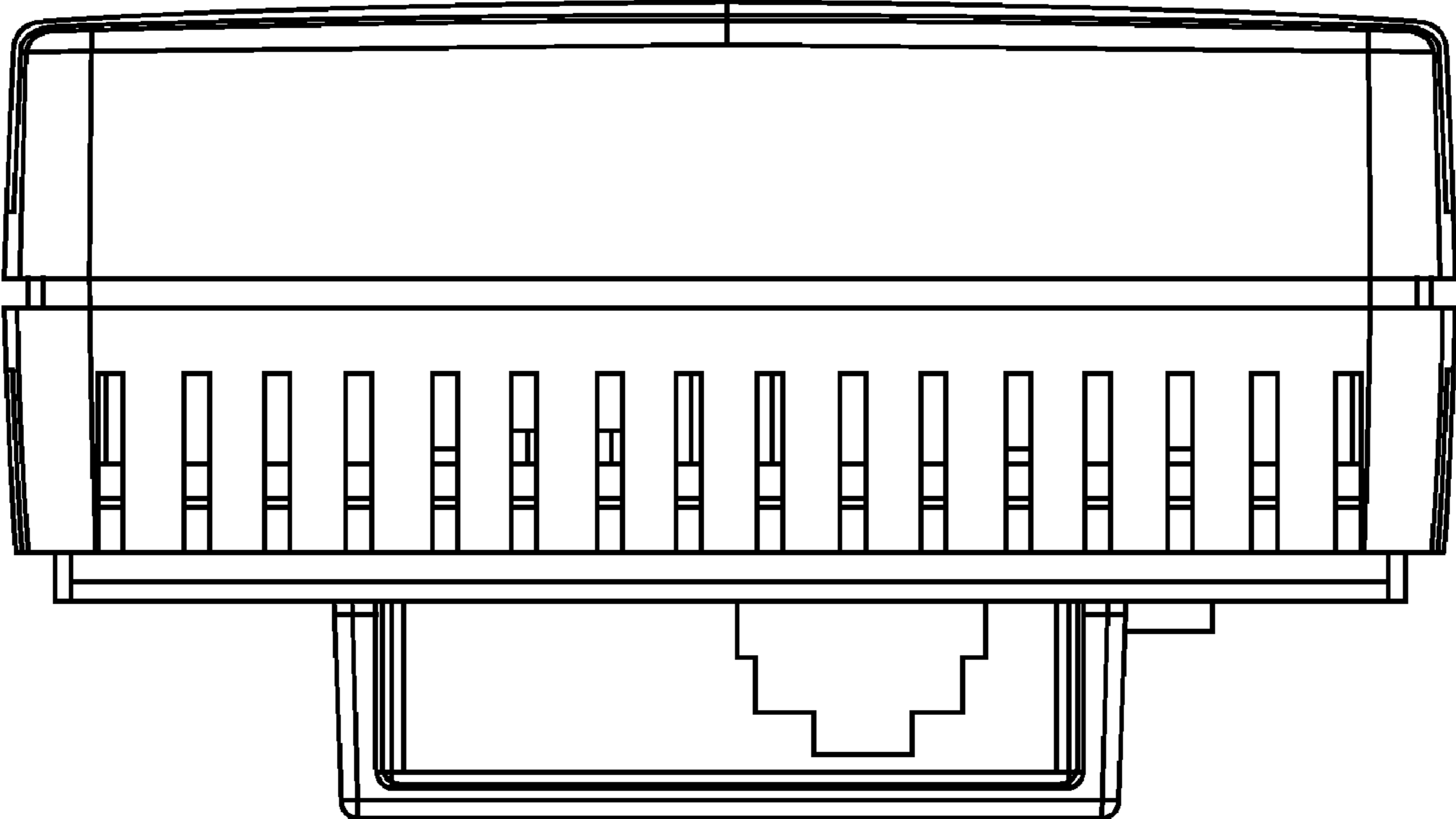
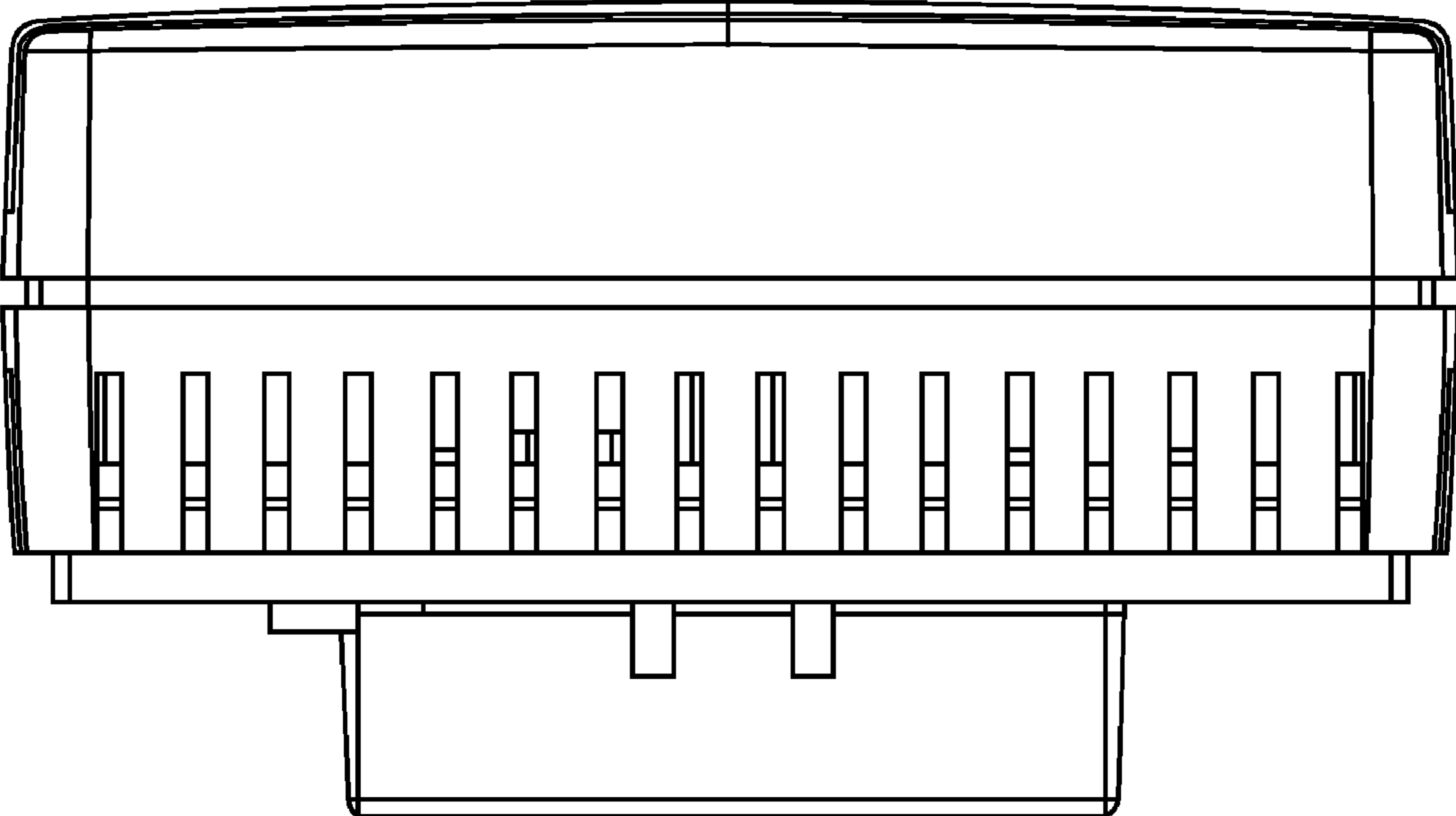


FIG. 1



**FIG. 2**



**FIG. 3**

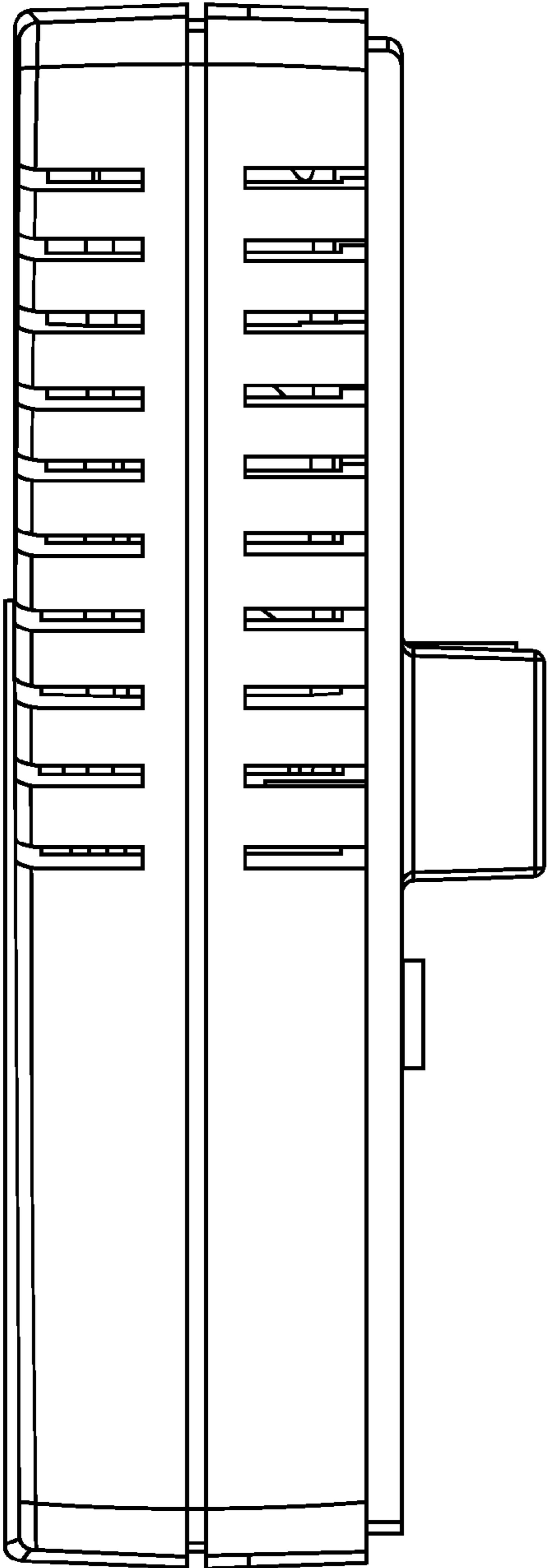


FIG. 4

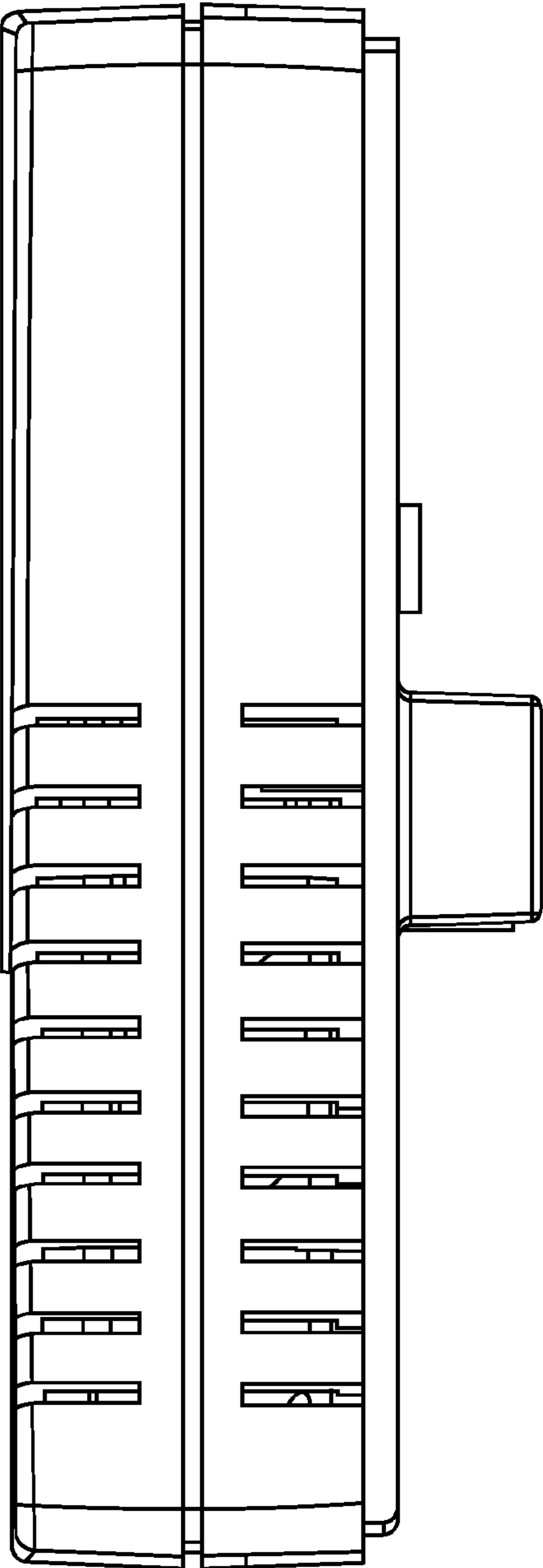


FIG. 5

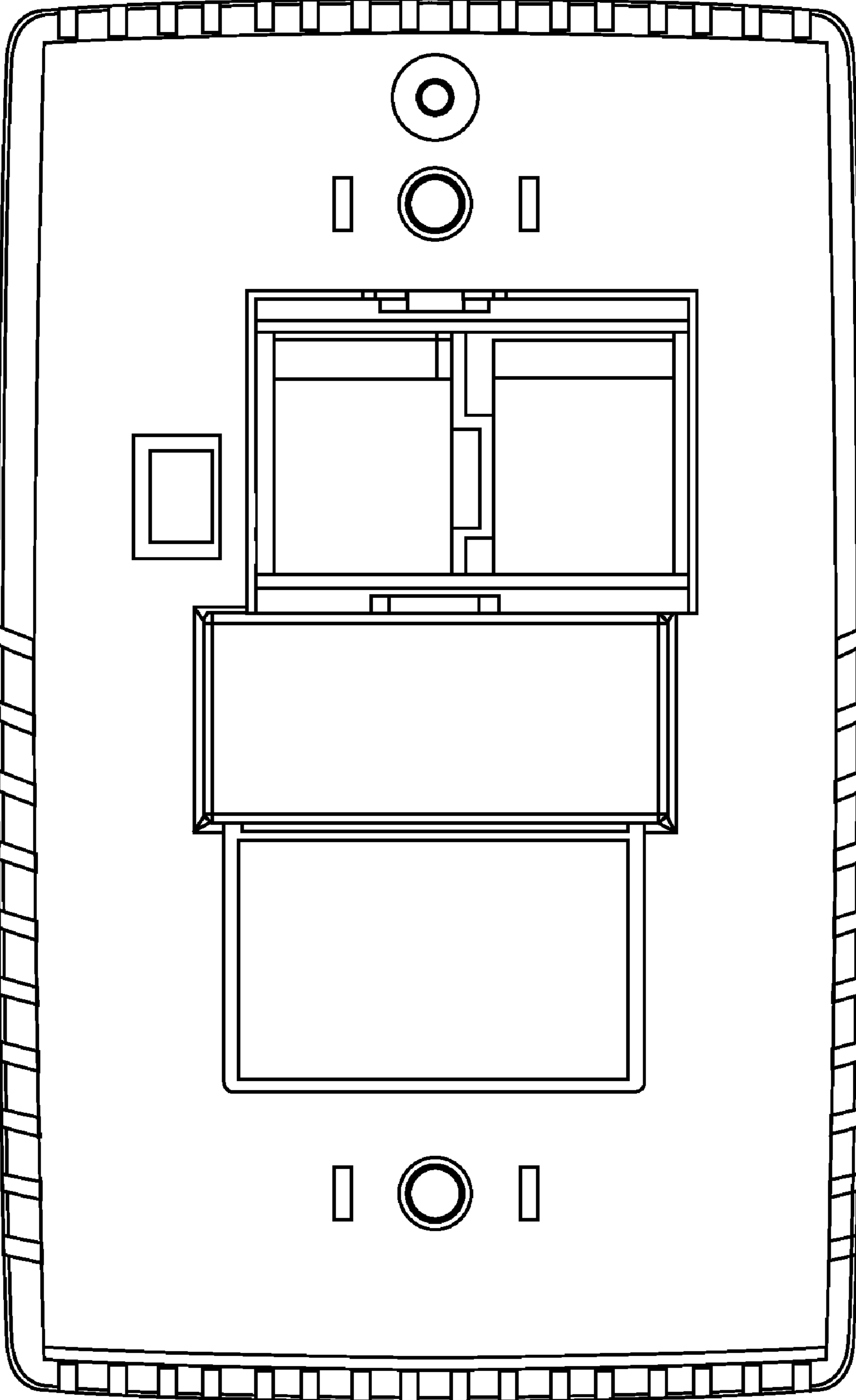


FIG. 6

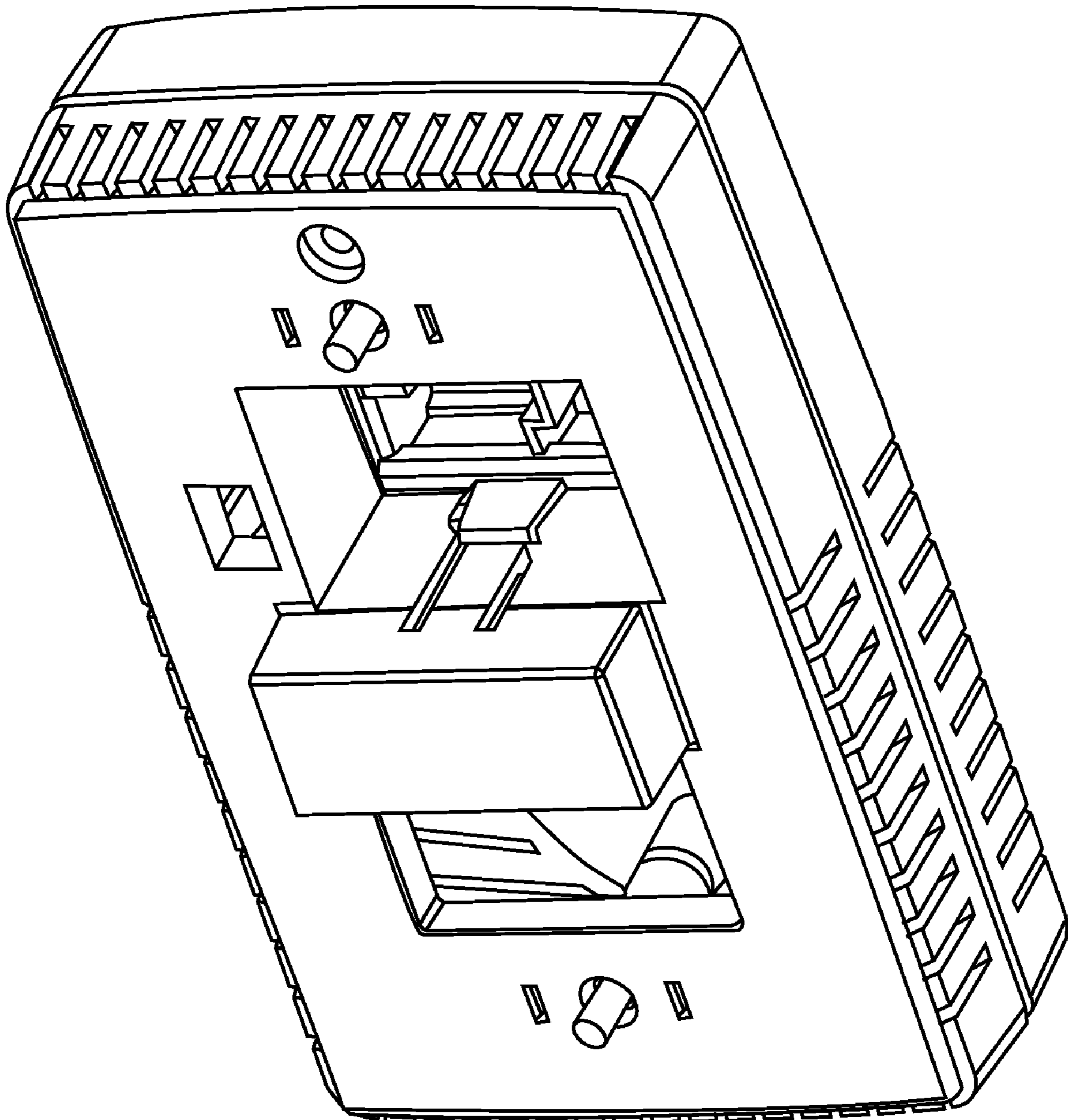


FIG. 7

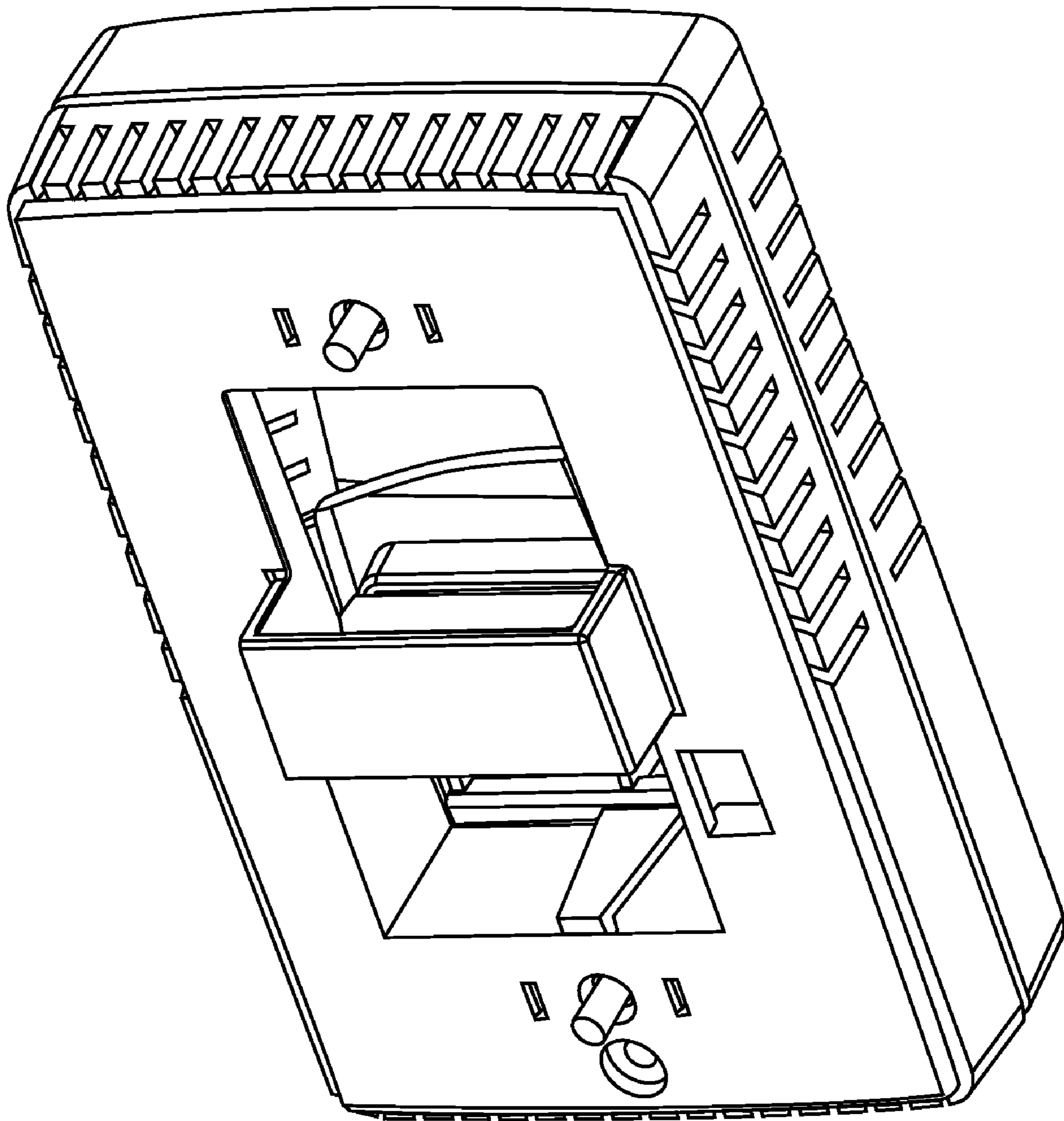


FIG. 8

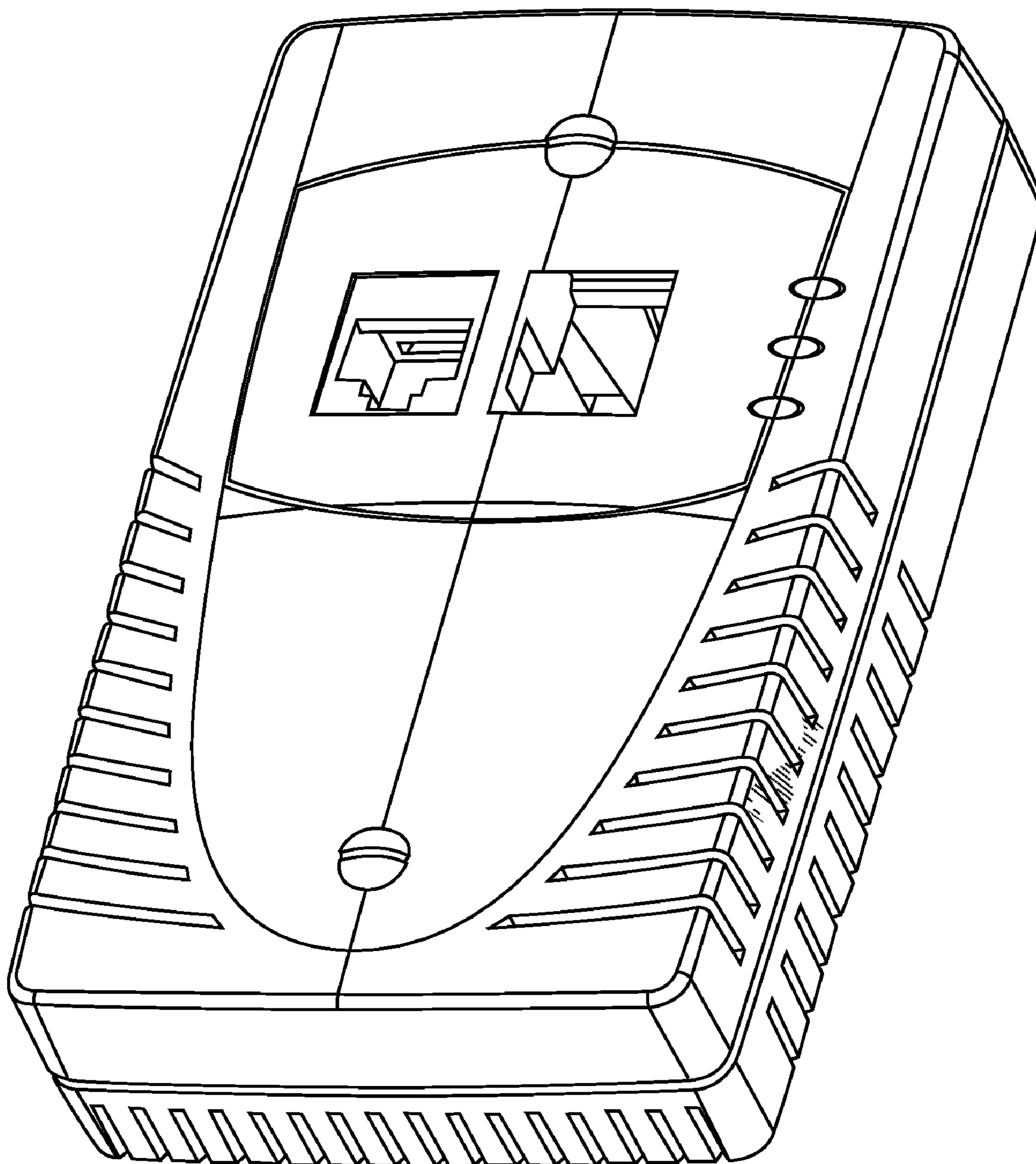


FIG. 9