



US00D601548S

(12) **United States Design Patent**
Morisawa

(10) **Patent No.:** **US D601,548 S**
(45) **Date of Patent:** **** Oct. 6, 2009**

(54) **EARPHONE**

(75) Inventor: **Rui Morisawa**, Tokyo (JP)

(73) Assignee: **Sony Corporation**, Tokyo (JP)

(**) Term: **14 Years**

(21) Appl. No.: **29/309,838**

(22) Filed: **Oct. 23, 2008**

(30) **Foreign Application Priority Data**

Apr. 24, 2008 (JP) 2008-010605
May 28, 2008 (JP) 2008-013368

(51) **LOC (9) Cl.** **14-01**

(52) **U.S. Cl.** **D14/223**

(58) **Field of Classification Search** D14/205,
D14/206, 223, 426, 240, 218, 443, 133, 167,
D14/168, 265, 192, 219, 249, 138 R; D10/33,
D10/38, 111; D9/781, 772, 549; D13/103,
D13/110, 125, 153, 160, 183, 184, 173, 174,
D13/177; D16/219, 130, 136, 137; D28/91;
361/118; 396/429, 448; 379/433.13; 313/510;
381/381, 324; 429/163, 176

See application file for complete search history.

(56) **References Cited**

U.S. PATENT DOCUMENTS

D47,905 S * 9/1915 Turner D14/240
D97,302 S * 10/1935 Parness et al. D9/423
3,260,880 A * 7/1966 Kupsky 313/510
3,900,767 A * 8/1975 Person 361/118
D254,002 S * 1/1980 Schafer D13/184
D290,598 S * 6/1987 Jaffe et al. D13/160
4,672,672 A * 6/1987 Eggert et al. 381/324
D295,173 S * 4/1988 Oren D14/168
D305,717 S * 1/1990 Soren et al. D13/103
D306,583 S * 3/1990 Krolopp et al. D14/137
D316,036 S * 4/1991 Kaplan D9/423
D353,379 S 12/1994 Nakamura et al.
5,485,517 A * 1/1996 Gray 379/433.13
D371,368 S 7/1996 Hayashi et al.

D372,459 S * 8/1996 Tiberio et al. D13/146
D403,300 S * 12/1998 Renk D13/103
D431,230 S * 9/2000 Began D13/184
D435,580 S * 12/2000 Grinkus D17/99
6,265,102 B1 * 7/2001 Shrim et al. 429/172
D449,330 S * 10/2001 Suzuki et al. D16/219
6,359,995 B1 * 3/2002 Ou 381/381
D458,264 S * 6/2002 MacGregor D14/426
D466,497 S * 12/2002 Wikel et al. D14/265
D469,709 S * 2/2003 Sloot D10/111
D475,996 S * 6/2003 Skulley D14/240

(Continued)

OTHER PUBLICATIONS

Web page, "MDR-EX85SL" <http://av.watch.impress.co.jp/docs/20060913/sony2.htm>, 6 pages, Sony (Sep. 2006).

Primary Examiner—Paula Greene

(74) *Attorney, Agent, or Firm*—Rader, Fishman & Grauer, PLLC

(57) **CLAIM**

The ornamental design for an earphone, as shown and described.

DESCRIPTION

FIG. 1 is a front right top perspective view of an earphone showing my new design;

FIG. 2 is a rear left top perspective view thereof;

FIG. 3 is a rear elevational view thereof;

FIG. 4 is a left side elevational view thereof;

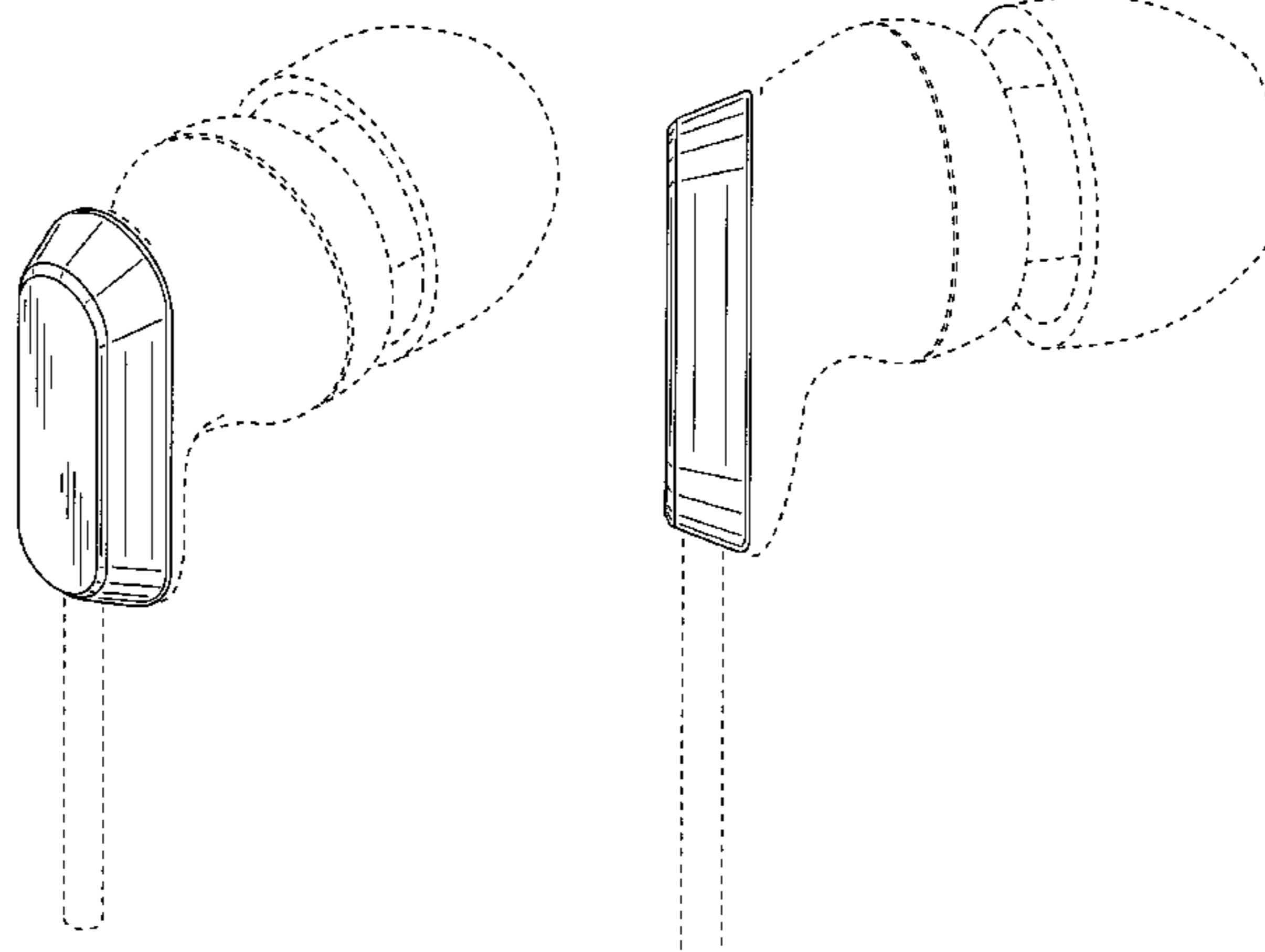
FIG. 5 is a right side elevational view thereof;

FIG. 6 is a top plan view thereof; and,

FIG. 7 is a bottom plan view thereof.

Portions of FIGS. 1–7 that are shown as broken lines are for illustrative purpose only and form no part of the claimed design.

1 Claim, 7 Drawing Sheets



US D601,548 S

Page 2

U.S. PATENT DOCUMENTS

D484,166 S *	12/2003	Senda	D16/219	D512,049 S *	11/2005	Yang	D14/223
D494,571 S *	8/2004	Polito	D14/223	7,138,204 B2 *	11/2006	Akashi et al.	429/94
D502,202 S *	2/2005	Mitsuse	D16/219	D552,595 S *	10/2007	Viduya et al.	D14/205
D502,485 S *	3/2005	Nagayama	D16/219	D552,655 S *	10/2007	Nishiwaki et al.	D16/219
D507,523 S *	7/2005	Resch et al.	D13/103	D559,849 S *	1/2008	Siu	D14/433
D508,065 S *	8/2005	Dow et al.	D16/202	D562,809 S	2/2008	Yang et al.	
6,926,996 B2 *	8/2005	Shelekhin et al.	429/177	D566,099 S	4/2008	Komiyama et al.	
				D584,292 S *	1/2009	Knight	D14/218

* cited by examiner

FIG.1

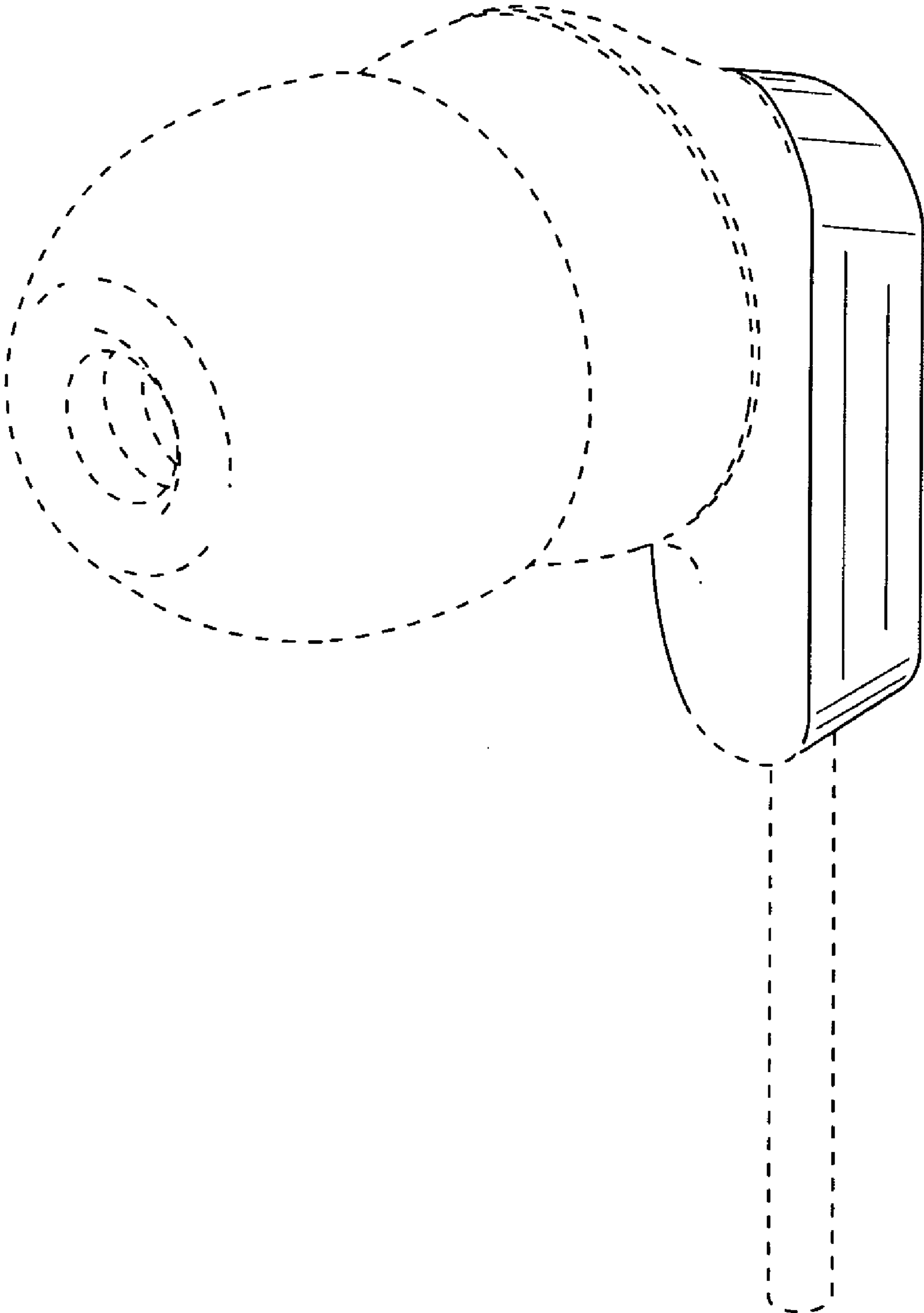


FIG.2

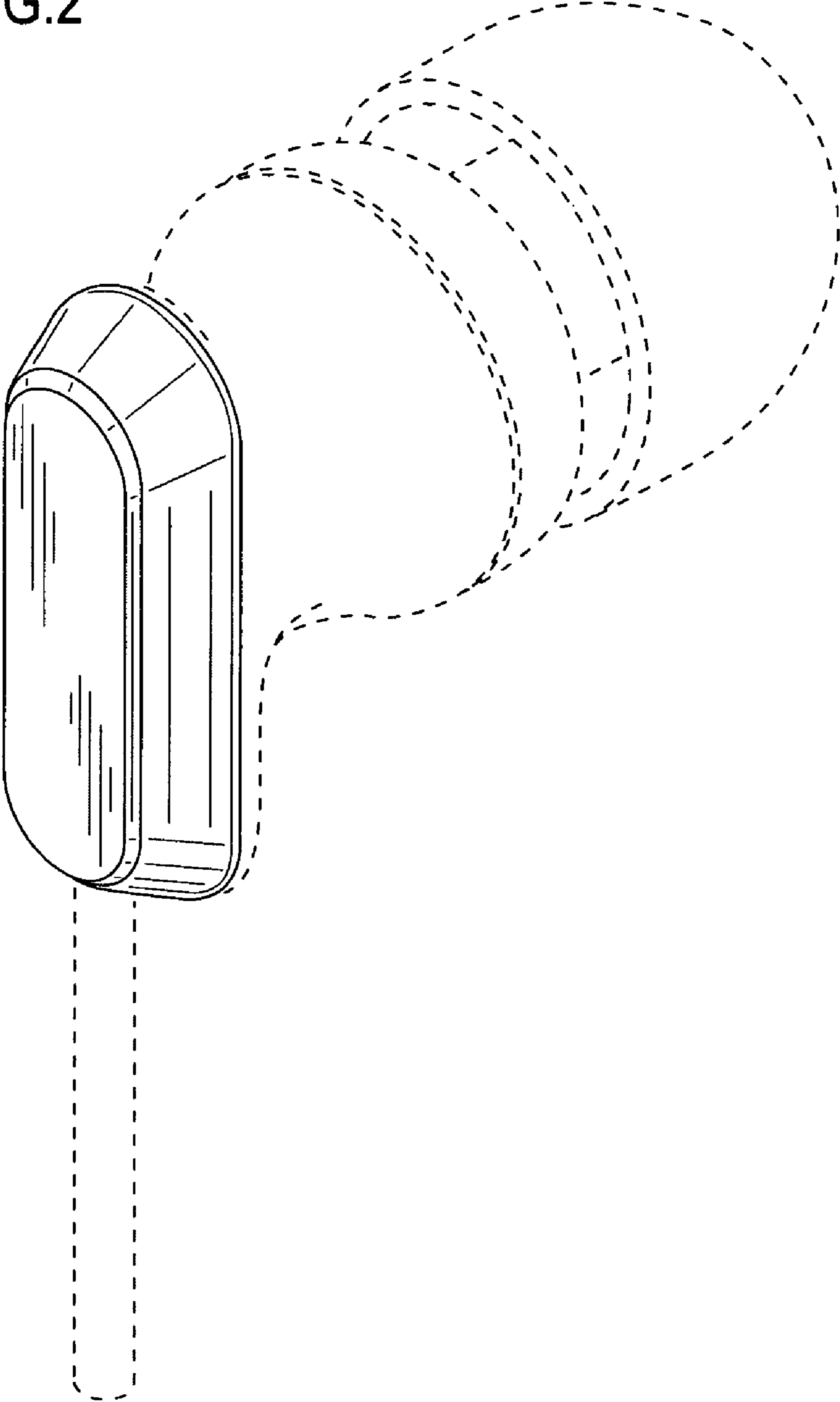


FIG.3

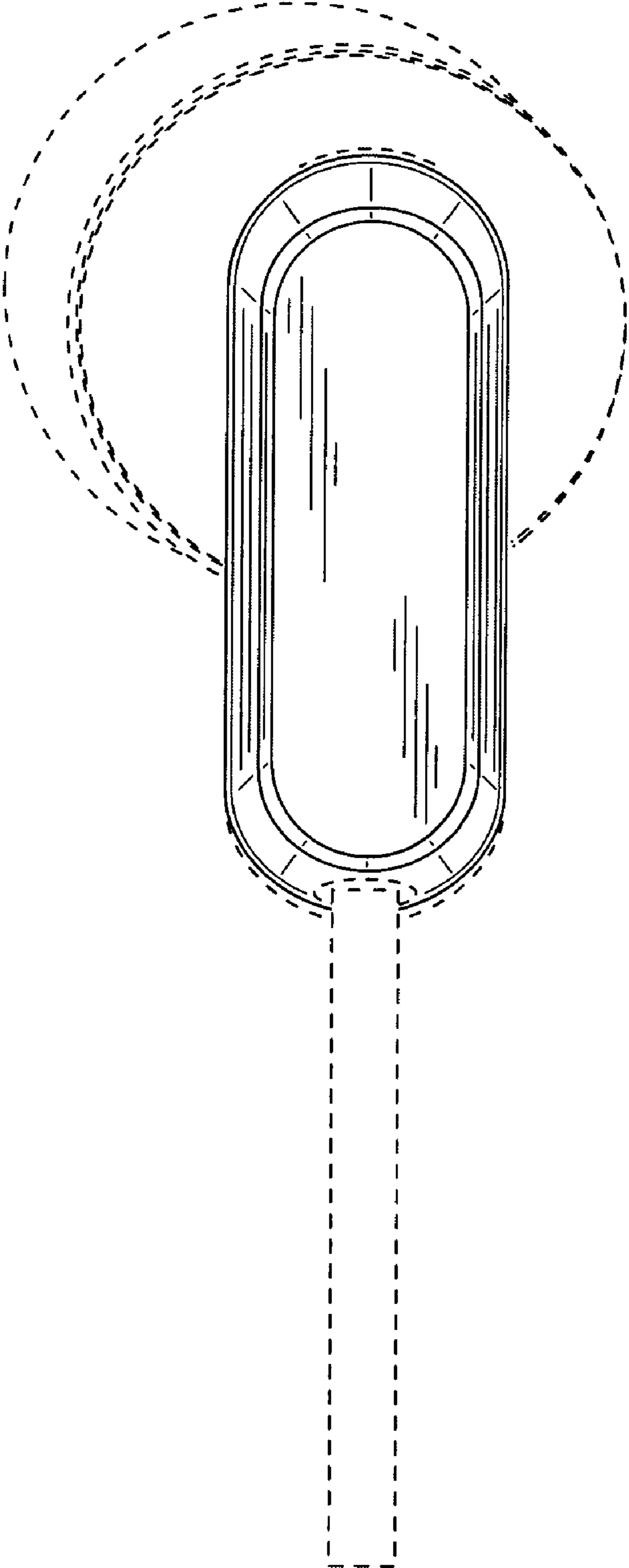


FIG.4

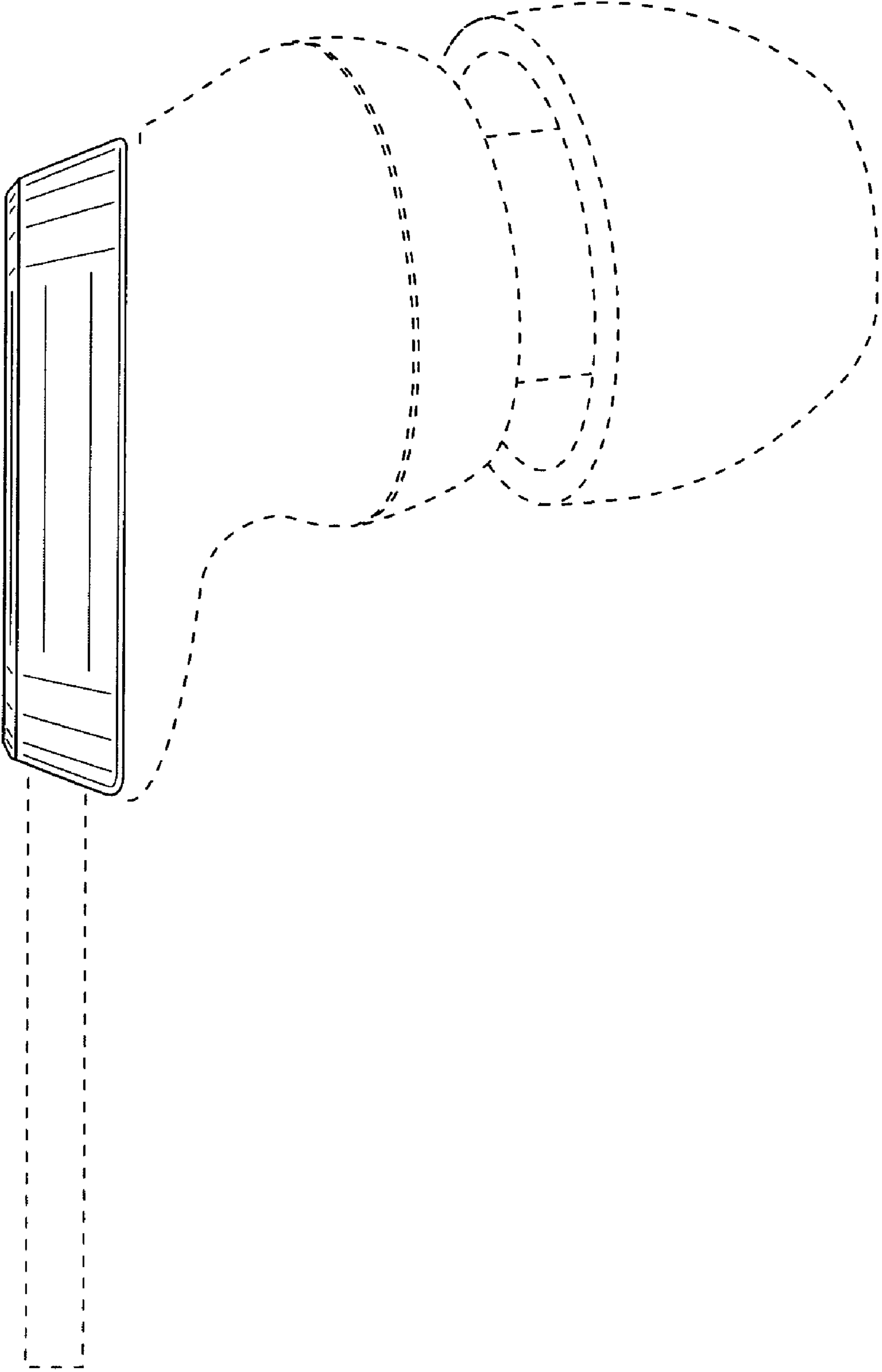


FIG.5

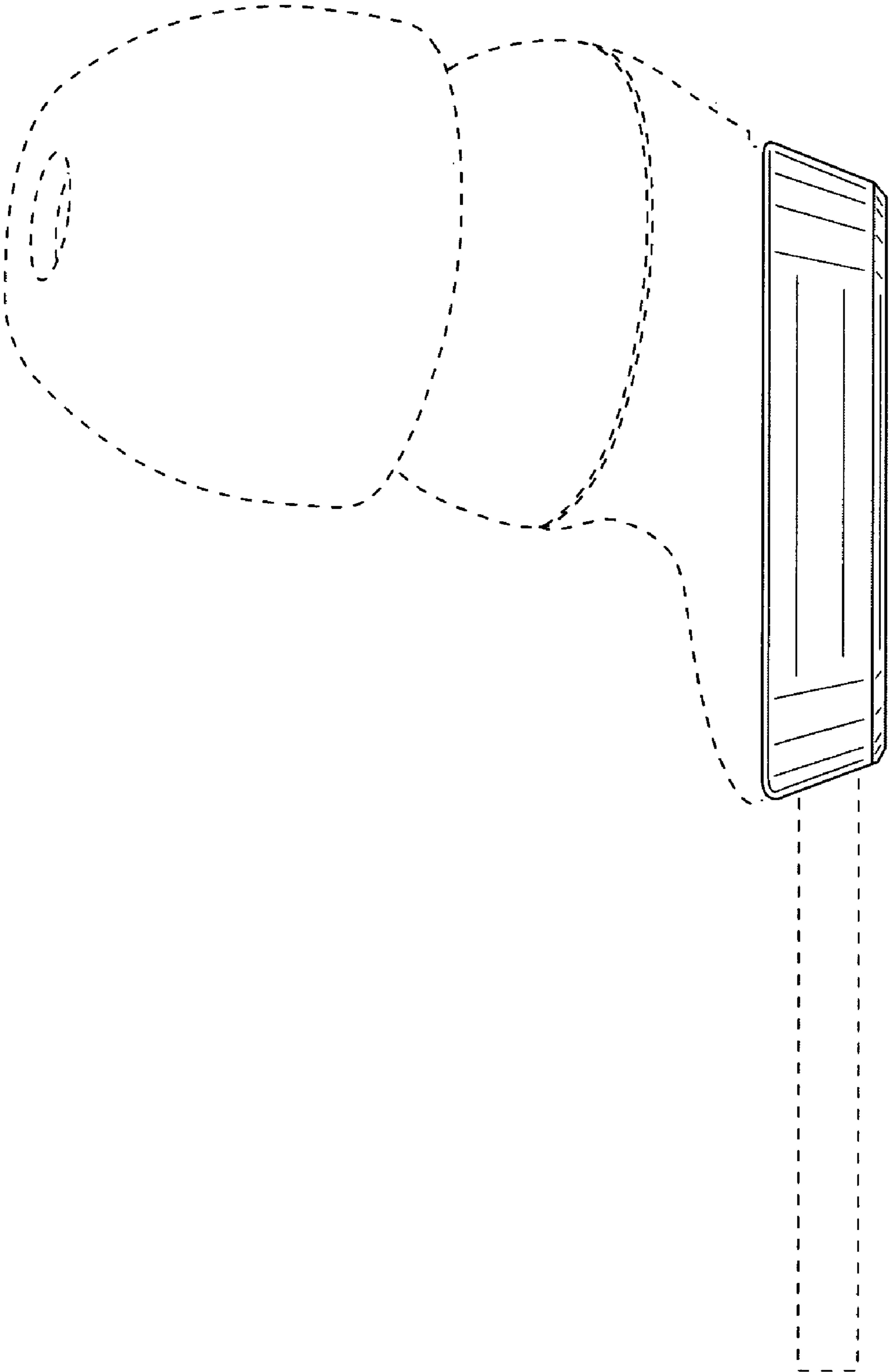


FIG.6

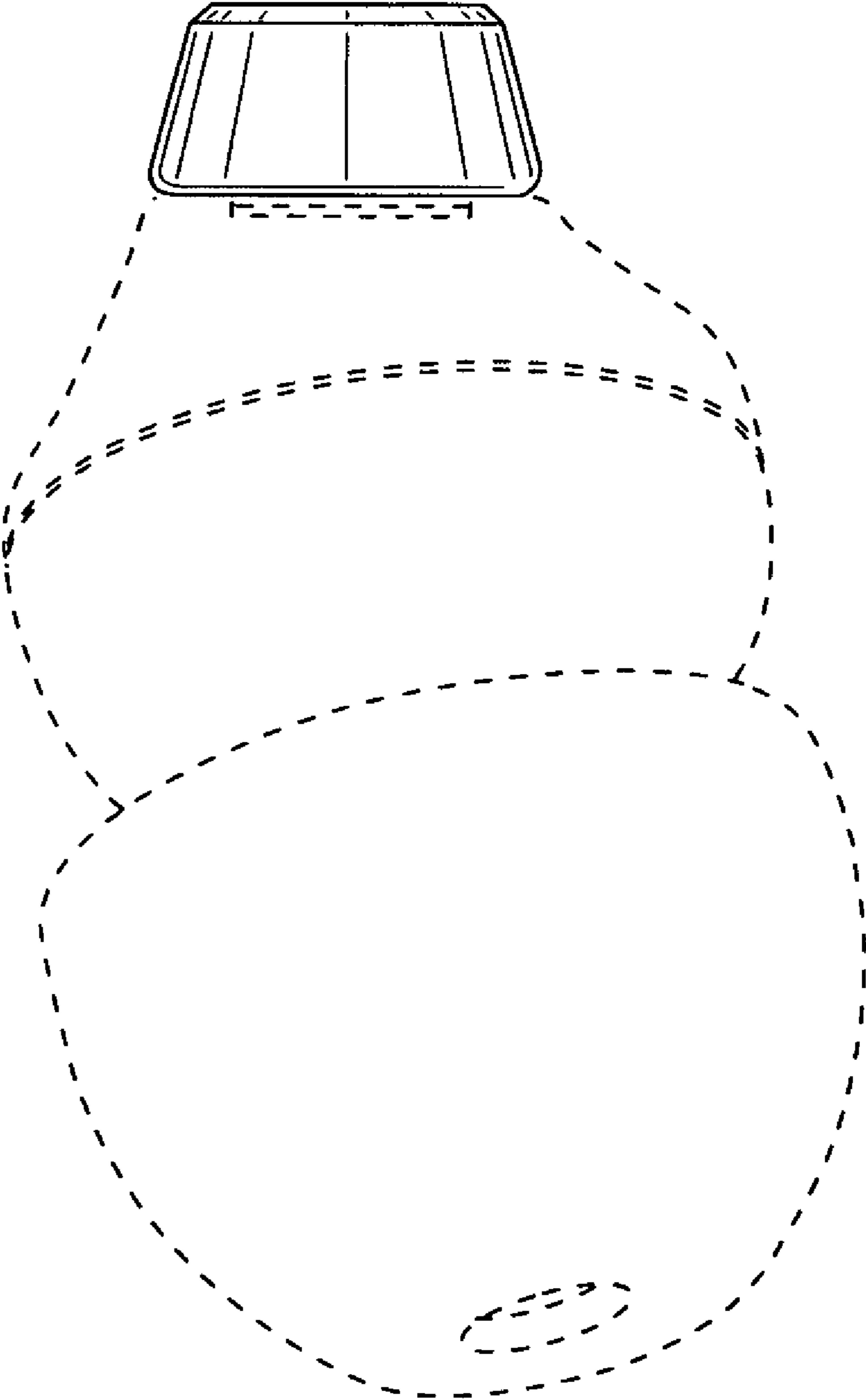


FIG.7

