



US00D601546S

(12) **United States Design Patent**
Lee et al.

(10) **Patent No.:** **US D601,546 S**
(45) **Date of Patent:** **** Oct. 6, 2009**

(54) **WIRELESS SPEAKER SYSTEM**

(75) Inventors: **Tony Lee**, Guangdong (CN); **Roman S. Ferber**, West Bloomfield, MI (US)

(73) Assignee: **FKA Distributing Co.**, Commerce Township, MI (US)

(**) Term: **14 Years**

(21) Appl. No.: **29/330,023**

(22) Filed: **Dec. 26, 2008**

(51) **LOC (9) Cl.** **14-01**

(52) **U.S. Cl.** **D14/209.1**

(58) **Field of Classification Search** D14/203.8,
D14/204, 209.1, 210–217, 168, 170–172,
D14/496; 181/143–144, 147–148, 150–153,
181/157, 198–199; 381/300–303, 306, 332–336,
381/345, 361–364, 386–388

See application file for complete search history.

(56) **References Cited**

U.S. PATENT DOCUMENTS

D359,492 S *	6/1995	Dyas	D14/214
D477,830 S *	7/2003	Hussaini et al.	D14/496
7,095,867 B2 *	8/2006	Schul et al.	381/334
D540,781 S *	4/2007	Patel et al.	D14/214
D542,264 S *	5/2007	Amid-Hozour	D14/168
D563,385 S *	3/2008	Skurdal	D14/214
D579,443 S *	10/2008	Donovan et al.	D14/217

* cited by examiner

Primary Examiner—Nanda Bondade

(74) *Attorney, Agent, or Firm*—Fraser Clemens Martin & Miller LLC; J. Douglas Miller

(57) **CLAIM**

The ornamental design for a wireless speaker system, as shown and described.

DESCRIPTION

FIG. 1 is a perspective view of a wireless speaker system incorporating our new design;

FIG. 2 is a front elevational view thereof;

FIG. 3 is a rear elevational view thereof;

FIG. 4 is a top plan view thereof;

FIG. 5 is a bottom plan view thereof;

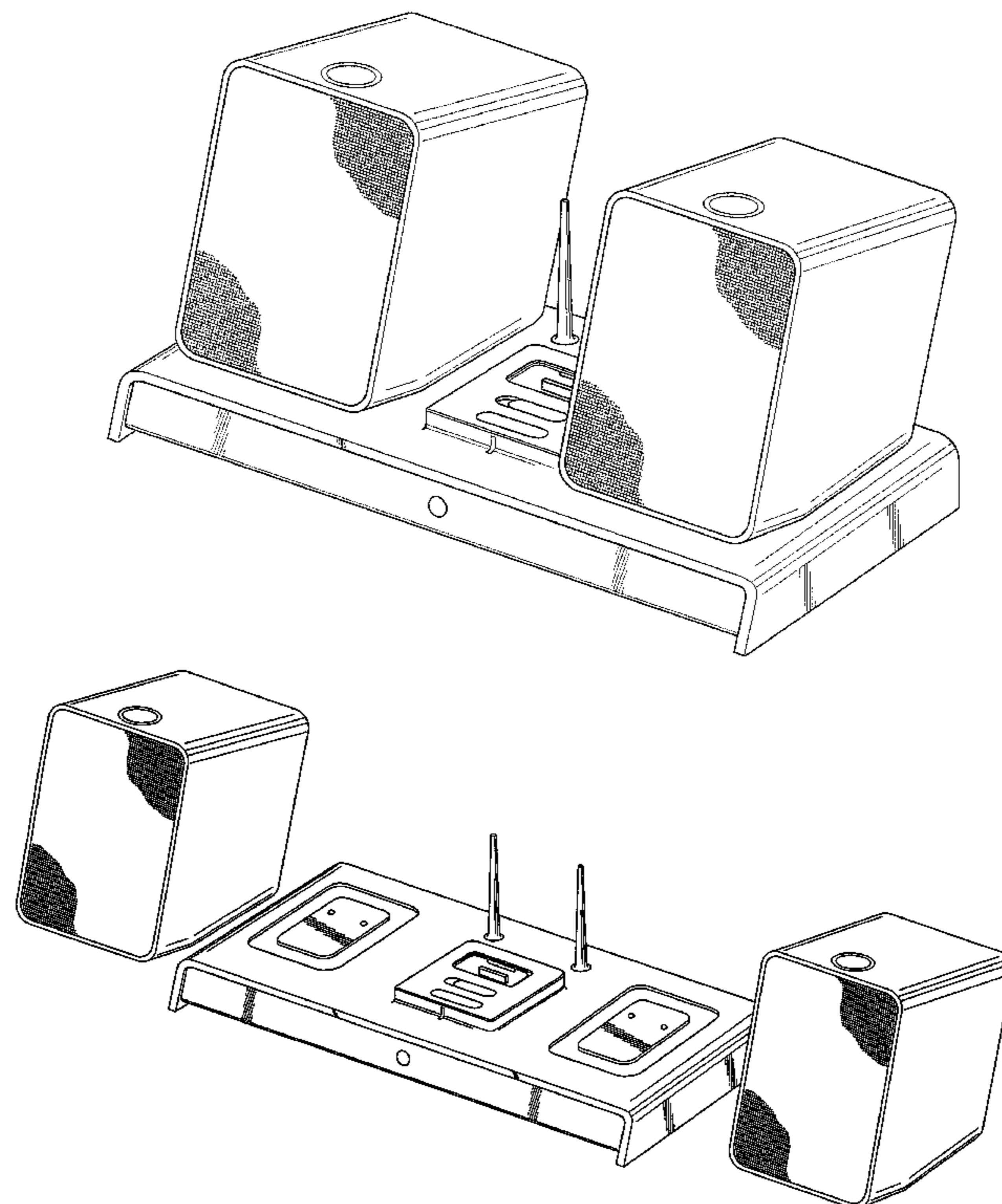
FIG. 6 is a left side elevational view thereof;

FIG. 7 is a right side elevational view thereof;

FIG. 8 is a perspective view of the wireless speaker system illustrated in FIG. 1, showing speakers of the wireless speaker system removed and spaced apart from a base thereof; and,

FIG. 9 is a bottom plan view of one of the speakers of the wireless speaker system, shown separately for clarity of illustration.

1 Claim, 6 Drawing Sheets



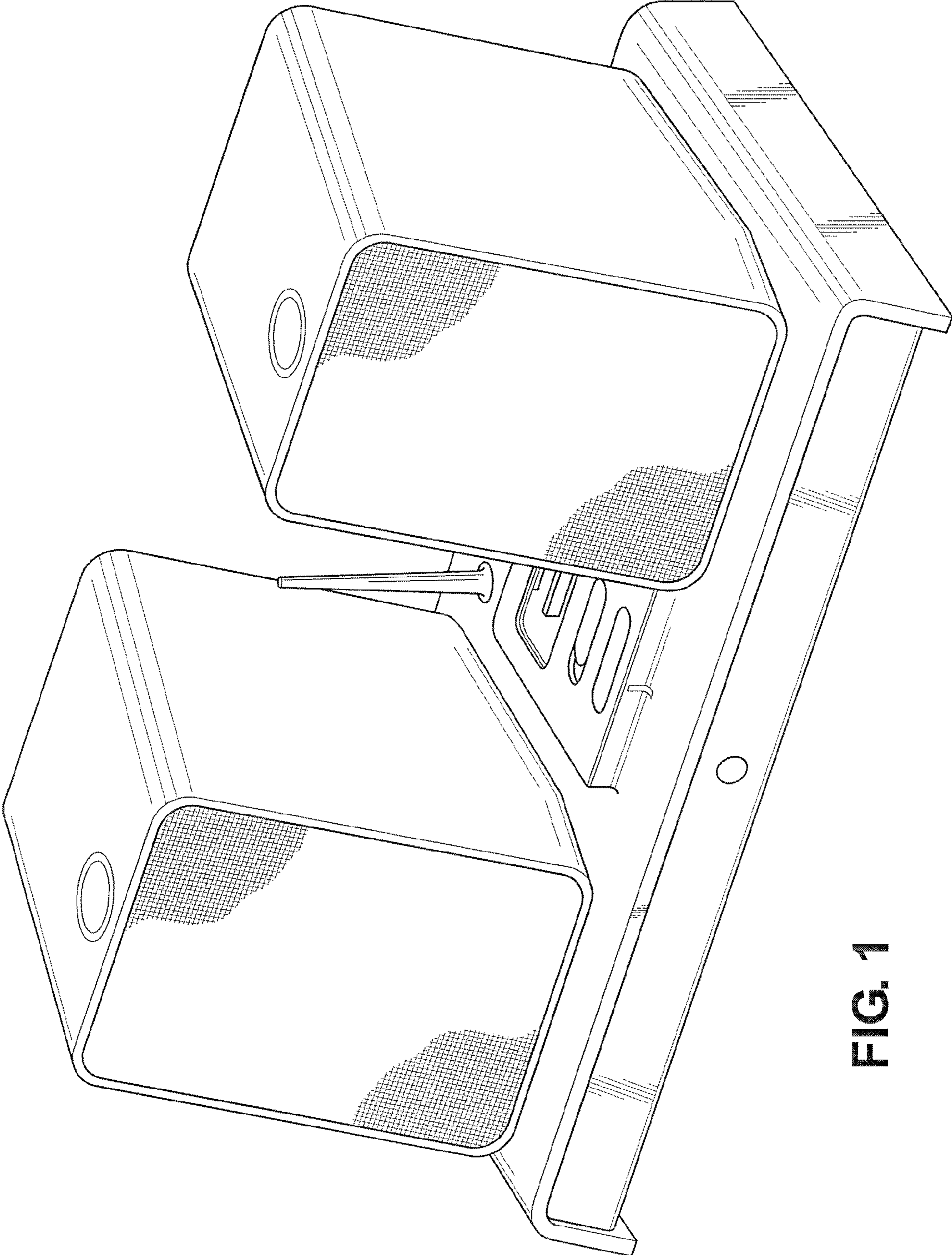


FIG. 1

FIG. 2

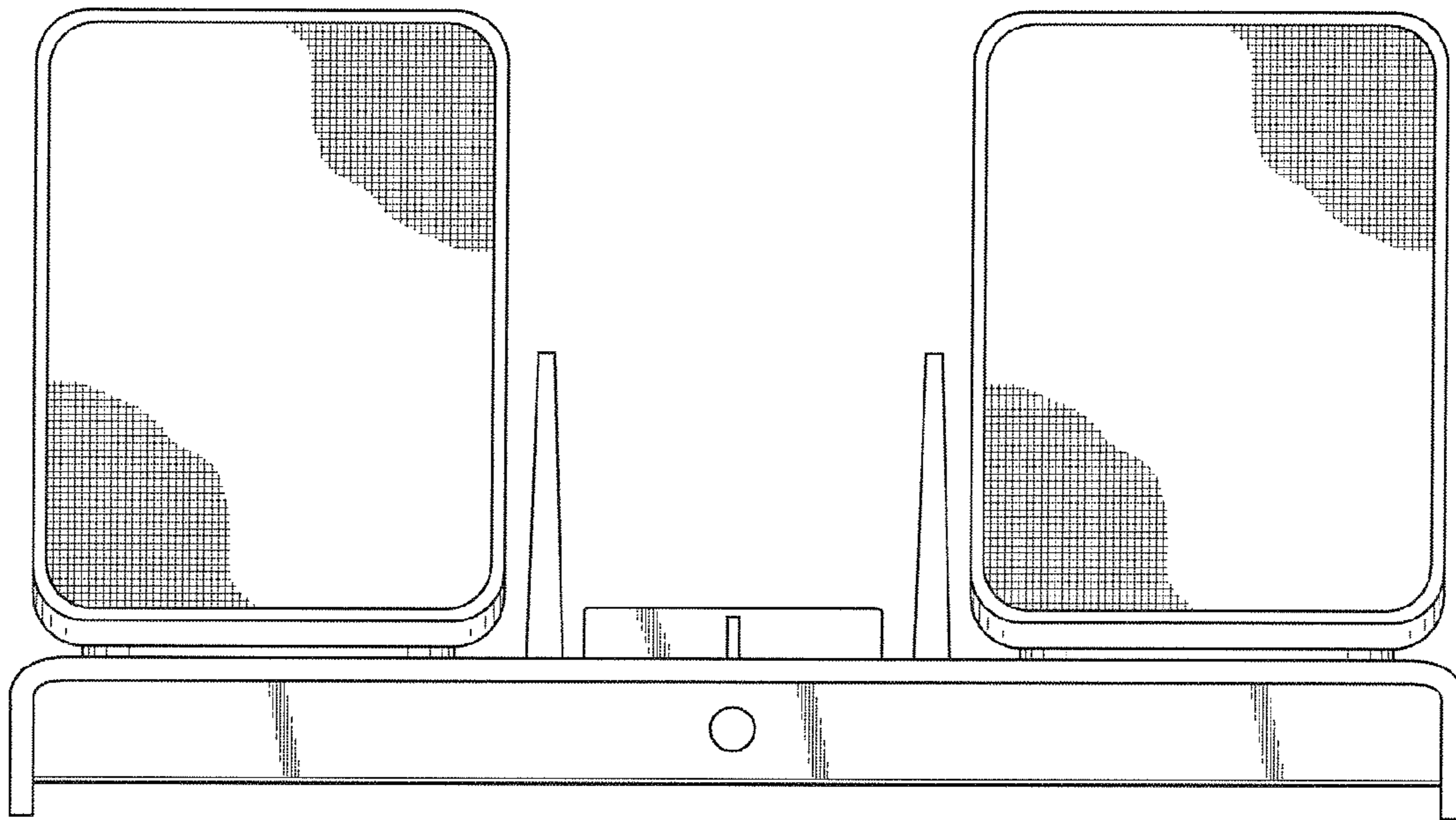
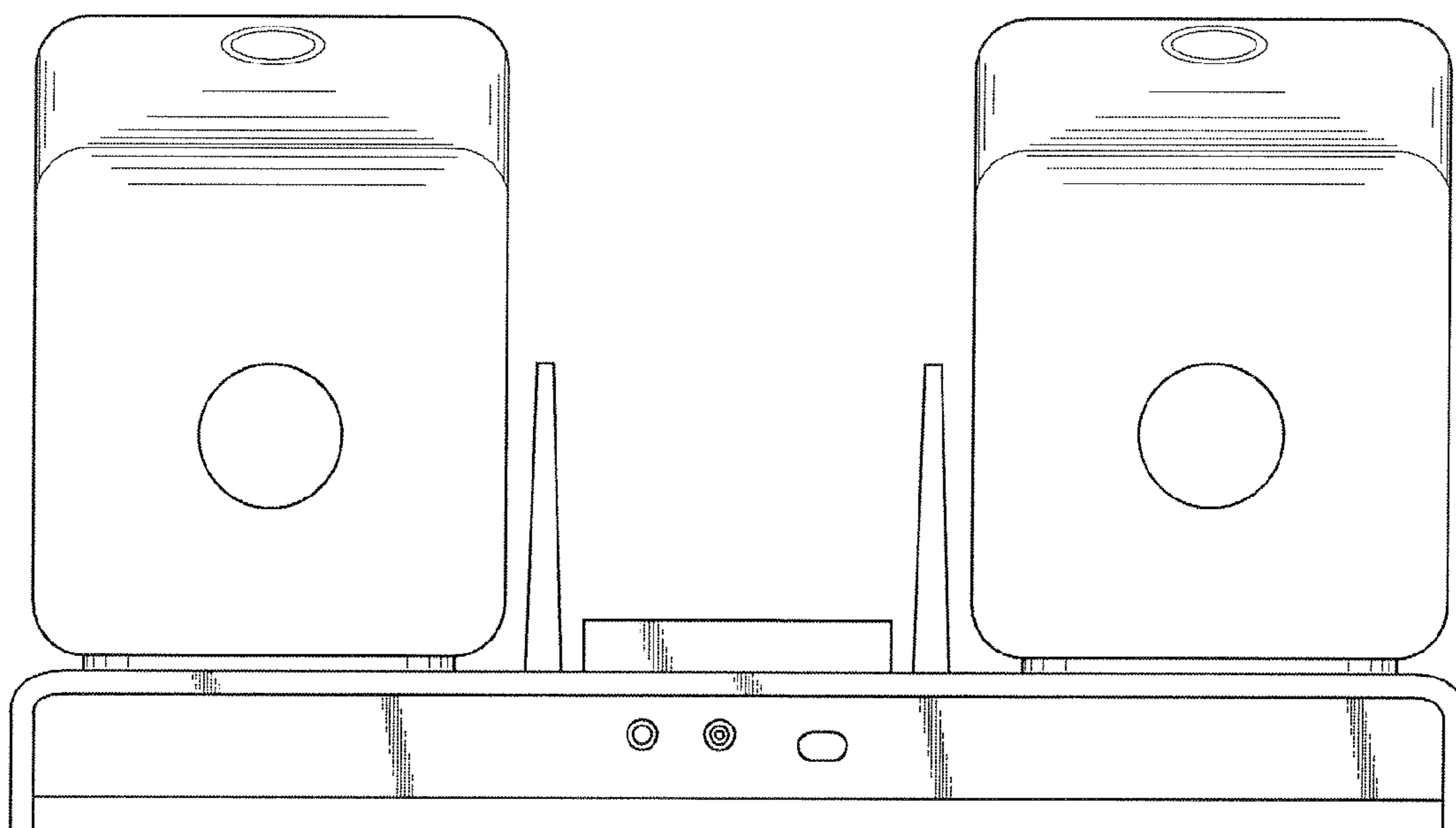


FIG. 3



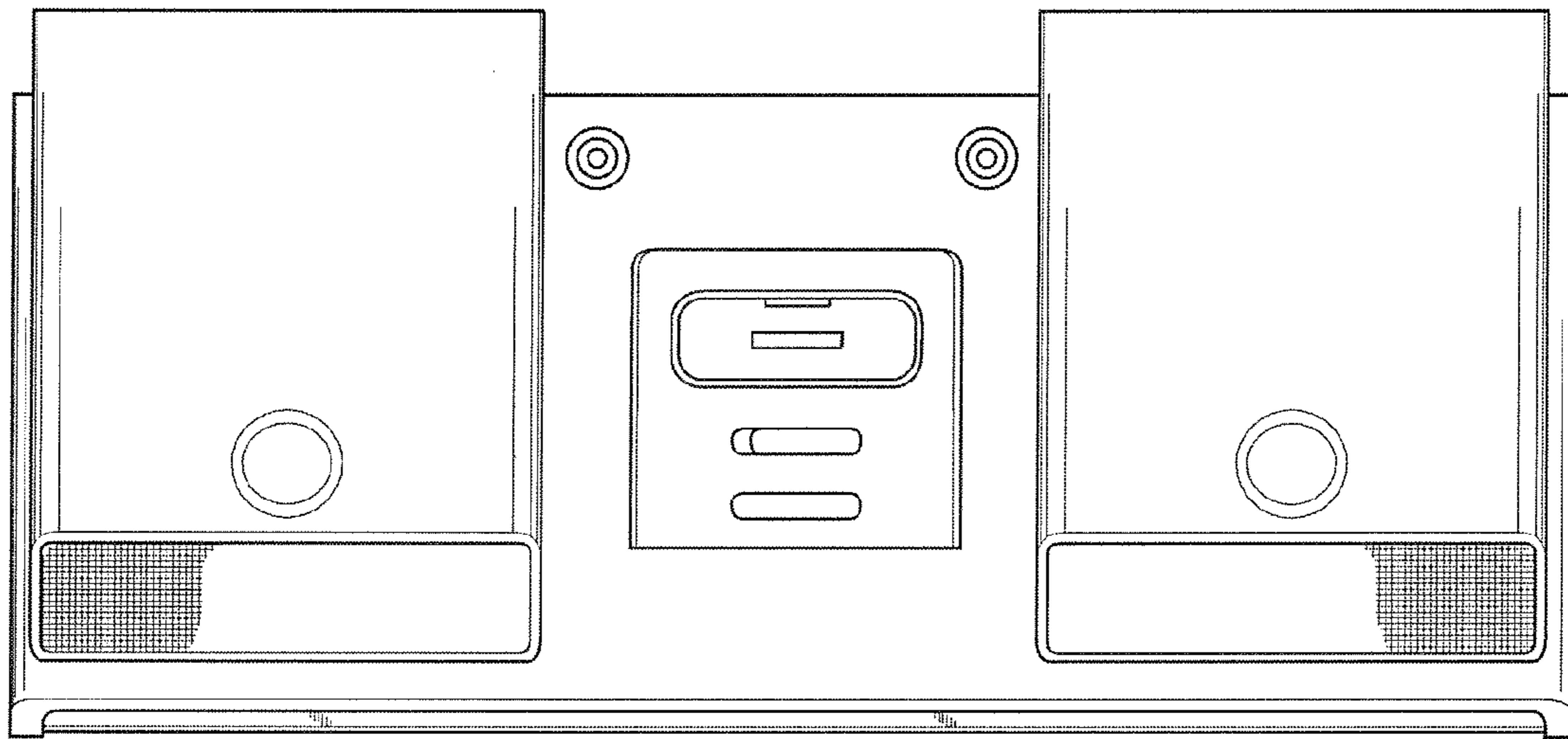


FIG. 4

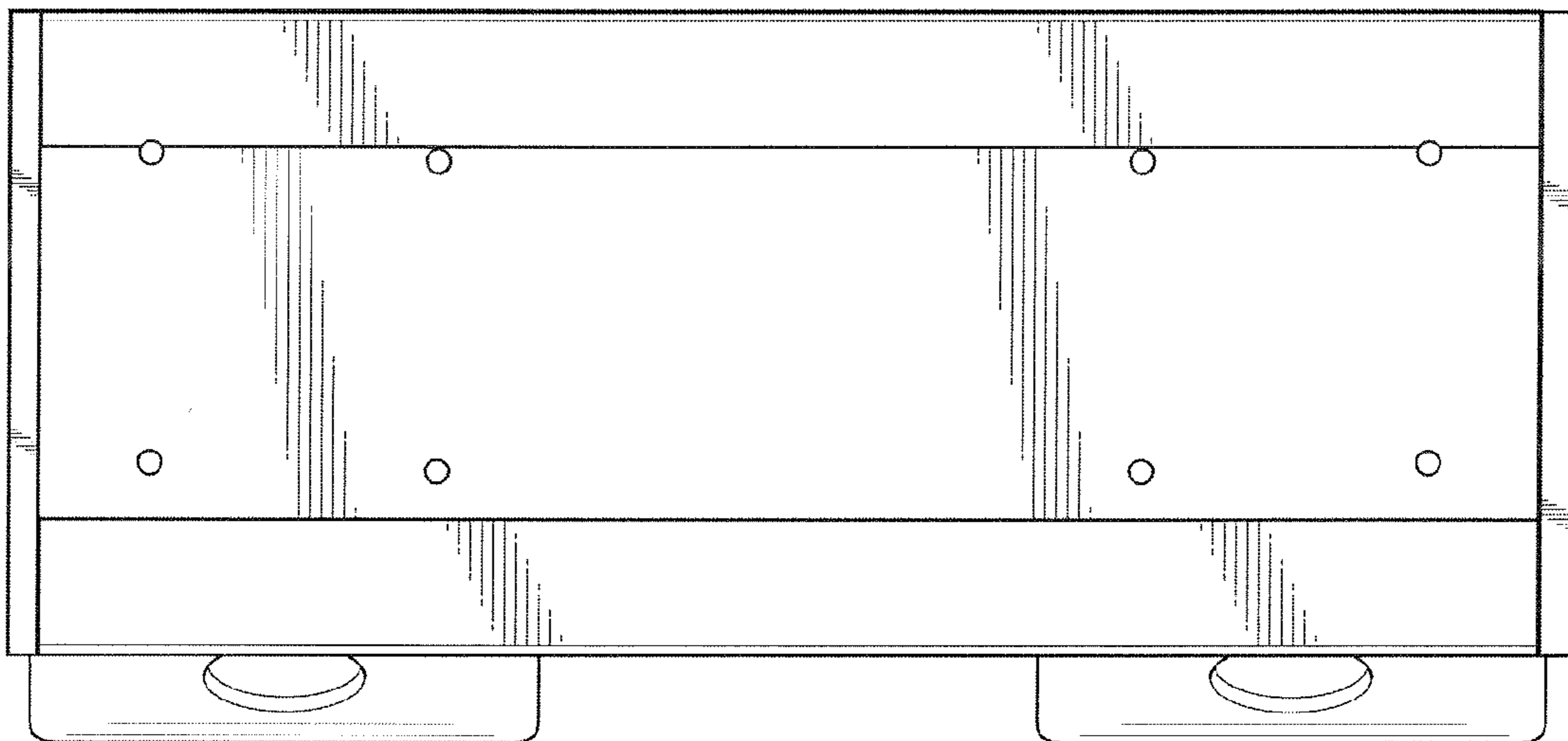


FIG. 5

FIG. 6

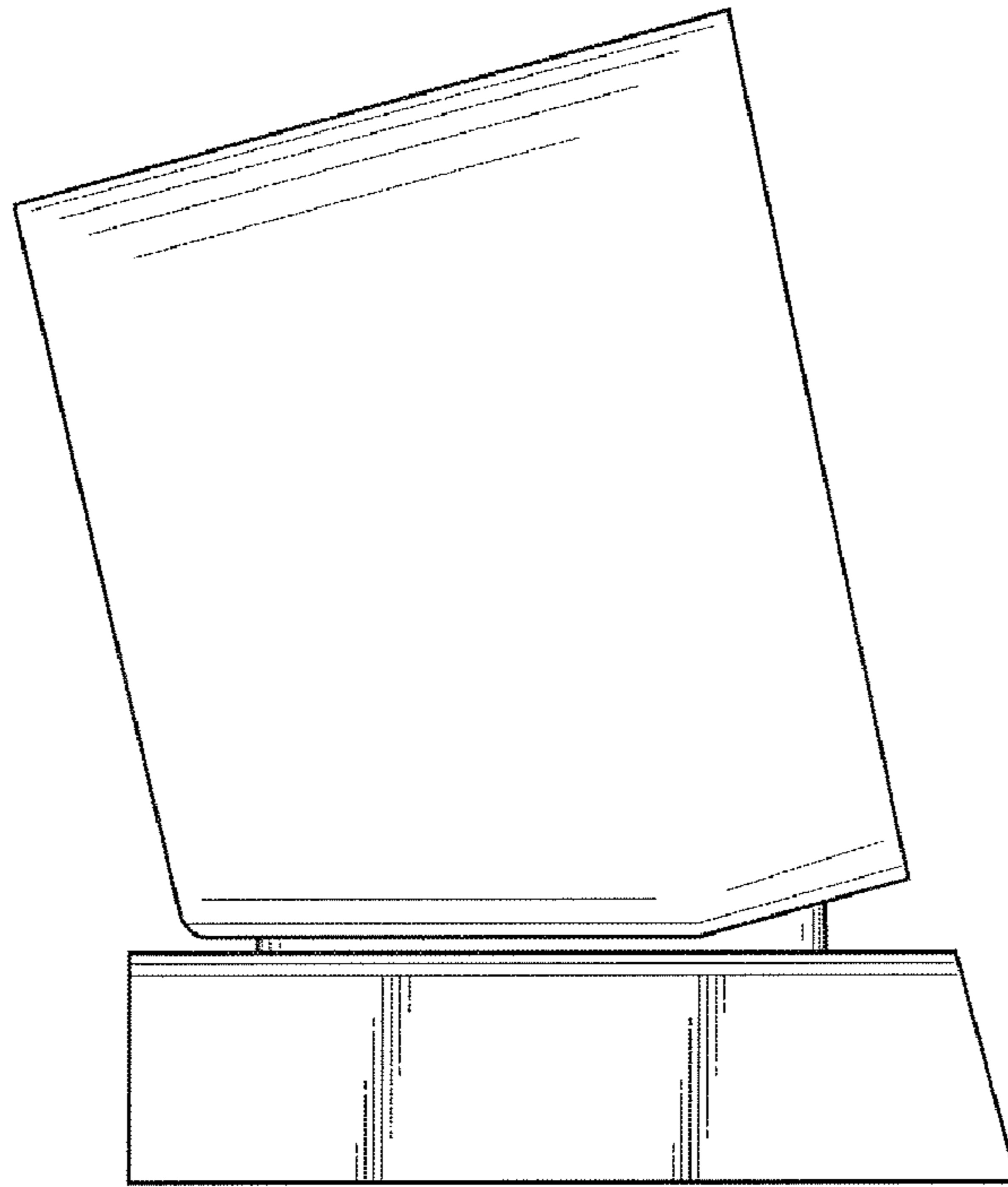
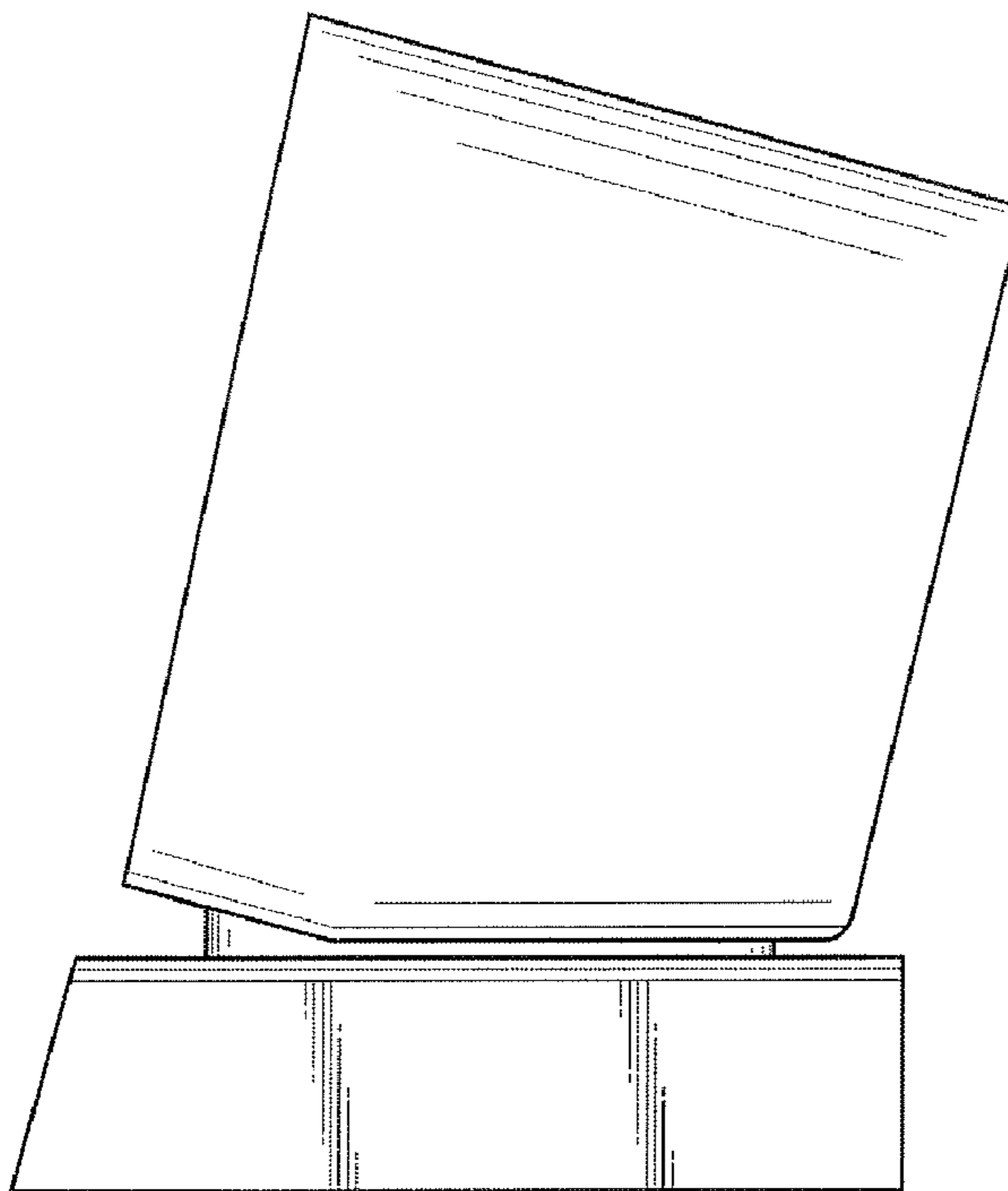


FIG. 7



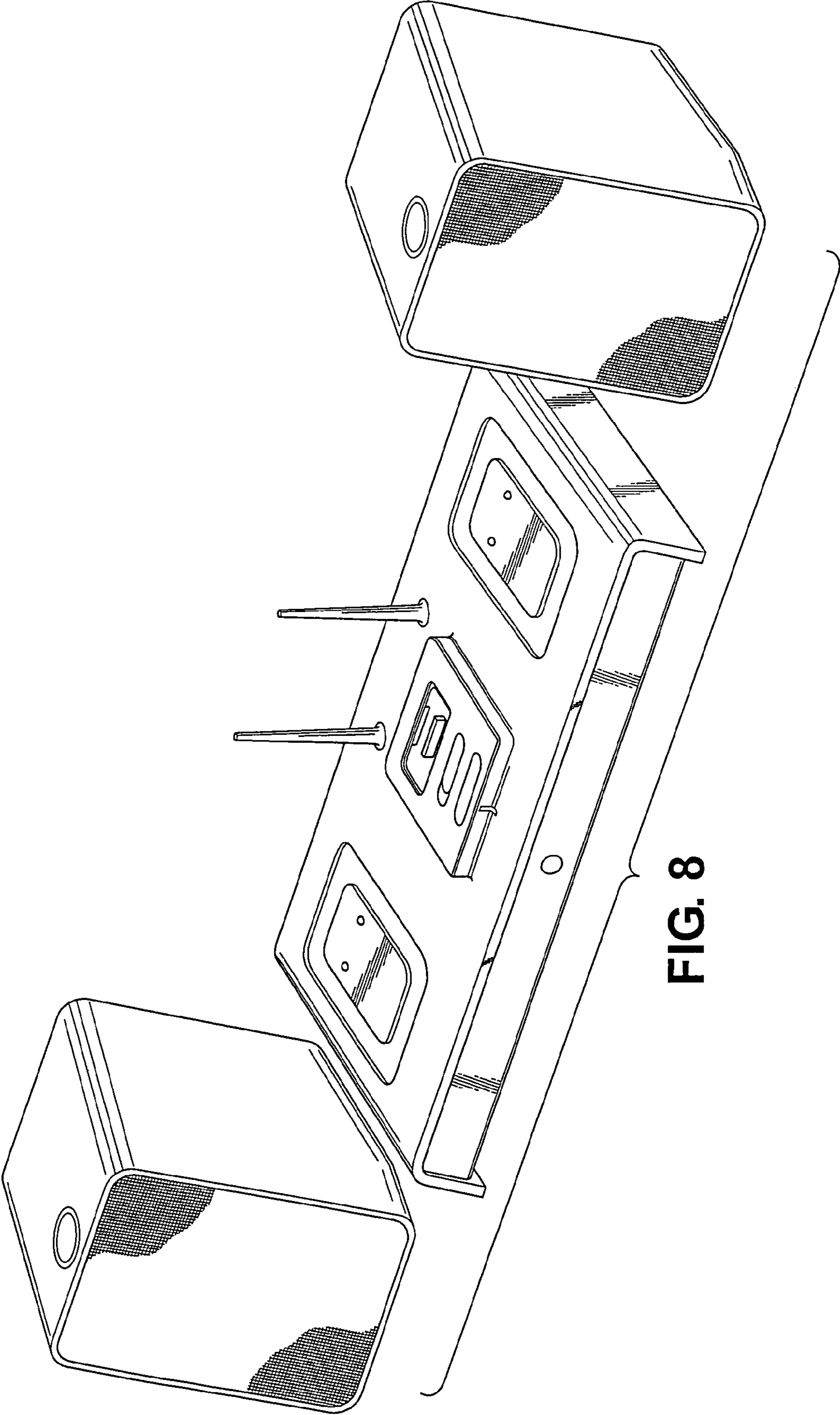


FIG. 8

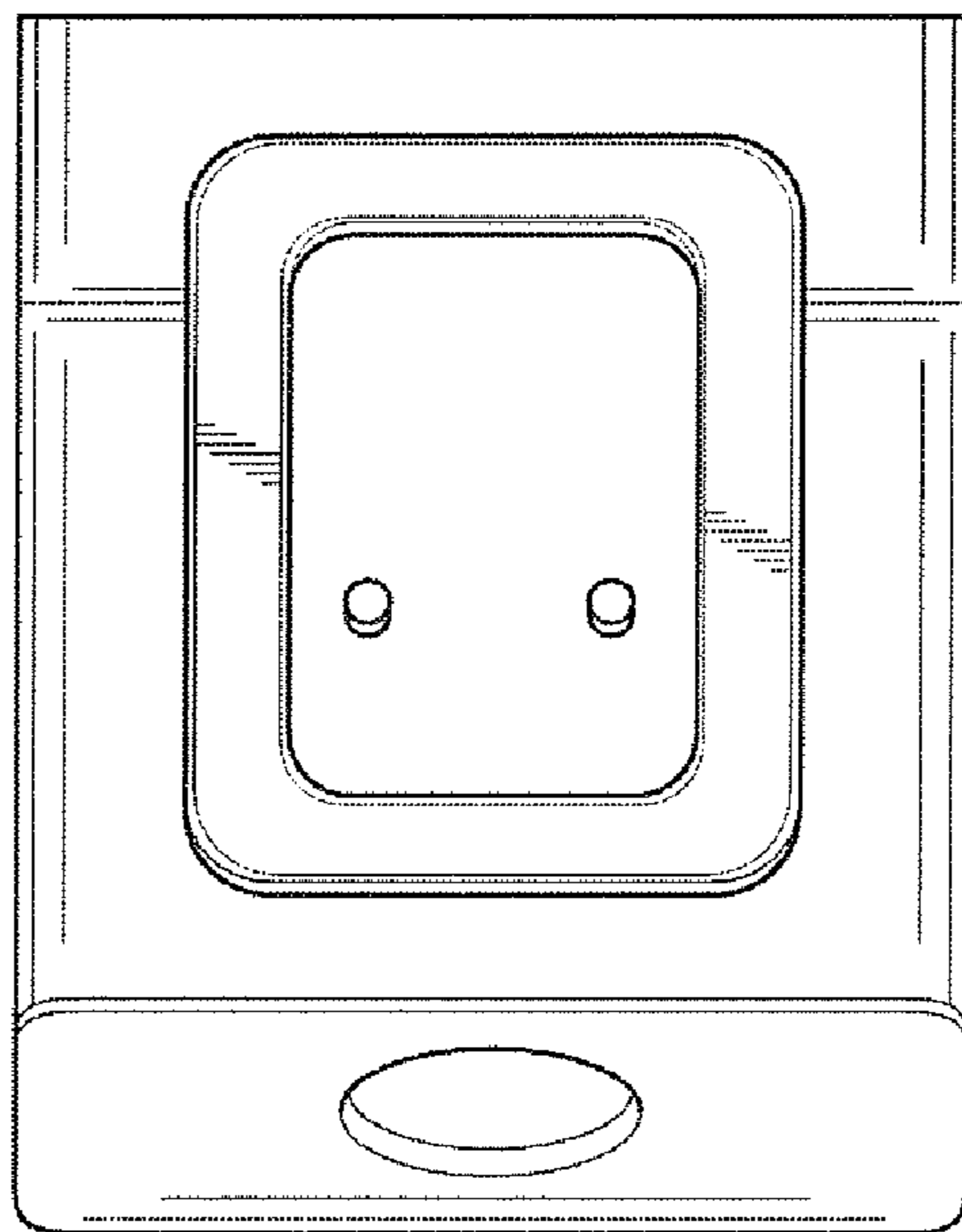


FIG. 9