



US00D601545S

(12) **United States Design Patent**
Joseph

(10) **Patent No.:** **US D601,545 S**
(45) **Date of Patent:** **** Oct. 6, 2009**

(54) **SPEAKER SYSTEM WITH MEDIA PLAYER DOCK**

(75) Inventor: **Brian Joseph**, Brooklyn, NY (US)

(73) Assignee: **SDI Technologies, Inc.**, Rahway, NJ (US)

(**) Term: **14 Years**

(21) Appl. No.: **29/329,998**

(22) Filed: **Dec. 24, 2008**

(51) **LOC (9) Cl.** **14-01**

(52) **U.S. Cl.** **D14/209.1**

(58) **Field of Classification Search** D14/203.8,
D14/204, 209.1, 210–217, 168, 170–172,
D14/496; 181/143–144, 147–148, 150–153,
181/157, 198–199; 381/300–303, 306, 332–336,
381/345, 361–364, 386–388

See application file for complete search history.

(56) **References Cited**

U.S. PATENT DOCUMENTS

4,942,939	A	*	7/1990	Harrison	181/199
D359,285	S	*	6/1995	Niblett	D14/171
D475,360	S	*	6/2003	Yoneda et al.	D14/168
D492,277	S	*	6/2004	Esslinger et al.	D14/168
D513,745	S	*	1/2006	Allen	D14/211
D521,498	S	*	5/2006	Omori et al.	D14/215
D524,798	S	*	7/2006	Koizumi	D14/215

D542,264 S * 5/2007 Amid-Hozour D14/168

* cited by examiner

Primary Examiner—Nanda Bondade

(74) *Attorney, Agent, or Firm*—Ostrolenk Faber LLP

(57) **CLAIM**

The ornamental design for a speaker system with media player dock, as shown and described.

DESCRIPTION

FIG. 1 is a top, front, side, perspective view of a speaker system with media player dock showing my new design;

FIG. 2 is a top, rear, side, perspective view thereof;

FIG. 3 is a front view thereof;

FIG. 4 is a side view thereof, the opposite side being a mirror image;

FIG. 5 is a bottom view thereof;

FIG. 6 is a rear view thereof;

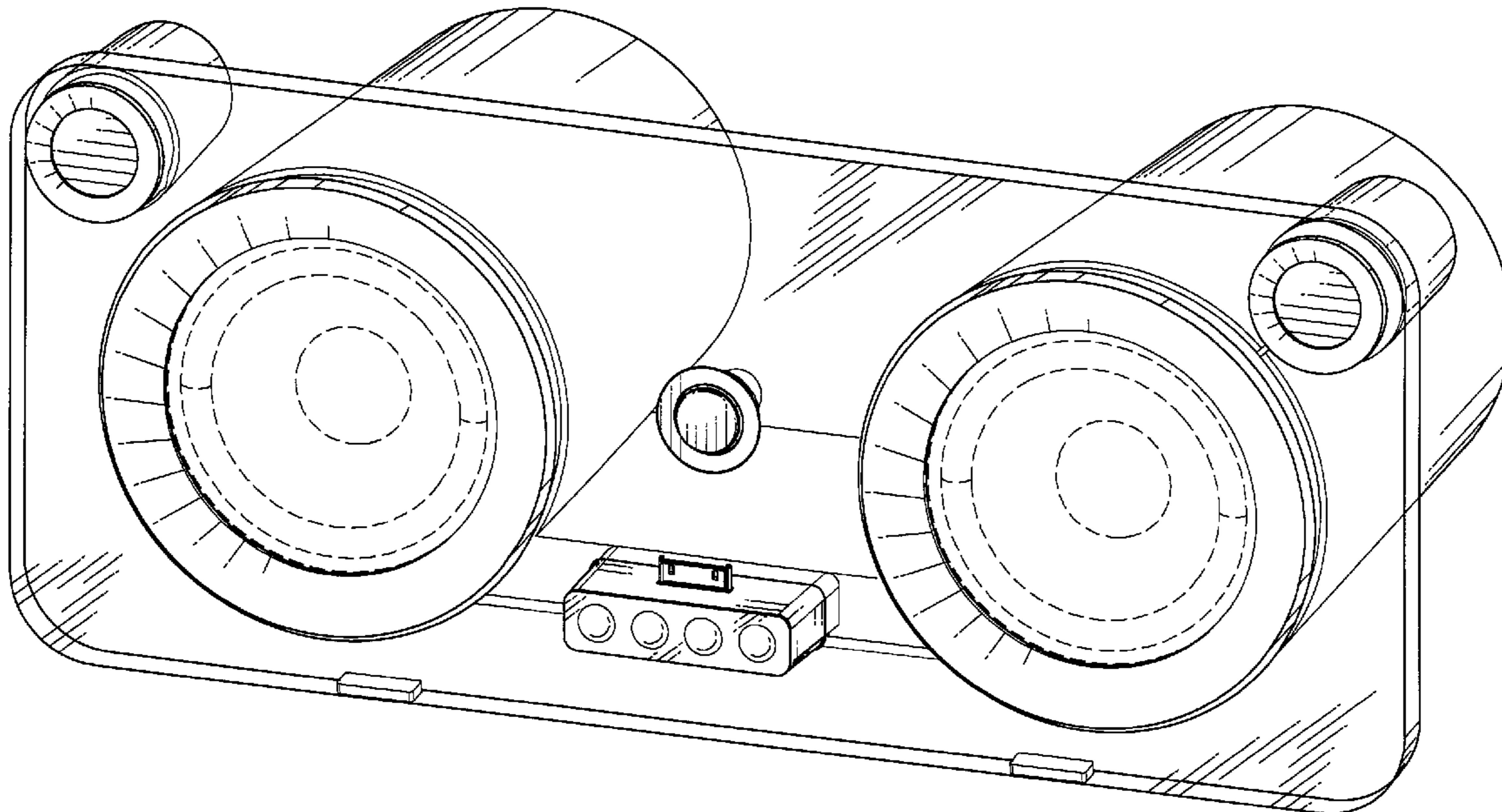
FIG. 7 is a top view thereof;

FIG. 8 is a cross-sectional view thereof, along the path 8—8 in FIG. 3; and,

FIG. 9 is a cross-sectional view thereof, along the path 9—9 in FIG. 3.

The broken lines showing is of environmental material and forms no part of the claimed design.

1 Claim, 9 Drawing Sheets



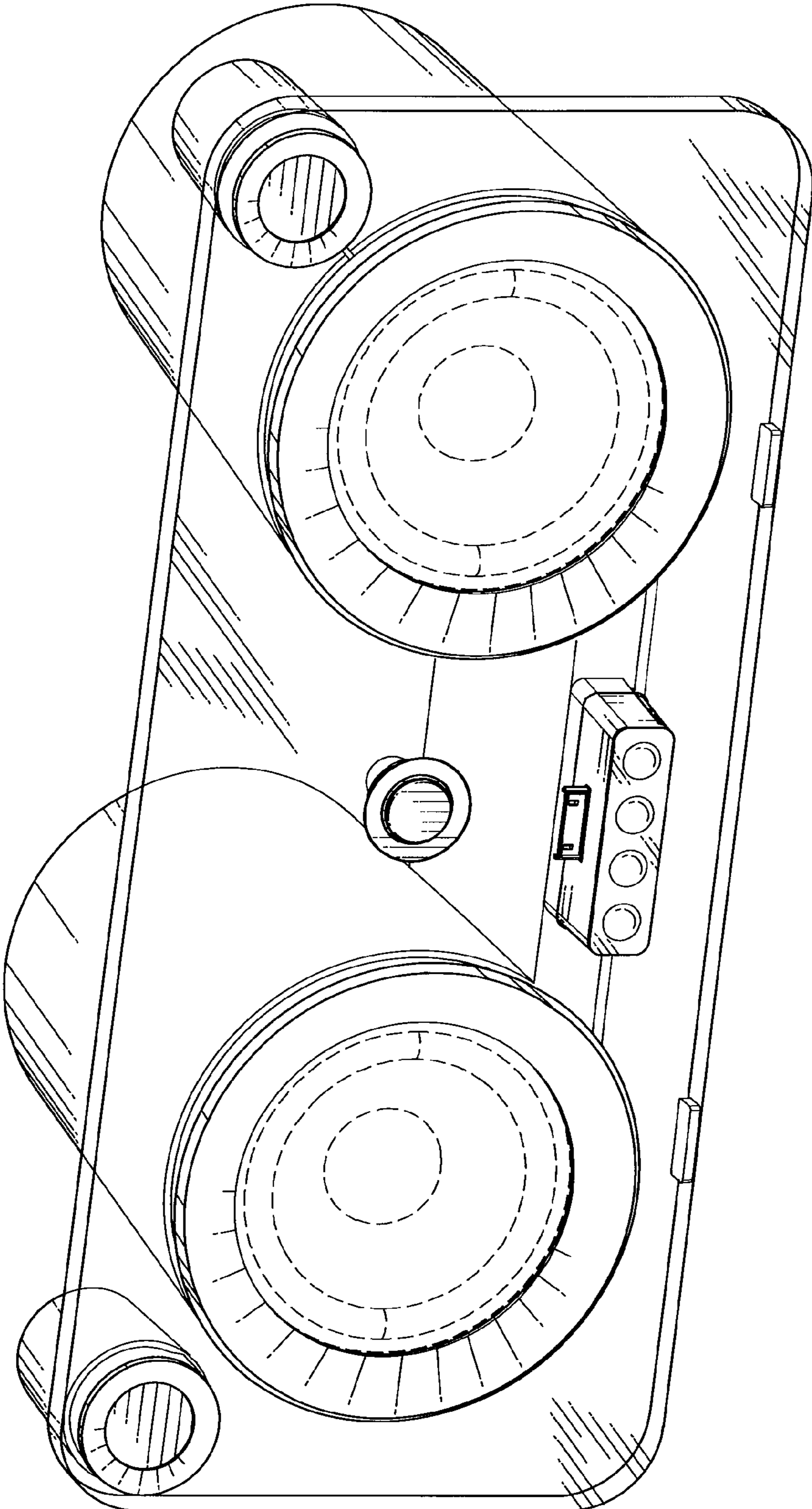


FIG. 1

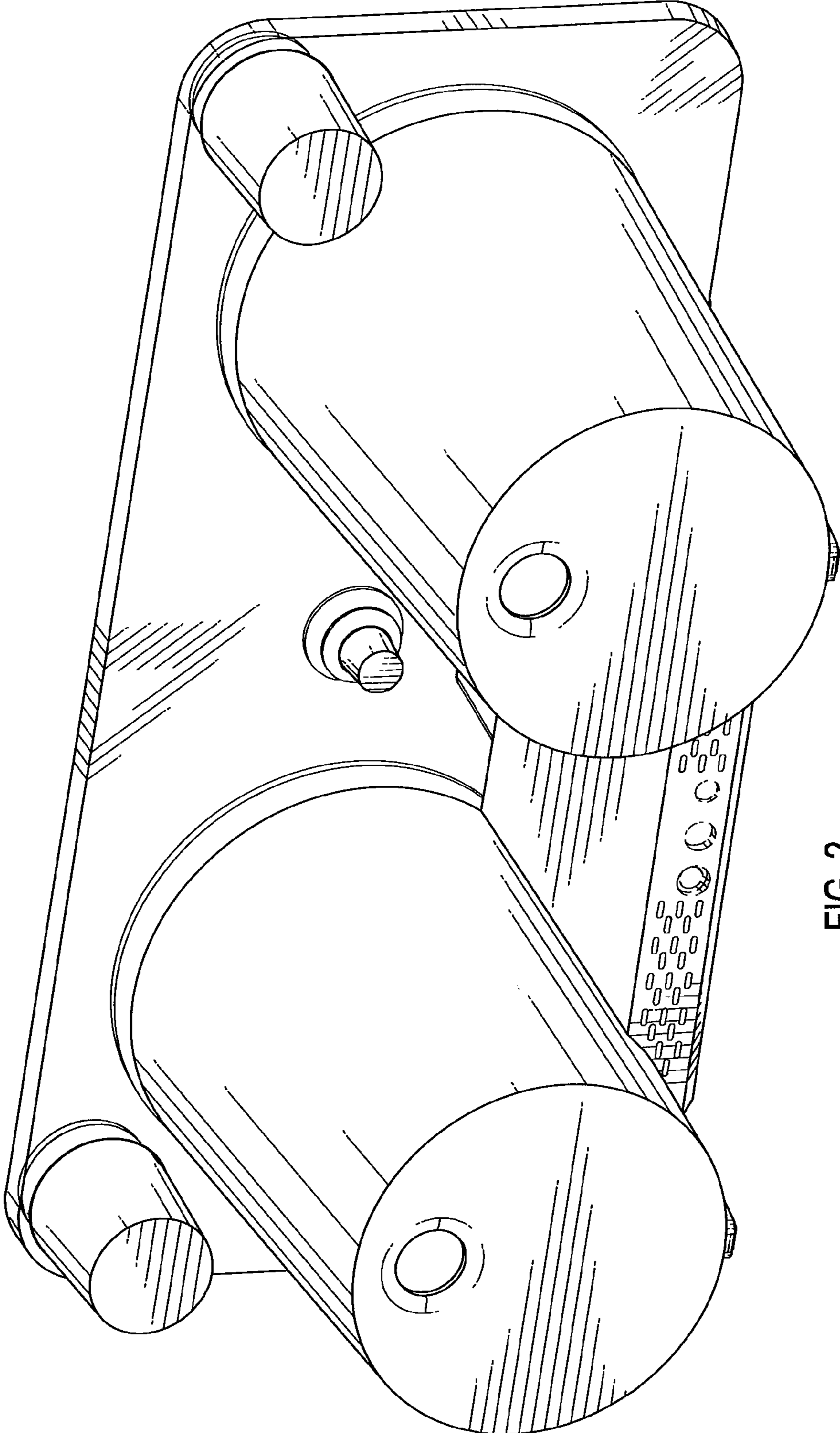


FIG. 2

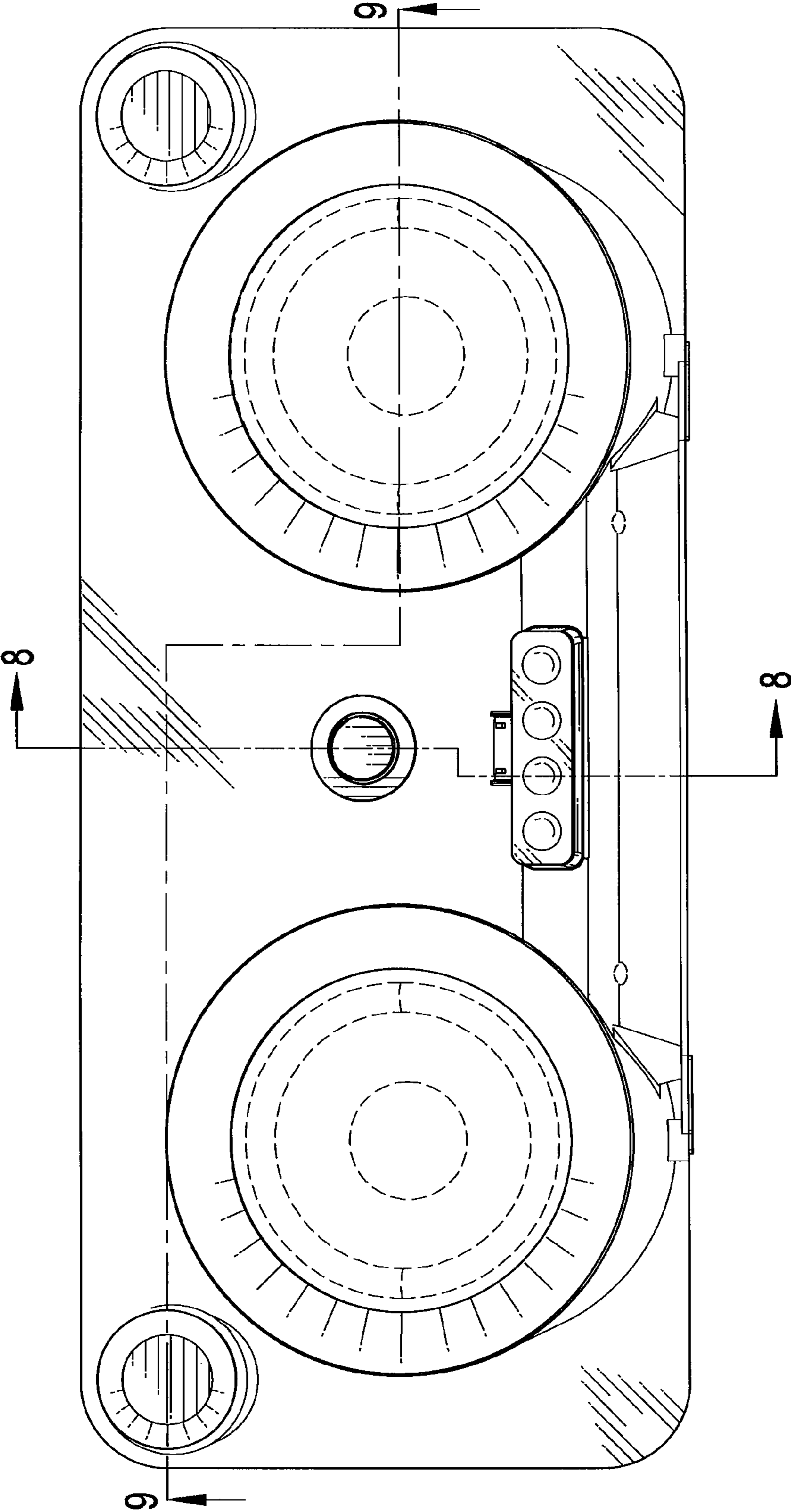


FIG. 3

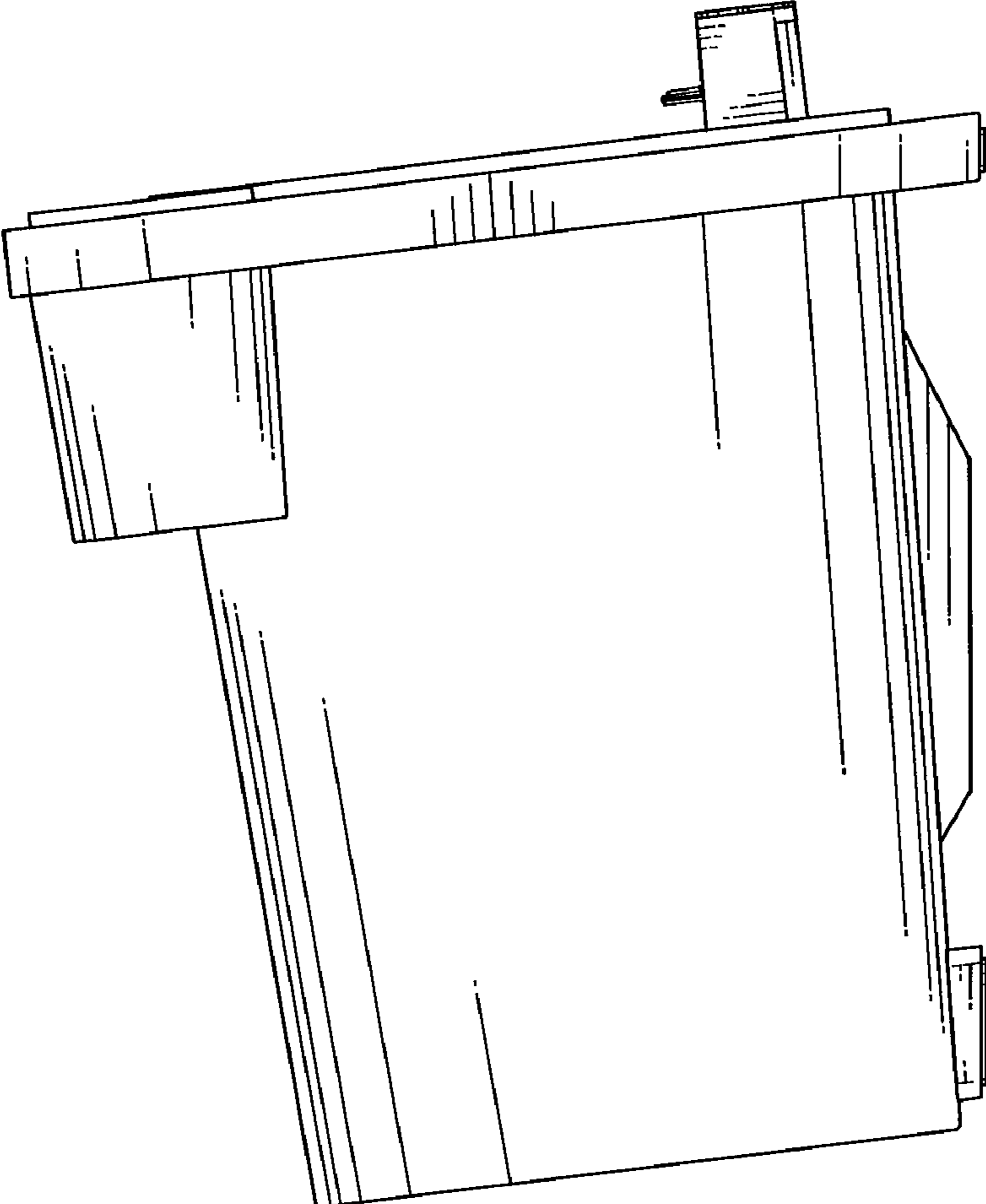


FIG. 4

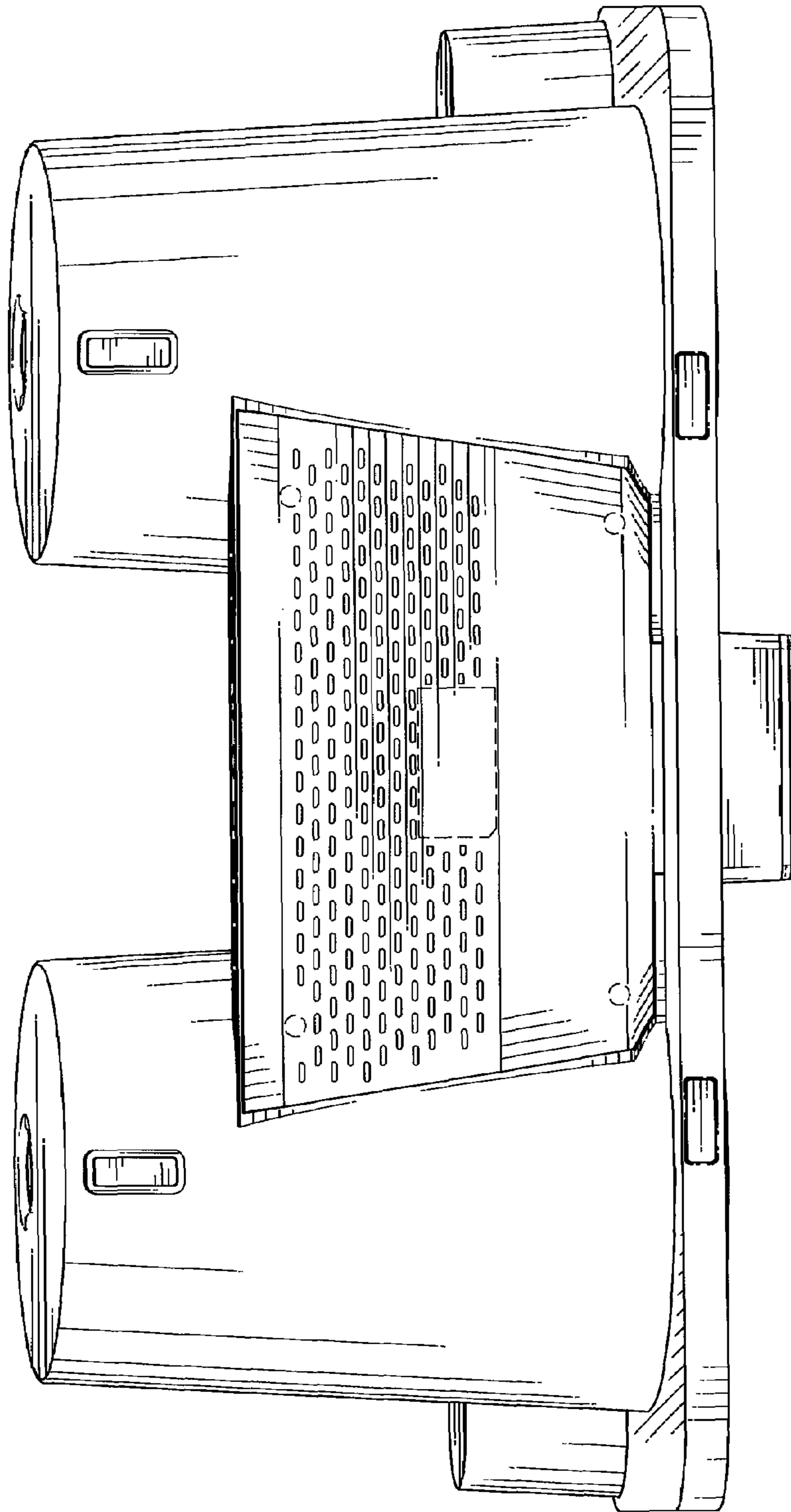


FIG. 5

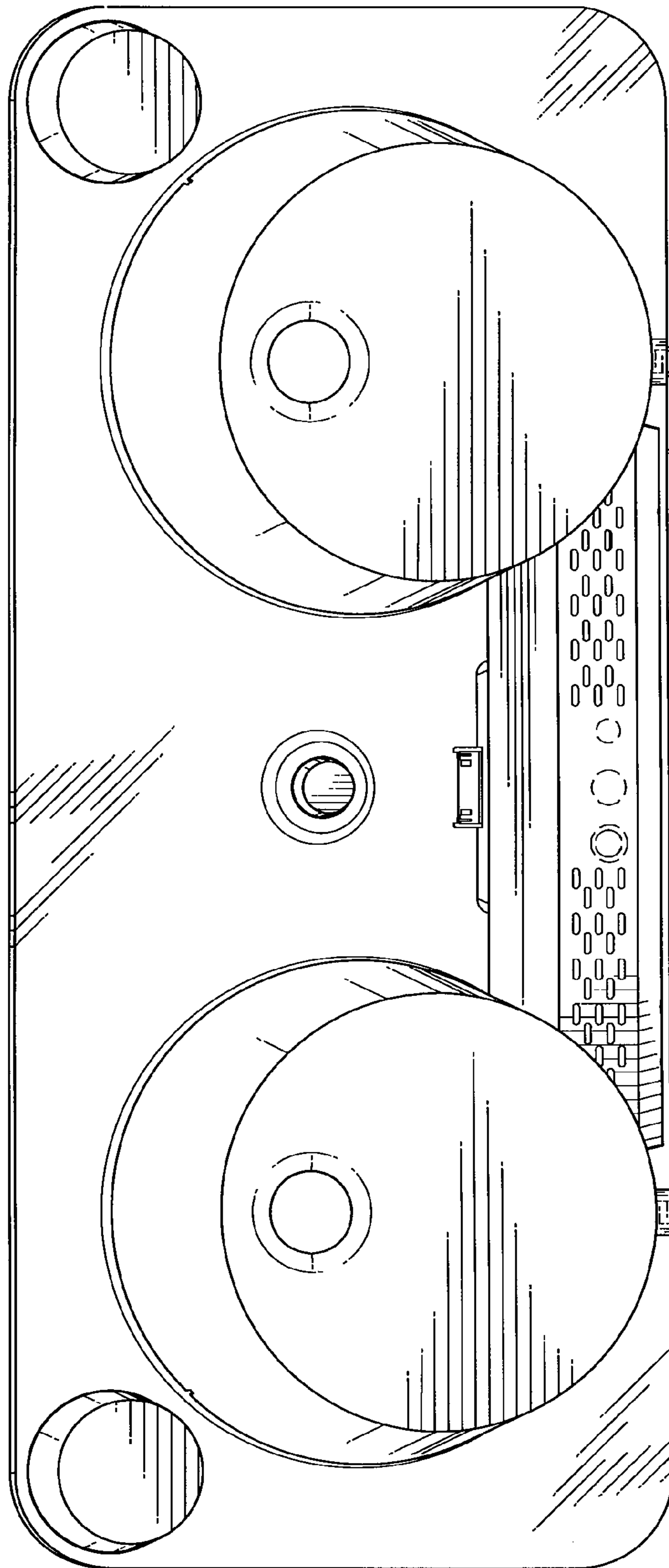


FIG. 6

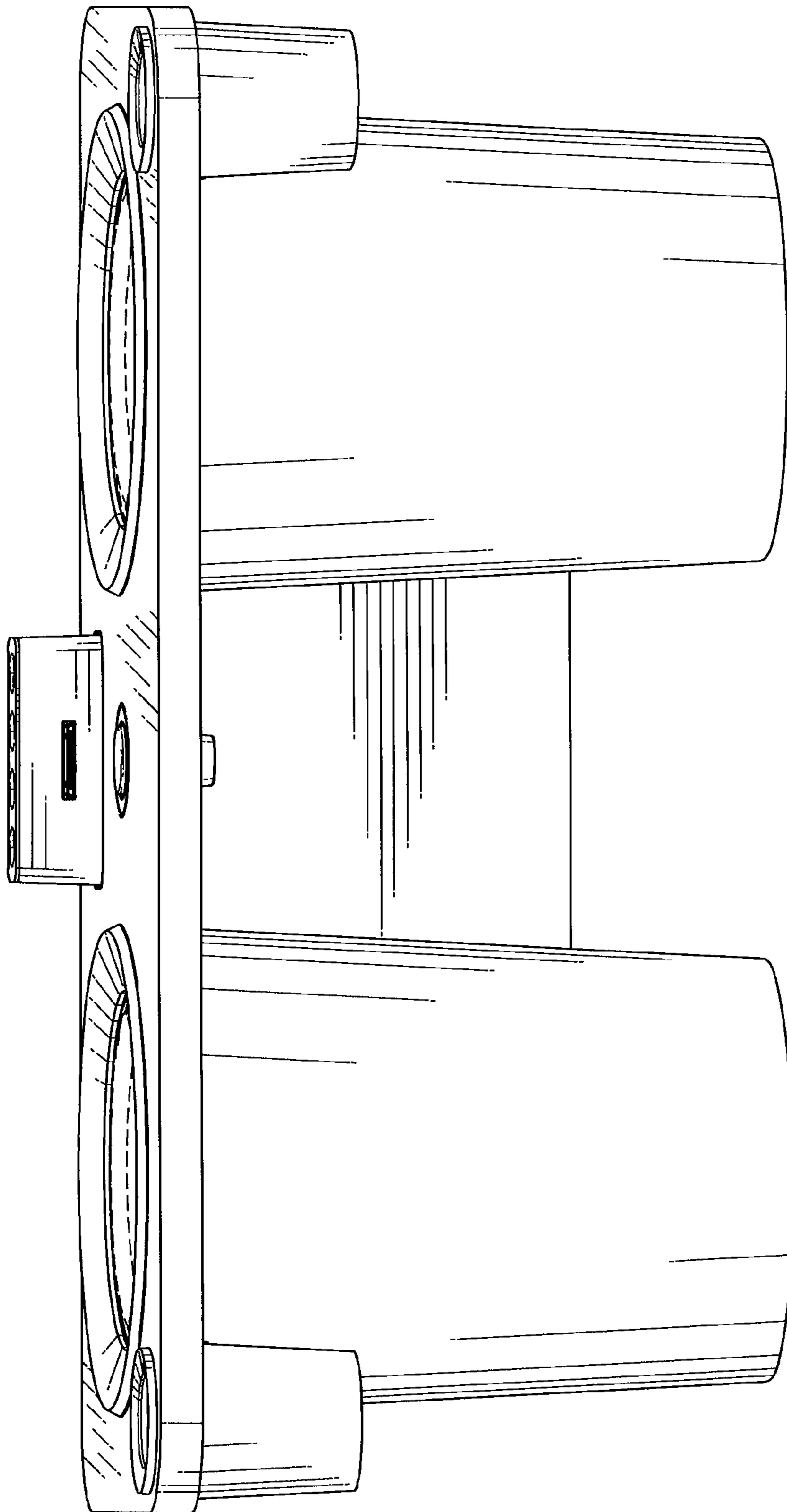


FIG. 7

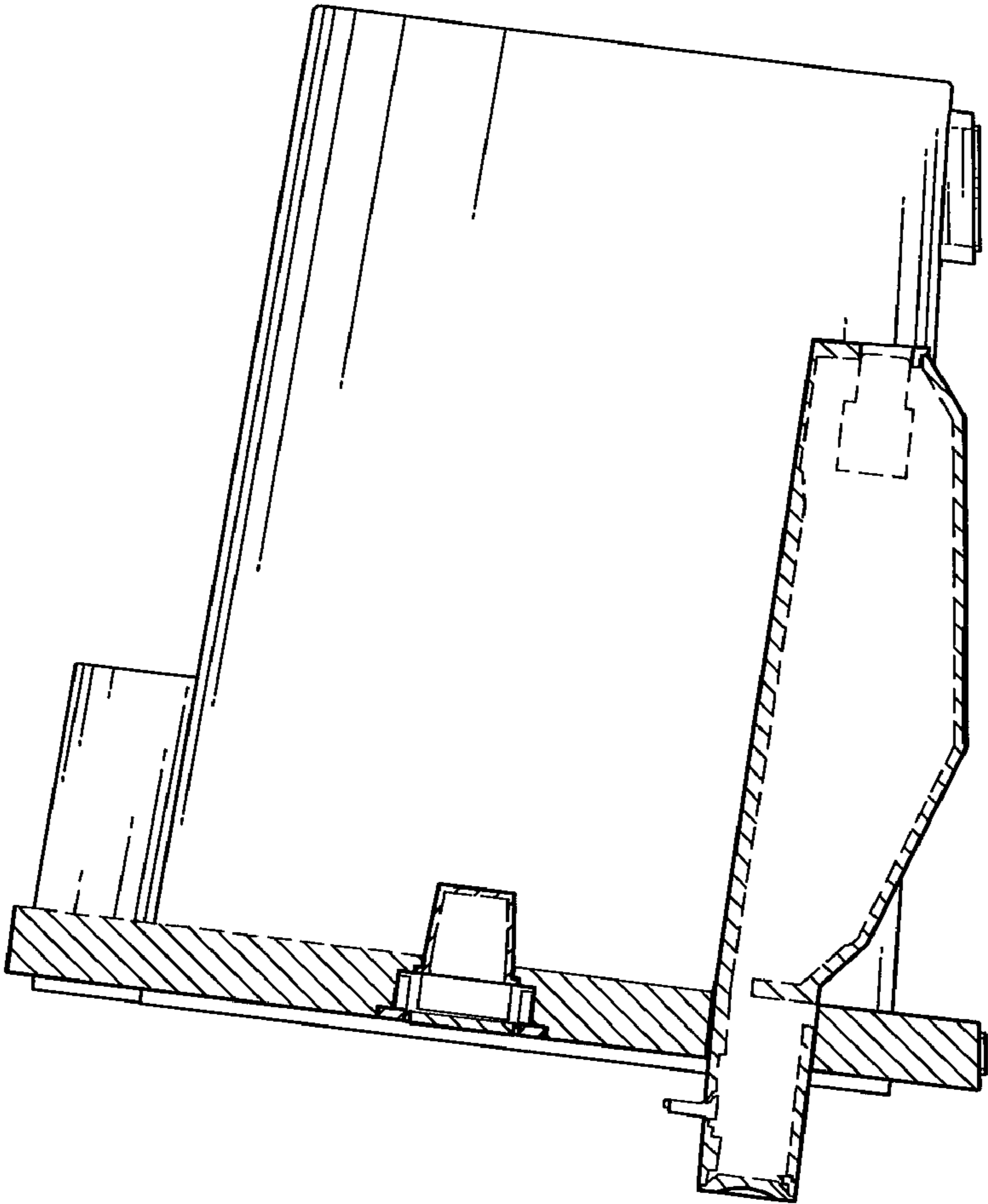


FIG. 8

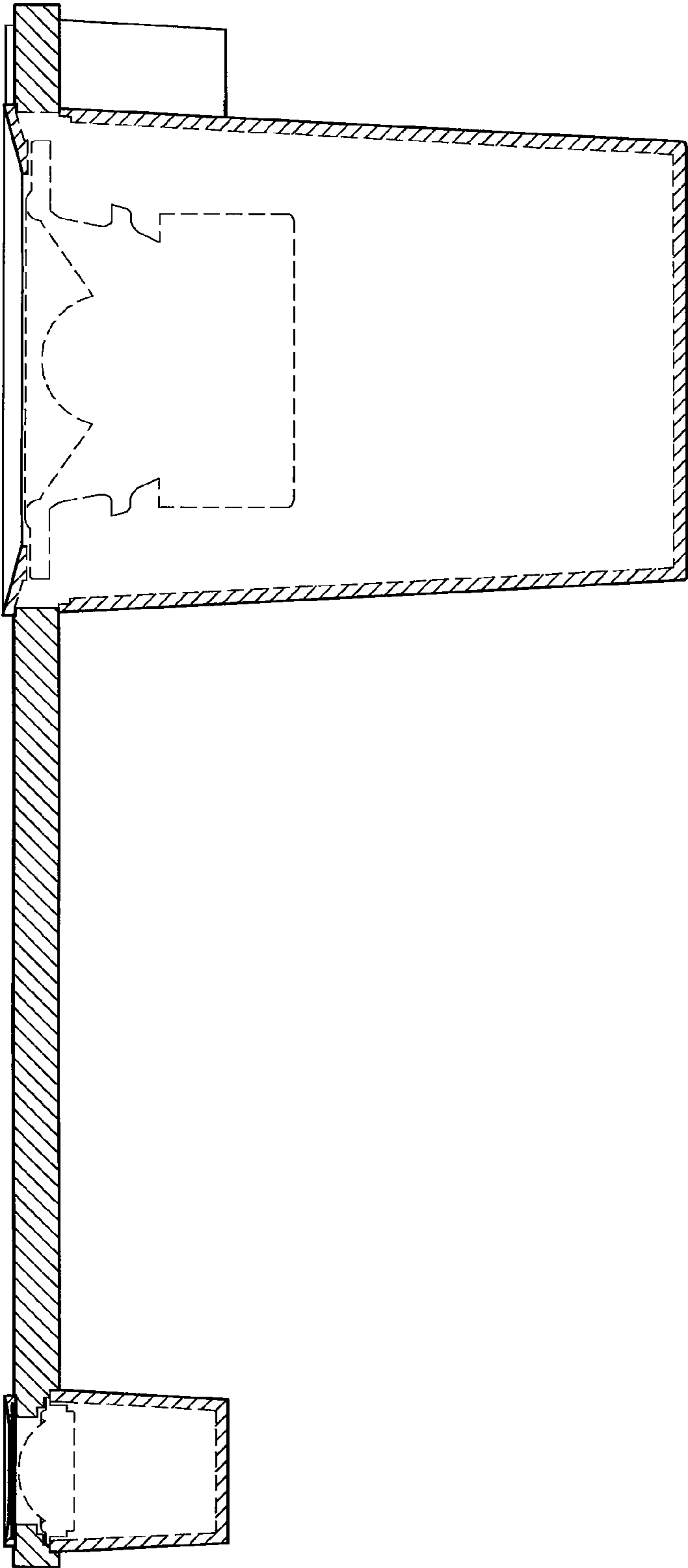


FIG. 9