

US00D601544S

(12) **United States Design Patent**
Moeggenberg et al.

(10) **Patent No.:** **US D601,544 S**

(45) **Date of Patent:** **** Oct. 6, 2009**

(54) **SPEAKER WITH A DOCKING STATION**

D538,267 S * 3/2007 Christianson et al. D14/216
D541,260 S * 4/2007 Christianson D14/215

(75) Inventors: **Sarah Moeggenberg**, Northville, MI (US); **Mordechai Lev**, West Bloomfield, MI (US); **Roman S Ferber**, West Bloomfield, MI (US)

* cited by examiner

Primary Examiner—Nanda Bondade
(74) *Attorney, Agent, or Firm*—Fraser Clemens; Martin & Miller LLC; J. Douglas Miller

(73) Assignee: **FKA Distributing Co.**, Commerce Township, MI (US)

(57) **CLAIM**

(**) Term: **14 Years**

The ornamental design for a speaker with a docking station, as shown and described.

(21) Appl. No.: **29/326,411**

(22) Filed: **Oct. 17, 2008**

DESCRIPTION

(51) **LOC (9) Cl.** **14-01**

FIG. 1 is a perspective view of a speaker with a docking station incorporating our new design;

(52) **U.S. Cl.** **D14/209.1**

FIG. 2 is a front elevational view thereof;

(58) **Field of Classification Search** D14/204,
D14/209.1, 210–214, 217, 168, 172; 181/143–144,
181/147–148, 150–153, 157, 198–199; 381/300–303,
381/306, 332–333, 336, 345, 361–364, 386–388
See application file for complete search history.

FIG. 3 is a rear elevational view thereof;

FIG. 4 is a left side elevational view thereof;

FIG. 5 is a right side elevational view thereof;

FIG. 6 is a top plan view thereof; and,

FIG. 7 is a bottom plan view of thereof.

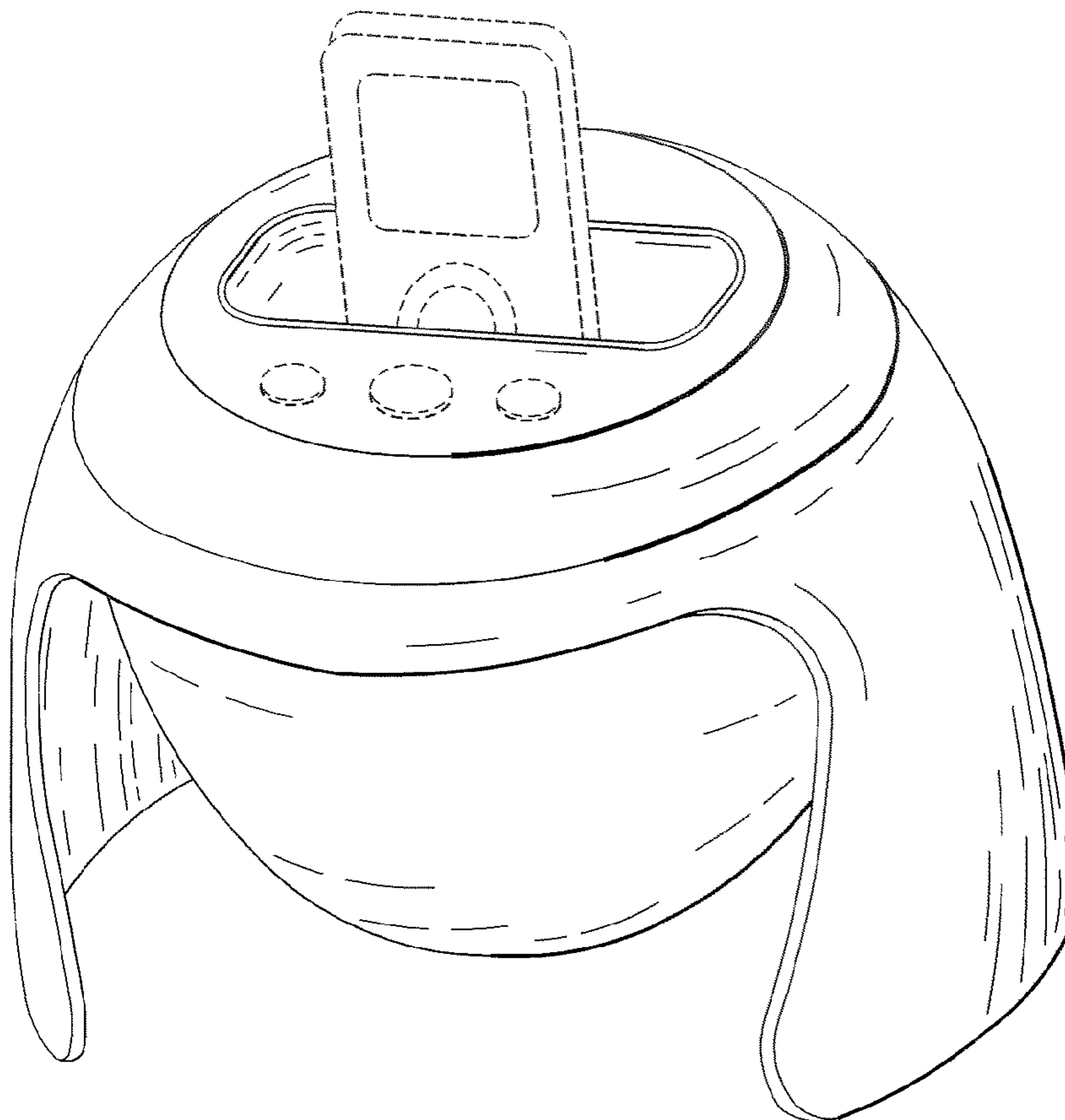
The broken lines in the drawings are for illustrative purposes only and form no part of the claimed design.

(56) **References Cited**

U.S. PATENT DOCUMENTS

5,812,685 A * 9/1998 Fujita et al. 381/332
D528,102 S * 9/2006 Lye D14/211

1 Claim, 4 Drawing Sheets



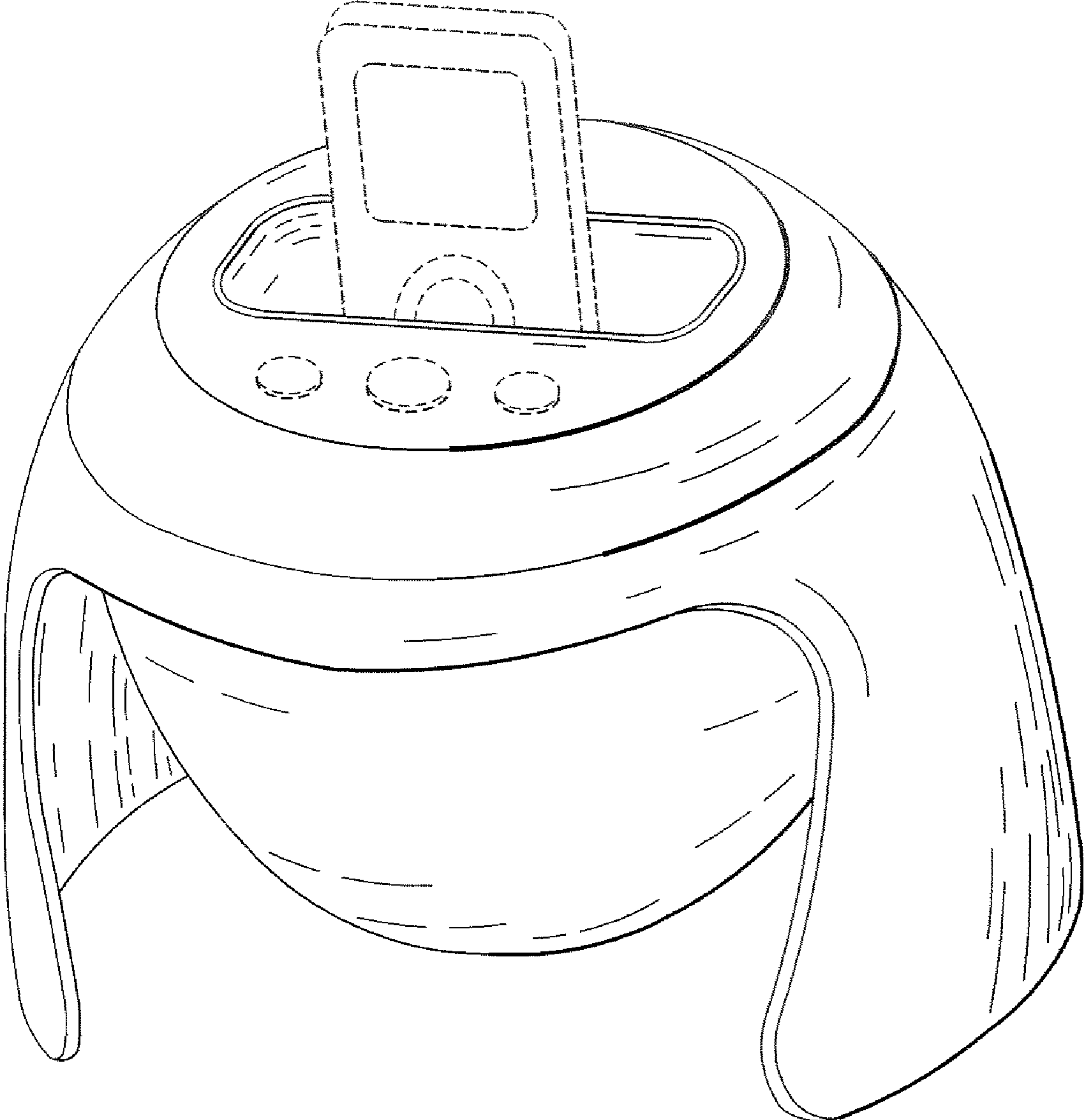


FIG. 1

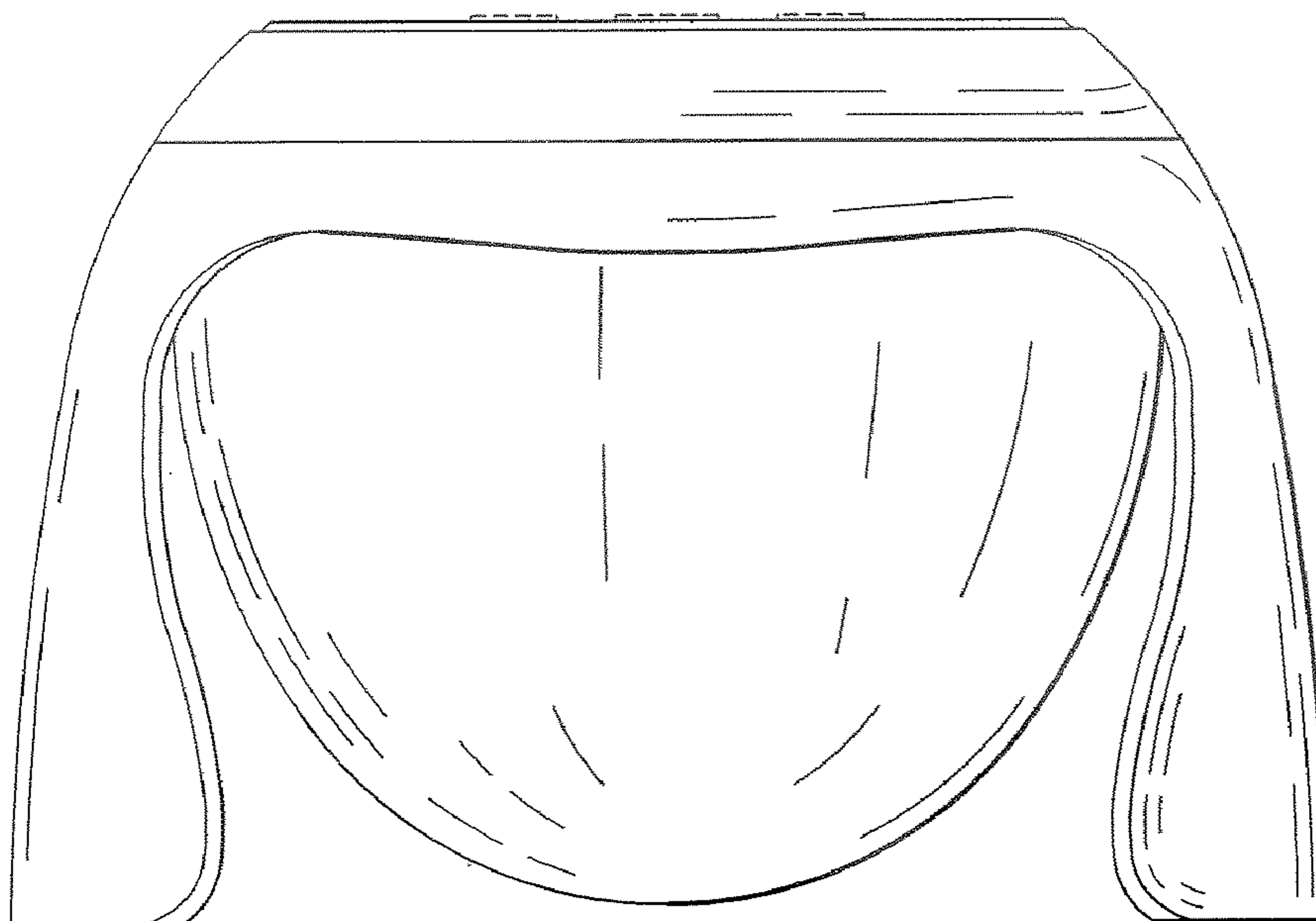


FIG. 2

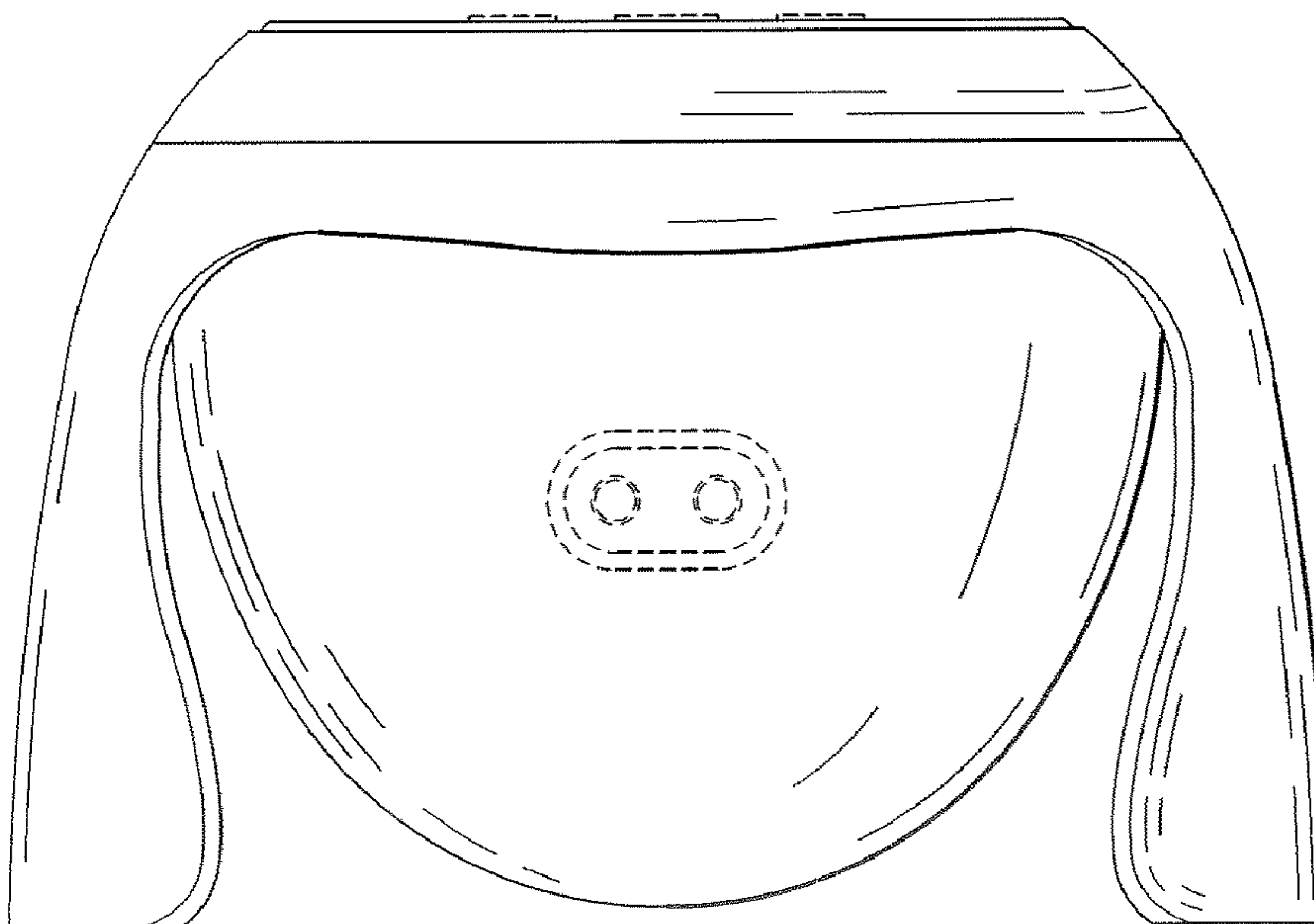


FIG. 3

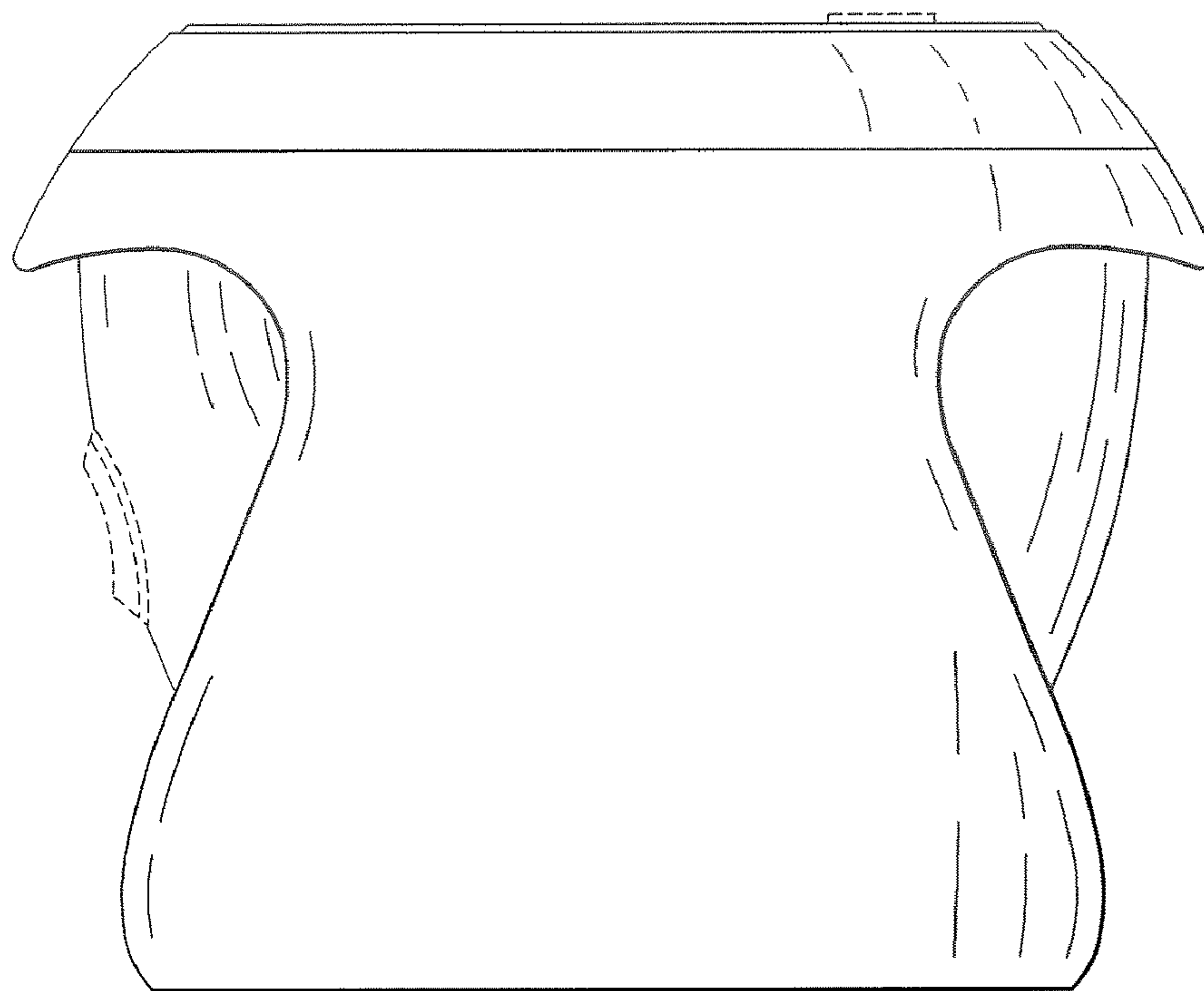


FIG. 4

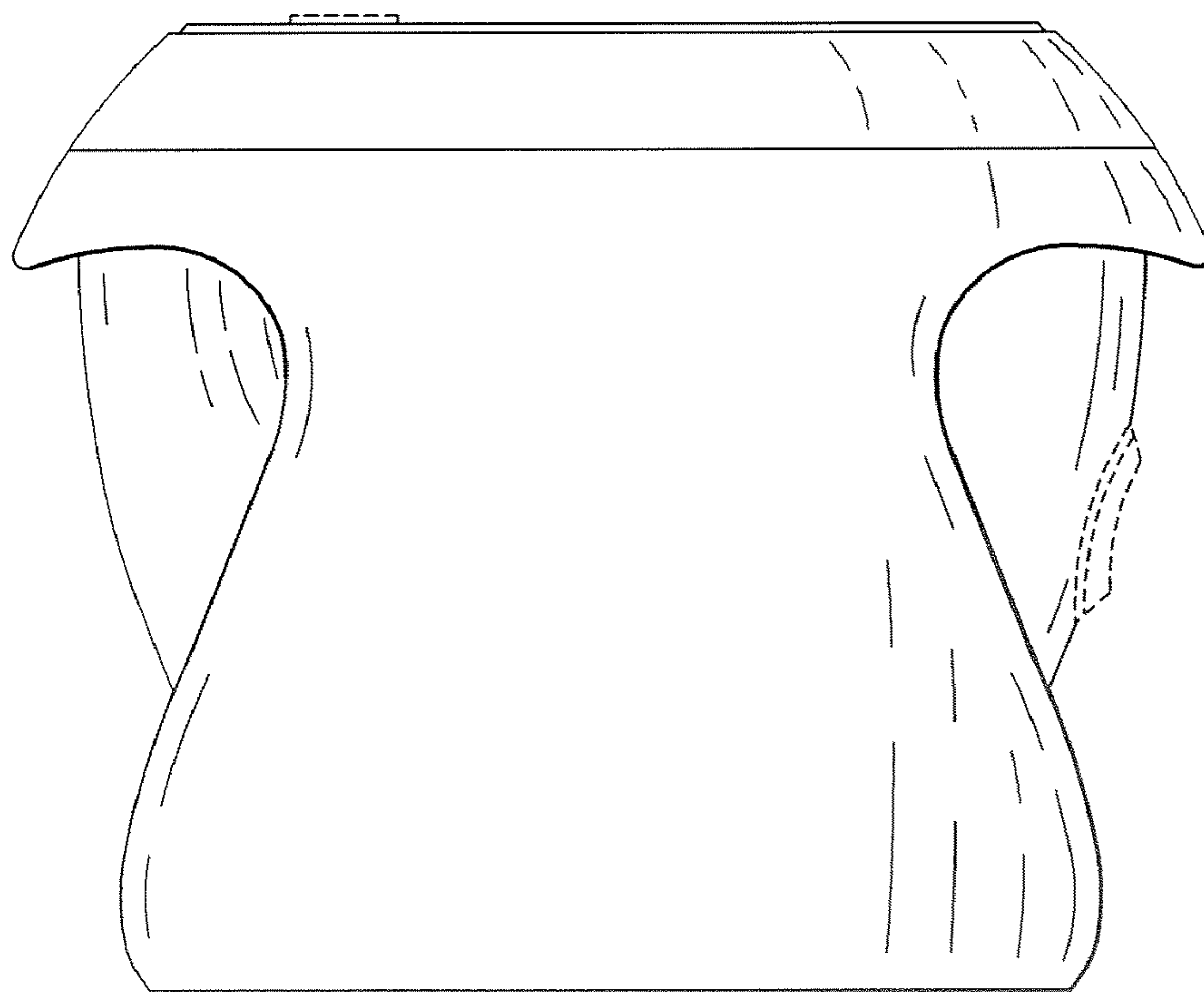


FIG. 5

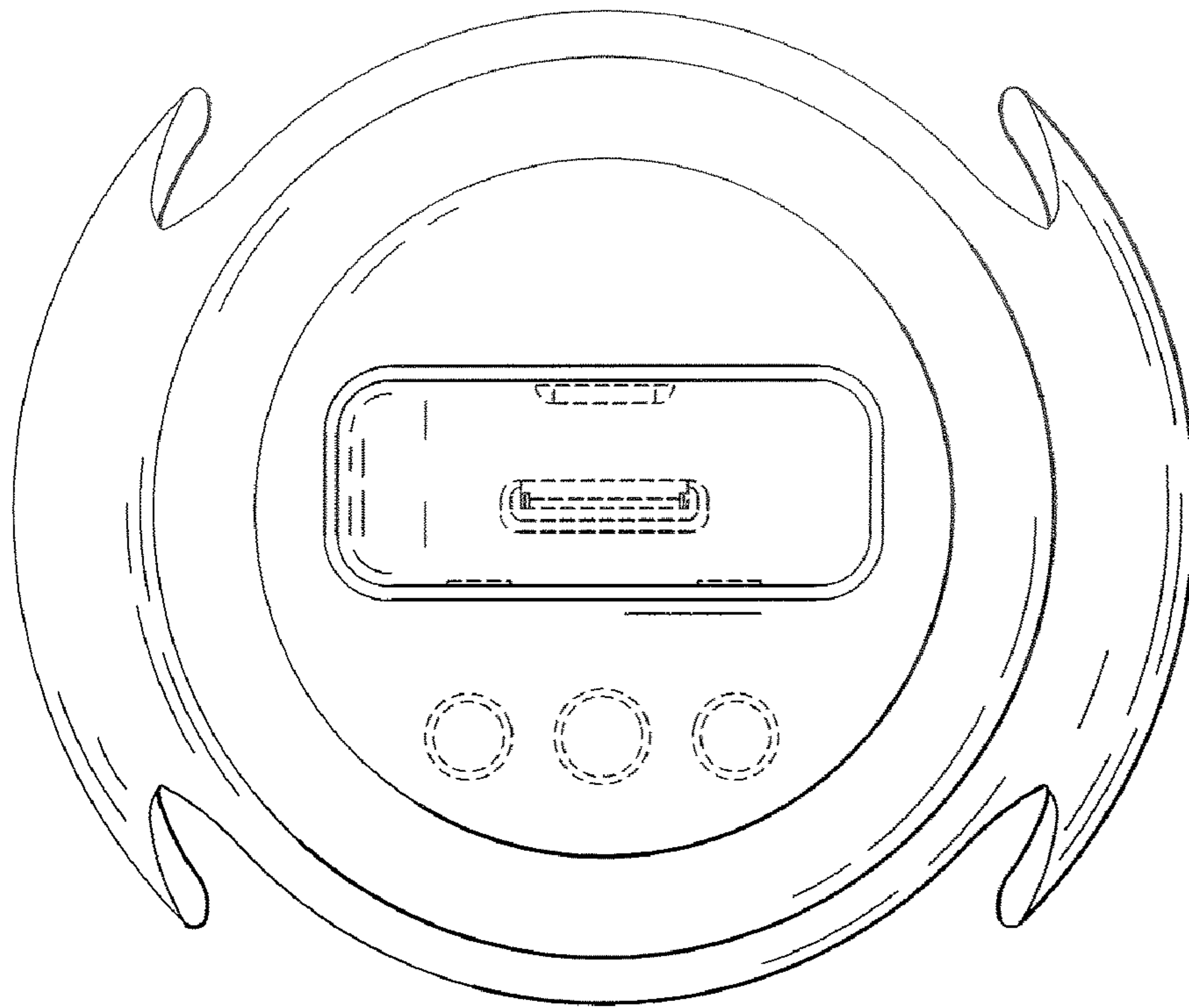


FIG. 6

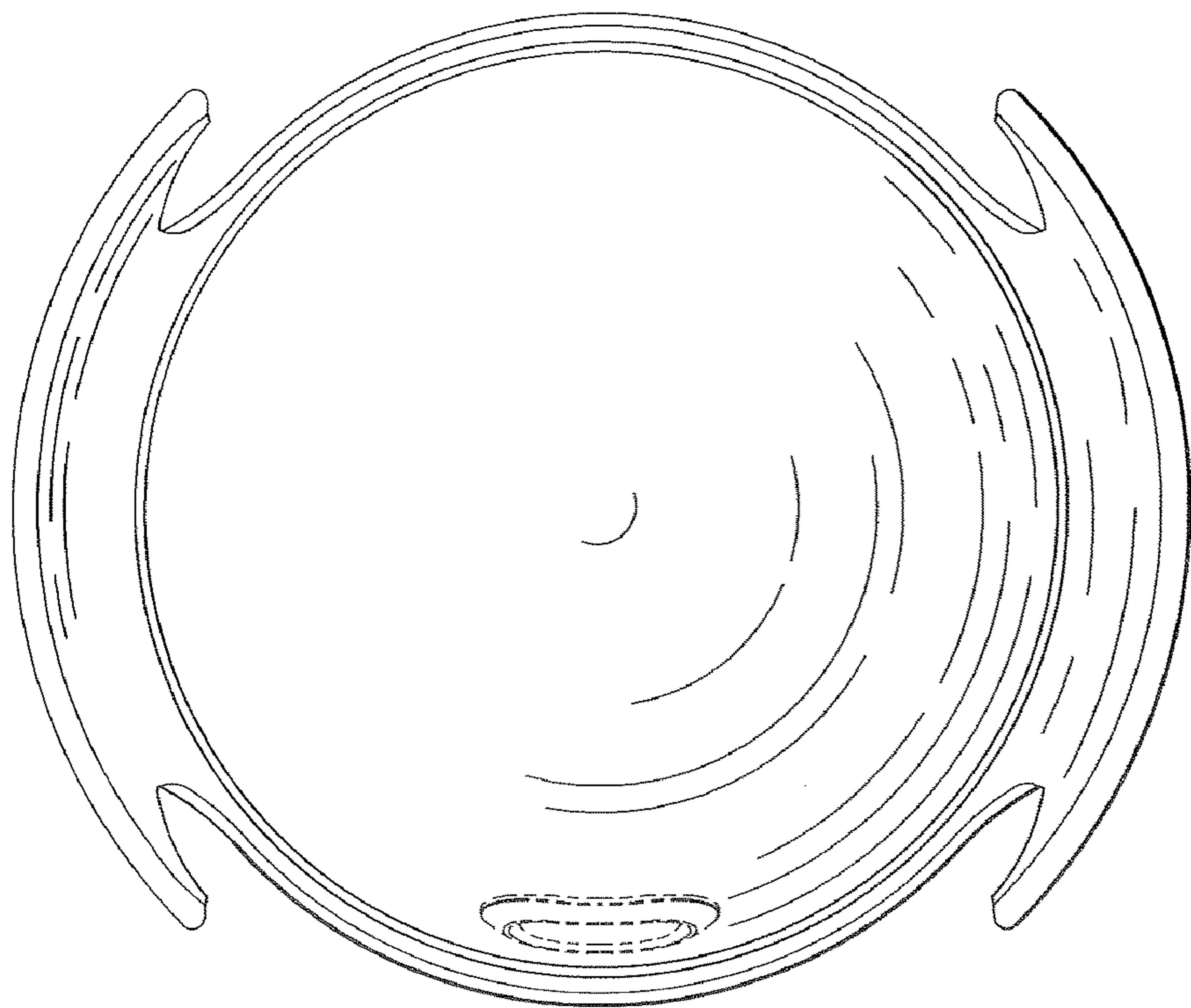


FIG. 7