



US00D601543S

(12) **United States Design Patent**
Bentley

(10) **Patent No.:** **US D601,543 S**

(45) **Date of Patent:** **** Oct. 6, 2009**

(54) **COMMUNICATIONS HEADSET**

(75) **Inventor:** **Matt Bentley**, Scotts Valley, CA (US)

(73) **Assignee:** **Plantronics, Inc.**, Santa Cruz, CA (US)

(**) **Term:** **14 Years**

(21) **Appl. No.:** **29/318,391**

(22) **Filed:** **May 19, 2008**

(51) **LOC (9) Cl.** **14-01**

(52) **U.S. Cl.** **D14/206**

(58) **Field of Classification Search** D14/205,
D14/206, 223, 142, 156, 188, 192; D29/112;
2/209; 181/129, 130; 379/430, 431; 381/370,
381/371, 380, 381, 383, 74; 455/575.1, 575.2
See application file for complete search history.

(56) **References Cited**

U.S. PATENT DOCUMENTS

5,469,505	A *	11/1995	Gatley et al.	379/430
6,252,970	B1 *	6/2001	Poon et al.	381/374
D488,146	S *	4/2004	Minto	D14/206
D494,957	S *	8/2004	Rath et al.	D14/206
D498,470	S *	11/2004	Skulley et al.	D14/206
6,952,481	B2 *	10/2005	Larsen et al.	381/74

D514,086	S *	1/2006	Skulley	D14/206
D517,528	S *	3/2006	Skulley	D14/206
D530,702	S *	10/2006	Pritchard et al.	D14/206
D531,165	S *	10/2006	Rath	D14/206
D535,286	S *	1/2007	Brennwald	D14/206
D538,785	S *	3/2007	Skulley	D14/206
D540,778	S *	4/2007	Thompson et al.	D14/206

* cited by examiner

Primary Examiner—Paula Greene

(74) *Attorney, Agent, or Firm*—Michael D. Rodriguez

(57) **CLAIM**

The ornamental design for a communications headset, as shown and described.

DESCRIPTION

FIG. 1 is front view of a communications headset showing our new design;

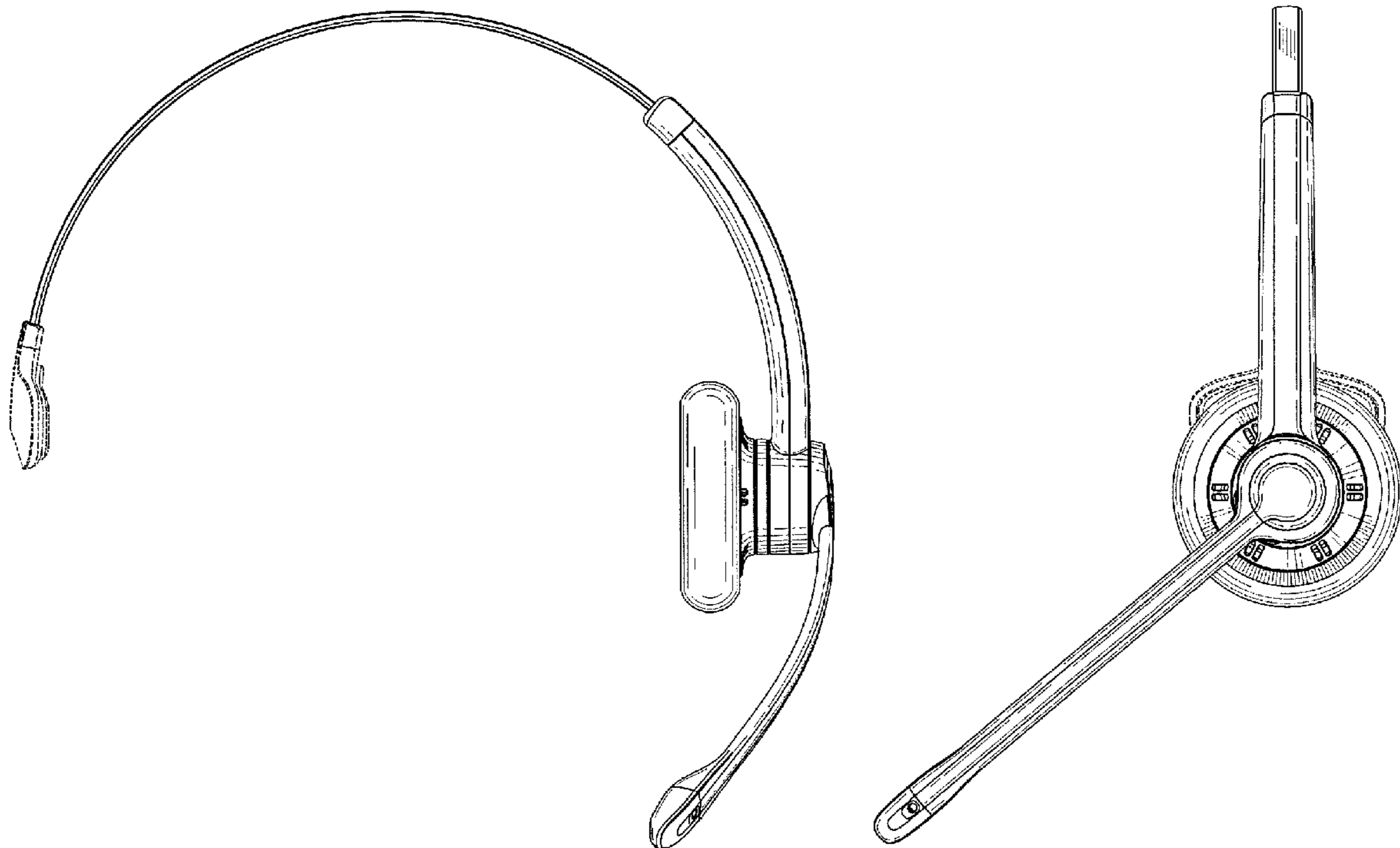
FIG. 2 is a top view thereof;

FIG. 3 is a left view thereof; and,

FIG. 4 is a right side view thereof.

The broken lines showing of the unclaimed environment forms no part of the claimed design.

1 Claim, 2 Drawing Sheets



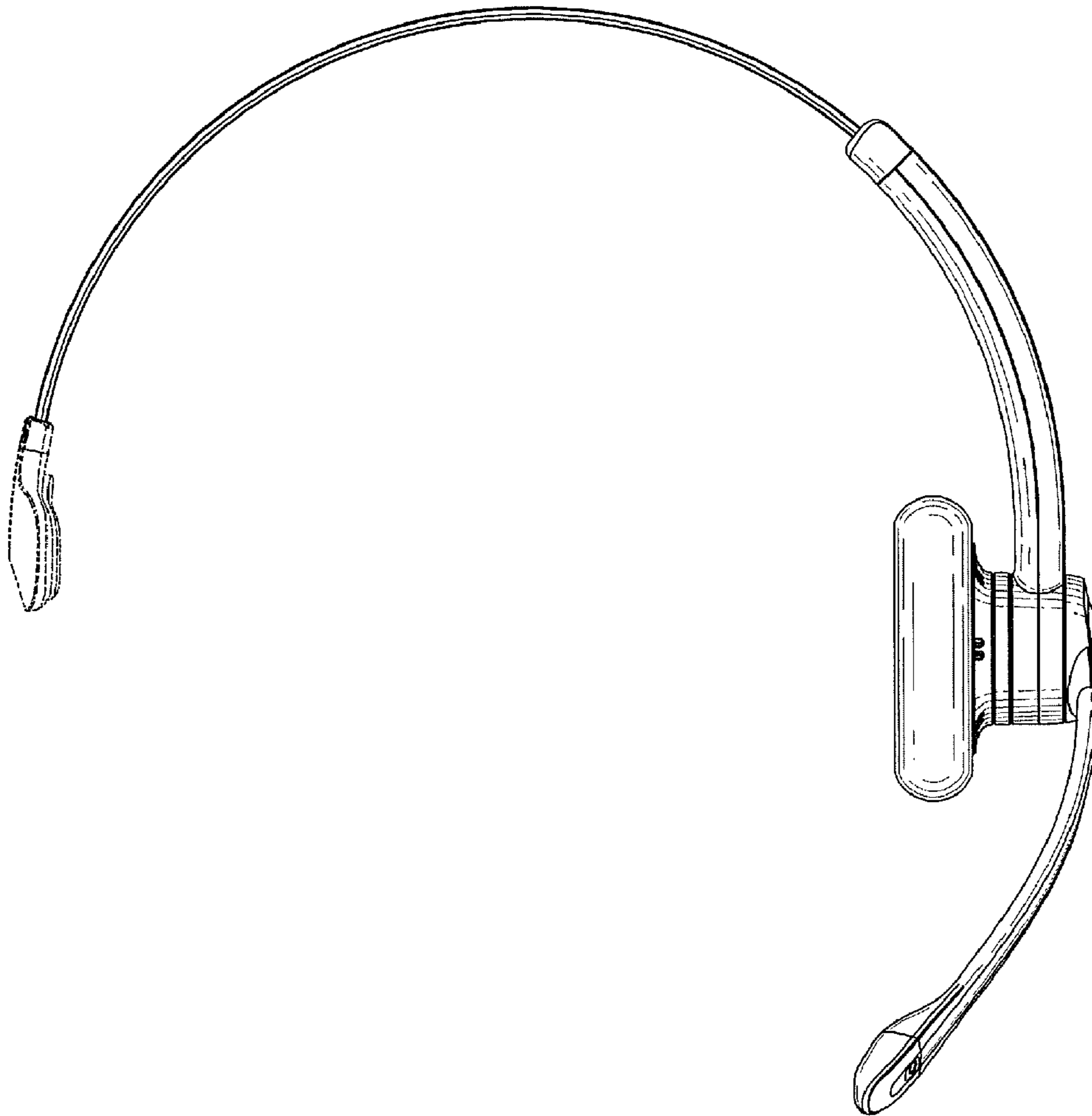


FIG. 1

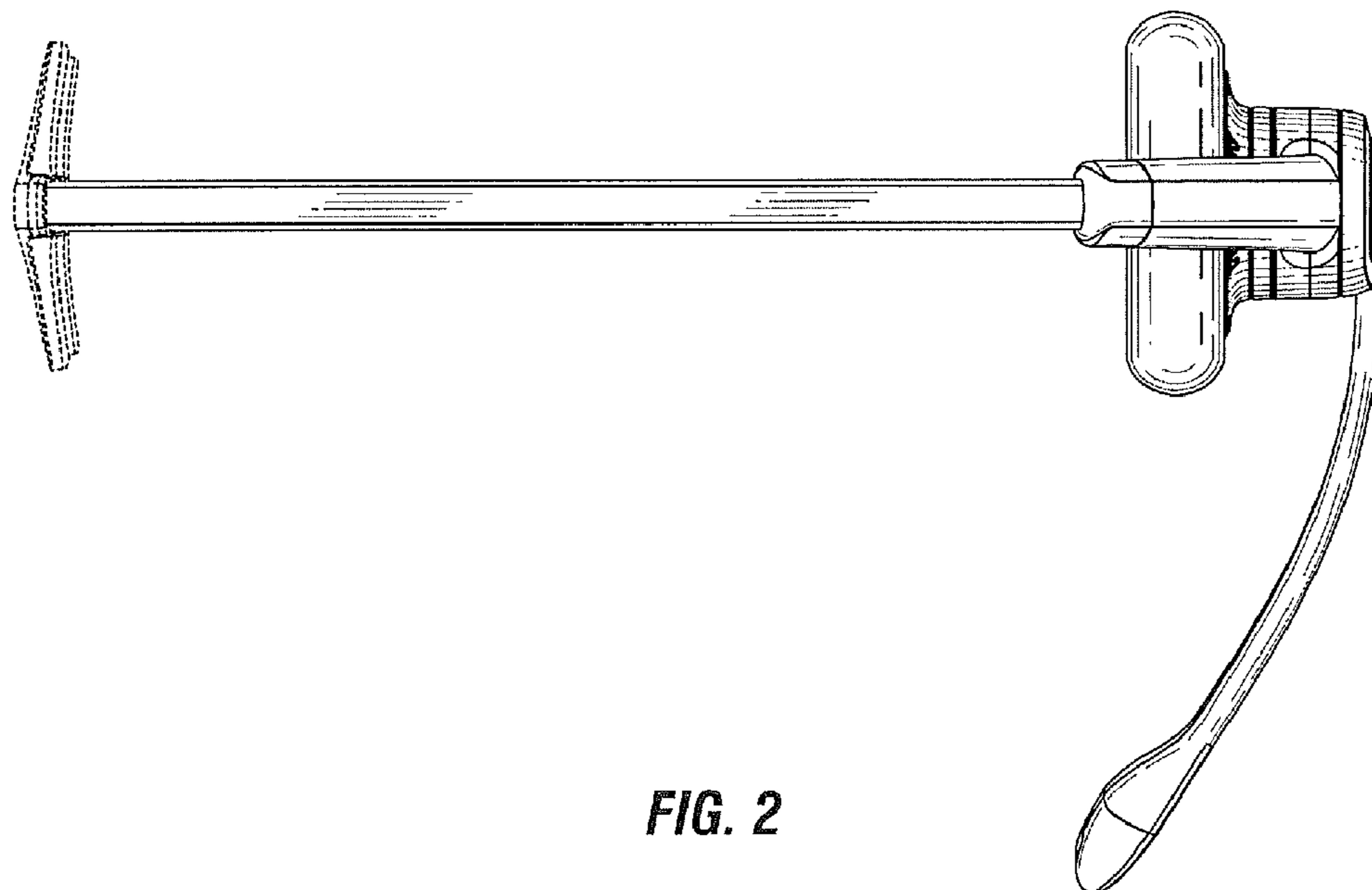


FIG. 2

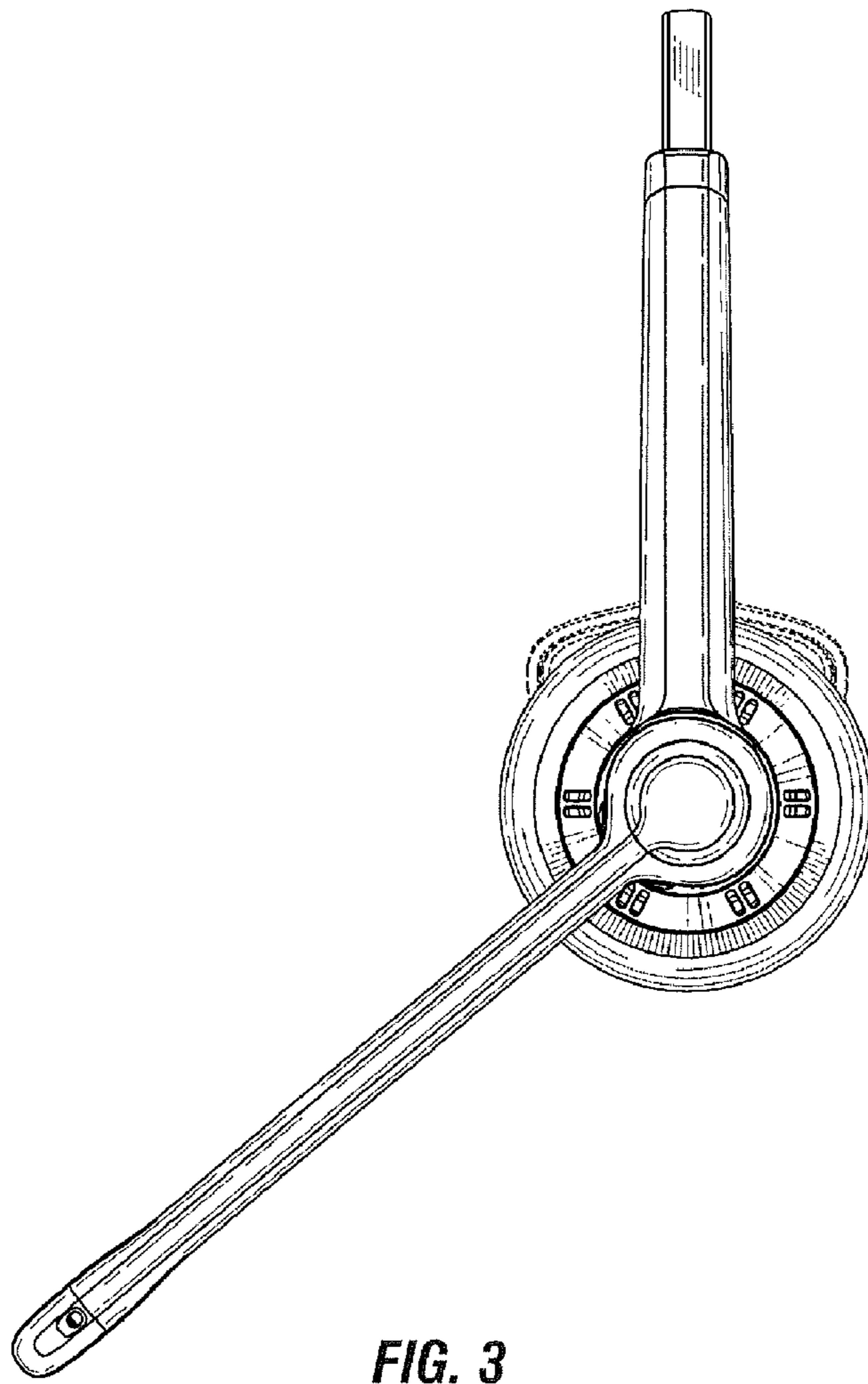


FIG. 3

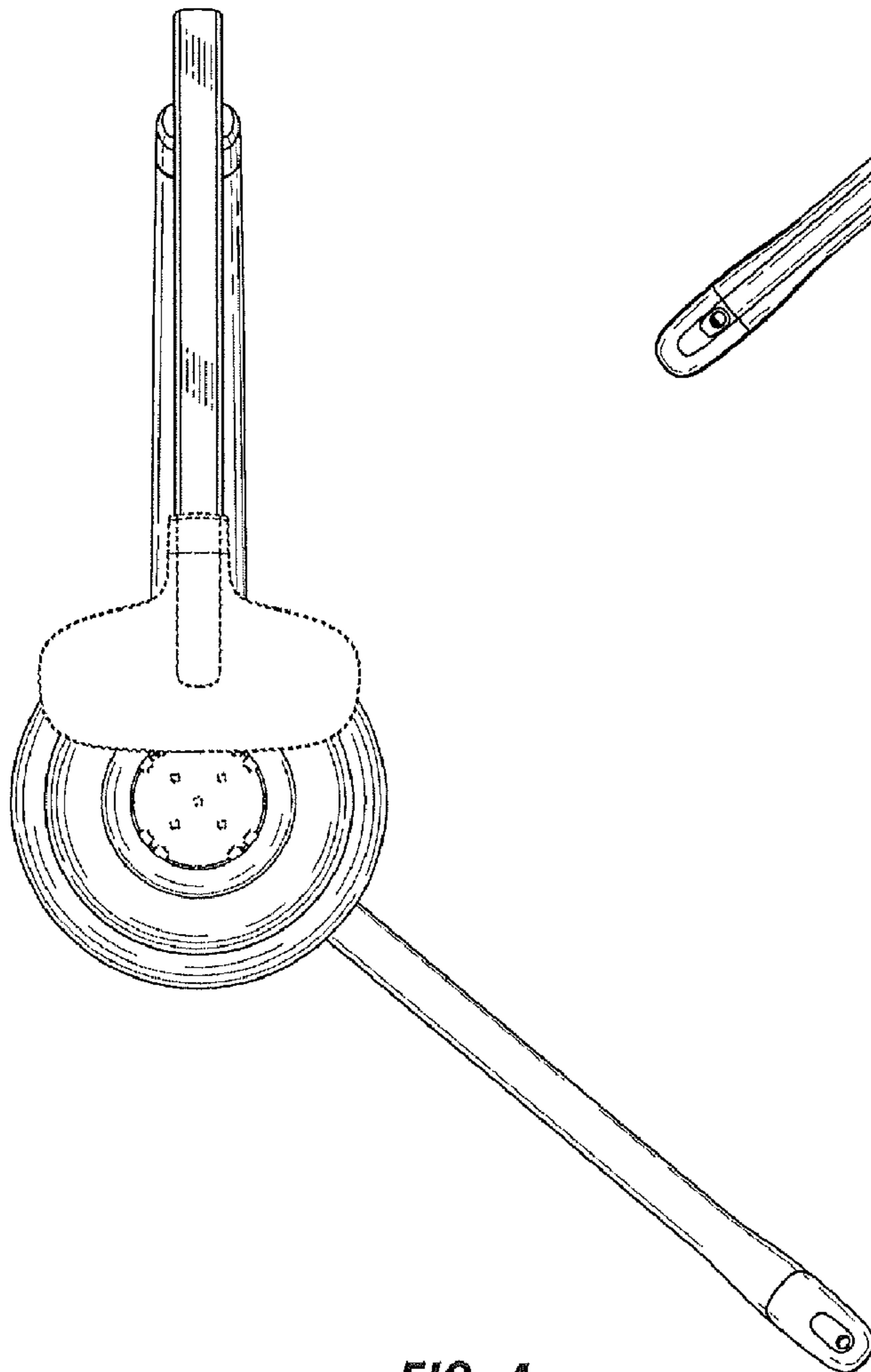


FIG. 4