



US00D601535S

(12) **United States Design Patent**  
**Huang**

(10) **Patent No.:** **US D601,535 S**  
(45) **Date of Patent:** **\*\* Oct. 6, 2009**

(54) **MOBILE PHONE**

TW D124796 9/2008

(75) Inventor: **Ching-Hua Huang**, Tu-Cheng (TW)

(73) Assignee: **Chi Mei Communication Systems, Inc.**, Tu-Cheng, Taipei County (TW)

(\*\*) Term: **14 Years**

(21) Appl. No.: **29/325,898**

(22) Filed: **Oct. 8, 2008**

(30) **Foreign Application Priority Data**

Apr. 11, 2008 (CN) ..... 2008 3 0300512

(51) **LOC (9) Cl.** ..... **14-03**

(52) **U.S. Cl.** ..... **D14/138 AD; D14/138 G**

(58) **Field of Classification Search** ..... D14/138 R,  
D14/138 AD, 138 AC, 138 C, 138 G, 191,  
D14/203.1–203.8, 496, 138 AA, 138 AB,  
D14/247–248, 137, 147, 218, 341–347; D10/65,  
D10/78, 104; D13/168; D18/7; 455/566,  
455/575.1, 575.3

See application file for complete search history.

(56) **References Cited**

**U.S. PATENT DOCUMENTS**

D337,569 S \* 7/1993 Kando ..... D14/341  
D525,609 S \* 7/2006 Kim et al. .... D14/138 AB  
D532,791 S \* 11/2006 Kim ..... D14/203.7  
D548,713 S \* 8/2007 Lee et al. .... D14/138 AD  
D558,720 S \* 1/2008 Lee et al. .... D14/138 AD  
D569,837 S \* 5/2008 Baik et al. .... D14/138 G  
D573,143 S \* 7/2008 Park et al. .... D14/341  
D577,353 S \* 9/2008 Kim et al. .... D14/138 AD  
D577,704 S \* 9/2008 Park et al. .... D14/138 AD

(Continued)

**FOREIGN PATENT DOCUMENTS**

JP D1241639 4/2005

**OTHER PUBLICATIONS**

HTC Touch Pro2, announced Feb. 2009, [online], [retrieved on Feb. 20, 2009]. Retrieved from Internet ,<URL: http://www.gsmarena.com>.\*

LG KF700, announced Feb. 2008, [online], [retrieved on Mar. 21, 2008 and May 14, 2008]. Retrieved from Internet ,<URL: http://www.gsmarena.com>.\*

LG KB770, announced Sep. 2008, [online], [retrieved on Sep. 19, 2008]. Retrieved from Internet ,<URL: http://www.gsmarena.com>.\*

Samsung F520, announced Feb. 2007, [online], [retrieved on Feb. 16, 2007]. Retrieved from Internet ,<URL: http://www.gsmarena.com>.\*

*Primary Examiner*—Jeffrey D Asch

*Assistant Examiner*—Bridget L Eland

(74) *Attorney, Agent, or Firm*—Steven M. Reiss

(57) **CLAIM**

The ornamental design for a mobile phone, as shown and described.

**DESCRIPTION**

FIG. 1 is a perspective view of a mobile phone in accordance with the present design;

FIG. 2 is a front elevational view thereof;

FIG. 3 is a rear elevational view thereof;

FIG. 4 is a left side elevational view thereof;

FIG. 5 is a right side elevational view thereof;

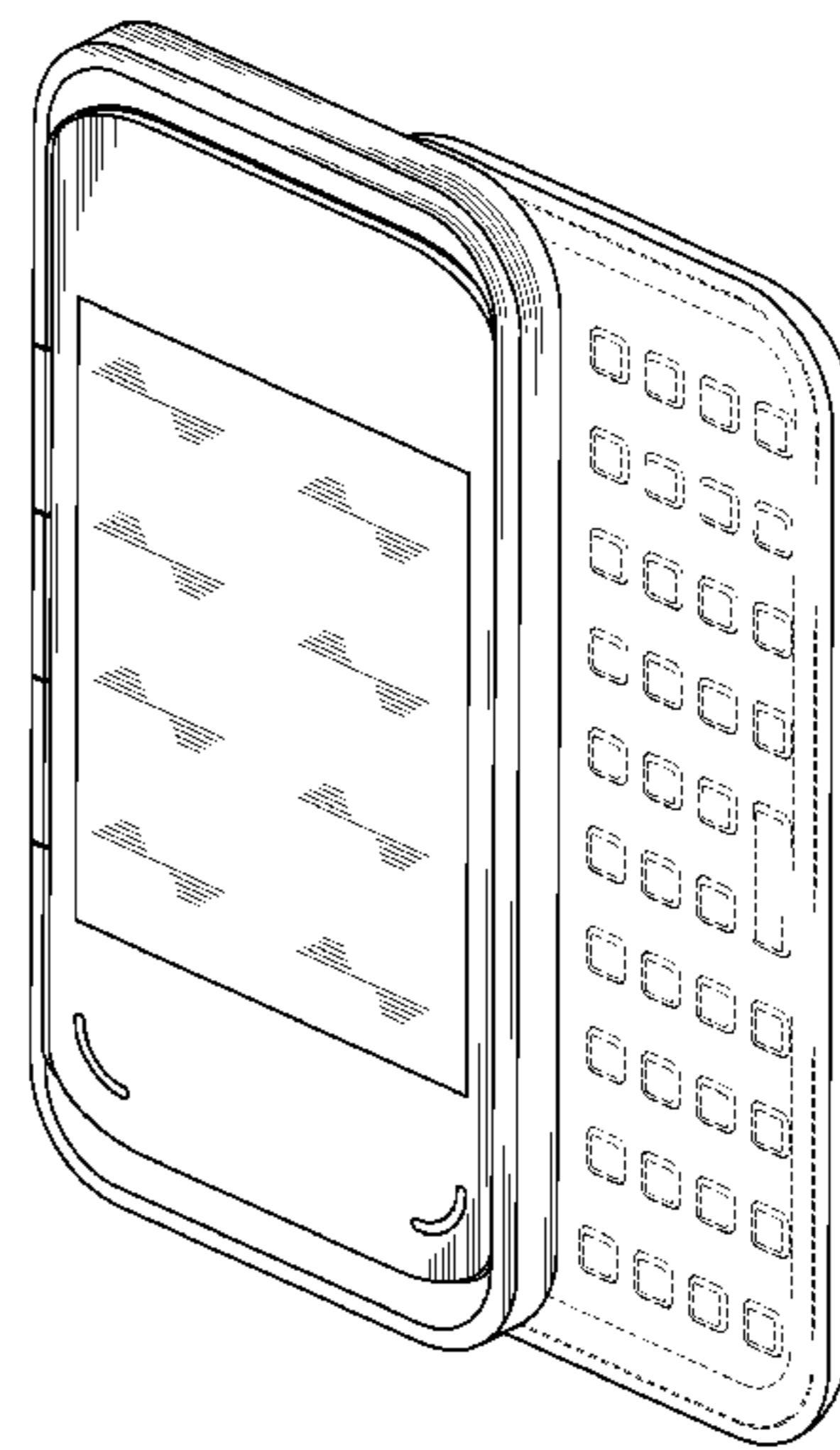
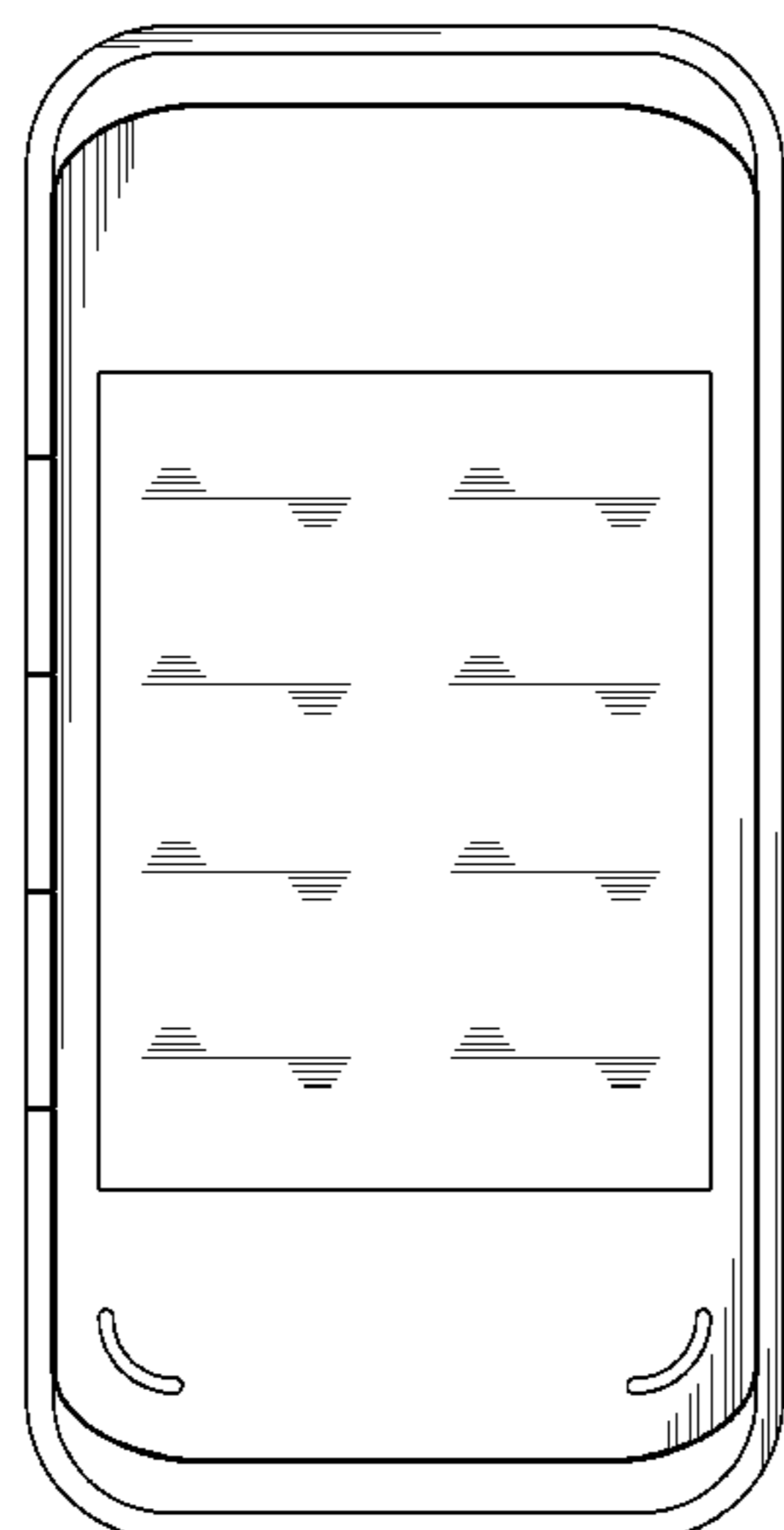
FIG. 6 is a top plan view thereof;

FIG. 7 is a bottom plan view thereof; and,

FIG. 8 is an open perspective view of FIG. 1.

The broken lines immediately adjacent the claimed areas represent the bounds of the claimed design while all other broken lines are directed to environment and are for illustrative purposes only; the broken lines form no part of the claimed design.

**1 Claim, 8 Drawing Sheets**



# US D601,535 S

Page 2

---

## U.S. PATENT DOCUMENTS

D579,902 S *	11/2008	Kim et al. ....	D14/138 AD	D591,252 S *	4/2009	Kim et al. ....	D14/138 G
D579,906 S *	11/2008	Kim et al. ....	D14/138 AD	D592,212 S *	5/2009	Hamada et al. ....	D14/346
D581,384 S *	11/2008	Kim et al. ....	D14/138 AD	D592,628 S *	5/2009	Kim et al. ....	D14/138 AD
D583,342 S *	12/2008	Kim et al. ....	D14/138 G	2005/0250563 A1 *	11/2005	Nan .....	455/575.4
D584,272 S *	1/2009	Chung et al. ....	D14/138 G	2007/0232368 A1 *	10/2007	Feightner et al. ....	455/575.1
D584,711 S *	1/2009	Kim et al. ....	D14/138 G	2007/0287512 A1 *	12/2007	Kilpi et al. ....	455/575.1
D585,411 S *	1/2009	Eaton .....	D14/138 G	2008/0039157 A1 *	2/2008	Park .....	455/575.1
D589,924 S *	4/2009	Jung et al. ....	D14/138 AD	2008/0051161 A1 *	2/2008	Tashiro .....	455/575.1
				2009/0061947 A1 *	3/2009	Park et al. ....	455/566

\* cited by examiner

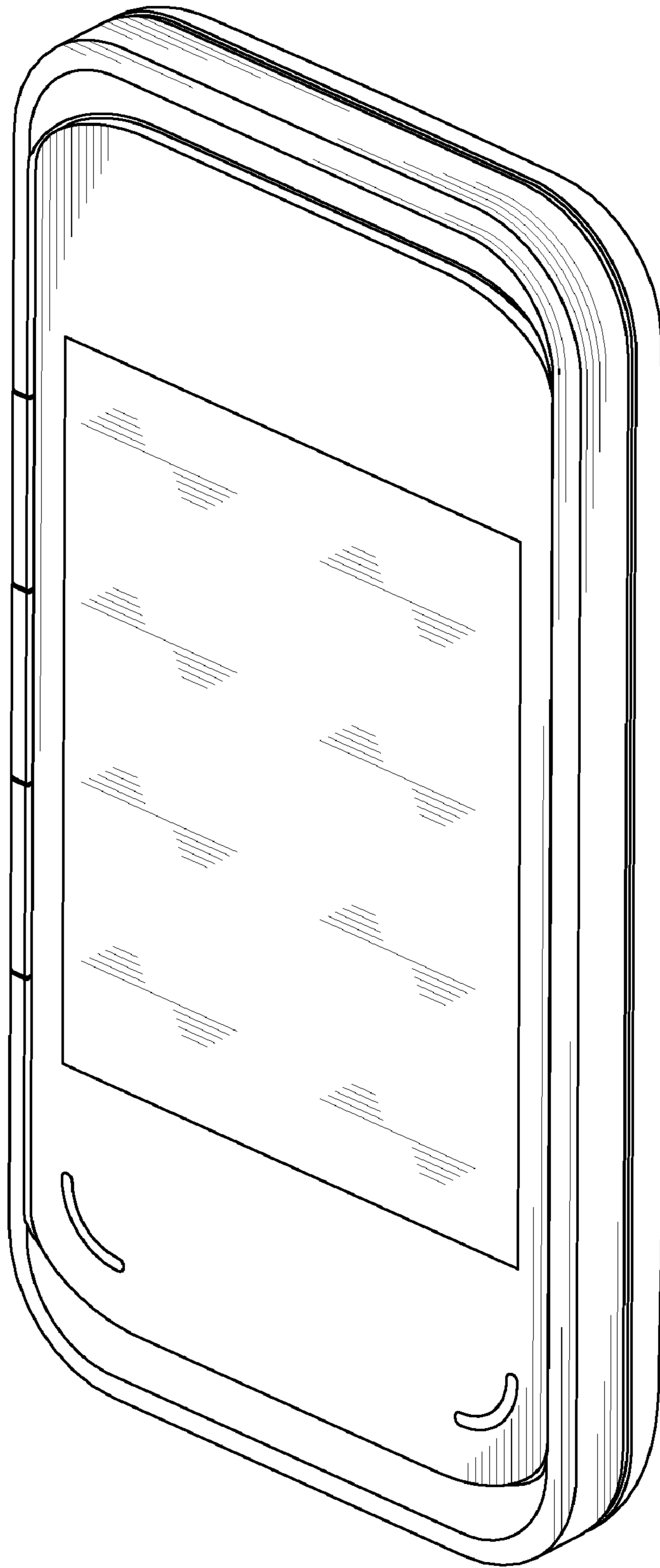


FIG. 1

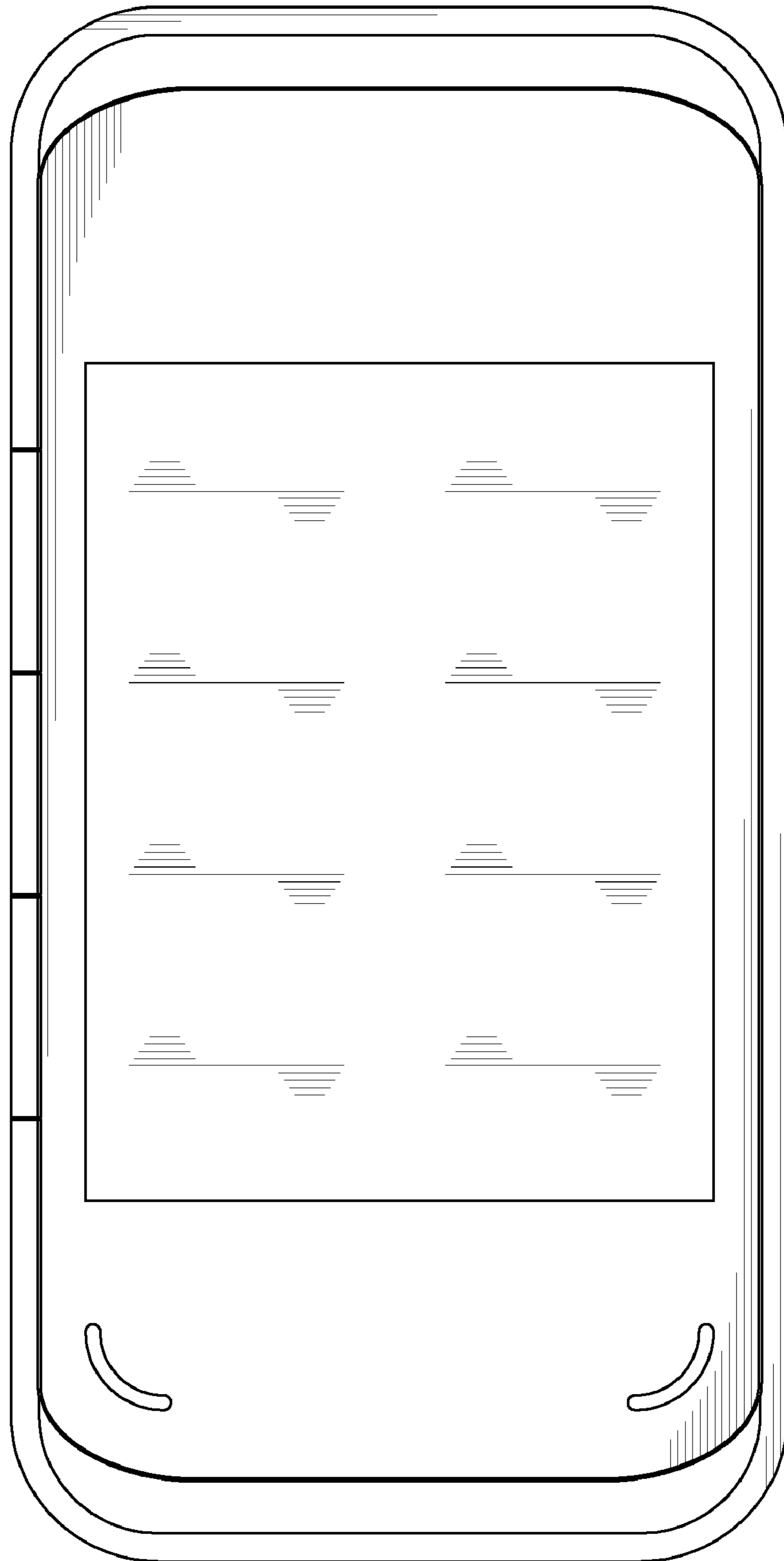


FIG. 2

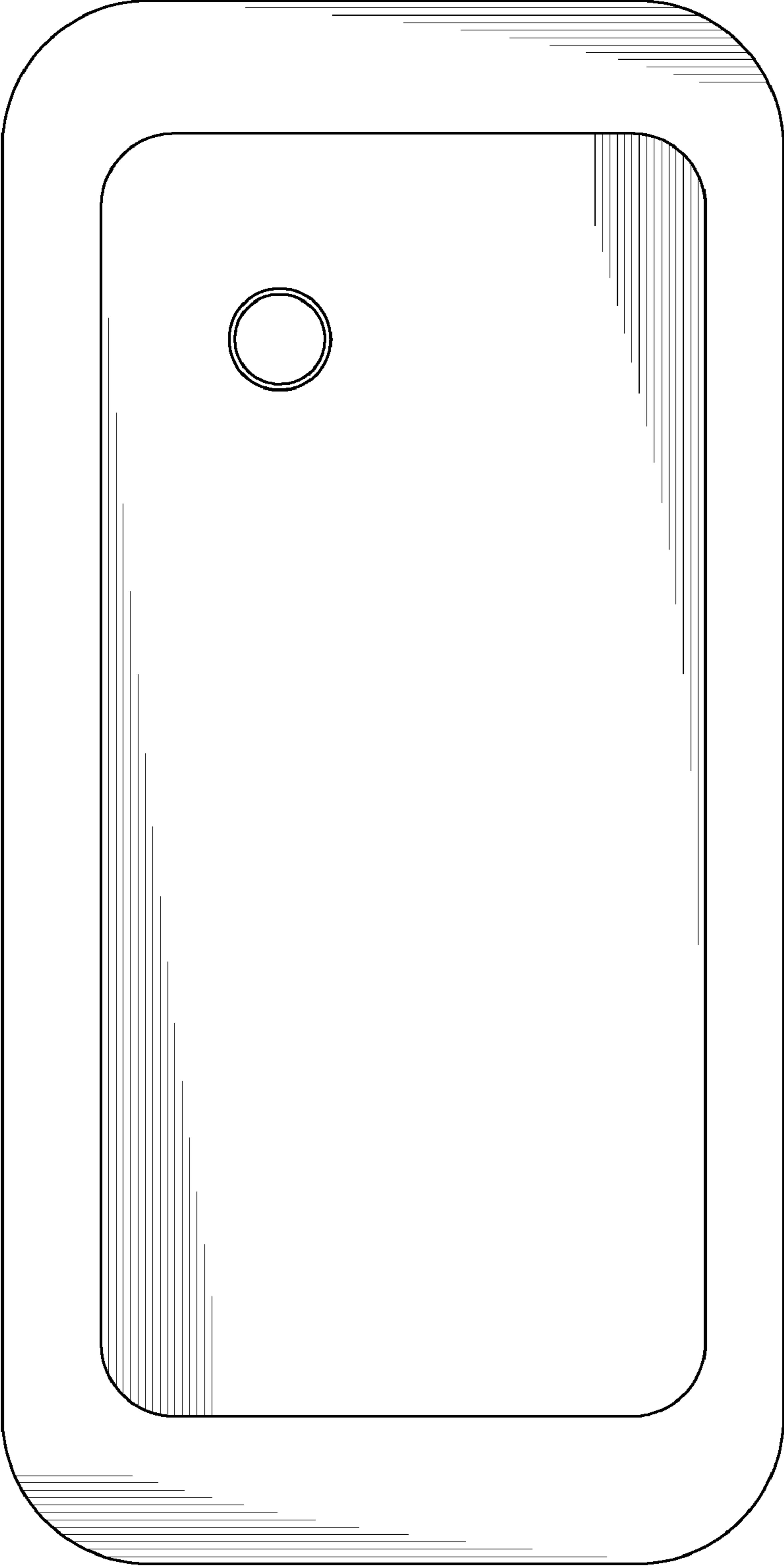


FIG. 3



FIG. 4

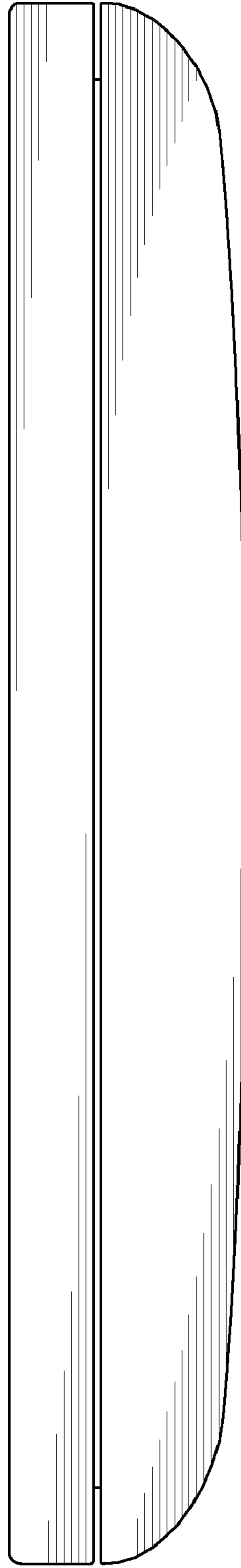


FIG. 5

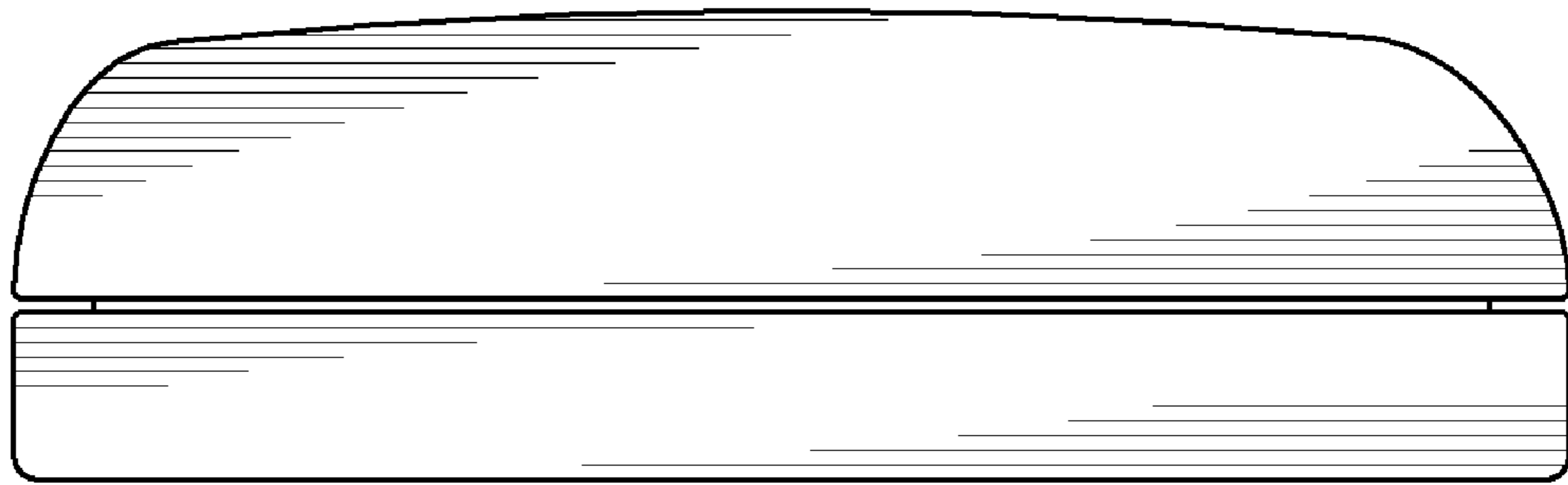


FIG. 6



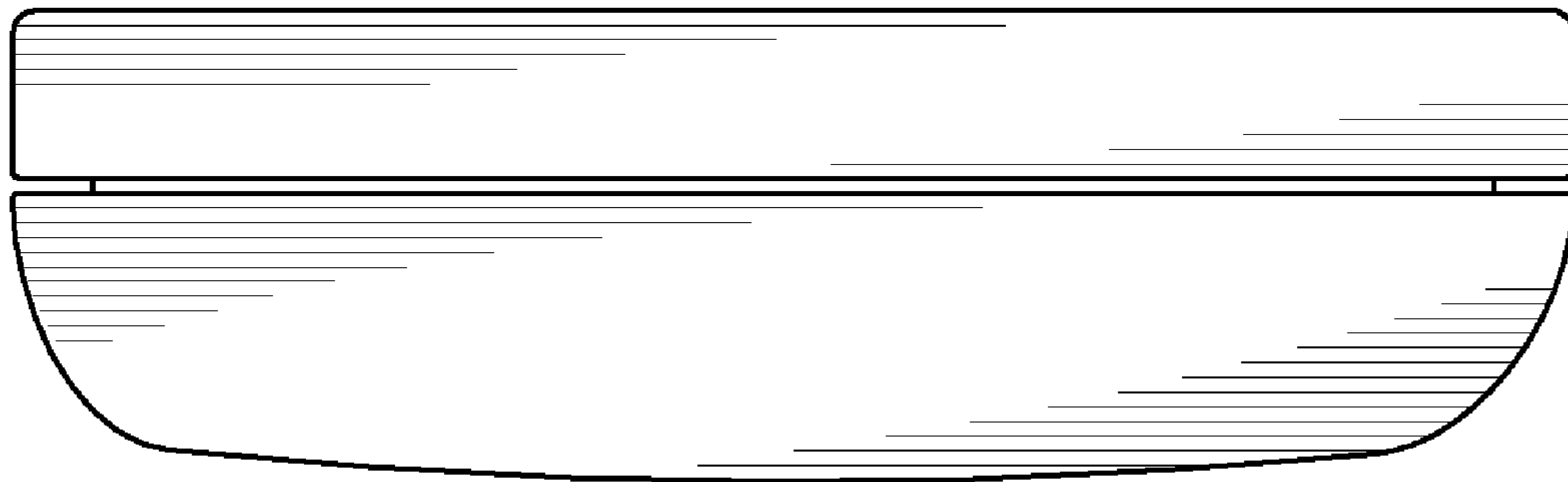


FIG. 7

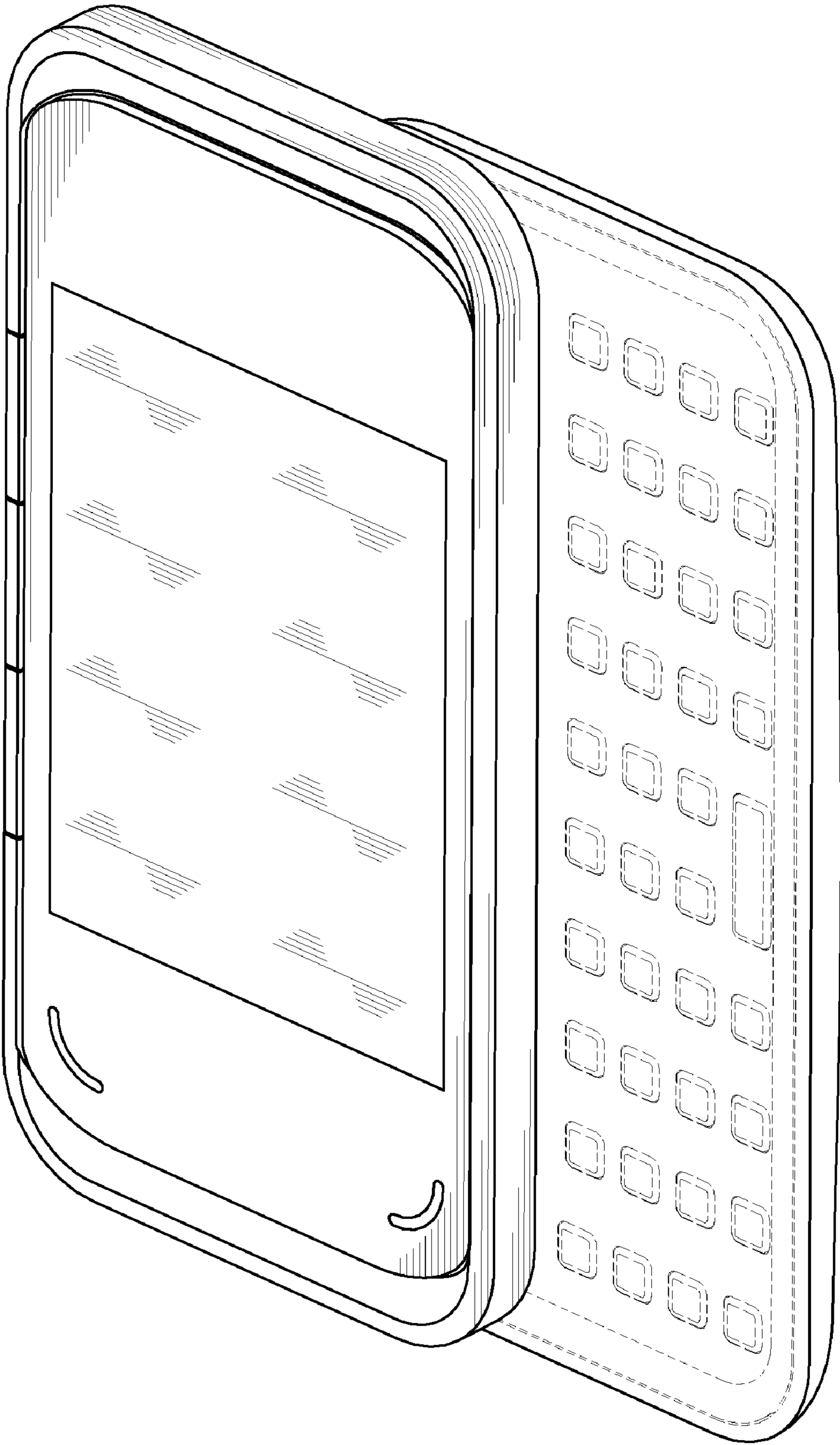


FIG. 8