



US00D601533S

(12) **United States Design Patent**
Youn et al.

(10) **Patent No.:** **US D601,533 S**

(45) **Date of Patent:** **** Oct. 6, 2009**

(54) **PORTABLE PHONE**

(75) Inventors: **Ji-Hye Youn**, Seongnam-Si (KR);
Beom-Ku Han, Seoul (KR); **Chang-Soo Lee**, Incheon-Si (KR)

(73) Assignee: **Samsung Electronics Co., Ltd.**,
Suwon-Si (KR)

(**) Term: **14 Years**

(21) Appl. No.: **29/324,895**

(22) Filed: **Sep. 23, 2008**

(30) **Foreign Application Priority Data**

Aug. 6, 2008 (KR) 30-2008-0034172

(51) **LOC (9) Cl.** **14-03**

(52) **U.S. Cl.** **D14/138 AA; D14/346**

(58) **Field of Classification Search** D14/138 AA,
D14/138 R, 138 AD, 341-347, 432, 439,
D14/147; 455/575.1, 575.4, 556.2

See application file for complete search history.

(56) **References Cited**

U.S. PATENT DOCUMENTS

D502,159 S *	2/2005	Chan et al.	D14/138 AA
D502,160 S *	2/2005	Chen et al.	D14/138 AA
D540,773 S *	4/2007	Meng et al.	D14/138 AA
D546,314 S *	7/2007	Im	D14/138 AA
D548,218 S *	8/2007	Hong et al.	D14/138 AA
D549,208 S *	8/2007	Huang et al.	D14/138 AA
D551,227 S *	9/2007	Griffin et al.	D14/346
D555,127 S *	11/2007	Park et al.	D14/138 AA
D556,726 S *	12/2007	Dai	D14/138 AA
D560,631 S *	1/2008	Sheu et al.	D14/138 AA
D563,378 S *	3/2008	Tseng et al.	D14/138 AA
D564,482 S *	3/2008	Rihu et al.	D14/138 AA
D572,697 S *	7/2008	Lee et al.	D14/138 AA
D572,700 S *	7/2008	Kwon et al.	D14/138 AA
D574,351 S *	8/2008	Kim et al.	D14/138 AA

D576,593 S *	9/2008	Chang et al.	D14/138 AA
D577,351 S *	9/2008	Kim et al.	D14/138 AA
D581,923 S *	12/2008	Griffin et al.	D14/346
D583,352 S *	12/2008	Son et al.	D14/138 AA
D584,269 S *	1/2009	Baik et al.	D14/138 AA
D584,271 S *	1/2009	Ko et al.	D14/138 R
D587,669 S *	3/2009	Aarras	D14/138 AA
D589,043 S *	3/2009	Rak et al.	D14/346
D589,925 S *	4/2009	Shi	D14/138 AA
D590,821 S *	4/2009	Rouger	D14/248

OTHER PUBLICATIONS

i-mate Ultimate 8502 telephone, announced Oct. 2007, [online], [site visited Apr. 25, 2009]. Available from Internet ,<URL: <http://www.gsmarena.com>>.*

BenQ-Siemens P51 telephone, announced Mar. 2006, [online], [site visited Apr. 25, 2009]. Available from Internet ,<URL: <http://www.gsmarena.com>>.*

BenQ P50 telephone, announced 1st quarter 2004, [online], [site visited Apr. 25, 2009]. Available from Internet ,<URL: <http://www.gsmarena.com>>.*

* cited by examiner

Primary Examiner—Jeffrey D Asch

(74) *Attorney, Agent, or Firm*—Staas & Halsey LLP

(57) **CLAIM**

The ornamental design for a portable phone, as shown and described.

DESCRIPTION

FIG. 1 is a perspective view of a portable phone;
FIG. 2 is a front view of the portable phone of FIG. 1;
FIG. 3 is a rear view of the portable phone of FIG. 1;
FIG. 4 is a left-side view of the portable phone of FIG. 1;
FIG. 5 is a right-side view of the portable phone of FIG. 1;
FIG. 6 is a top plan view of the portable phone of FIG. 1; and,
FIG. 7 is a bottom plan view of the portable phone of FIG. 1.

1 Claim, 5 Drawing Sheets

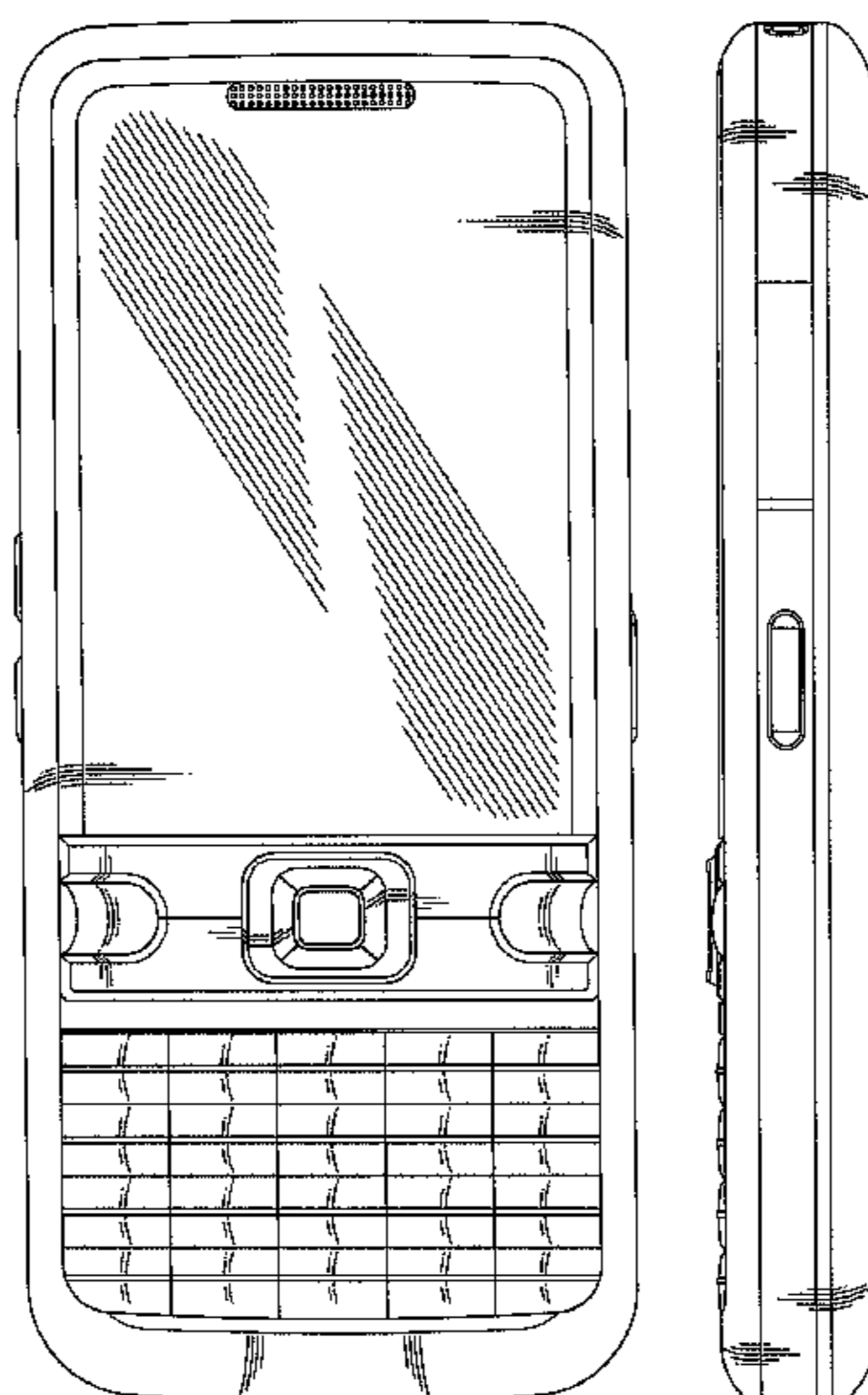


FIG. 1

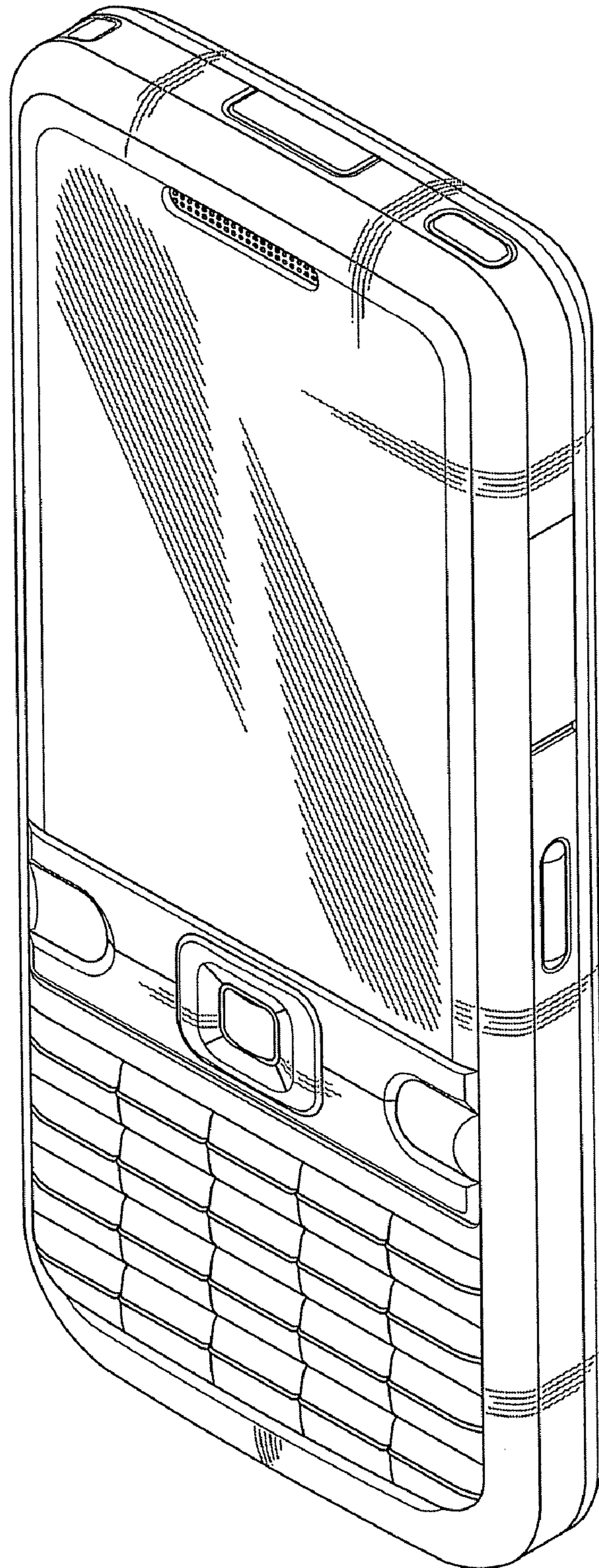


FIG. 2

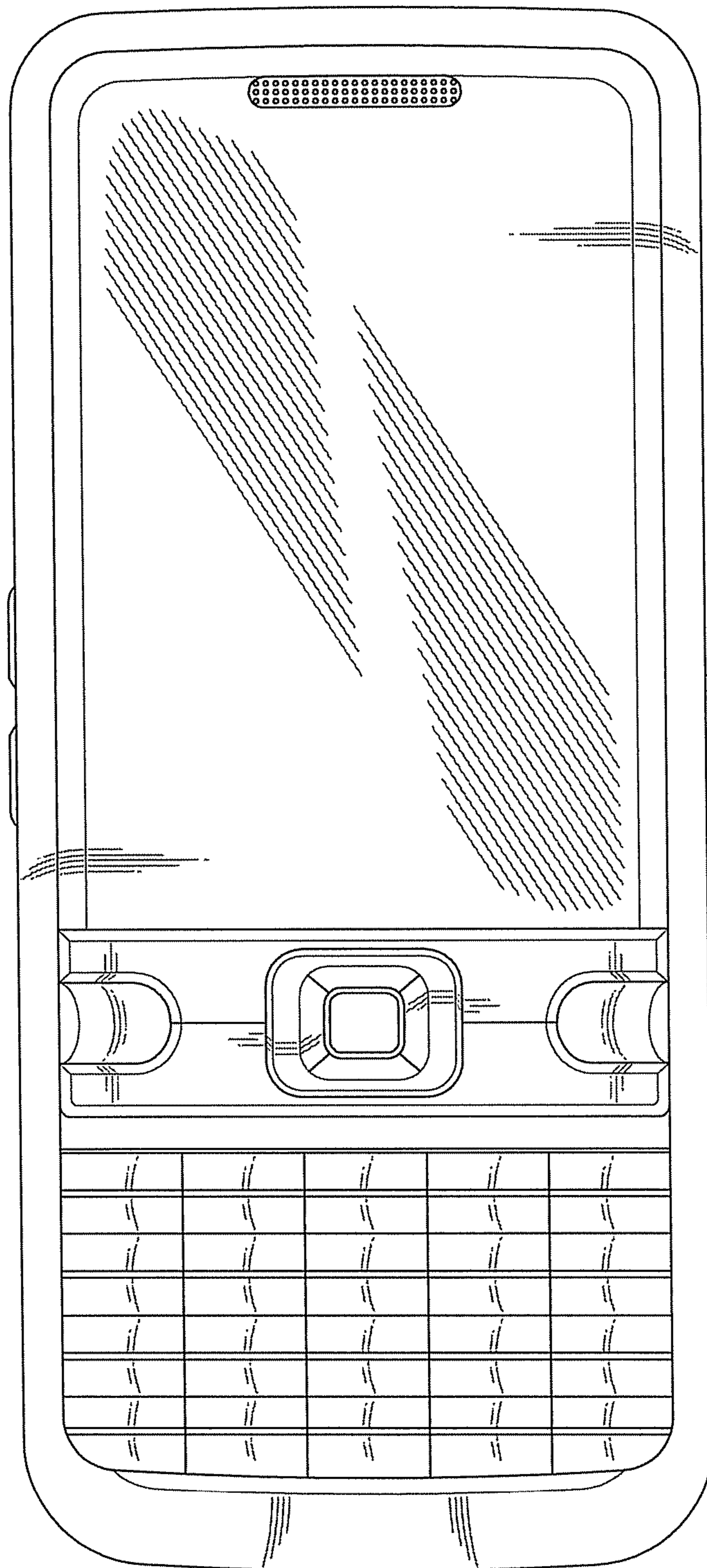


FIG. 3

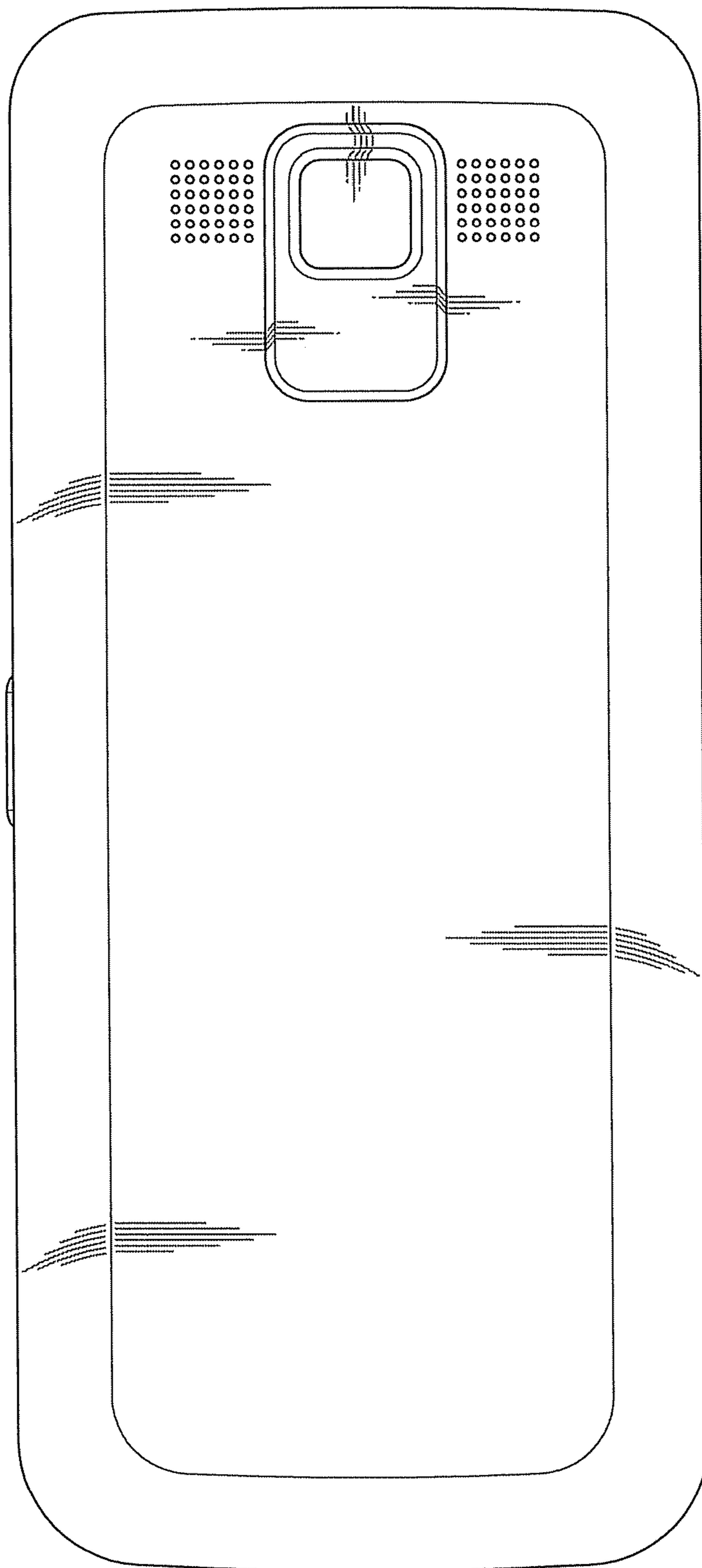


FIG. 4

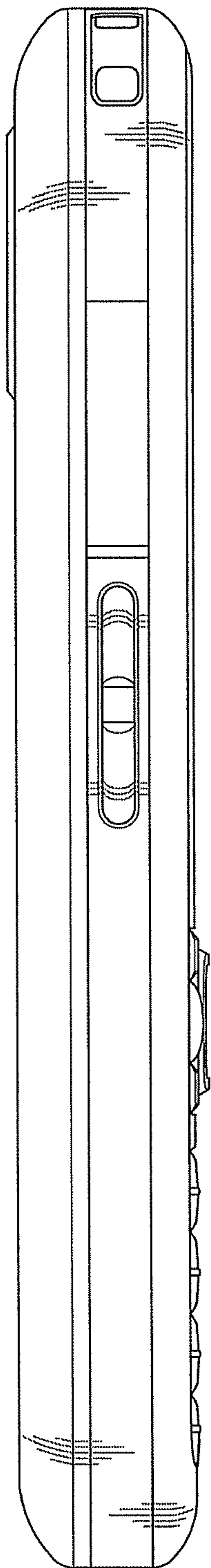


FIG. 5

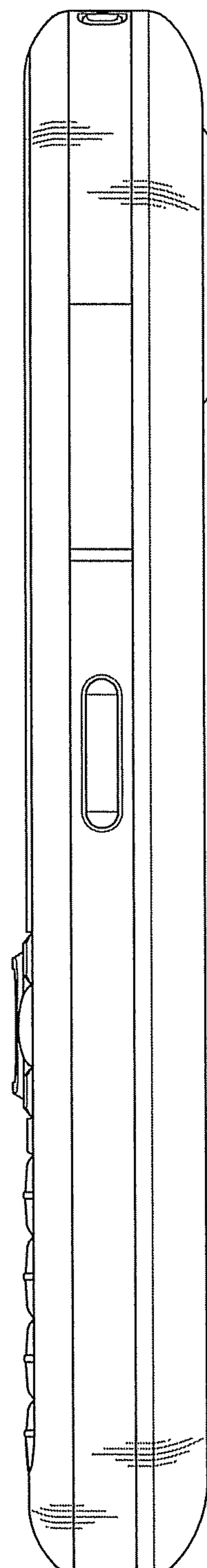


FIG. 6

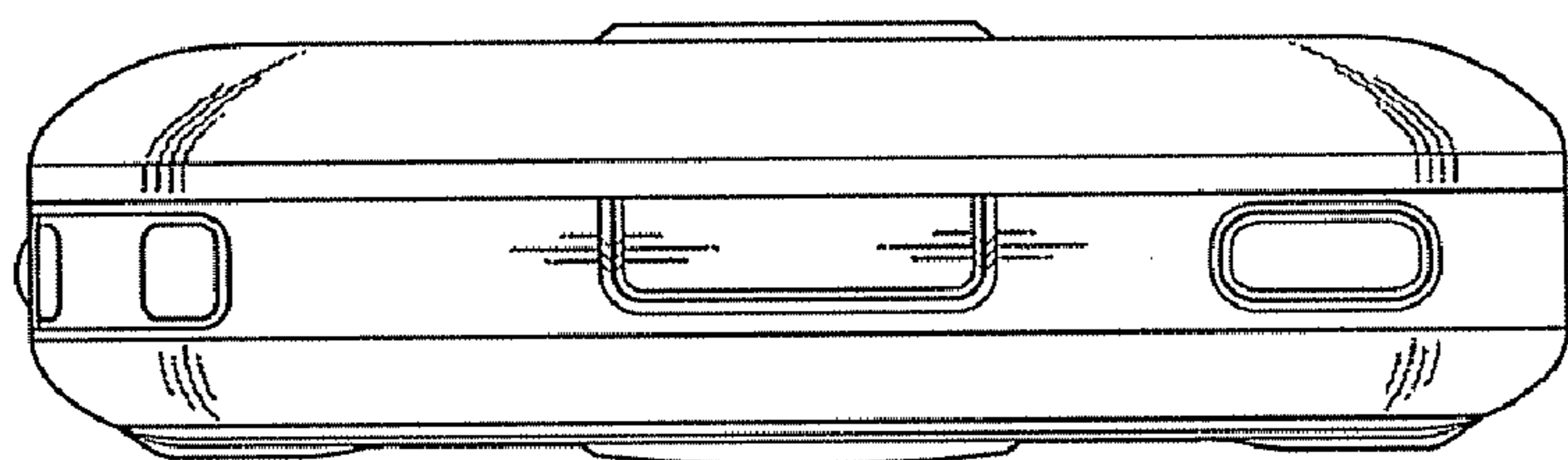


FIG. 7

