



US00D601527S

(12) **United States Design Patent**
Lee

(10) **Patent No.:** **US D601,527 S**
(45) **Date of Patent:** **** Oct. 6, 2009**

(54) **PORTABLE DVD PLAYER WITH EXTERNAL BATTERY**

(75) Inventor: **Johann Lee**, Maspeth, NY (US)

(73) Assignee: **Coby Electronics Corporation**, Lake Success, NY (US)

(**) Term: **14 Years**

(21) Appl. No.: **29/325,136**

(22) Filed: **Sep. 25, 2008**

Related U.S. Application Data

(62) Division of application No. 29/245,291, filed on Dec. 22, 2005, now Pat. No. Des. 579,890.

(51) **LOC (9) Cl.** **14-03**

(52) **U.S. Cl.** **D14/132**

(58) **Field of Classification Search** D14/125-134, D14/239, 371, 136, 374-377, 440, 450, 448, D14/336, 342; 312/7.2; 348/836, 838, 180, 348/184, 325, 739; 341/12; 248/917-924, 248/465; 345/104, 133, 156, 168, 87, 173; 720/605, 669, 600, 655; 369/99, 197; 455/344, 455/347; D21/329, 515, 577, 622, 333, 433, D21/448, 452, 450, 331; D6/477, 479, 300; 273/148 B; 446/484, 175, 356; D10/15, D10/26

See application file for complete search history.

(56) **References Cited**

U.S. PATENT DOCUMENTS

5,196,993	A	3/1993	Herron et al.
5,359,185	A	10/1994	Hanson
D412,900	S	8/1999	Utsugi
6,191,941	B1	2/2001	Ito et al.
6,233,141	B1	5/2001	Lee et al.
6,661,649	B2	12/2003	Tanaka et al.

D496,013	S	9/2004	Tanaka
D519,476	S *	4/2006	Peng D14/129
D533,526	S *	12/2006	Huang et al. D14/129
7,280,347	B2	10/2007	Wong et al.
7,359,185	B2 *	4/2008	Hiroyoshi 312/223.3
D568,271	S *	5/2008	Lee D14/132
D568,846	S *	5/2008	Lee D14/132
2004/0145864	A1	7/2004	Usui et al.
2005/0168937	A1	8/2005	Yin et al.

* cited by examiner

Primary Examiner—Raphael Barkai

(74) *Attorney, Agent, or Firm*—Mayer Brown LLP

(57) **CLAIM**

The ornamental design of a portable DVD player with external battery, as shown and described.

DESCRIPTION

A portion of this patent document contains material which is subject to copyright protection. The copyright owner has no objection to the facsimile reproduction by anyone of the patent document or the patent disclosure, as it appears in the Patent and Trademark Office patent files or records, but otherwise reserves all copyrights whatsoever.

FIG. 1 is a perspective view of a portable DVD player with external battery according to another embodiment of my new design (in closed position);

FIG. 2 is a top plan view thereof;

FIG. 3 is a right side elevation view thereof;

FIG. 4 is a rear elevation view thereof;

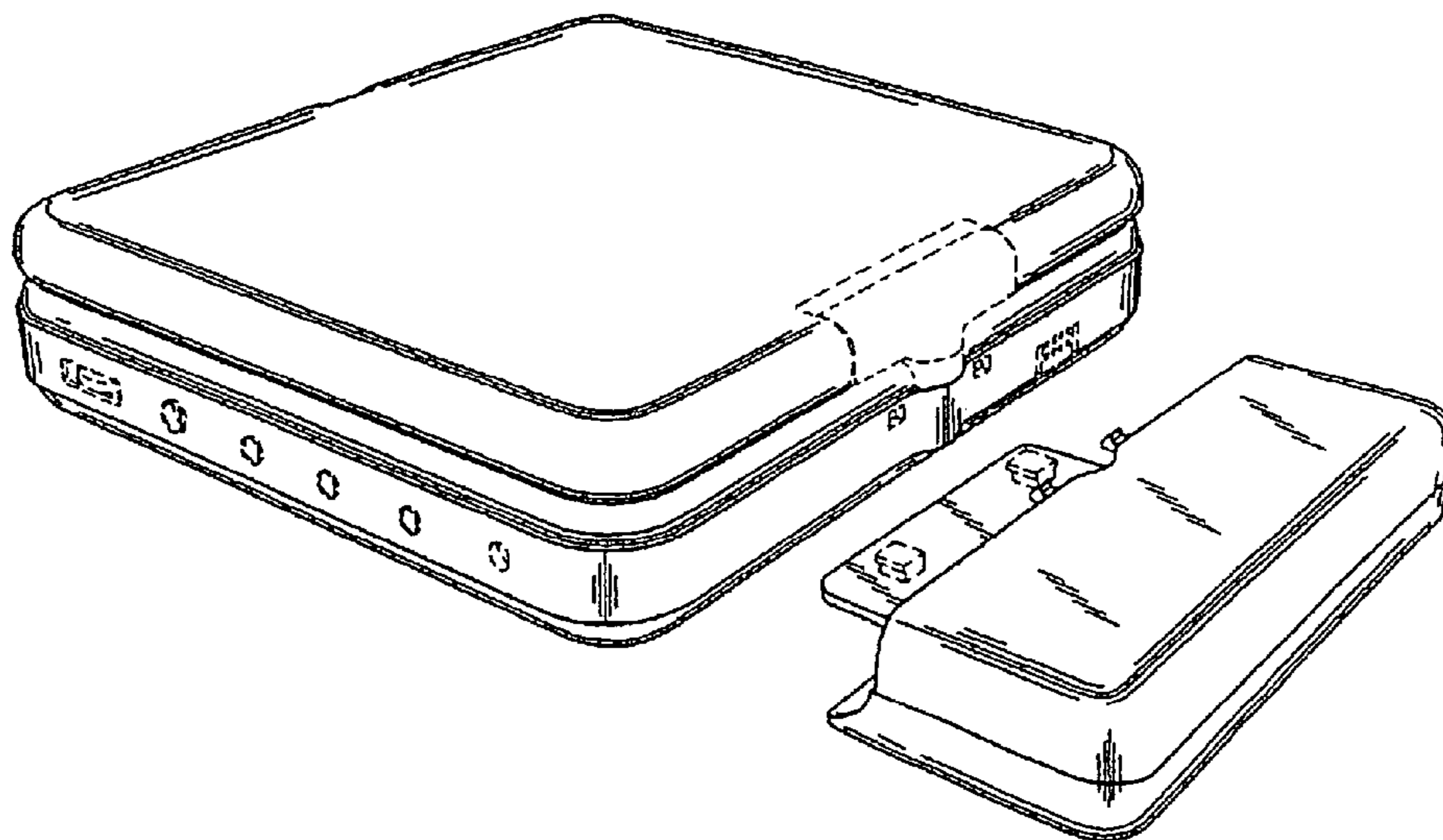
FIG. 5 is a bottom plan view thereof;

FIG. 6 is a perspective view thereof (in open position); and,

FIG. 7 is a perspective view thereof (with battery detached).

Portions in broken lines are for illustrative purposes only and form no part of the claimed design.

1 Claim, 6 Drawing Sheets



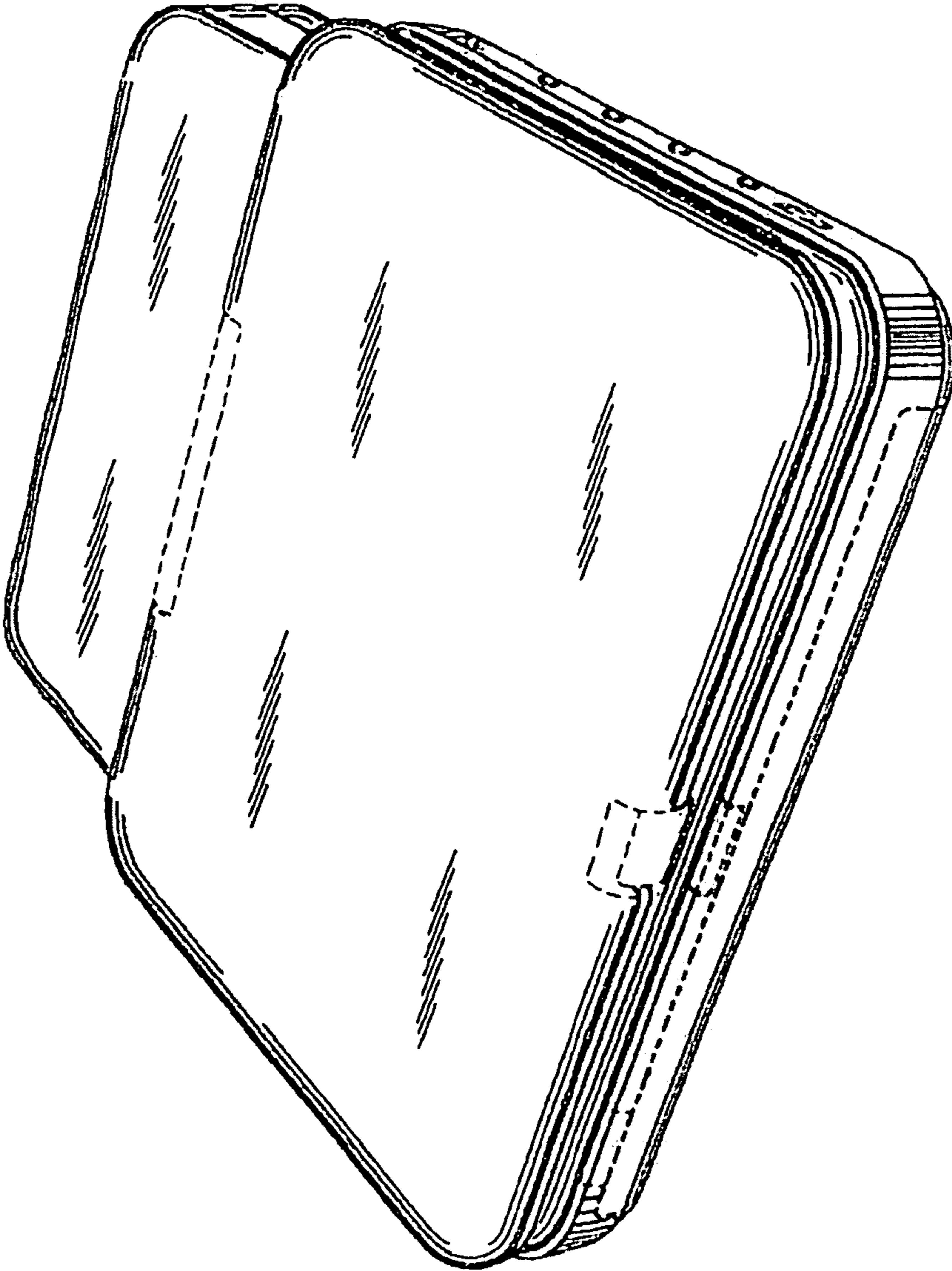


FIG. 1

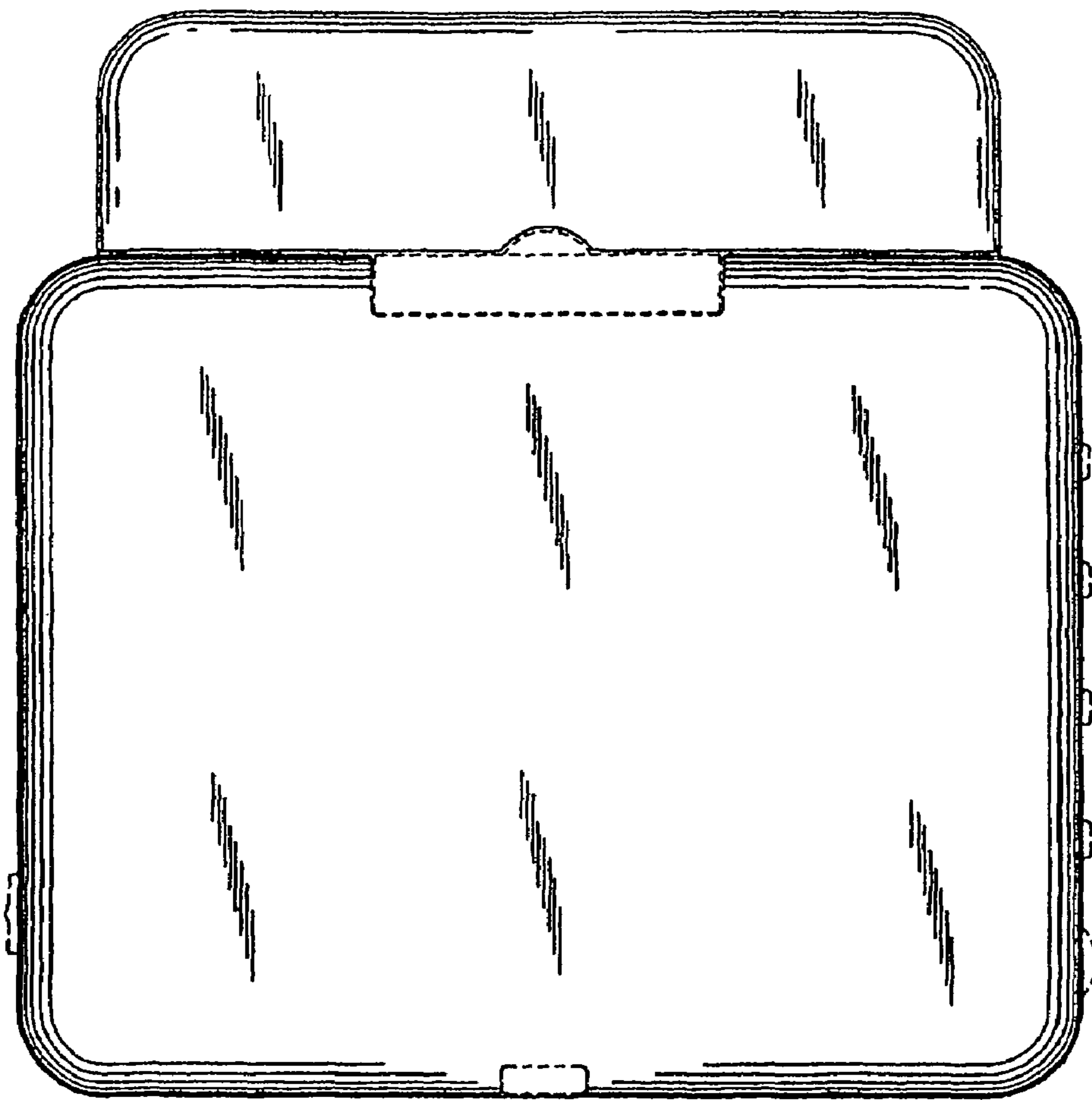


FIG. 2

FIG. 3

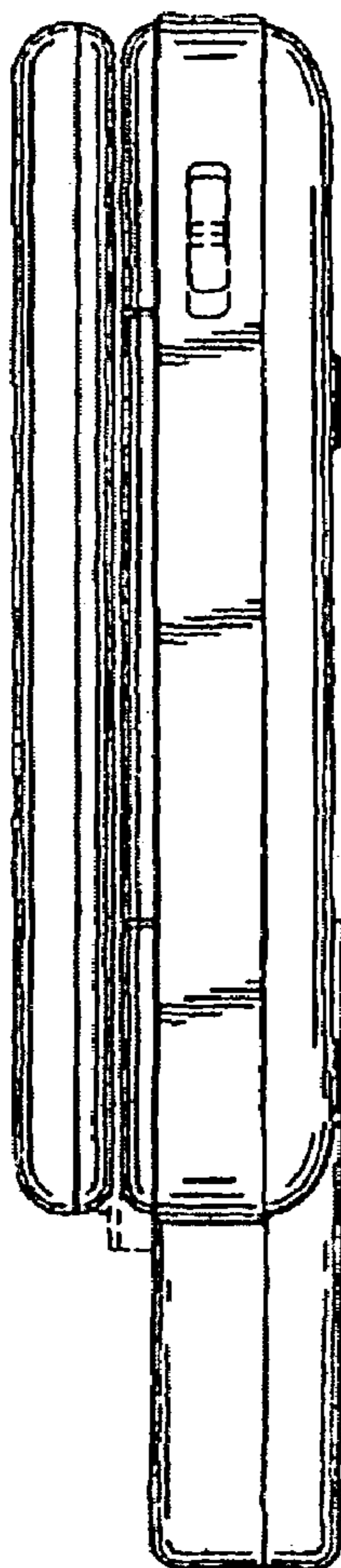
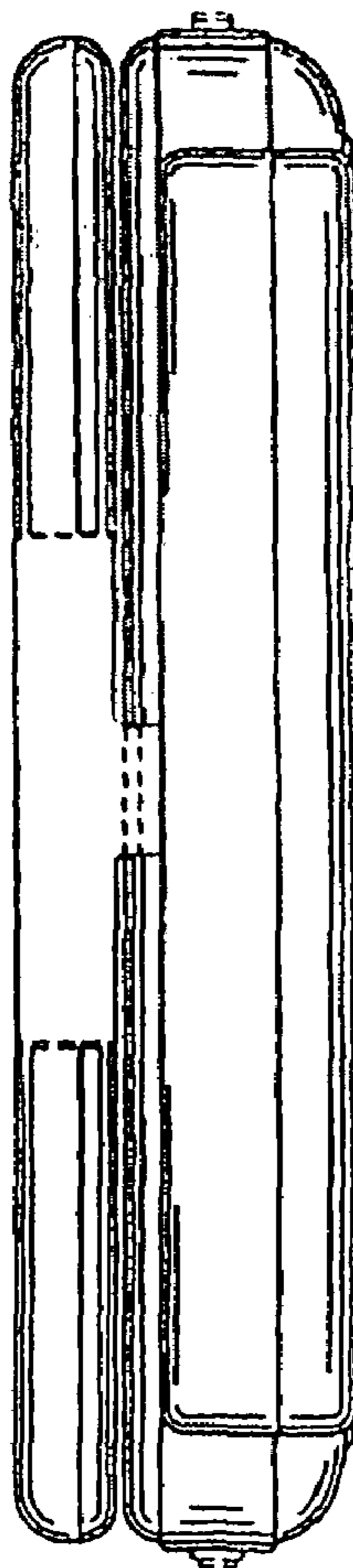


FIG. 4



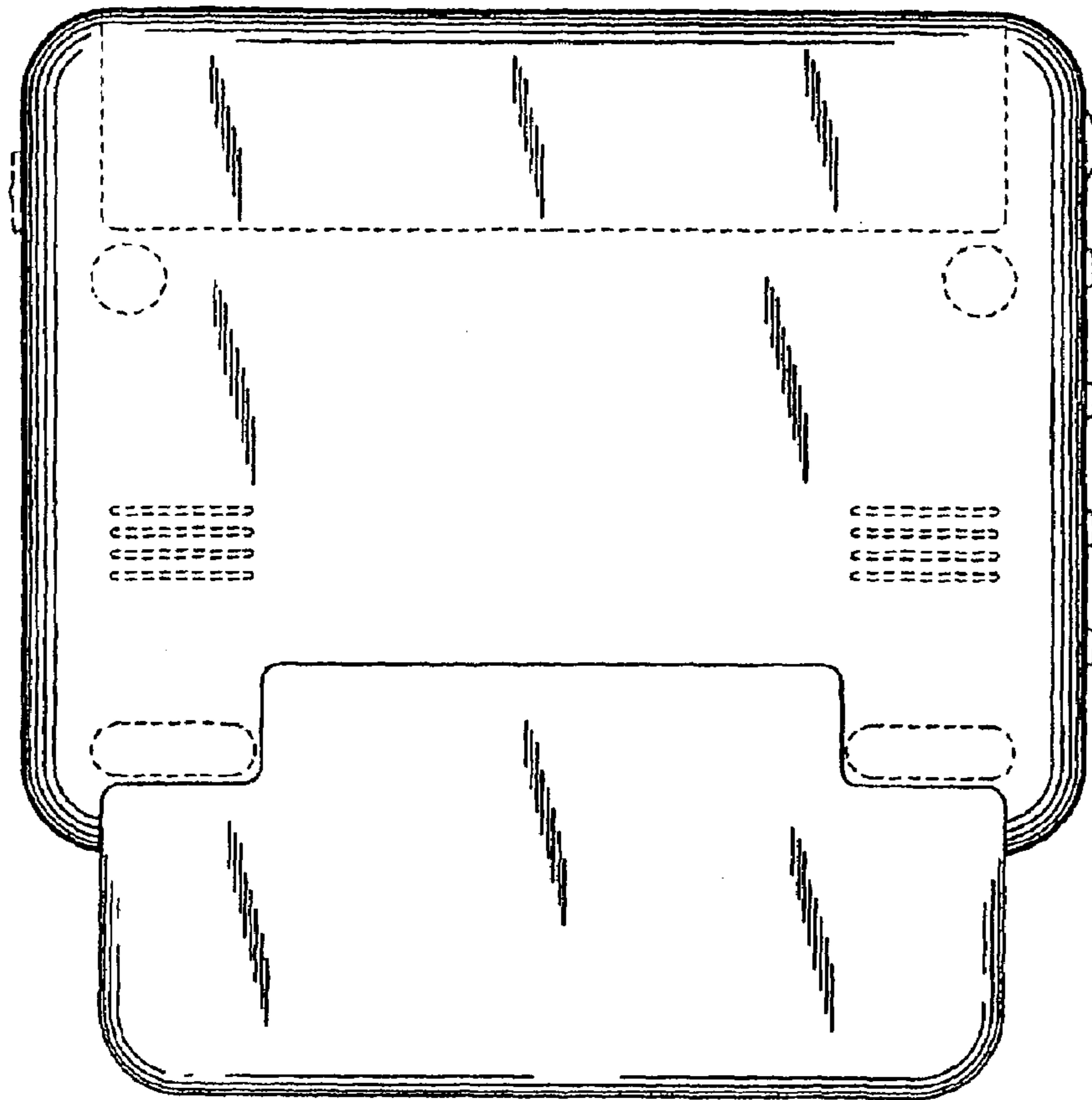


FIG. 5

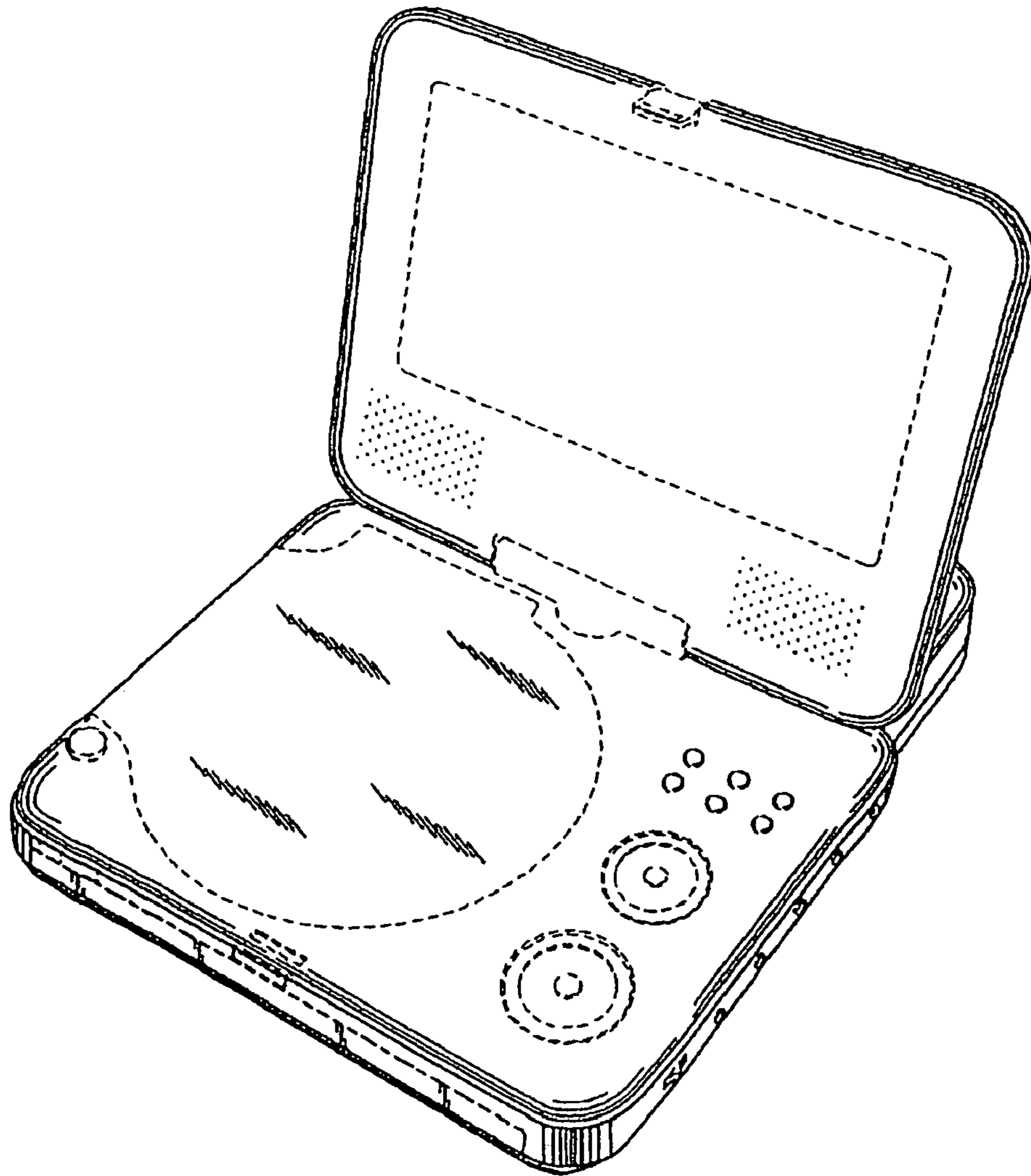


FIG. 6

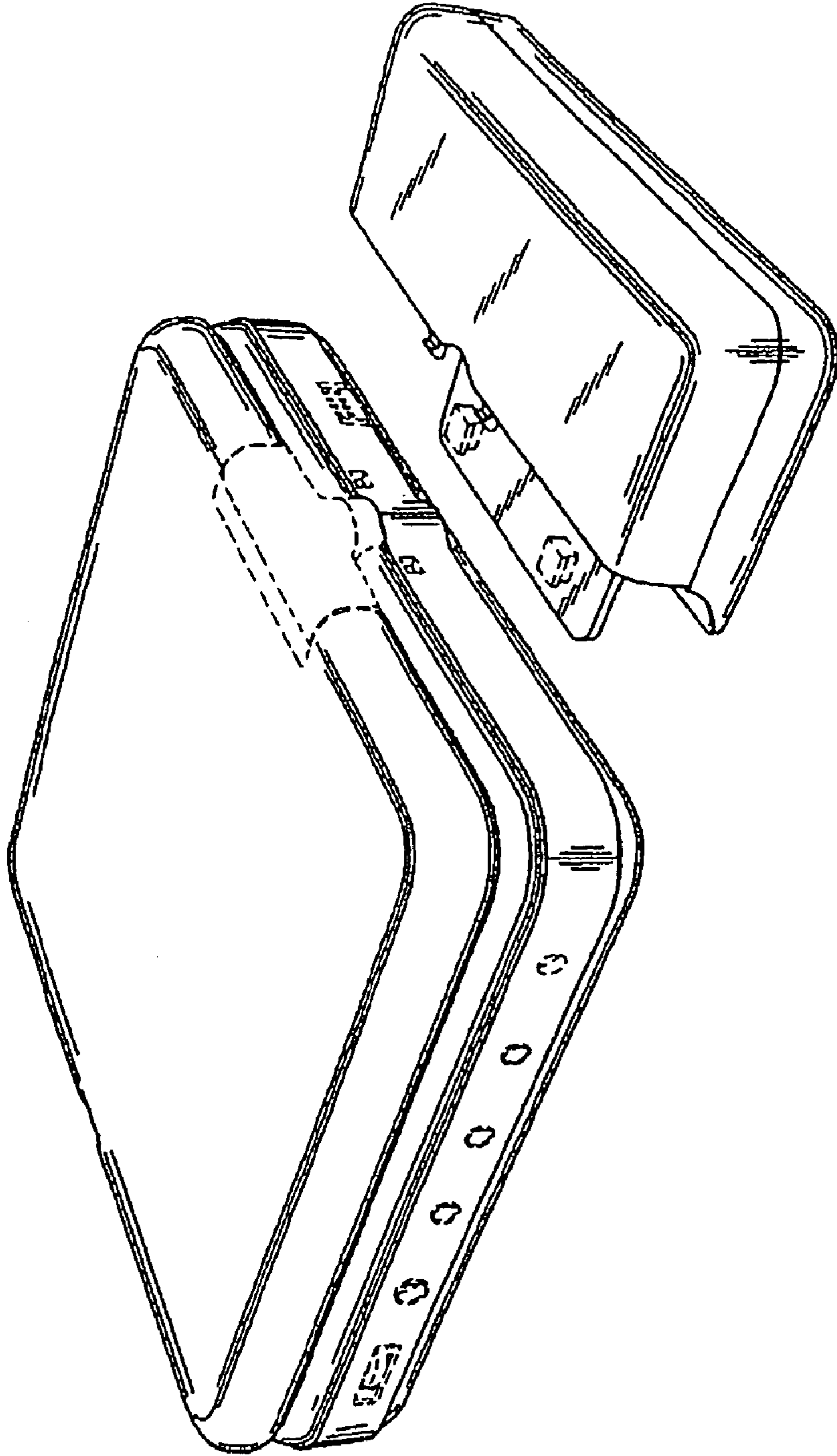


FIG. 7