

US00D601522S

(12) **United States Design Patent**
Chen

(10) **Patent No.:** **US D601,522 S**

(45) **Date of Patent:** **** Oct. 6, 2009**

(54) **DISPLAY**

(75) Inventor: **Yi-Cheng Chen**, Taipei County (TW)

(73) Assignee: **Hannspree, Inc.**, Taipei (TW)

(**) Term: **14 Years**

(21) Appl. No.: **29/311,494**

(22) Filed: **Apr. 1, 2009**

(51) **LOC (9) Cl.** **14-03**

(52) **U.S. Cl.** **D14/126**

(58) **Field of Classification Search** D14/126,
D14/239, 371, 374-377, 440, 450, 448, 336,
D14/342; 348/836, 838, 180, 184, 325, 739;
341/12; 248/917-924, 465; 345/104, 133,
345/156, 168, 87, 173; 720/605, 669, 600,
720/655; 369/99, 197; 455/344, 347; D21/329,
D21/515, 577, 622, 333, 433, 448, 452, 450,
D21/331; D6/477, 479, 300; 273/148 B;
446/484, 175, 356; D10/15, 26

See application file for complete search history.

(56) **References Cited**

U.S. PATENT DOCUMENTS

D563,916 S * 3/2008 Shimizu et al. D14/126
D567,201 S * 4/2008 Profit D14/126
D572,680 S * 7/2008 Lee et al. D14/126
D572,684 S * 7/2008 Suzuki et al. D14/126
D575,247 S * 8/2008 Lee D14/126

D579,889 S * 11/2008 Noh D14/129
D584,704 S * 1/2009 Quaglio D14/126
D585,853 S * 2/2009 Lee et al. D14/126
D589,917 S * 4/2009 Kaneko et al. D14/126
D593,974 S * 6/2009 Yang et al. D14/126
D594,428 S * 6/2009 Sun D14/126
D594,830 S * 6/2009 Shiraki et al. D14/129
D595,249 S * 6/2009 Lee D14/126

* cited by examiner

Primary Examiner—Joel Sincavage

Assistant Examiner—Abraham Bahta

(74) *Attorney, Agent, or Firm*—Ditthavong, Mori & Steiner,
P.C.

(57) **CLAIM**

The ornamental design for a display, as shown and described.

DESCRIPTION

FIG. 1 is a front perspective view of a display showing my
new design;

FIG. 2 is a front elevational view thereof;

FIG. 3 is a rear elevational view thereof;

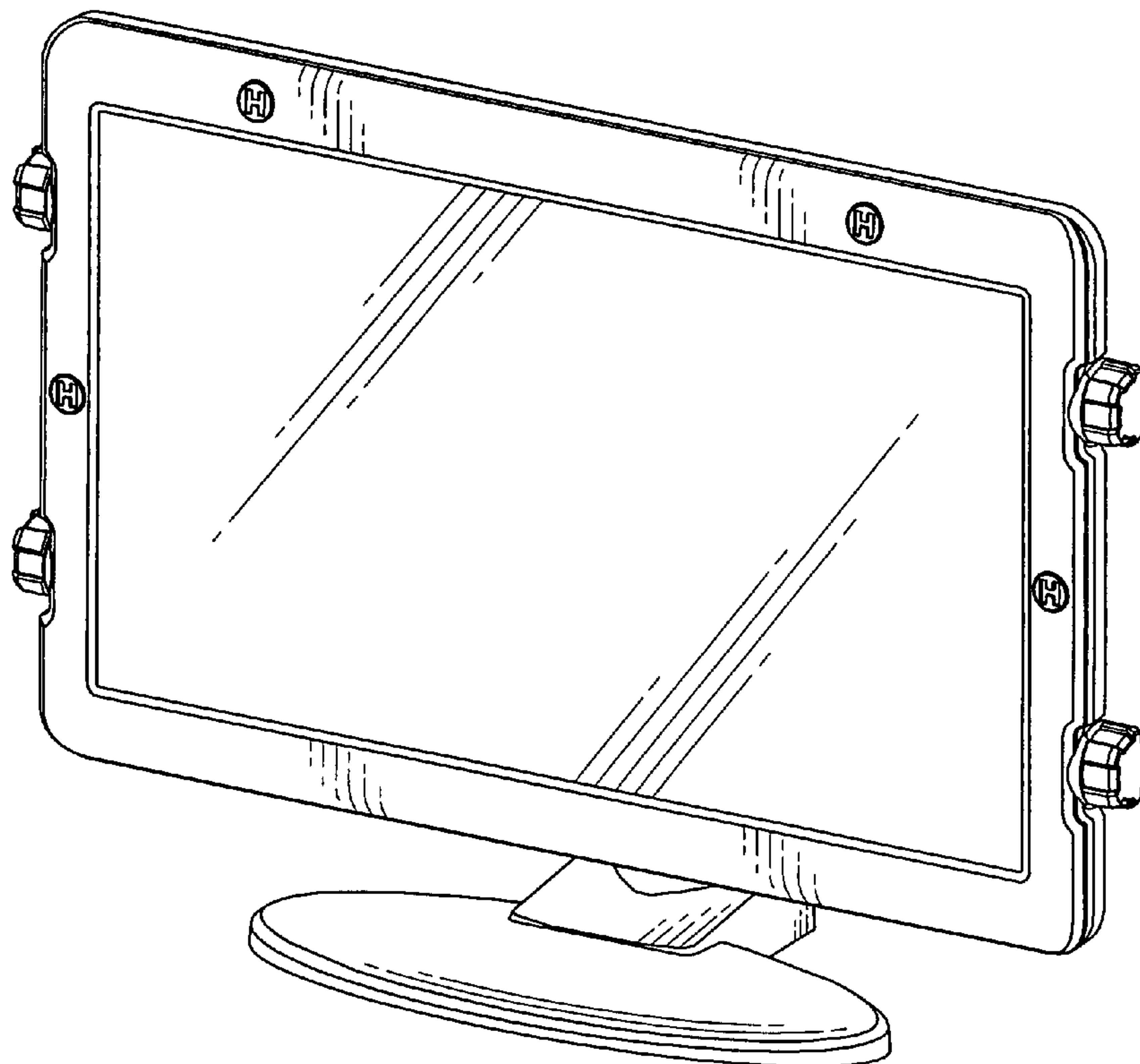
FIG. 4 is a left side elevational view thereof;

FIG. 5 is a right side elevational view thereof;

FIG. 6 is a top plan view thereof; and,

FIG. 7 is a bottom plan view thereof.

1 Claim, 7 Drawing Sheets



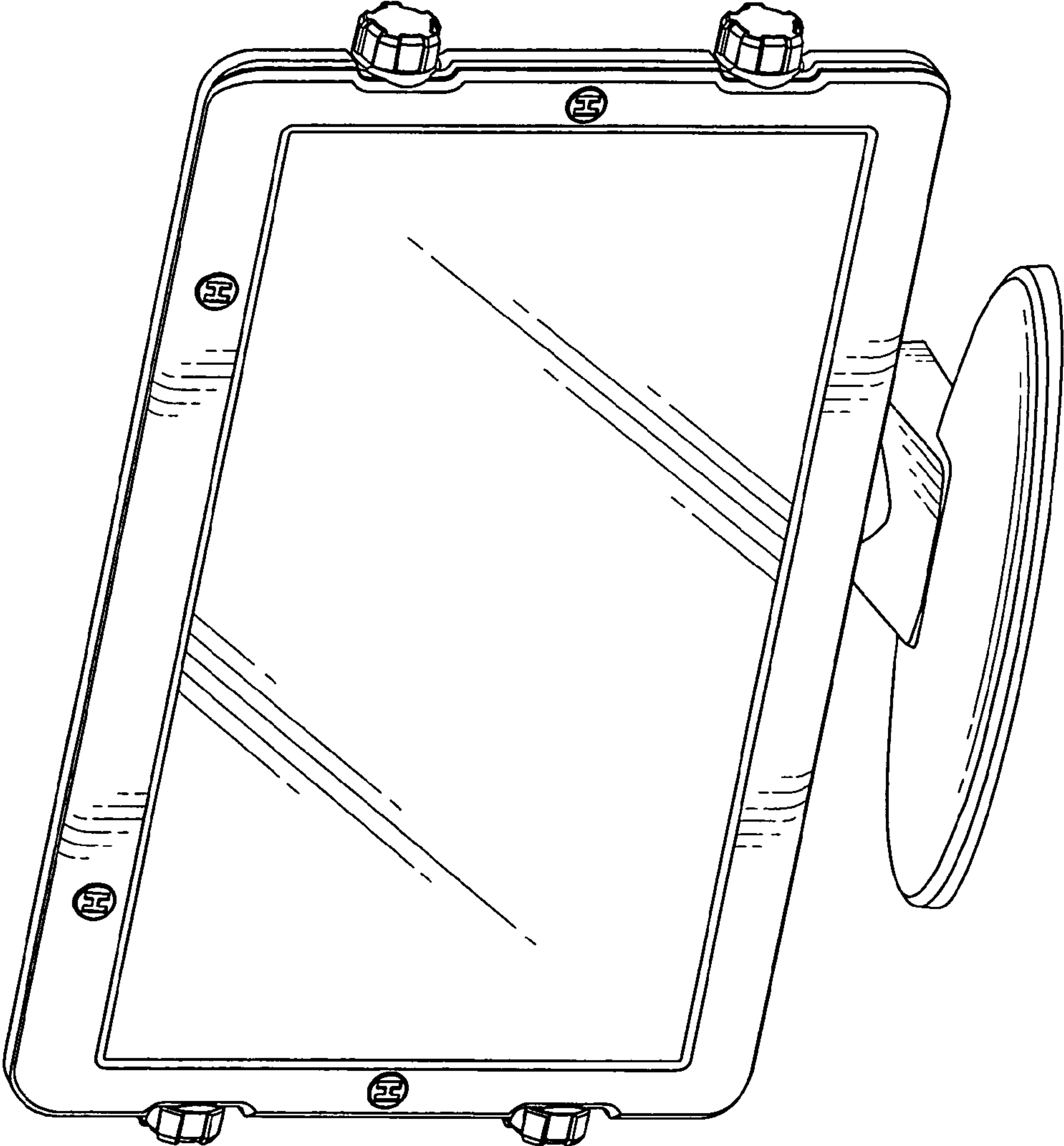


Fig. 1

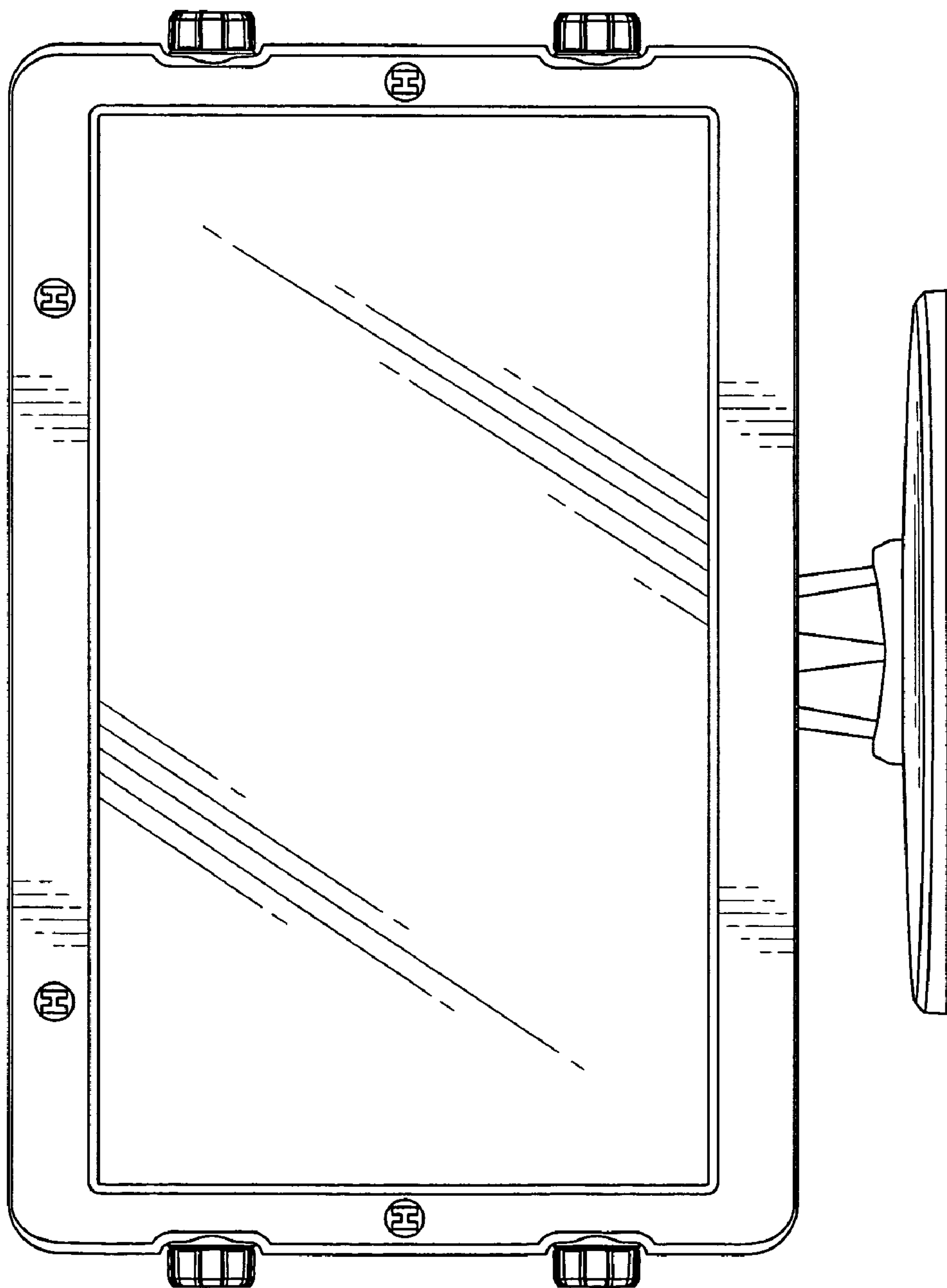


Fig. 2

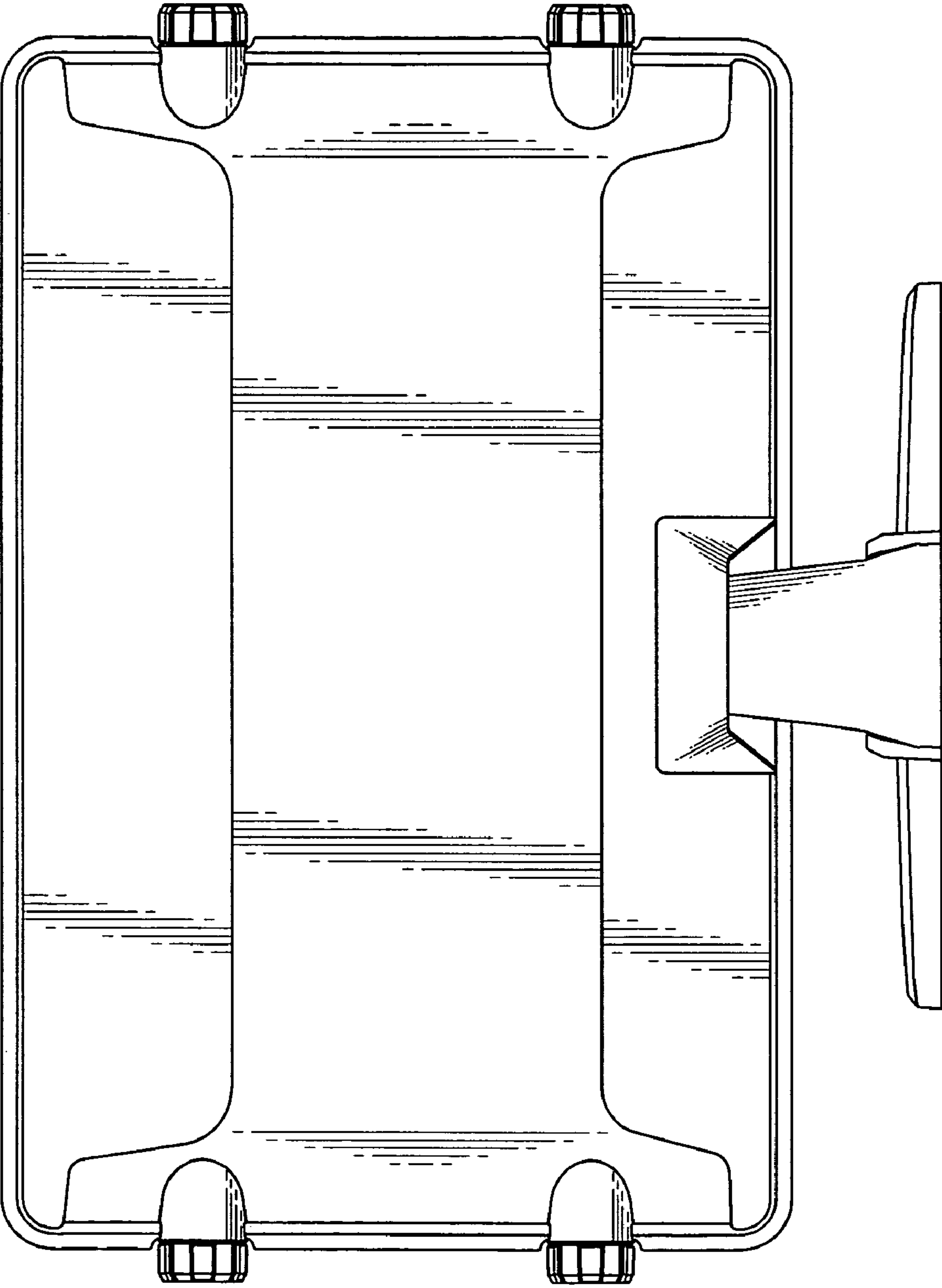


Fig. 3

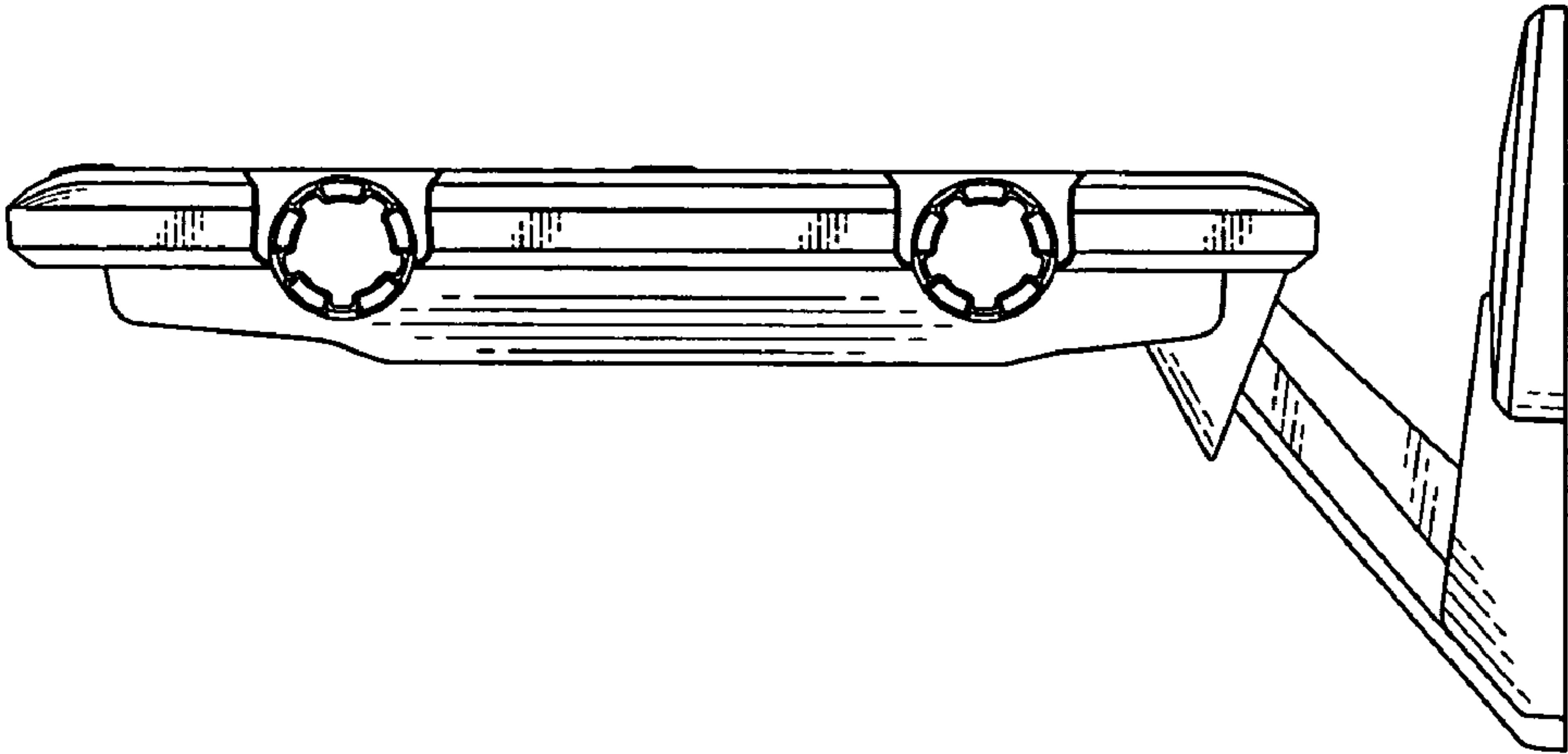


Fig. 4

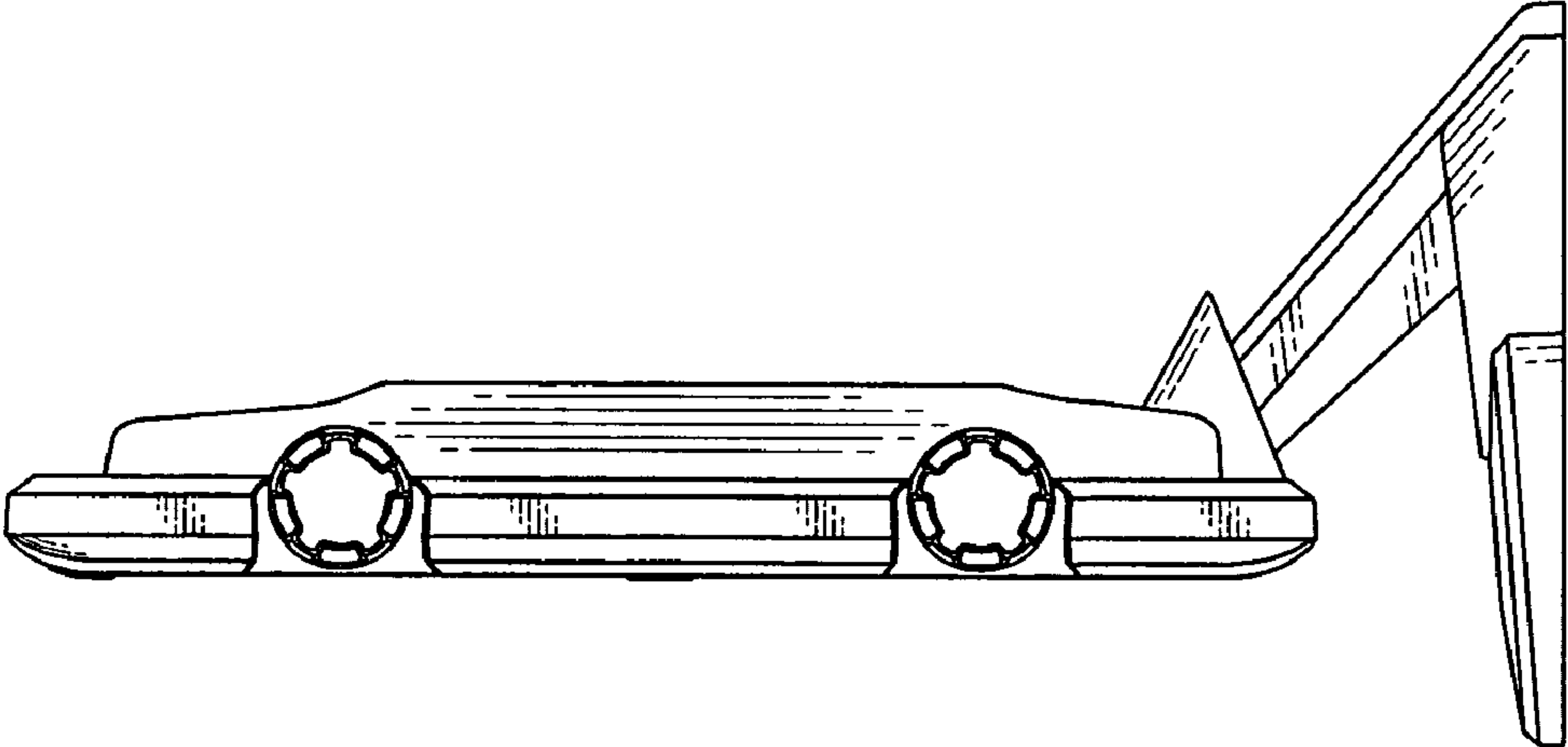


Fig. 5

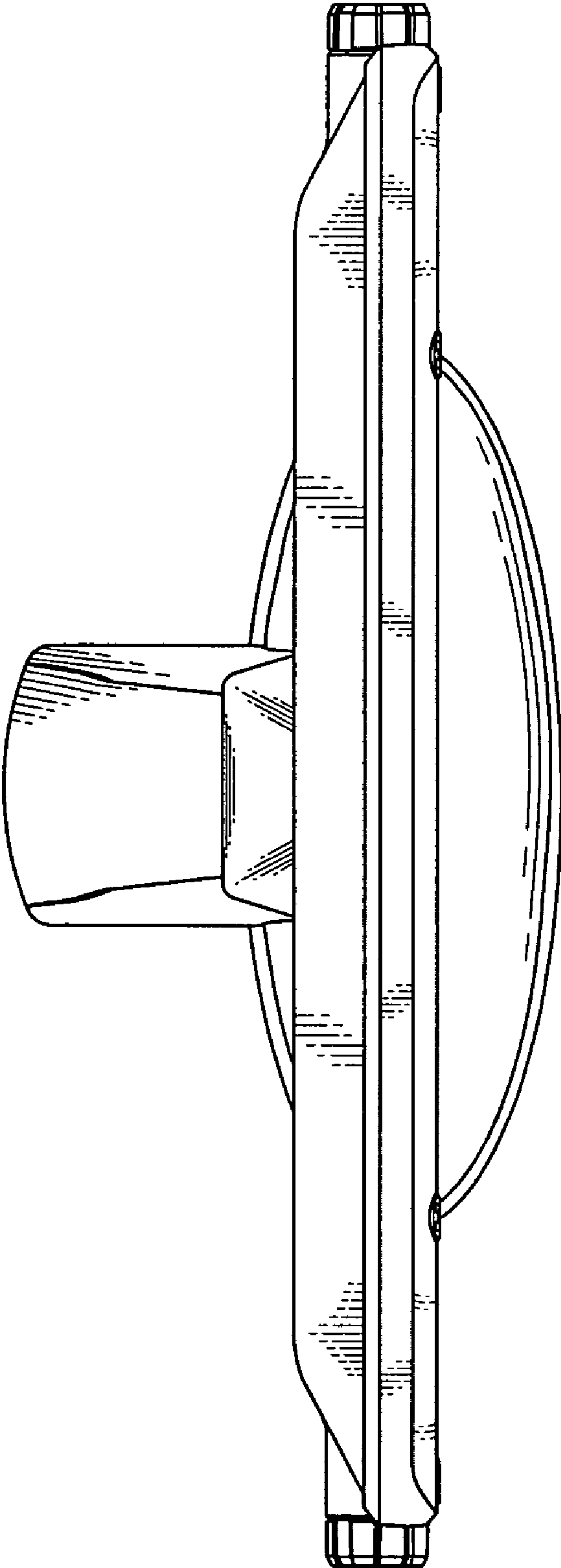


Fig. 6

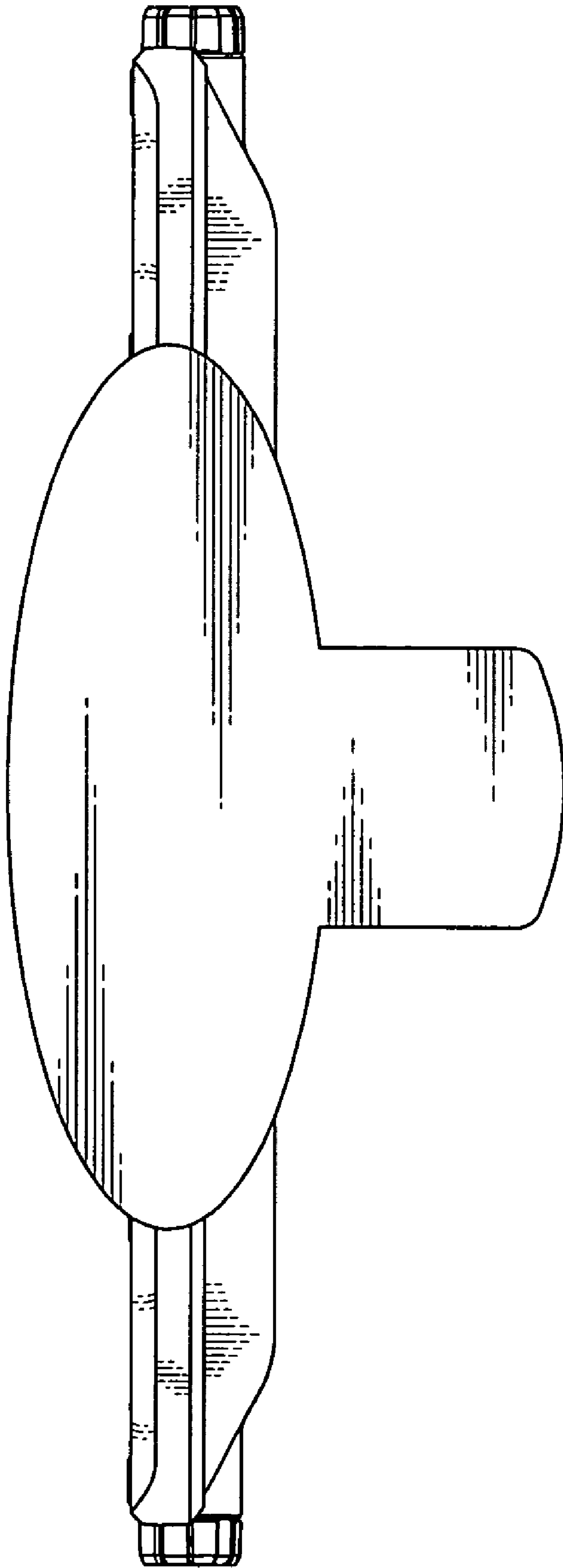


Fig. 7