



US00D601514S

(12) **United States Design Patent**
Lin

(10) **Patent No.:** **US D601,514 S**
(45) **Date of Patent:** **** Oct. 6, 2009**

(54) **CONTROL PANEL**

(75) Inventor: **Mu-Chun Lin**, Taichung (TW)

(73) Assignee: **Chyng Hong Electronic Co.**, Taichung (TW)

(**) Term: **14 Years**

(21) Appl. No.: **29/328,197**

(22) Filed: **Nov. 20, 2008**

(51) **LOC (9) Cl.** **13-03**

(52) **U.S. Cl.** **D13/177**

(58) **Field of Classification Search** D13/162,
D13/164, 173, 177, 184, 199; 174/66, 77,
174/58; 200/339; D8/353; 220/241
See application file for complete search history.

(56) **References Cited**

U.S. PATENT DOCUMENTS

D344,684	S	*	3/1994	Metz et al.	D10/103
D357,461	S	*	4/1995	Zaplatynsky et al.	D13/177
D366,460	S	*	1/1996	Jorgenson	D13/177
D415,116	S	*	10/1999	Creutz et al.	D13/182
D457,862	S	*	5/2002	Falk et al.	D13/162
D563,909	S	*	3/2008	Kidman	D13/177
D572,203	S	*	7/2008	Ha et al.	D13/164

* cited by examiner

Primary Examiner—Daniel D Bui

Assistant Examiner—Thomas J Johannes

(74) *Attorney, Agent, or Firm*—Ming Chow; Sinorca, LLC

(57) **CLAIM**

I claim the ornamental design for a control panel, as shown and described.

DESCRIPTION

FIG. 1 is a front perspective view of a control panel showing my new design;

FIG. 2 is a front elevational view thereof;

FIG. 3 is a rear elevational view thereof;

FIG. 4 is a left side elevational view thereof;

FIG. 5 is a right side elevational view thereof;

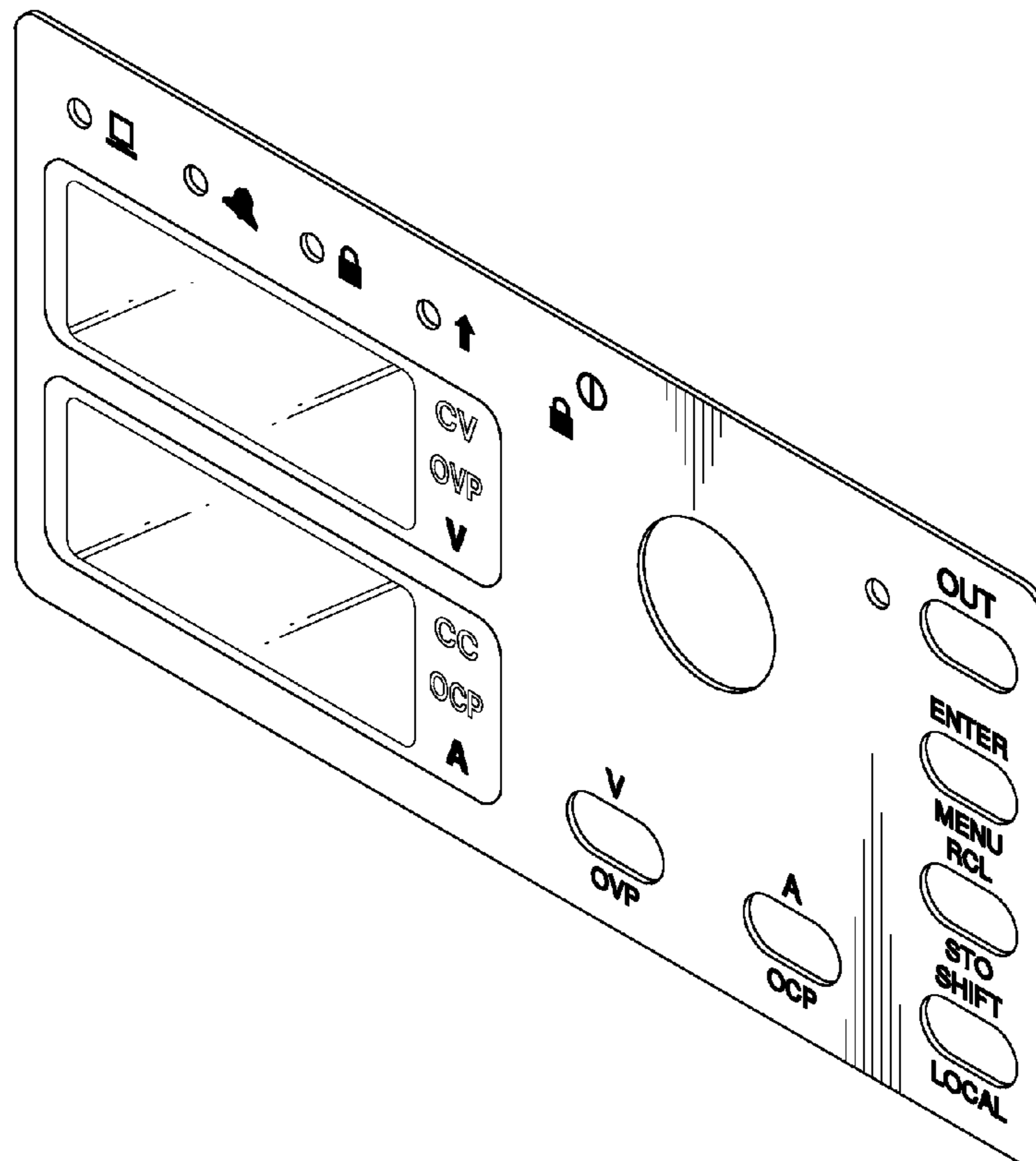
FIG. 6 is a top plan view thereof;

FIG. 7 is a bottom plan view thereof; and,

FIG. 8 is a front end view of the control panel in accordance with my design, shown in its environment thereof.

The broken lines in the views show environmental features, which are for environmental purposes only and form no part of the claimed design.

1 Claim, 5 Drawing Sheets



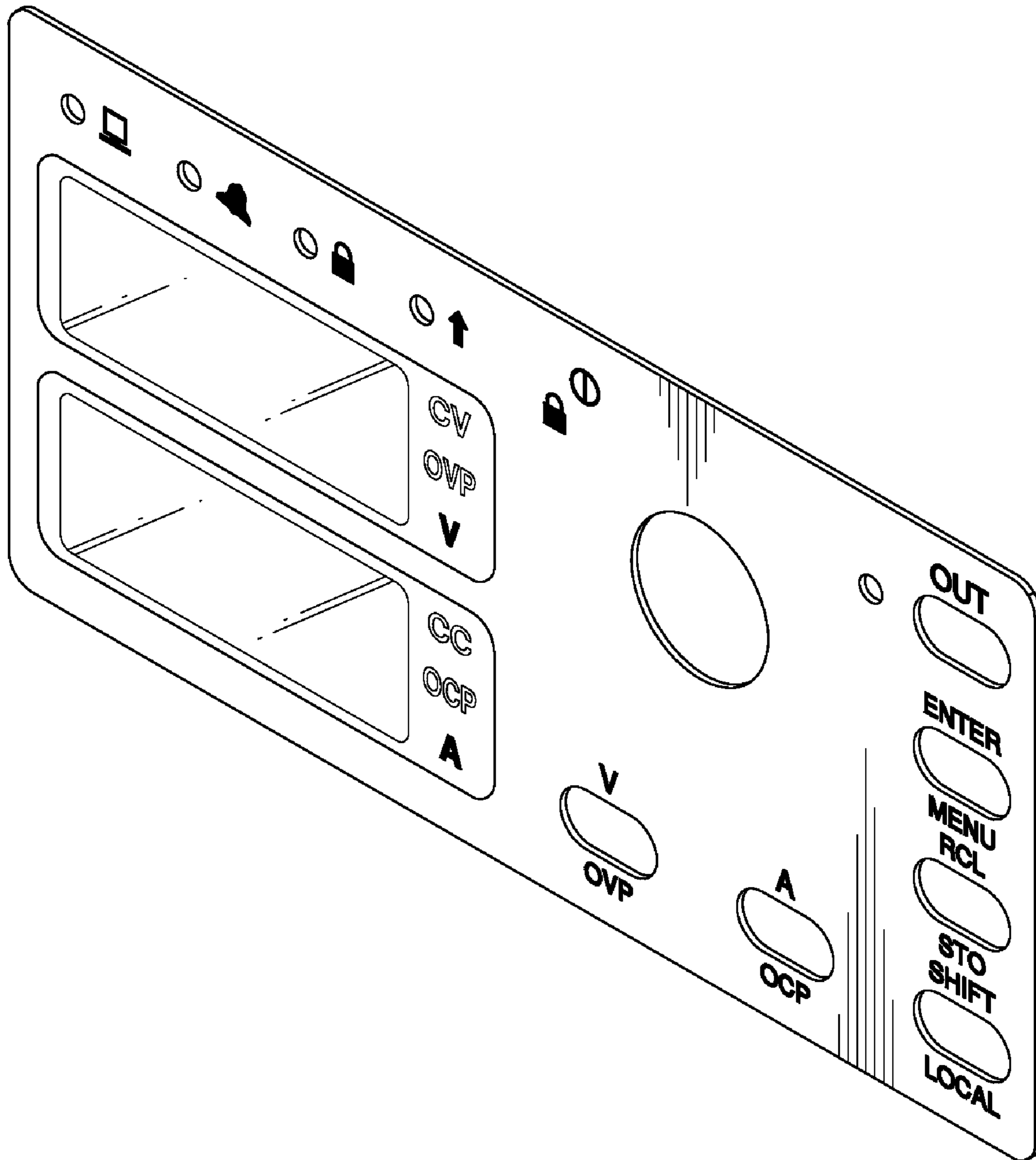


FIG. 1

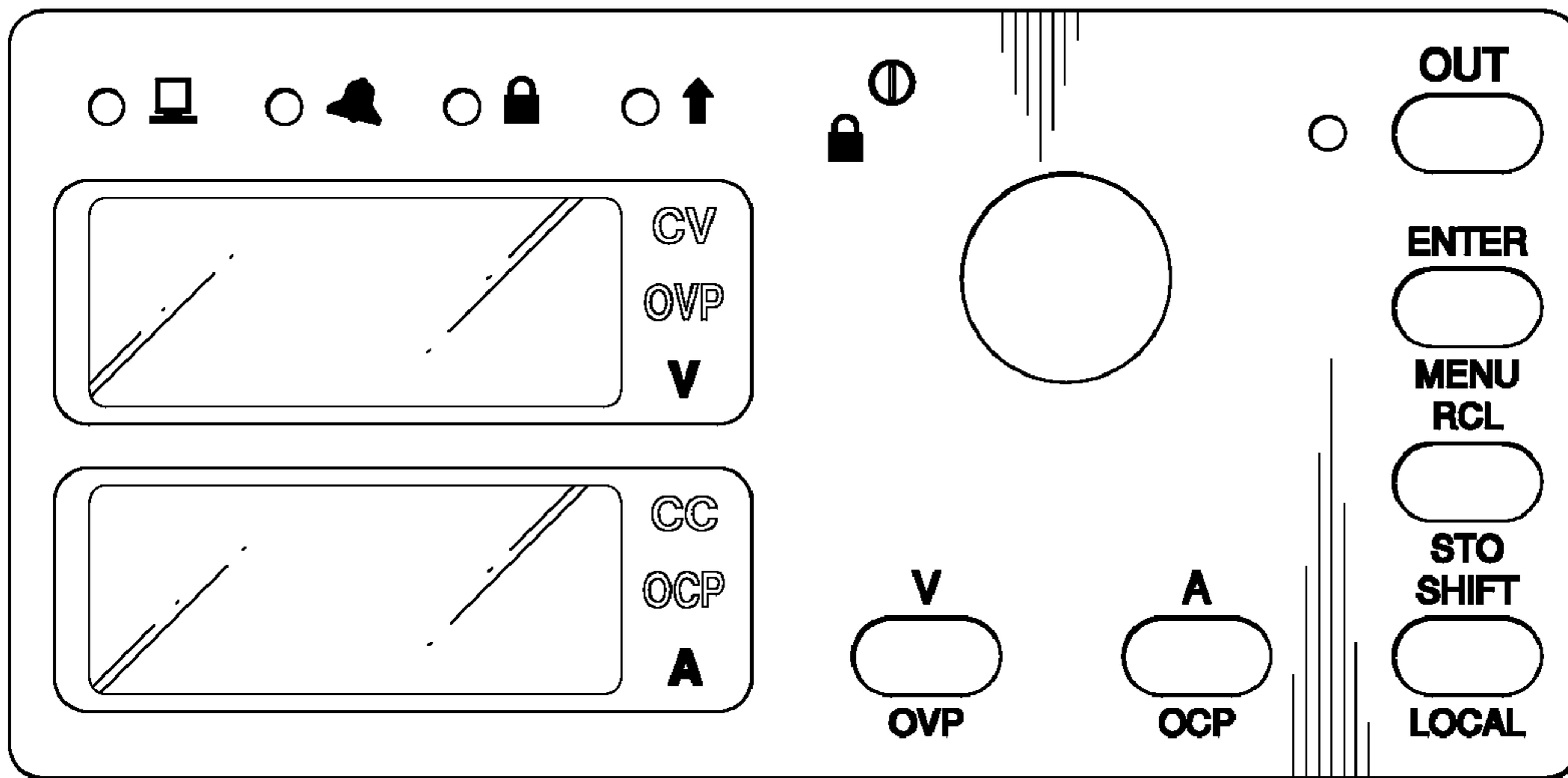


FIG. 2

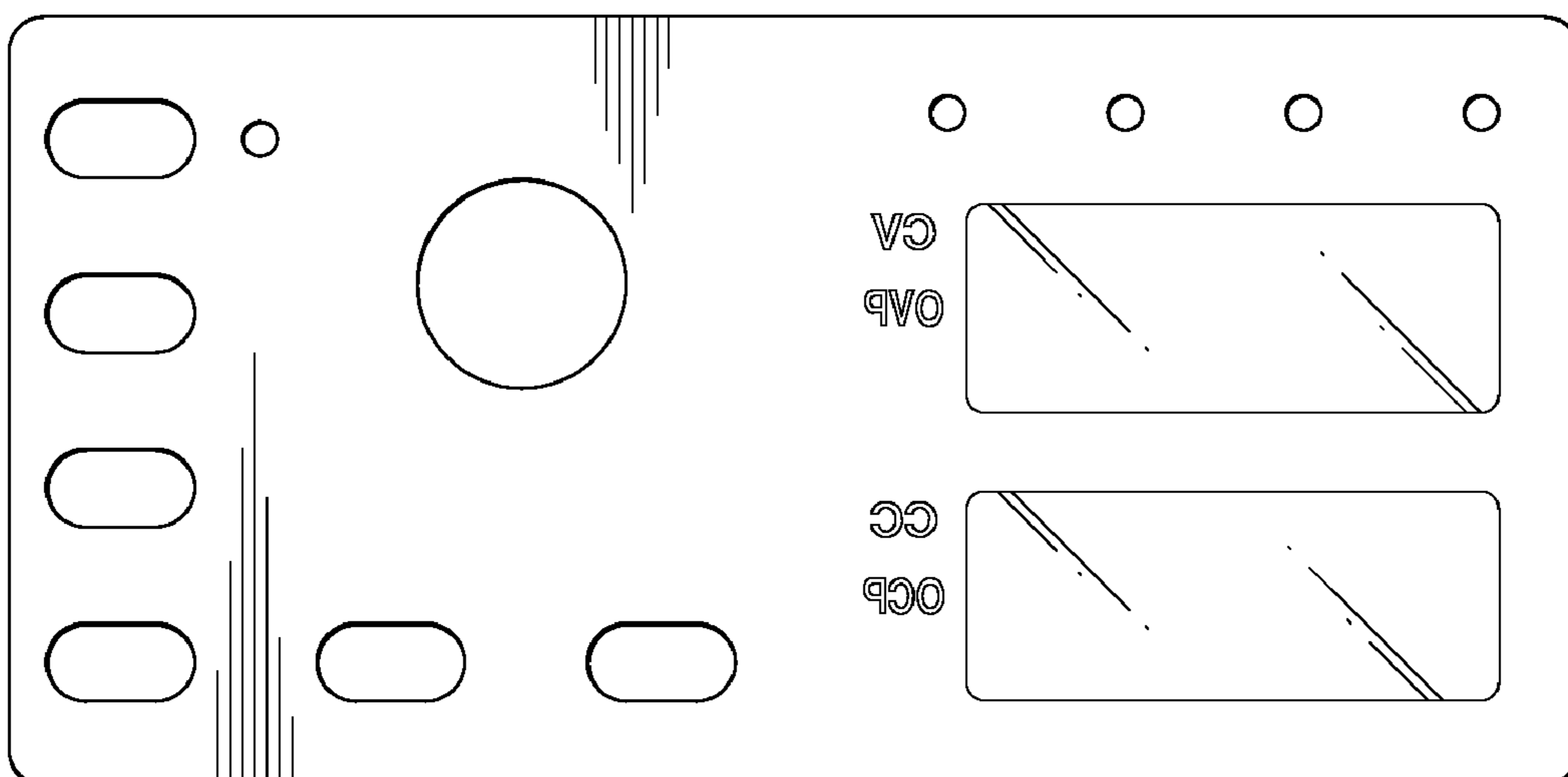


FIG. 3



FIG. 4



FIG. 5



FIG. 6



FIG. 7

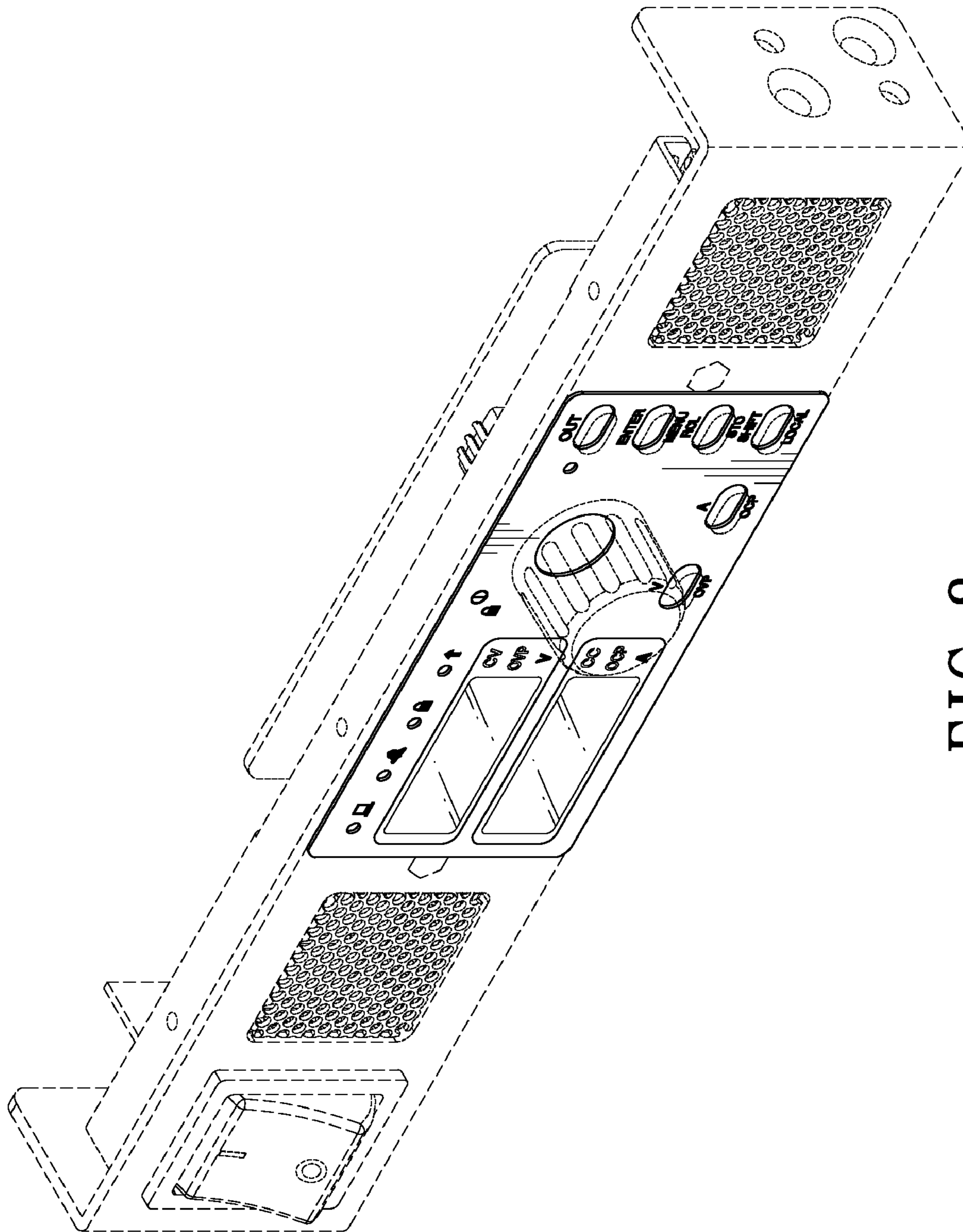


FIG. 8