



US00D601511S

(12) **United States Design Patent**  
**Lee**

(10) **Patent No.:** **US D601,511 S**  
(45) **Date of Patent:** **\*\* Oct. 6, 2009**

(54) **PATCH PLUG**

(75) Inventor: **Scott David Lee**, Terrigal (AU)

(73) Assignee: **ADC GmbH**, Berlin (DE)

(\*\*) Term: **14 Years**

(21) Appl. No.: **29/291,548**

(22) Filed: **Sep. 5, 2007**

(30) **Foreign Application Priority Data**

Mar. 30, 2007 (AU) ..... 17231/2007

(51) **LOC (9) Cl.** ..... **13-03**

(52) **U.S. Cl.** ..... **D13/164**

(58) **Field of Classification Search** ..... D13/133,  
D13/146-147, 151, 154, 164; 439/404, 405,  
439/608, 731

See application file for complete search history.

(56) **References Cited**

**U.S. PATENT DOCUMENTS**

D417,863 S \* 12/1999 Casper et al. .... D13/147  
D418,478 S \* 1/2000 Lin ..... D13/146  
6,010,353 A \* 1/2000 Ensz et al. .... 439/404  
D421,963 S \* 3/2000 Lin ..... D13/146  
6,761,589 B2 \* 7/2004 Venditti et al. .... 439/596  
6,923,672 B1 \* 8/2005 Chen ..... 439/404

7,125,284 B2 \* 10/2006 Ripper et al. .... 439/596

**FOREIGN PATENT DOCUMENTS**

AU 2003254359 3/2004  
WO WO 2004/010536 1/2004

**OTHER PUBLICATIONS**

U.S. Appl. No. 29/291,554, filed Sep. 5, 2007.

\* cited by examiner

*Primary Examiner*—Nanda Bondade

(74) *Attorney, Agent, or Firm*—Merchant & Gould P.C.

(57) **CLAIM**

The ornamental design for the patch plug, as shown and described.

**DESCRIPTION**

FIG. 1 is a side view of a patch plug showing my design;

FIG. 2 is a front view thereof;

FIG. 3 is another side view thereof;

FIG. 4 is a back view thereof;

FIG. 5 is a top view thereof;

FIG. 6 is a bottom view thereof;

FIG. 7 is a perspective view of the top side thereof; and,

FIG. 8 is a perspective view of the bottom side thereof.

**1 Claim, 7 Drawing Sheets**

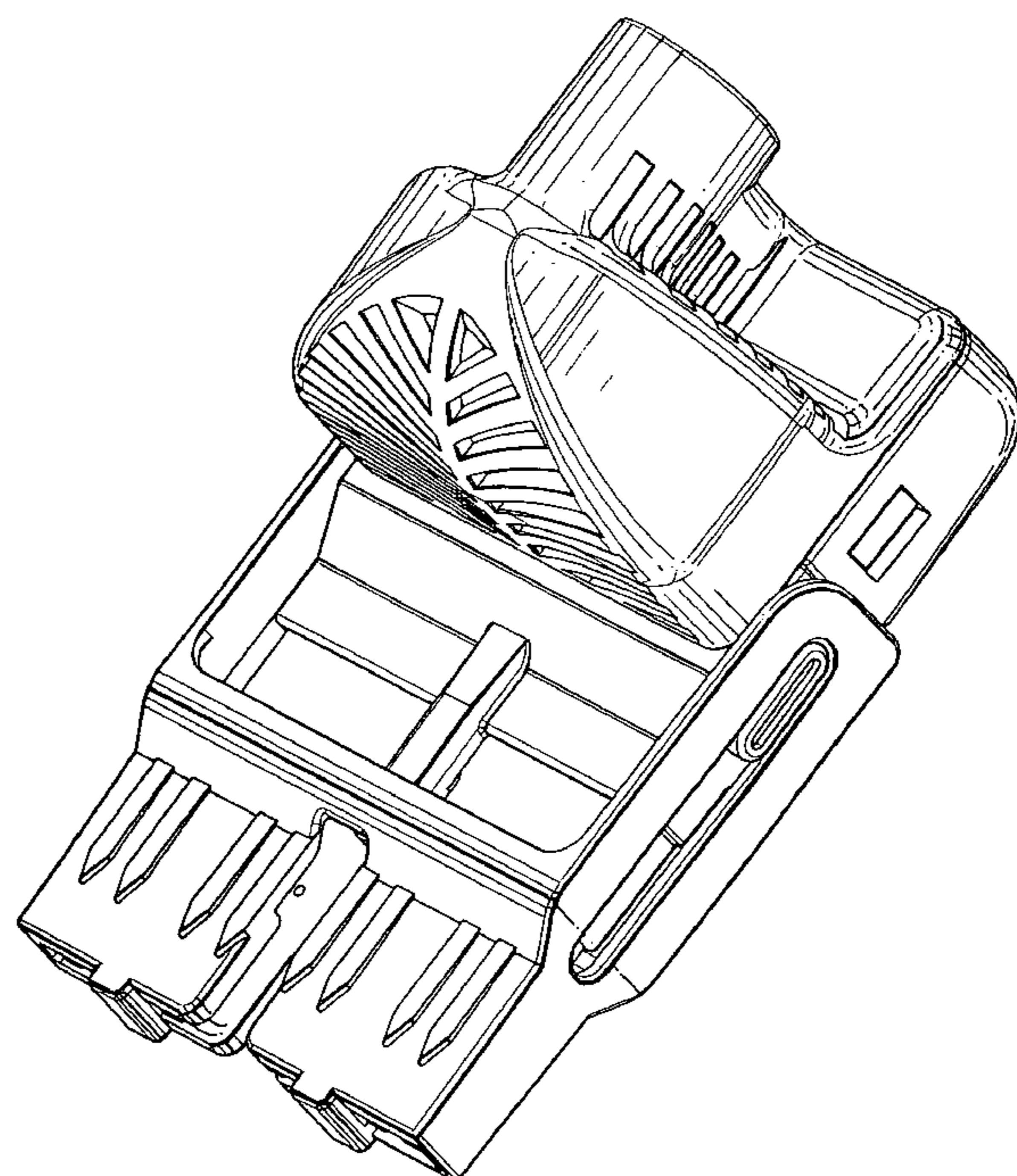
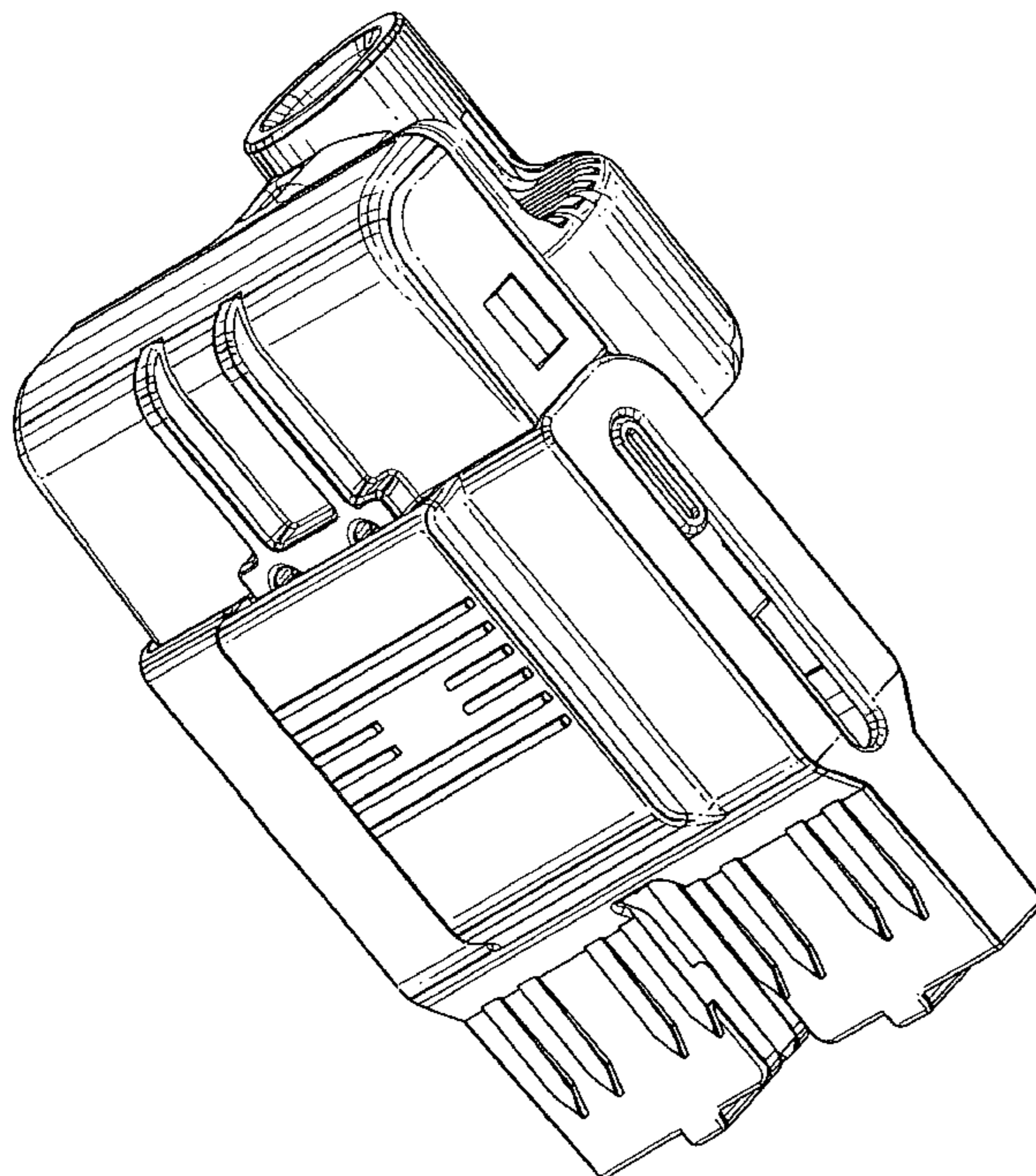


FIG. 1

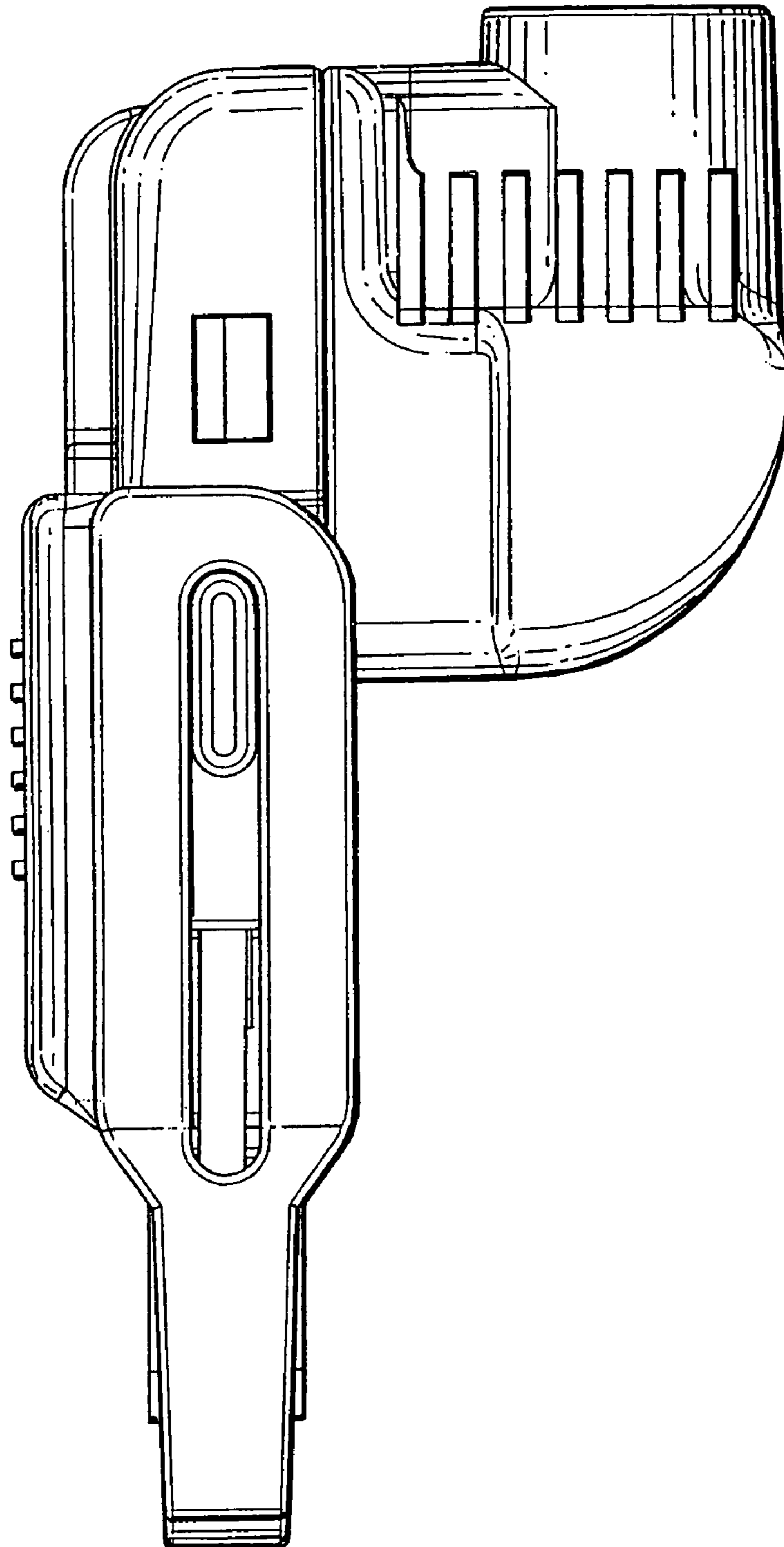
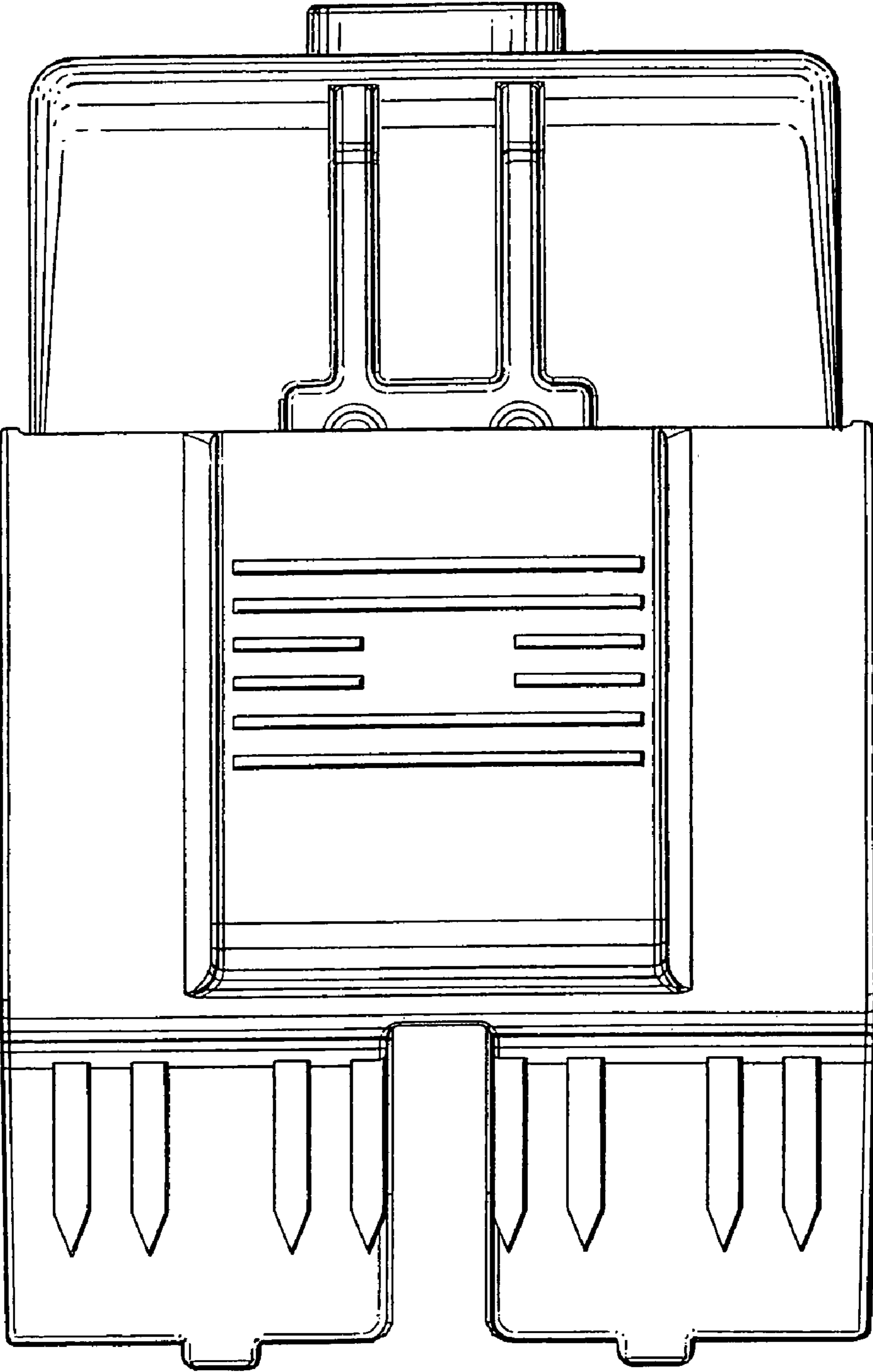
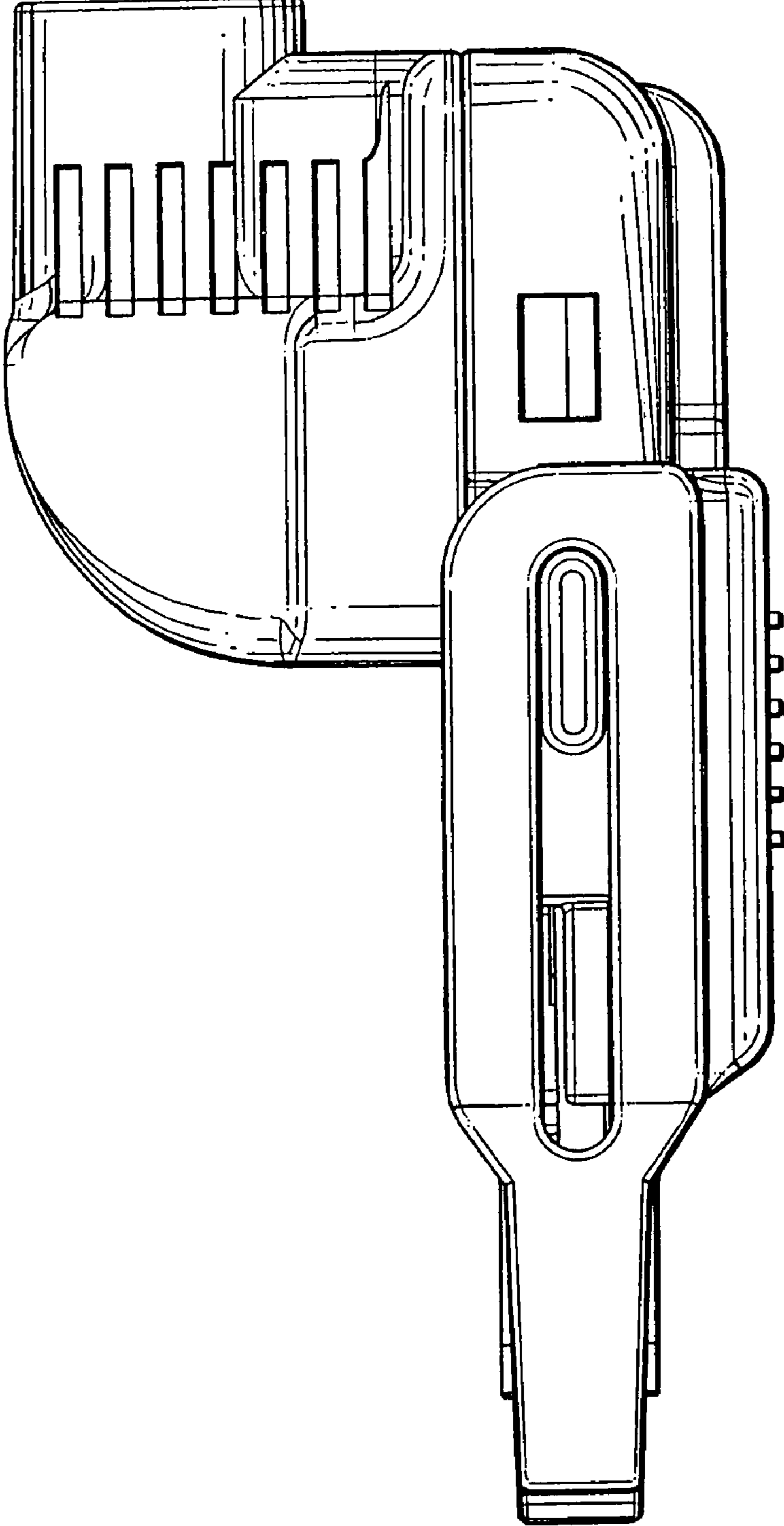


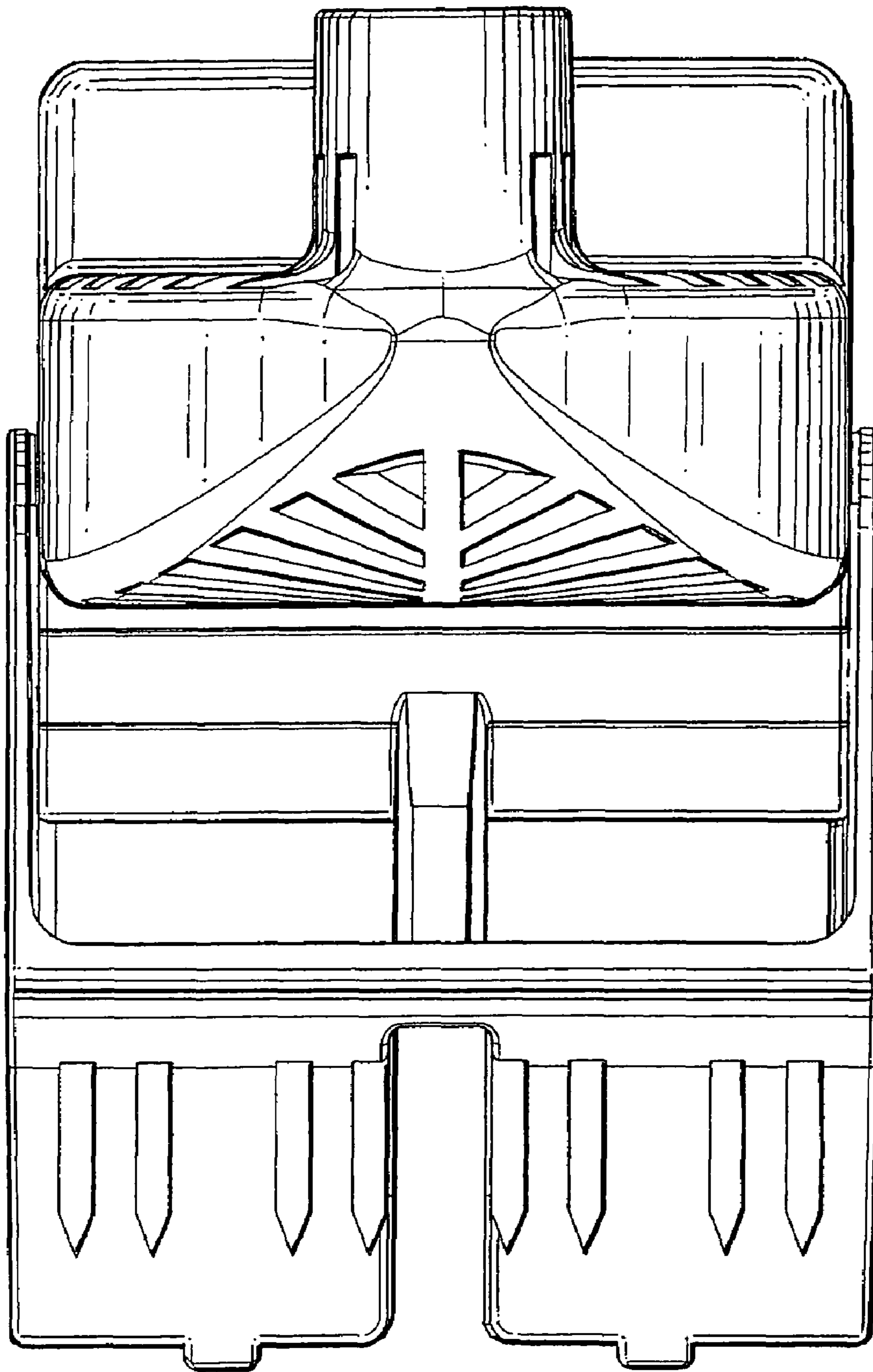
FIG. 2



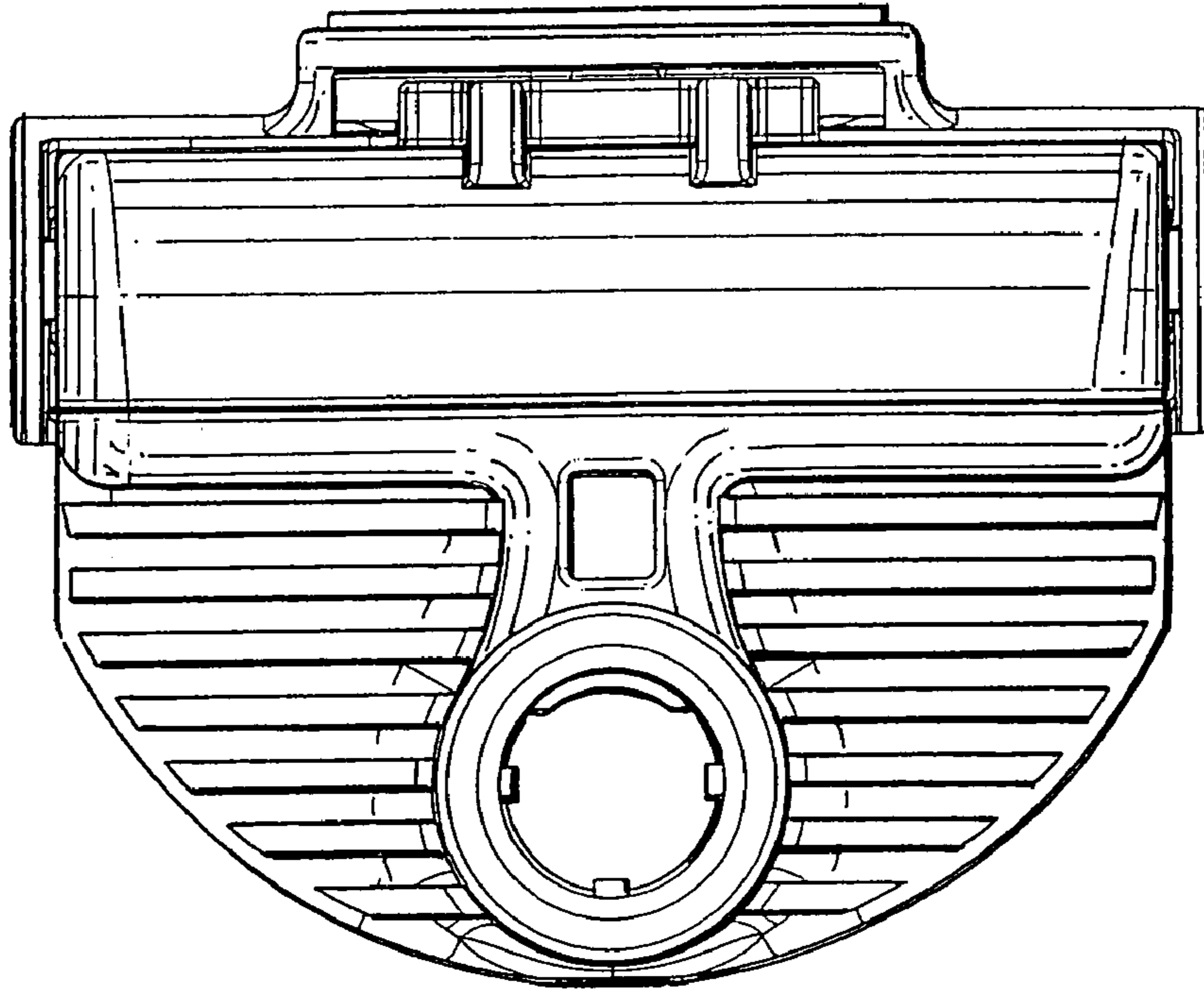
# FIG. 3



# FIG. 4



# FIG. 5



# FIG. 6

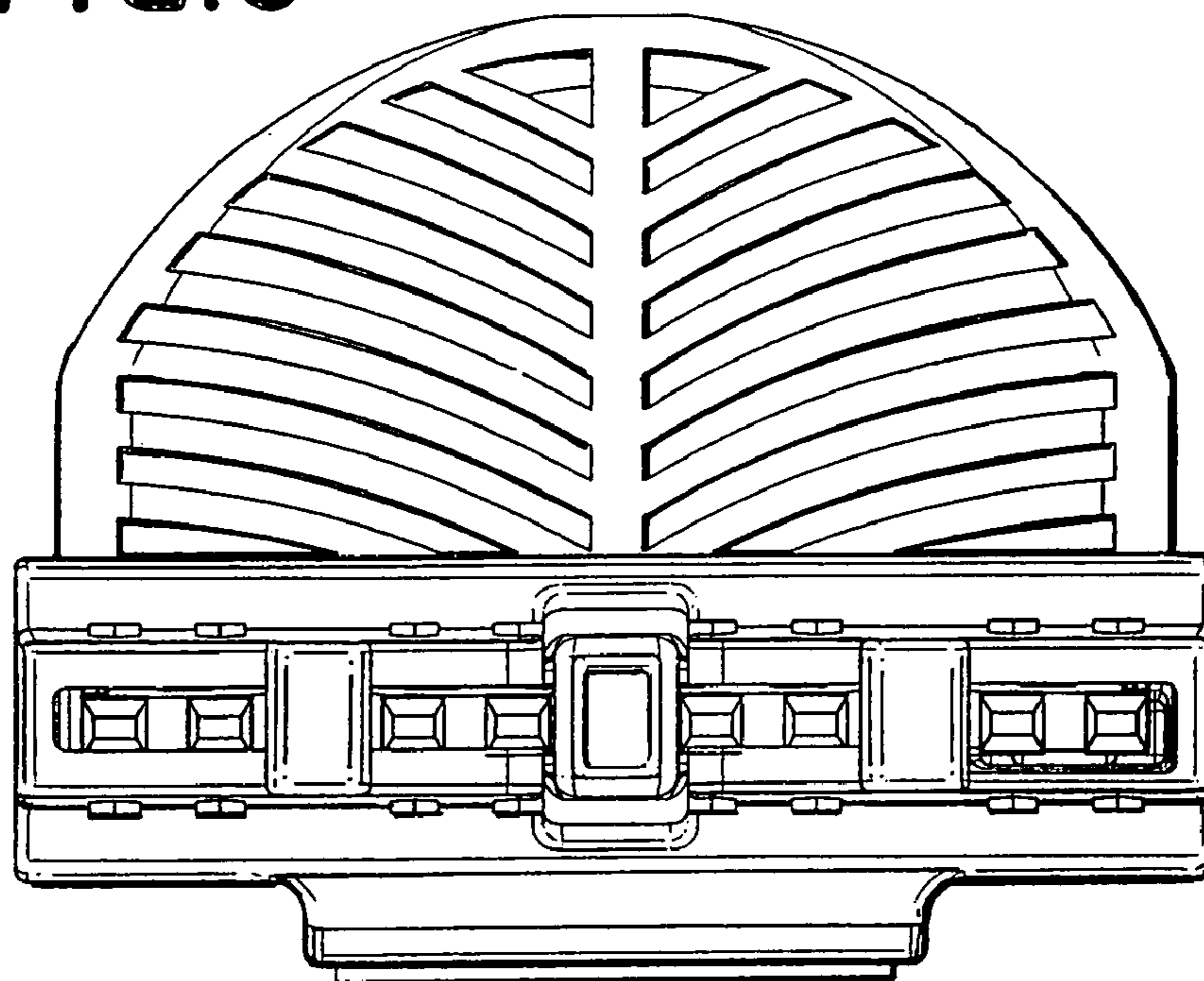


FIG.7

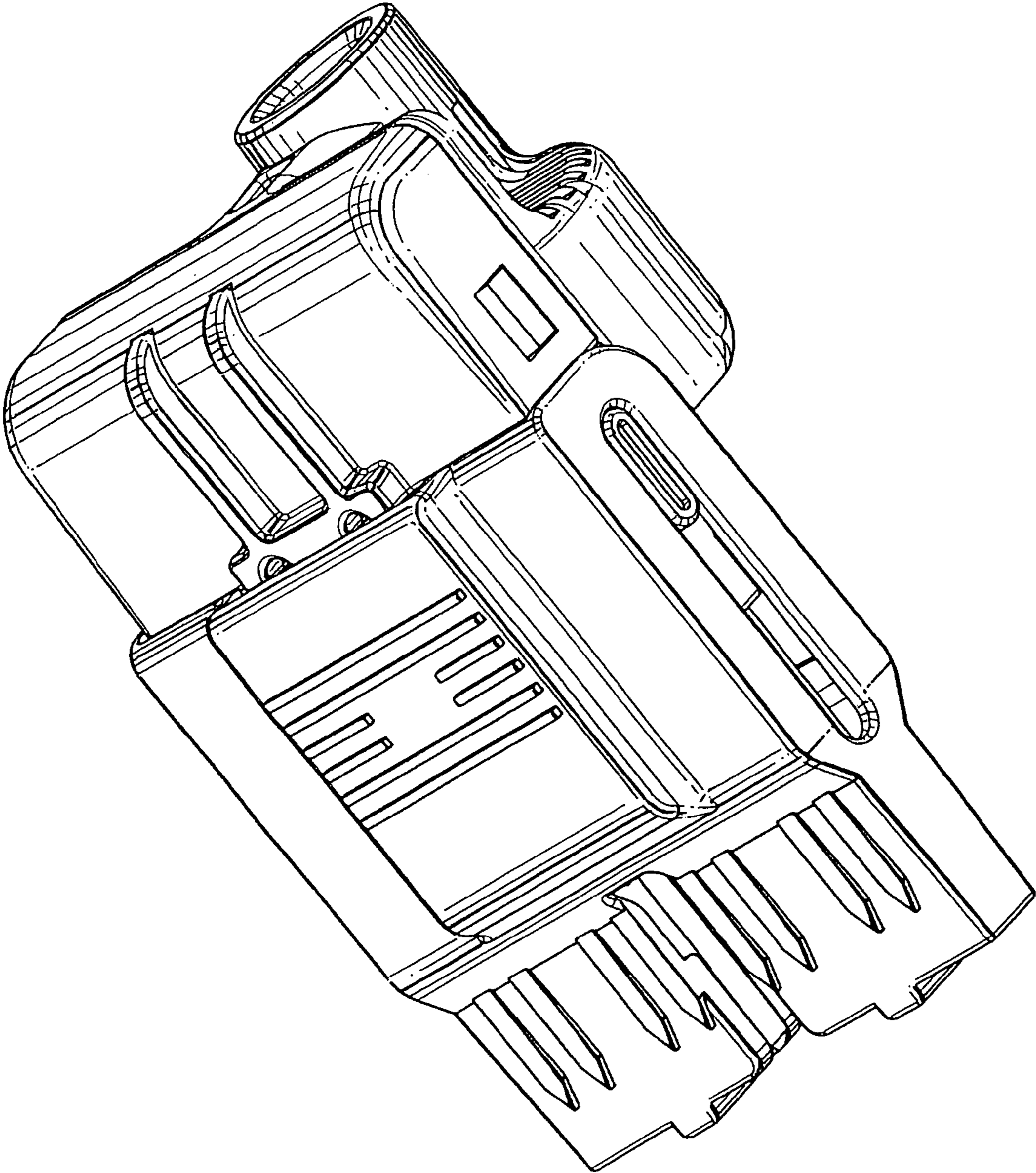
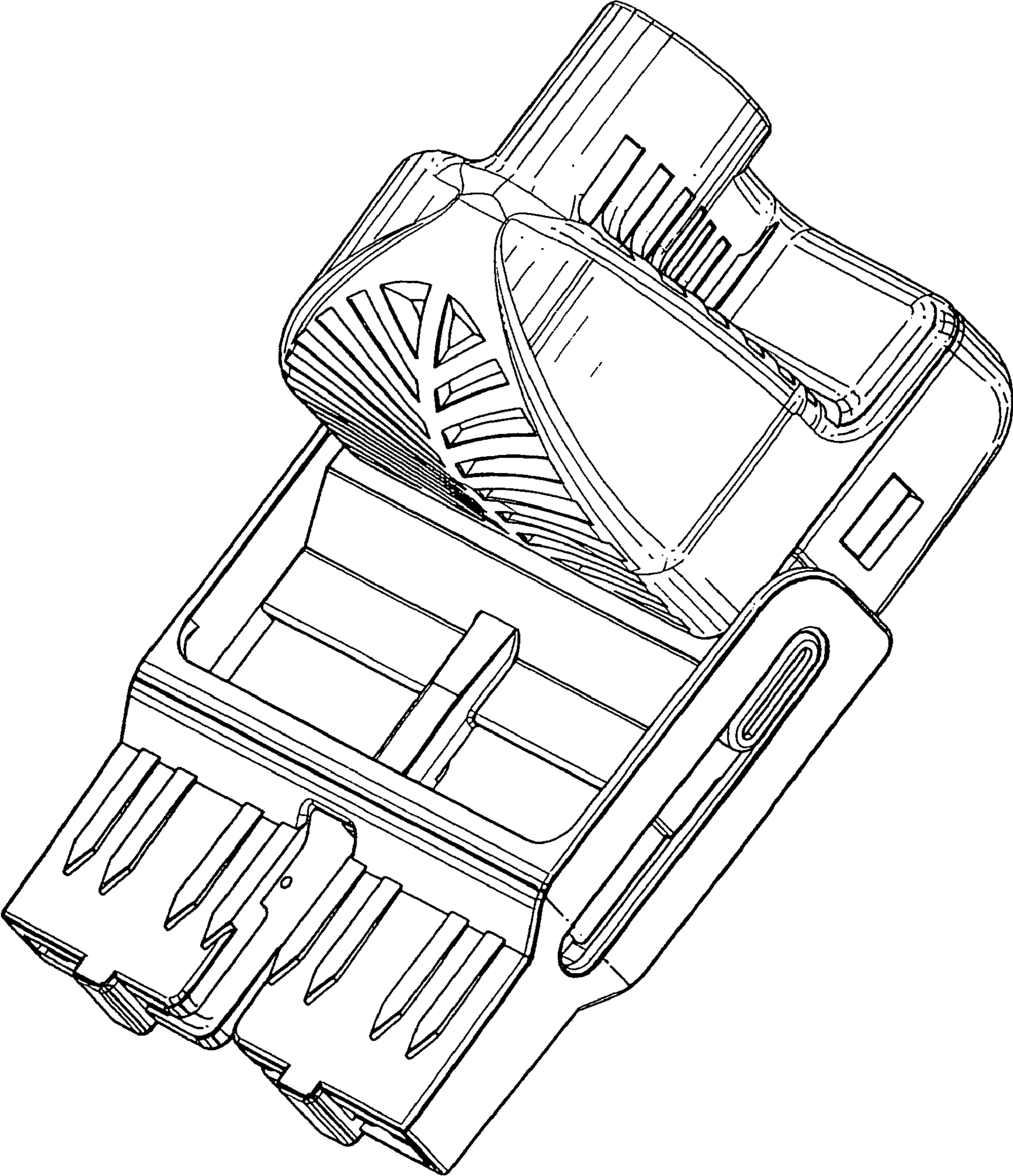


FIG. 8





UNITED STATES PATENT AND TRADEMARK OFFICE  
**CERTIFICATE OF CORRECTION**

PATENT NO. : Des. 601,511 S  
APPLICATION NO. : 29/291548  
DATED : October 6, 2009  
INVENTOR(S) : Lee

Page 1 of 1

It is certified that error appears in the above-identified patent and that said Letters Patent is hereby corrected as shown below:

Title page, Item (30) Foreign Application Priority Data: "17231/2007" should read  
--17232/2007--

Signed and Sealed this

Eleventh Day of May, 2010

A handwritten signature in black ink that reads "David J. Kappos". The signature is written in a cursive style with a large initial 'D' and a stylized 'K'.

David J. Kappos  
*Director of the United States Patent and Trademark Office*