



US00D601509S

(12) **United States Design Patent**
Ishizuka

(10) **Patent No.:** **US D601,509 S**

(45) **Date of Patent:** **** Oct. 6, 2009**

(54) **ELECTRIC CONNECTOR**

(75) Inventor: **Shinya Ishizuka**, Utsunomiya (JP)

(73) Assignee: **DDK Ltd.**, Tokyo (JP)

(**) Term: **14 Years**

(21) Appl. No.: **29/318,885**

(22) Filed: **May 29, 2008**

(30) **Foreign Application Priority Data**

Dec. 5, 2007 (JP) 2007-033332

(51) **LOC (9) Cl.** **13-03**

(52) **U.S. Cl.** **D13/154**

(58) **Field of Classification Search** D13/133,
D13/146, 147, 154, 184; 439/278, 607-610,
439/668-669, 894, 939

See application file for complete search history.

(56) **References Cited**

U.S. PATENT DOCUMENTS

D535,622 S * 1/2007 Zhu et al. D13/133
D553,083 S * 10/2007 Han et al. D13/133
D558,674 S * 1/2008 Lin et al. D13/133

D558,678 S * 1/2008 Han et al. D13/154
2008/0050977 A1 * 2/2008 Lee et al. 439/668

* cited by examiner

Primary Examiner—Daniel D Bui

(74) *Attorney, Agent, or Firm*—Sughrue Mion, PLLC

(57) **CLAIM**

The ornamental design for an electric connector, as shown and described.

DESCRIPTION

FIG. 1 is a perspective view of an electrical connector showing my new design;

FIG. 2 is a front elevation view thereof;

FIG. 3 is a bottom plan view thereof;

FIG. 4 is an enlarged partial view of FIG. 1; and

FIG. 5 is another perspective view thereof; and,

FIG. 6 is a right side elevation view thereof.

The even-broken lines represent unclaimed subject matter and form no part of the claimed design. The dash-dot lines represent the boundary of the claimed design.

1 Claim, 4 Drawing Sheets

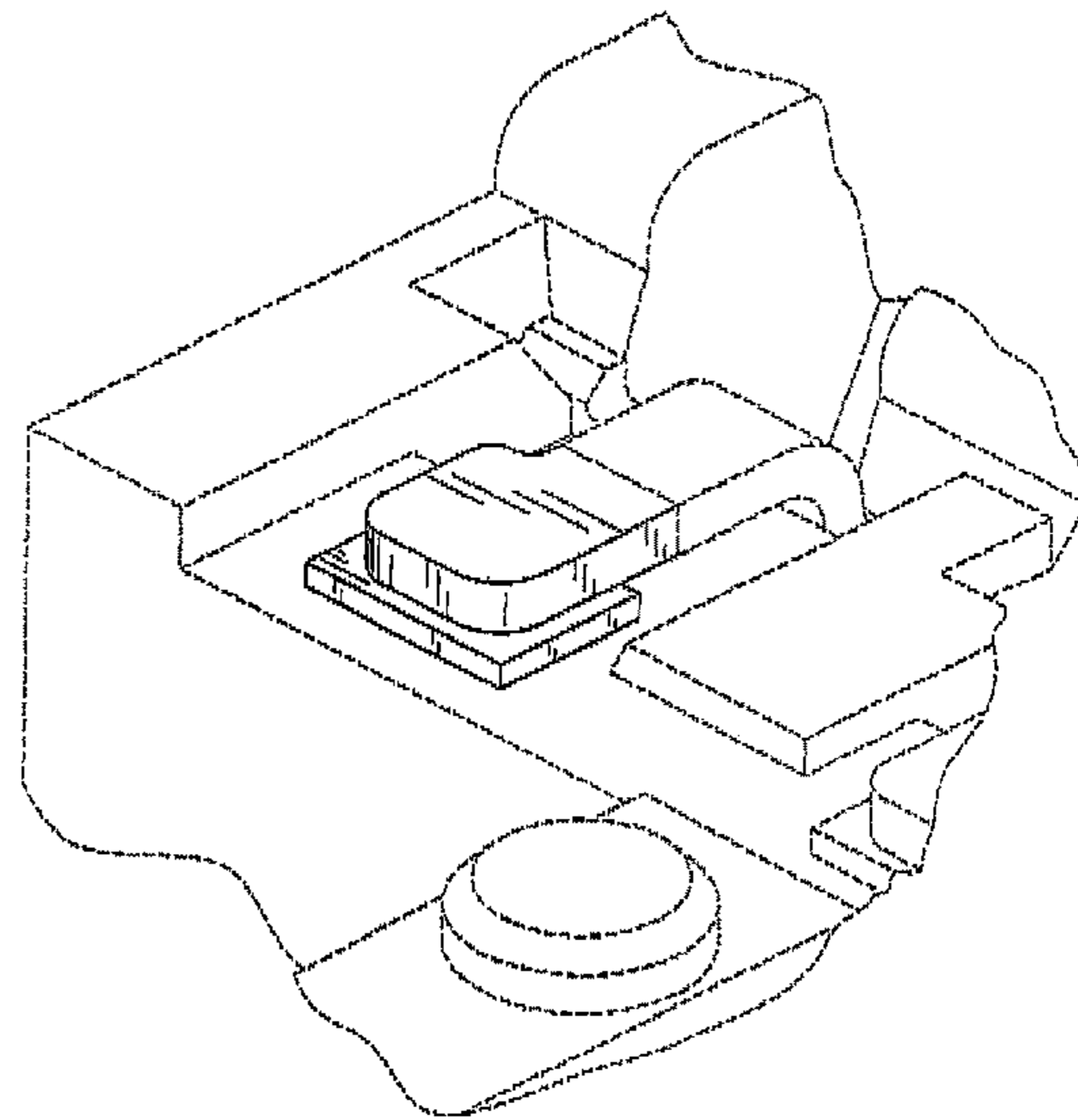
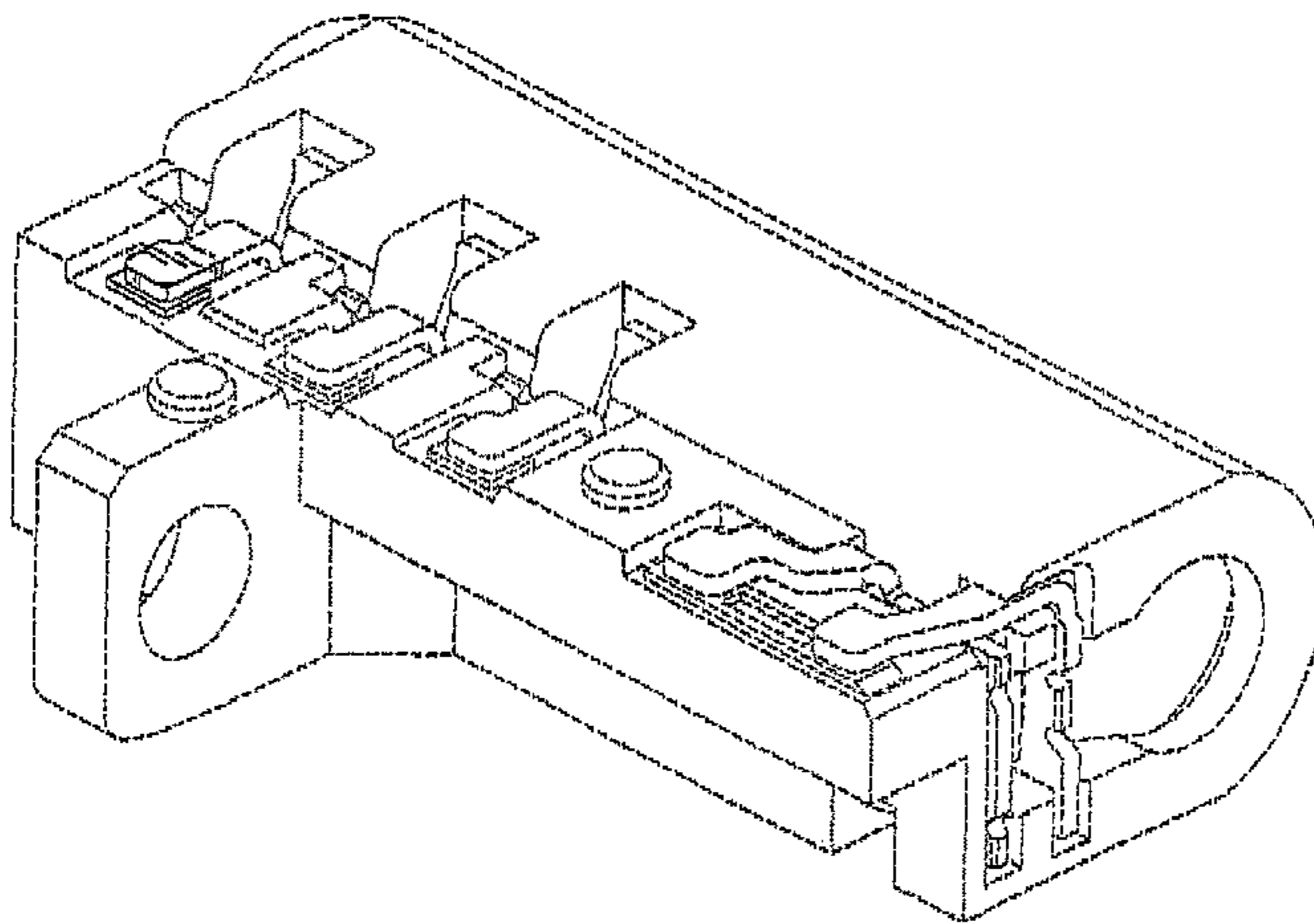


Fig.1

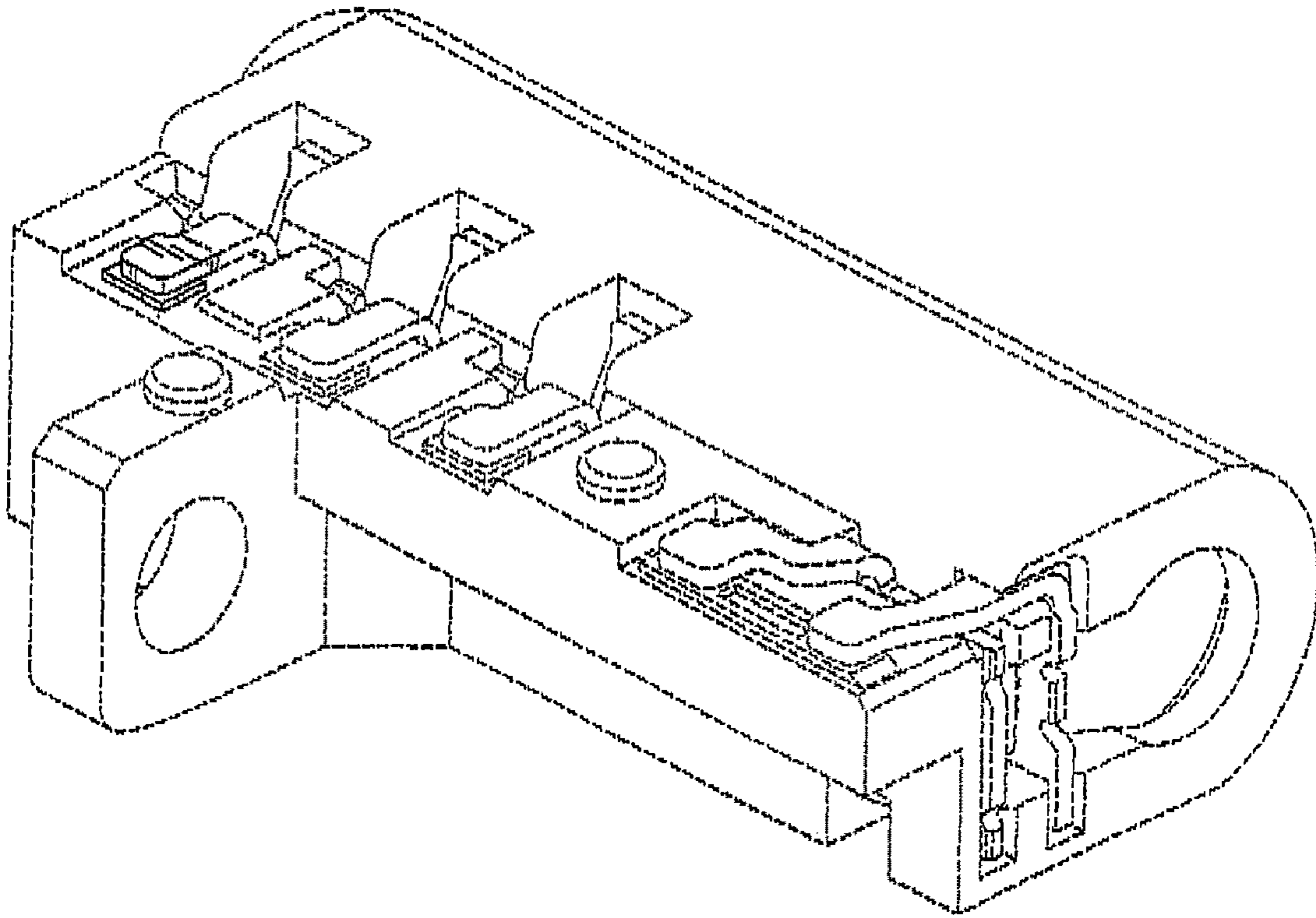


Fig.2

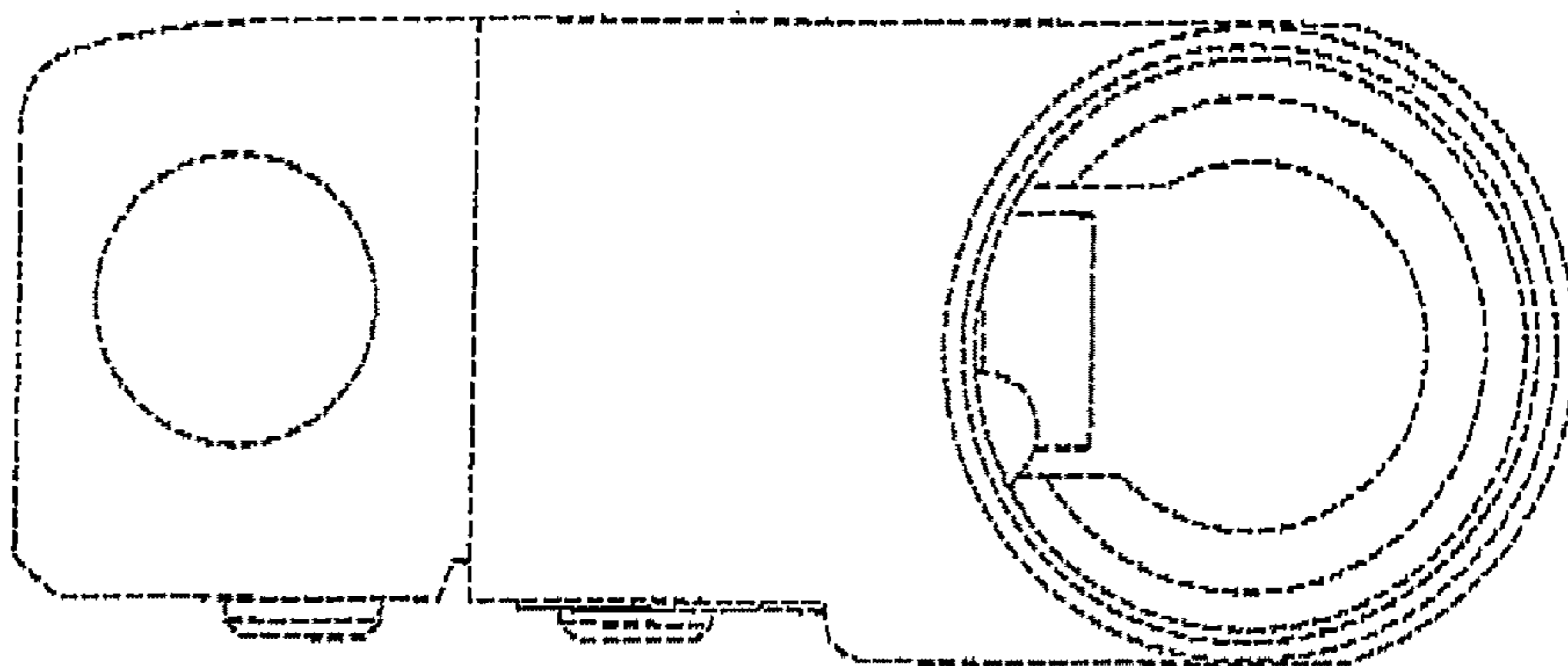


Fig.3

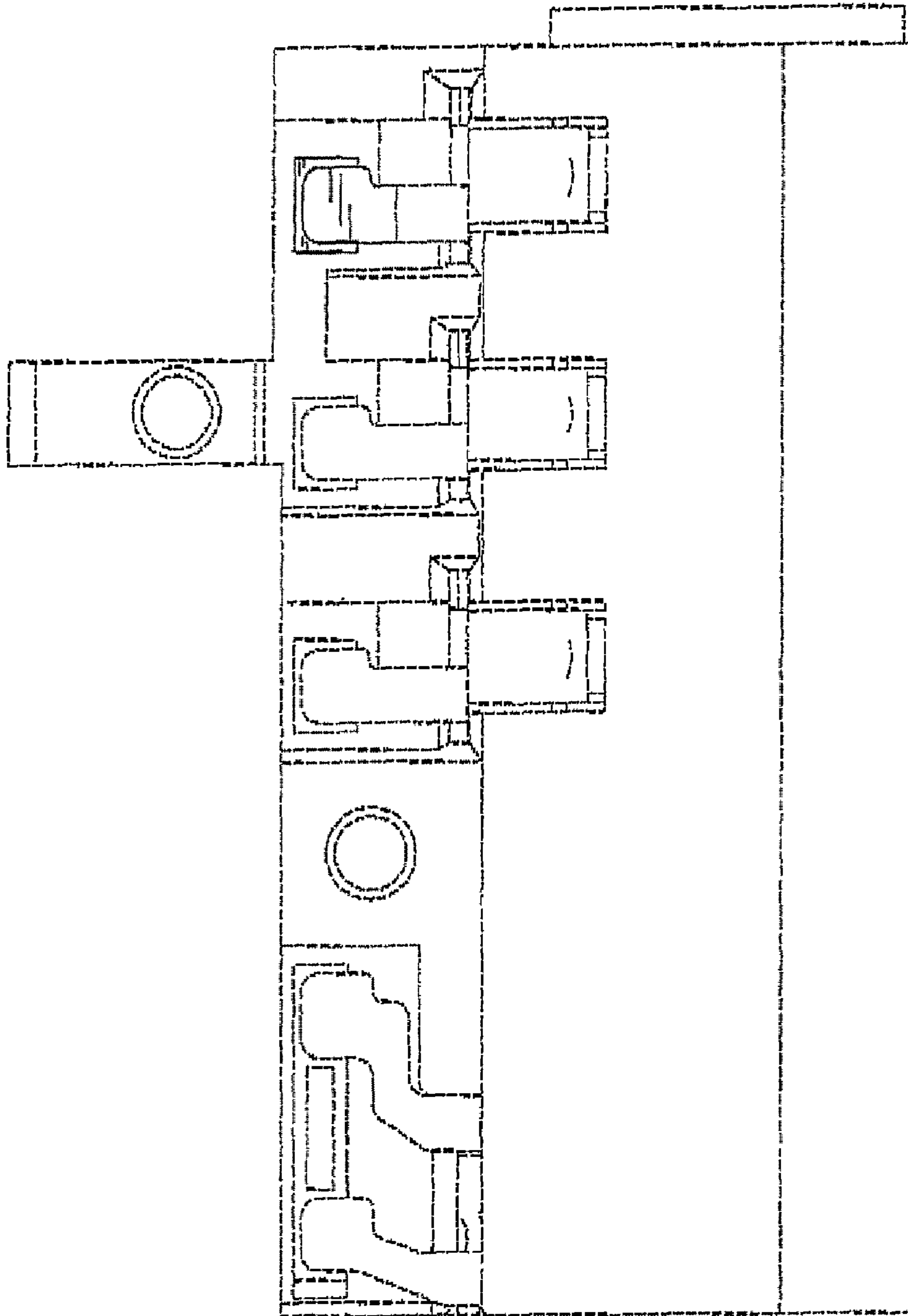


Fig.4

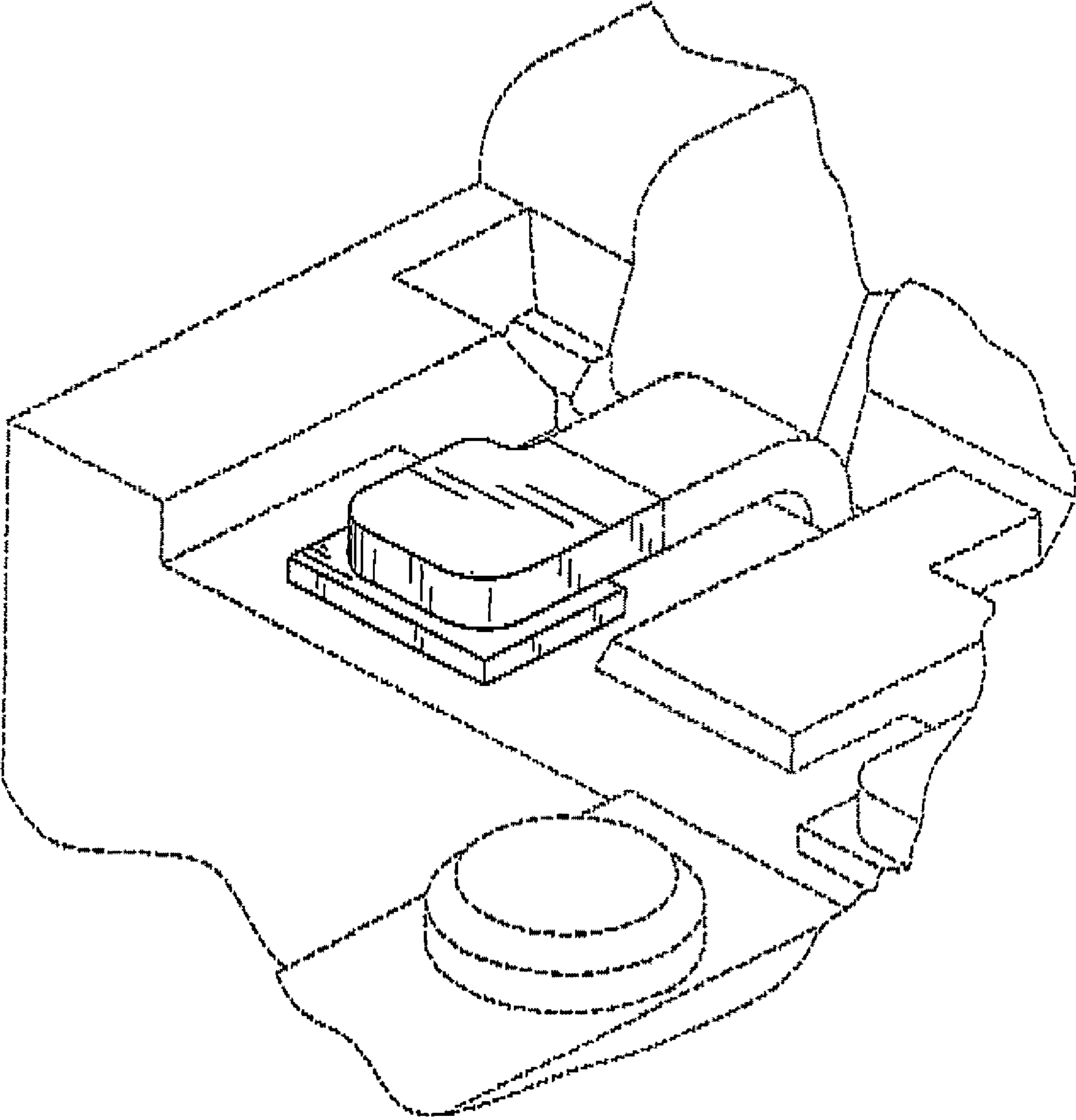


Fig.5

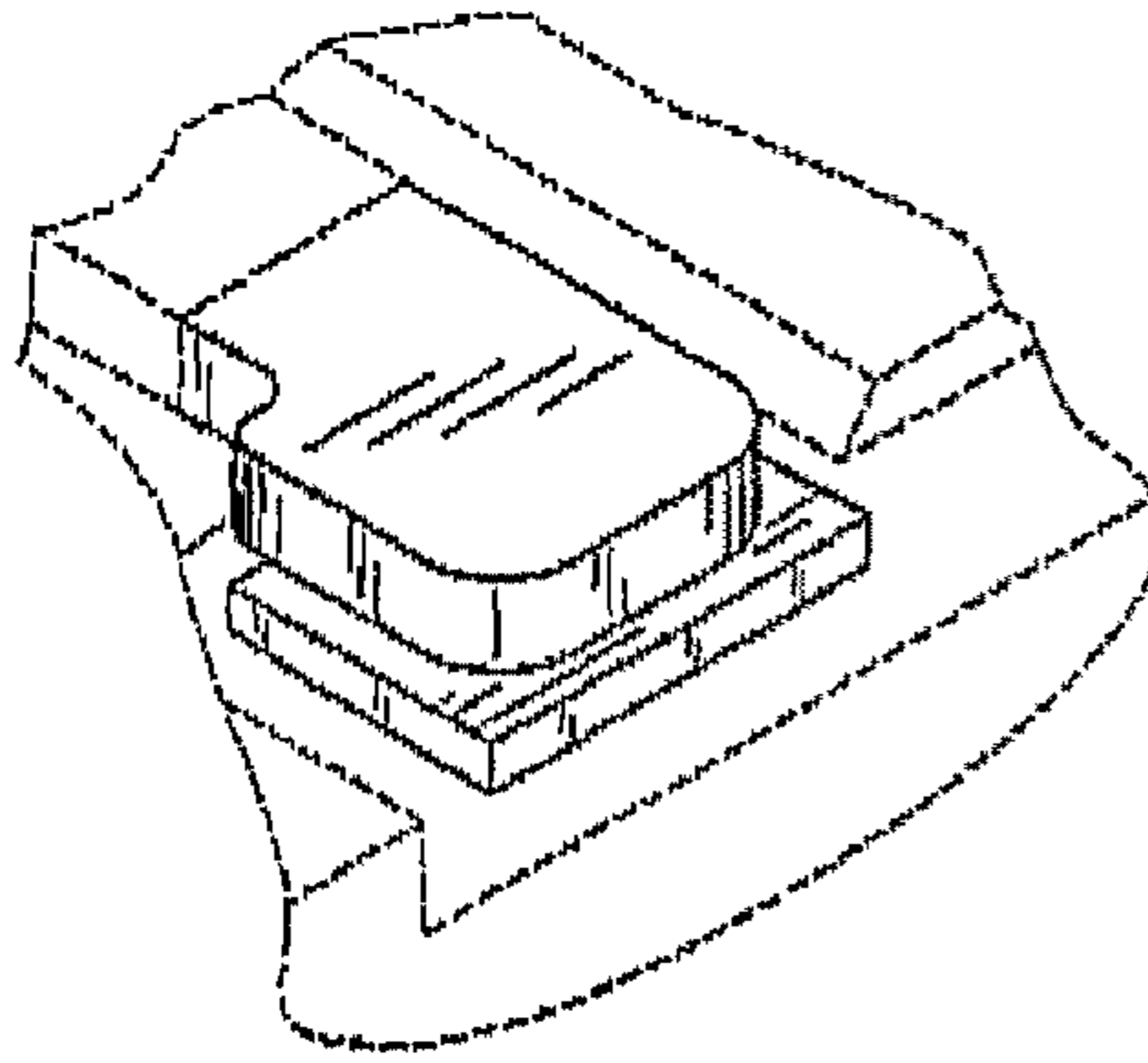


Fig.6

