



US00D601507S

(12) **United States Design Patent**
Rodrigues

(10) **Patent No.:** **US D601,507 S**

(45) **Date of Patent:** **** Oct. 6, 2009**

(54) **COAXIAL CONNECTOR WITH SLOTTED
HEXAGONAL NUT**

(75) **Inventor:** **Julio F. Rodrigues**, Collierille, TN (US)

(73) **Assignee:** **Thomas & Betts International, Inc.**,
Wilmington, DE (US)

(**) **Term:** **14 Years**

(21) **Appl. No.:** **29/314,025**

(22) **Filed:** **Feb. 27, 2009**

(51) **LOC (9) Cl.** **13-03**

(52) **U.S. Cl.** **D13/151; D13/154; D13/133**

(58) **Field of Classification Search** D13/133,
D13/149, 151, 153, 154, 156, 184, 199; 439/133,
439/321, 322, 578, 583, 584, 585, 668, 79,
439/248, 258, 274, 350, 352, 353, 358, 359,
439/362, 378, 445, 447, 656, 660, 676, 677,
439/678, 679, 680, 681, 682, 686; 411/7,
411/11; 426/507; 28/828; 307/10.1; 333/81 A;
D26/46, 49; D8/303

See application file for complete search history.

(56) **References Cited**

U.S. PATENT DOCUMENTS

| | | | | |
|--------------|---------|-----------------|-------|---------|
| 3,104,145 A | 9/1963 | Somerset | | 339/103 |
| D223,991 S | 6/1972 | Smith et al. | | D13/3 |
| 3,710,005 A | 1/1973 | French | | |
| 4,834,675 A | 5/1989 | Samchisen | | |
| 4,990,106 A | 2/1991 | Szegda | | |
| 5,002,503 A | 3/1991 | Campbell et al. | | |
| 5,501,616 A | 3/1996 | Holliday | | |
| D371,342 S | 7/1996 | Lundback | | 213/151 |
| 6,153,830 A | 11/2000 | Montena | | |
| D436,076 S | 1/2001 | Montena | | D13/133 |
| D437,826 S | 2/2001 | Montena | | D13/133 |
| D440,939 S * | 4/2001 | Montena | | D13/133 |
| D458,904 S | 6/2002 | Montena | | D13/154 |
| D460,739 S | 7/2002 | Fox | | D13/154 |
| D460,740 S | 7/2002 | Montena | | D13/154 |

| | | | | |
|----------------|---------|------------------|-------|---------|
| D460,946 S | 7/2002 | Montena | | D13/154 |
| D460,947 S | 7/2002 | Montena | | D13/154 |
| D460,948 S | 7/2002 | Montena | | D13/154 |
| D461,166 S | 8/2002 | Montena | | D13/151 |
| D461,167 S | 8/2002 | Montena | | D13/154 |
| D461,778 S | 8/2002 | Fox | | D13/151 |
| D462,058 S | 8/2002 | Montena | | D13/151 |
| D462,060 S | 8/2002 | Fox | | D13/154 |
| D475,975 S | 6/2003 | Fox | | D13/151 |
| D476,957 S * | 7/2003 | Chudoba et al. | | D13/151 |
| D505,391 S | 5/2005 | Rodrigues et al. | | D13/151 |
| 6,957,972 B2 * | 10/2005 | Starke et al. | | 439/320 |

(Continued)

OTHER PUBLICATIONS

Evolution Products—www.evolutionbb.com/
ShowProductsConnectors—Mar. 20, 2008 LRC - Snap-N-Seal—“F”
Series Male, Indoor Connectors—2001.

Primary Examiner—Daniel D Bui
Assistant Examiner—Thomas J Johannes
(74) *Attorney, Agent, or Firm*—G. Andrew Barger

(57) **CLAIM**

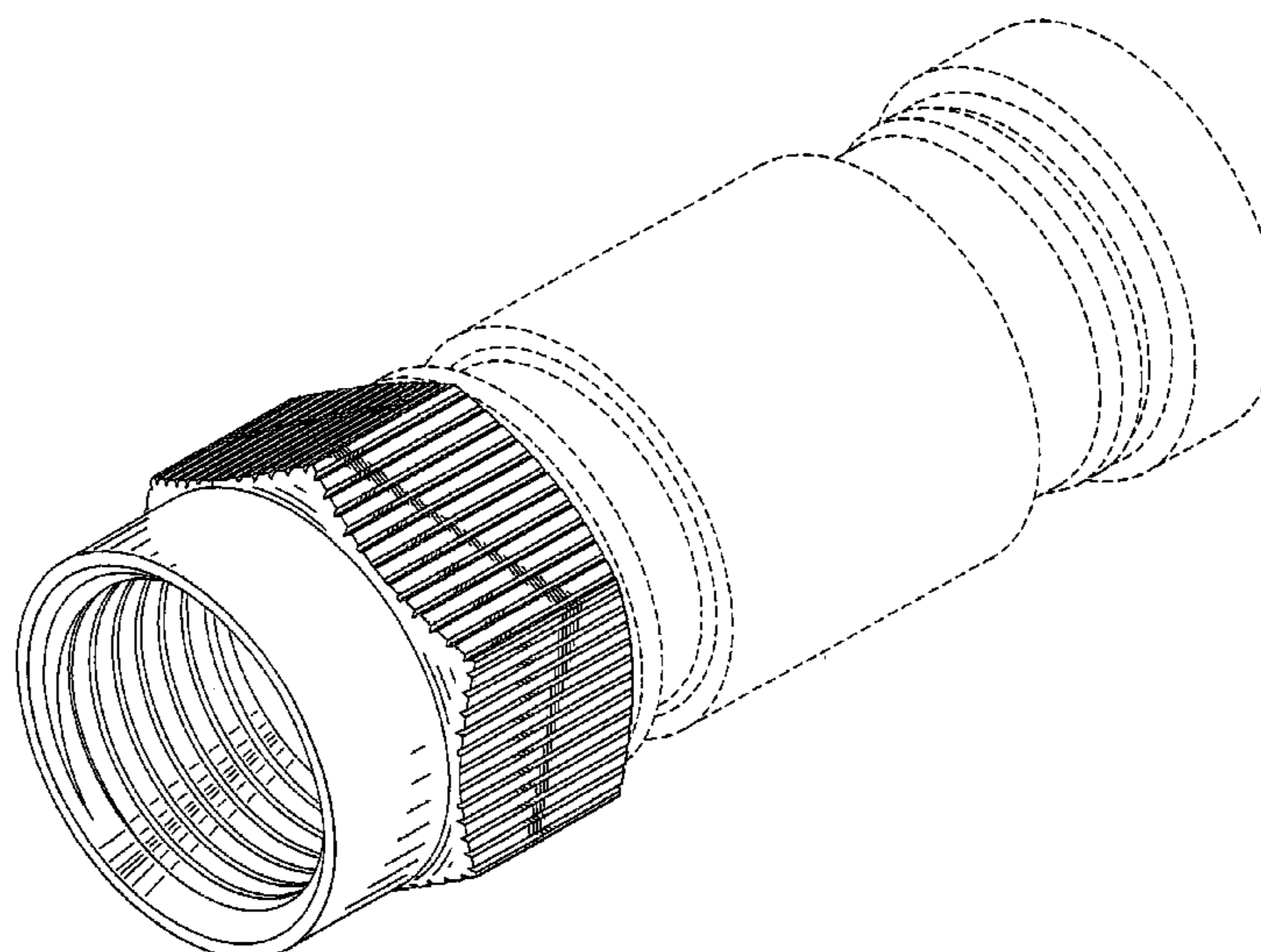
The ornamental design for a coaxial connector with slotted hexagonal nut, as shown and described.

DESCRIPTION

FIG. 1 is a perspective view of the coaxial connector with slotted hexagonal nut of the present invention;
FIG. 2 is a top plan view thereof;
FIG. 3 is a side elevational view thereof;
FIG. 4 is a bottom plan view thereof;
FIG. 5 is a side elevational view thereof; and,
FIG. 6 is a perspective view thereto.

The broken line portion of the figure drawings is included to show unclaimed subject matter only and forms no part of the claimed design.

1 Claim, 5 Drawing Sheets



US D601,507 S

Page 2

U.S. PATENT DOCUMENTS

| | | | | | | | |
|----------------|--------|-----------------------|---------|-------------------|--------|-----------------------|---------|
| D517,496 S * | 3/2006 | Montena | D13/151 | D561,691 S * | 2/2008 | Holliday | D13/133 |
| D519,076 S | 4/2006 | Fox | D13/133 | D569,800 S * | 5/2008 | Holliday | D13/133 |
| 7,063,565 B2 * | 6/2006 | Ward | 439/578 | D594,421 S * | 6/2009 | Lee | D13/156 |
| D535,259 S * | 1/2007 | Rodrigues et al. | D13/151 | 2005/0136735 A1 * | 6/2005 | Rodrigues et al. | 439/578 |
| D551,173 S | 9/2007 | Rodrigues et al. | D13/154 | 2006/0205272 A1 * | 9/2006 | Rodrigues | 439/585 |

* cited by examiner

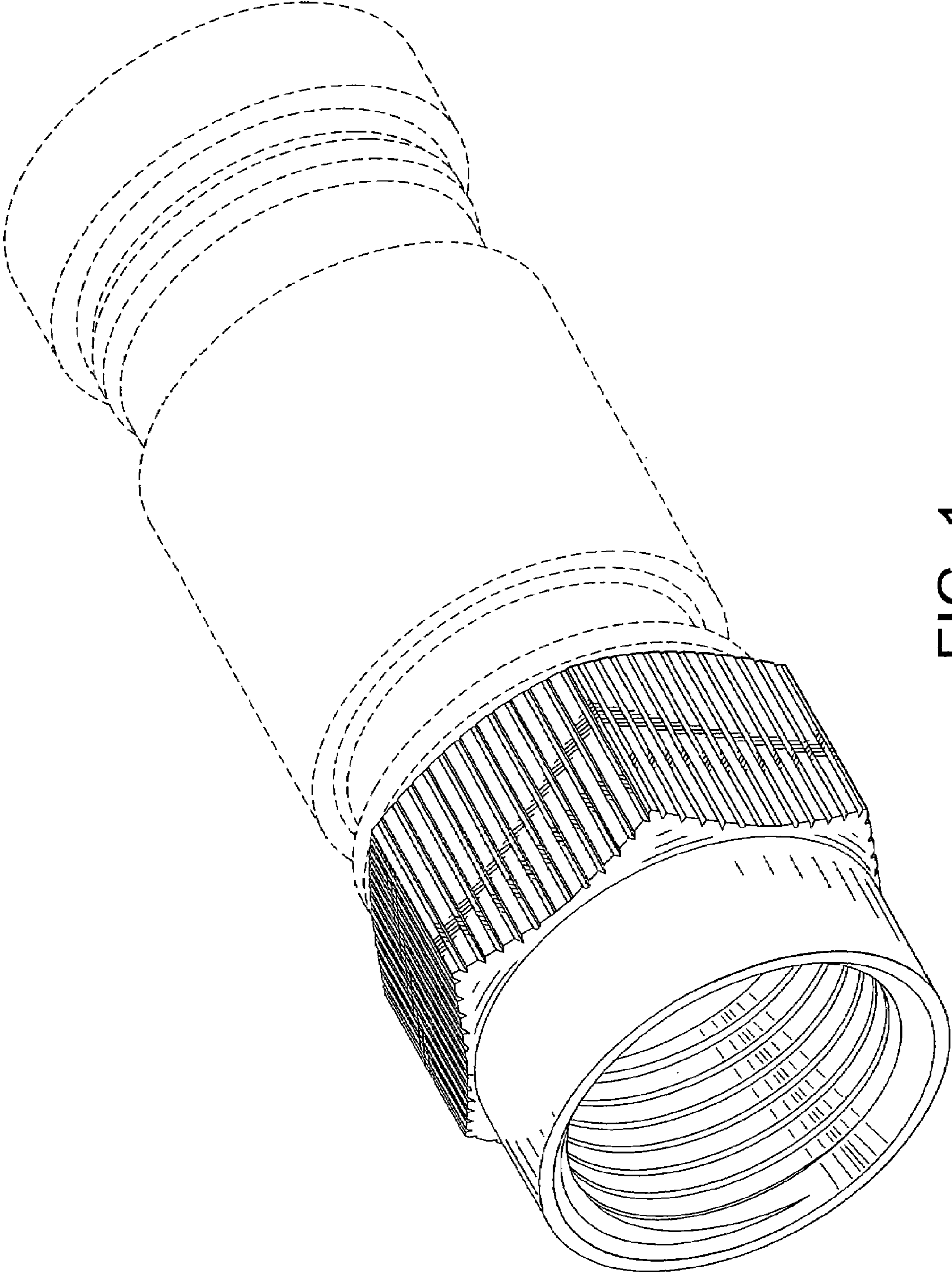


FIG. 1

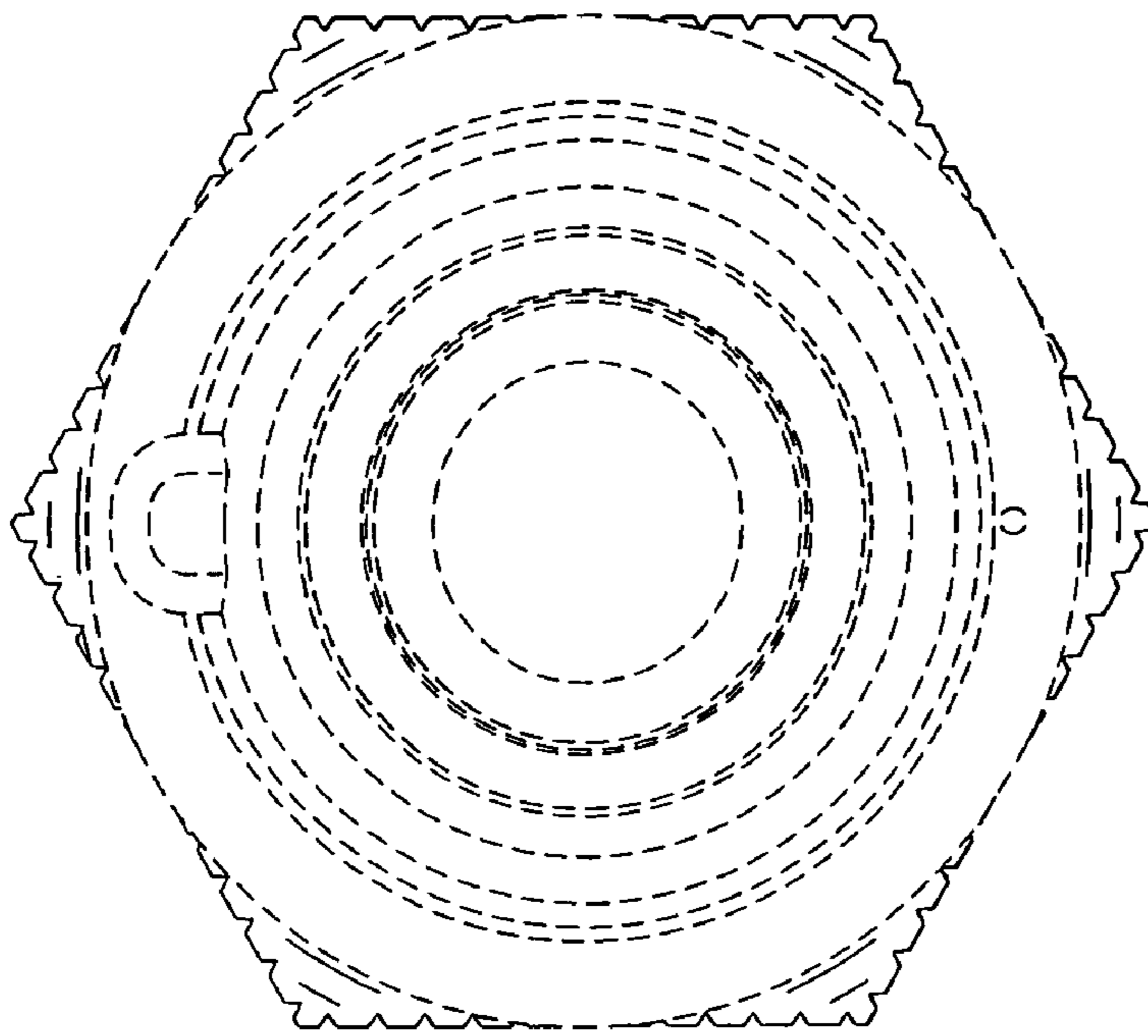


FIG. 4

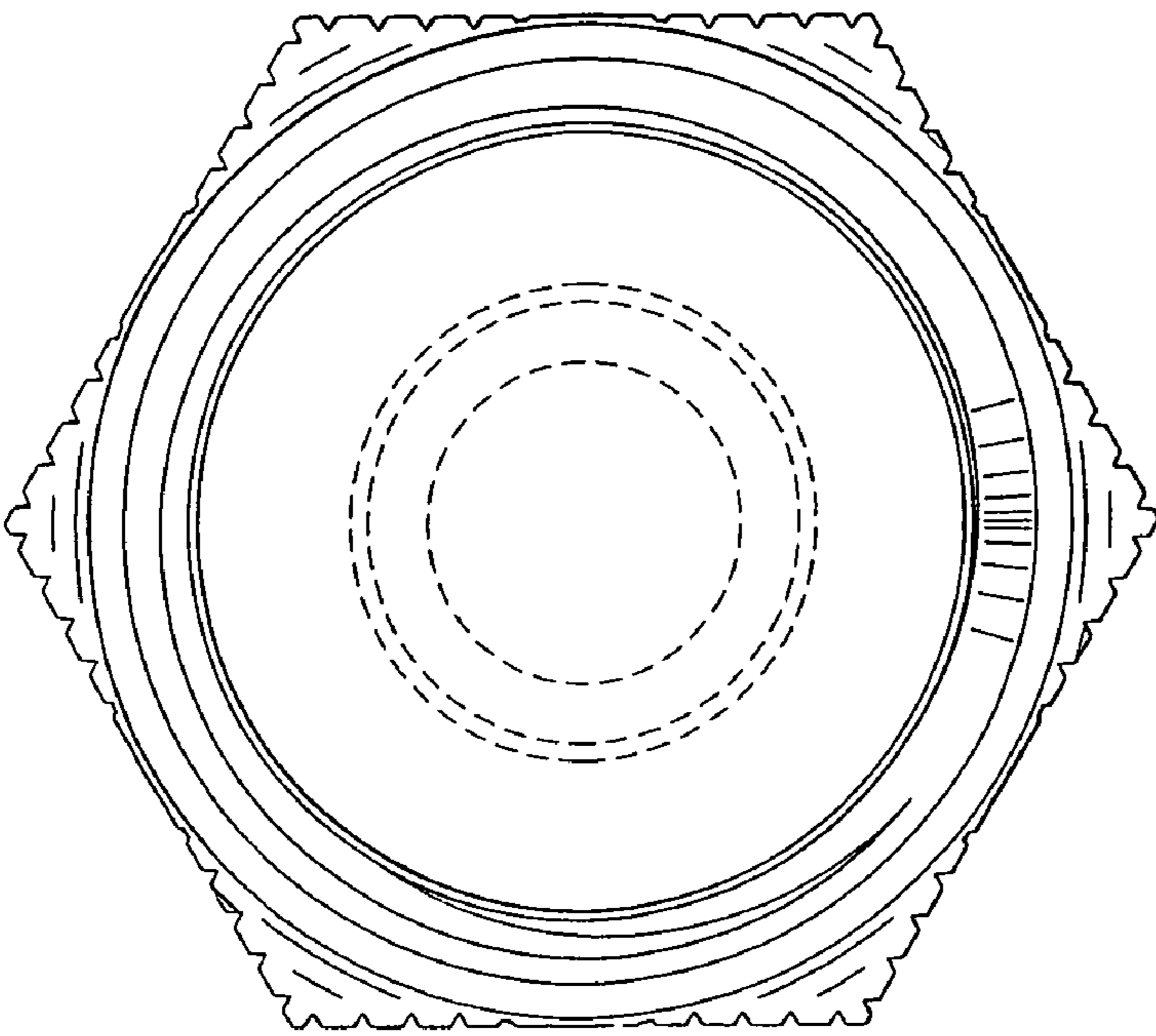


FIG. 2

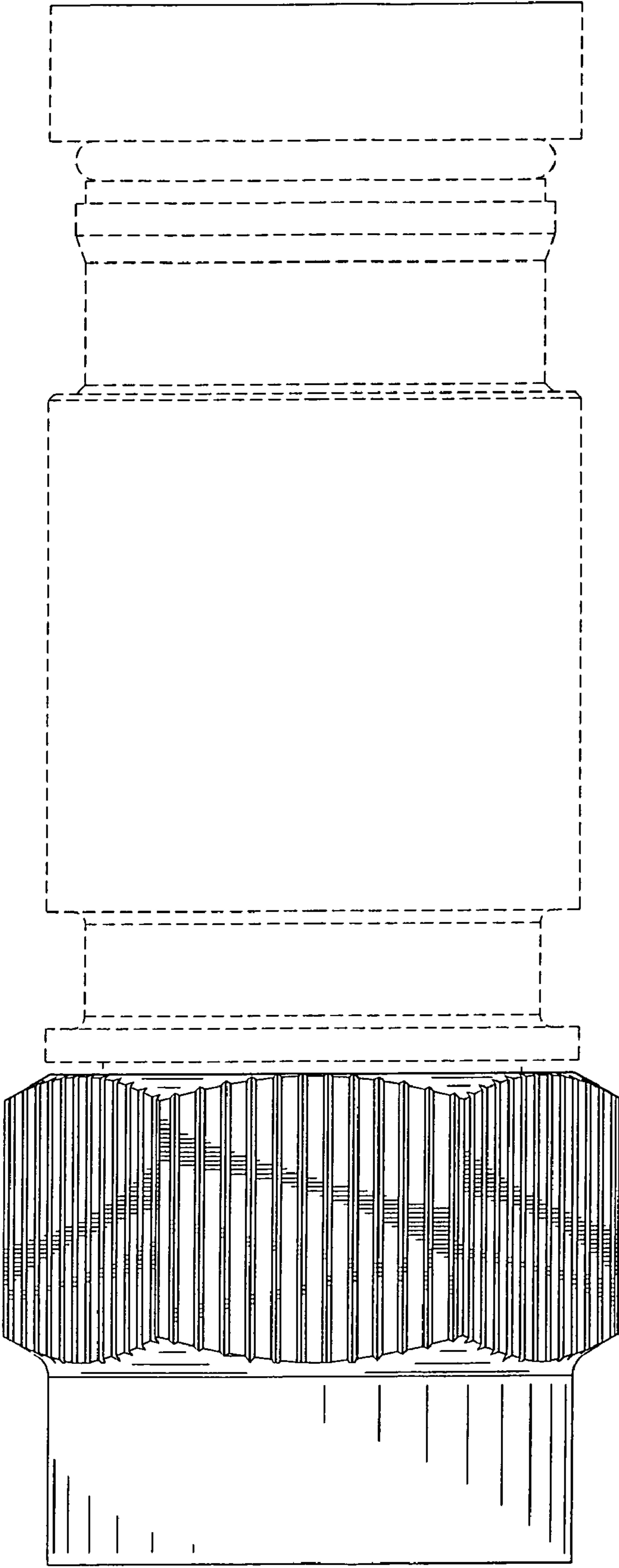


FIG. 3

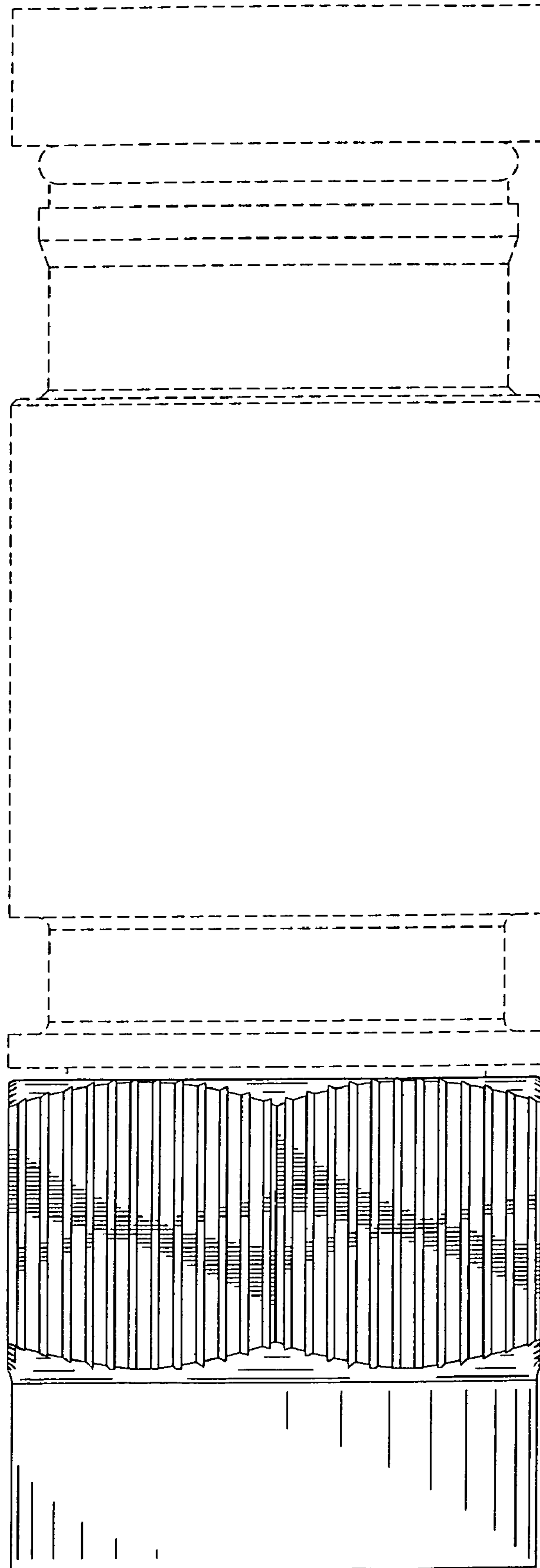


FIG. 5

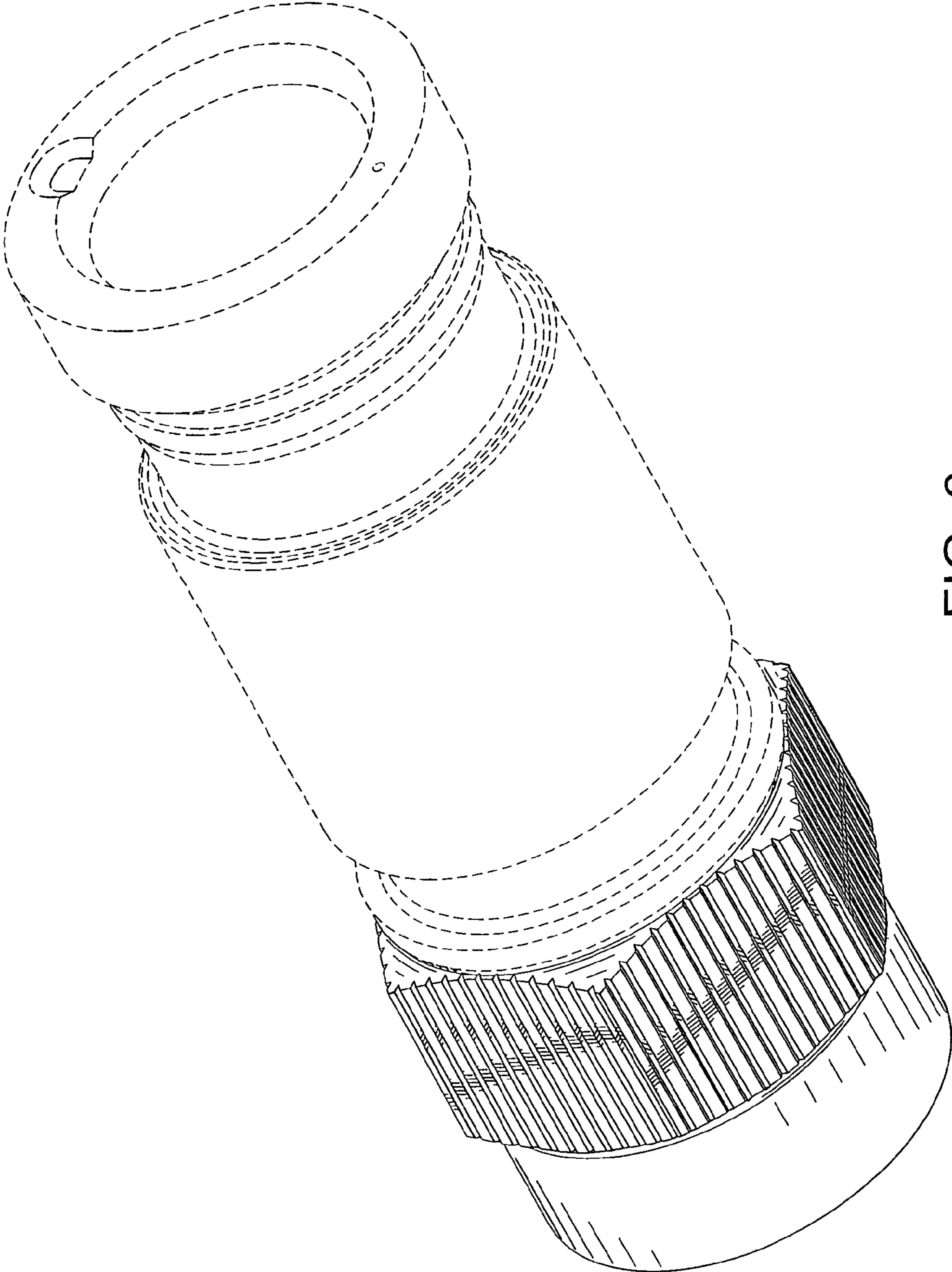


FIG. 6