



US00D601505S

(12) **United States Design Patent**
Fukazawa et al.

(10) **Patent No.:** **US D601,505 S**

(45) **Date of Patent:** **** Oct. 6, 2009**

(54) **ELECTRIC CONNECTOR**

(75) Inventors: **Takeki Fukazawa**, Tochigi (JP);
Takanobu Yoshimi, Tochigi (JP);
Masato Hida, Tochigi (JP)

(73) Assignee: **DDK Ltd.**, Tokyo (JP)

(**) Term: **14 Years**

(21) Appl. No.: **29/314,657**

(22) Filed: **Apr. 15, 2009**

(30) **Foreign Application Priority Data**

Oct. 17, 2008 (JP) D2008-026688

(51) **LOC (9) Cl.** **13-03**

(52) **U.S. Cl.** **D13/147**

(58) **Field of Classification Search** D13/133,
D13/146-147, 154, 184, 199; 439/78, 79,
439/108, 569, 607-610, 629-630, 660, 680
See application file for complete search history.

(56) **References Cited**

U.S. PATENT DOCUMENTS

D435,244 S * 12/2000 Lok D13/147
D490,377 S * 5/2004 Sato D13/147
D499,379 S * 12/2004 Zhu et al. D13/147
D592,146 S * 5/2009 Chiang D13/147

* cited by examiner

Primary Examiner—Daniel D Bui

(74) *Attorney, Agent, or Firm*—Sughrue Mion, PLLC

(57) **CLAIM**

The ornamental design for an electric connector, as shown and described.

DESCRIPTION

FIG. 1 is a first perspective view of an electric connector showing our new design;

FIG. 2 is a second perspective view thereof;

FIG. 3 is a front view thereof;

FIG. 4 is a rear view thereof;

FIG. 5 is a right side view thereof;

FIG. 6 is a left side view thereof;

FIG. 7 is a top plan view thereof; and,

FIG. 8 is a bottom plan view thereof.

The broken lines showing on the drawing disclosure are included to show unclaimed subject matter and form no part of the claimed design. The lines consisting of long lines and dots indicate conceptual border lines between the claimed portions and the disclaimed portions.

1 Claim, 6 Drawing Sheets

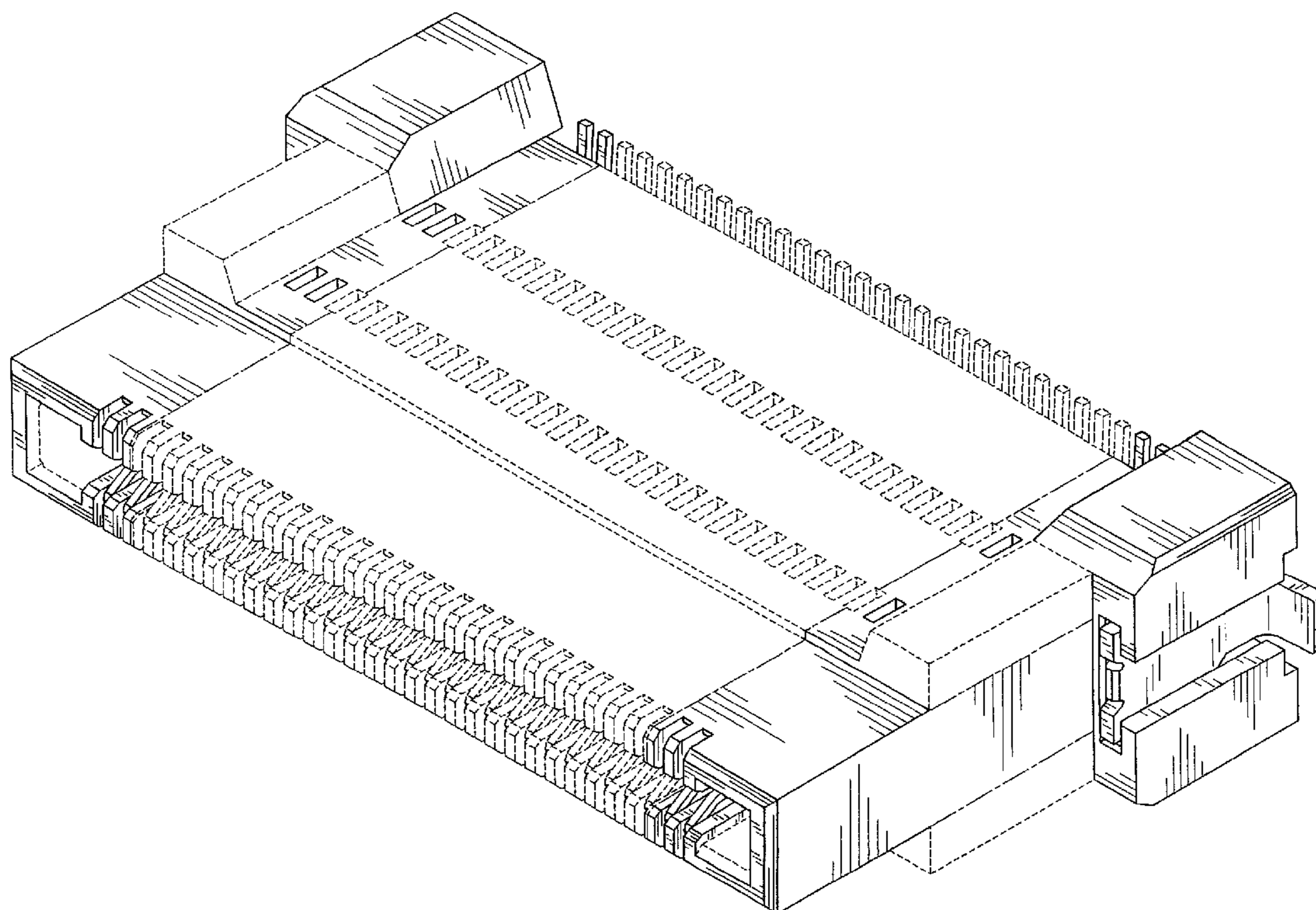


Fig. 1

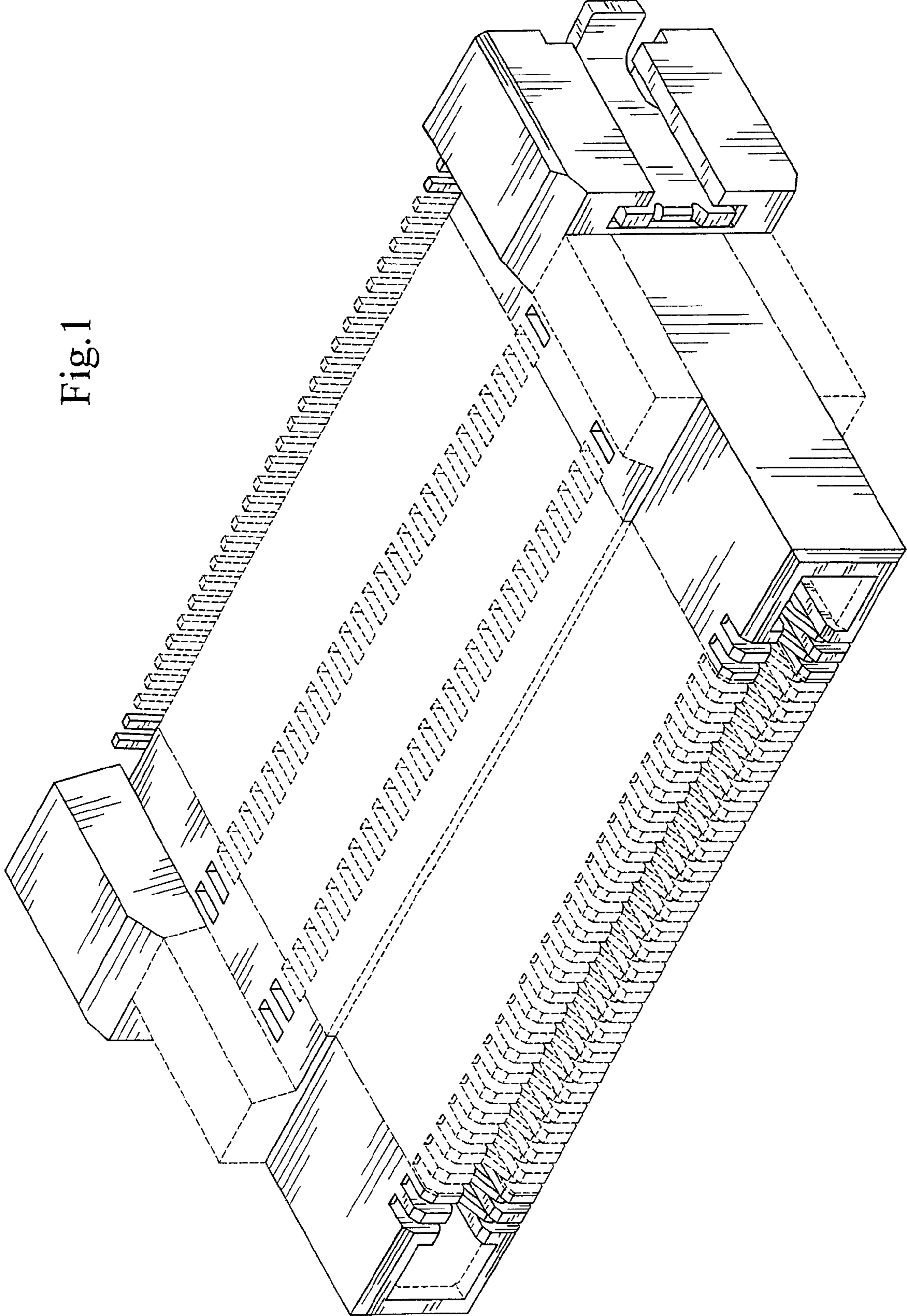


Fig.2

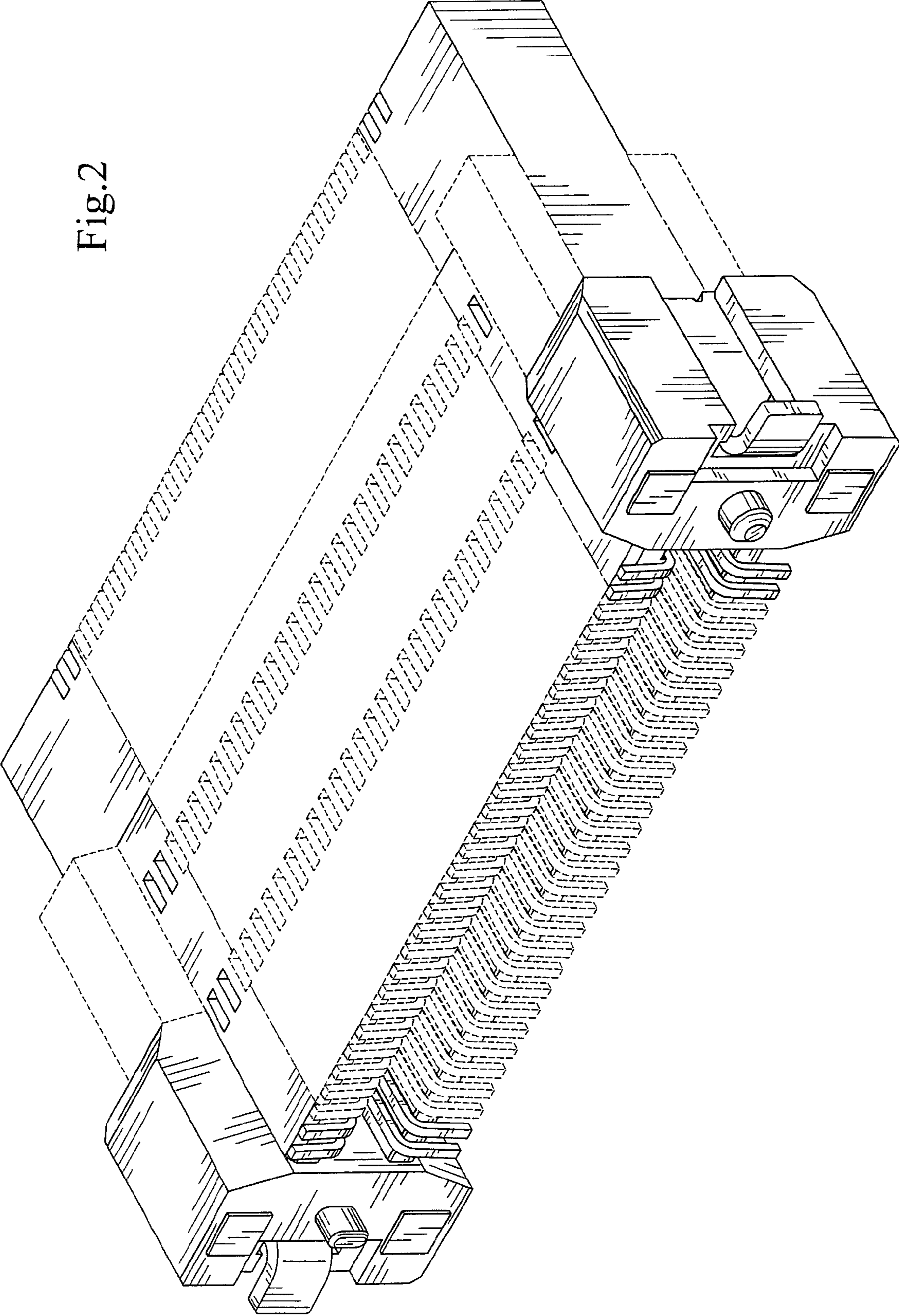


Fig.3

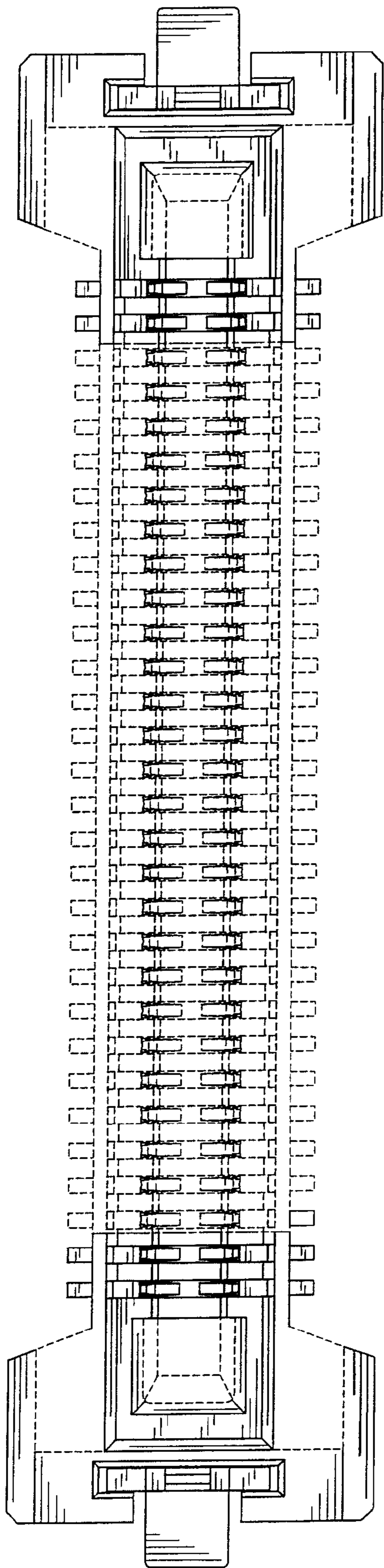


Fig.4

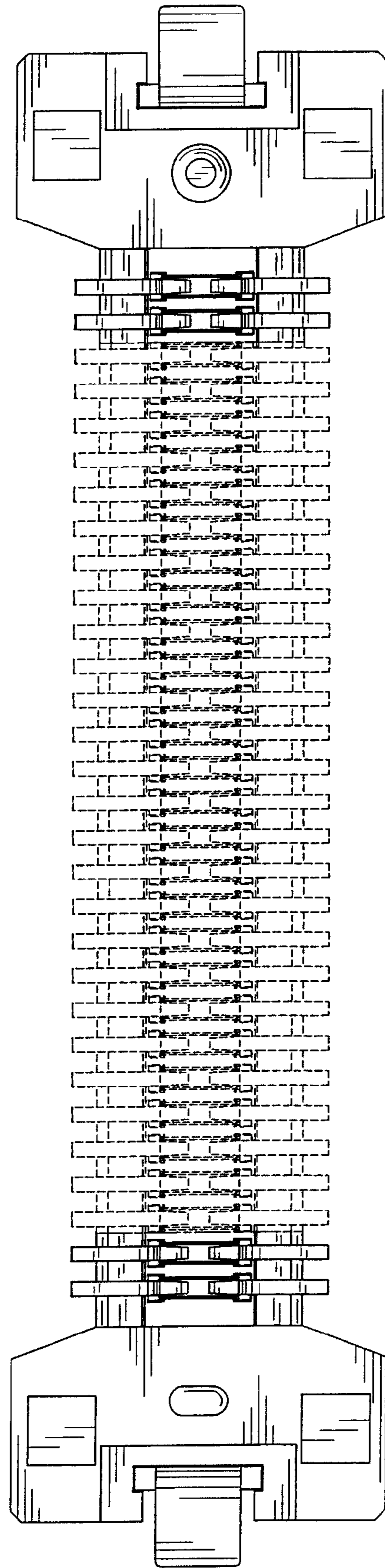


Fig.5

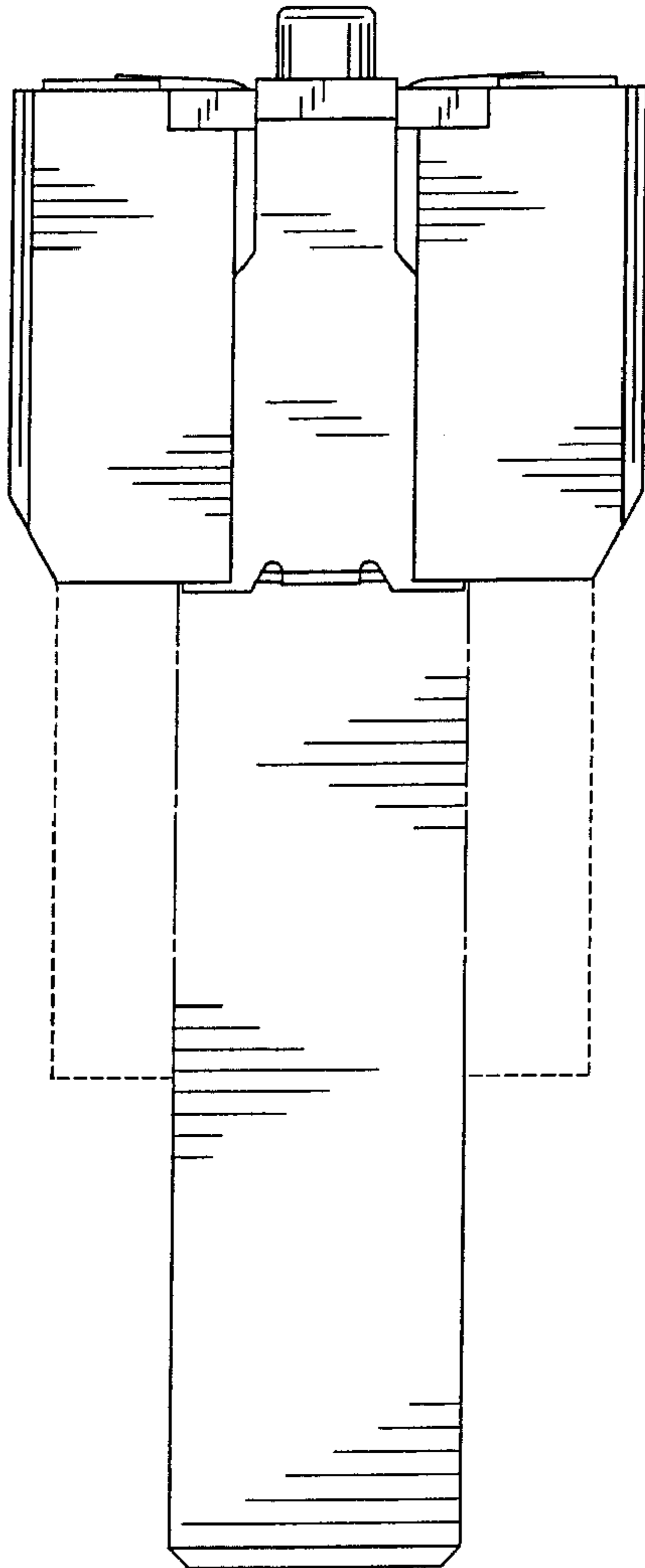


Fig.6

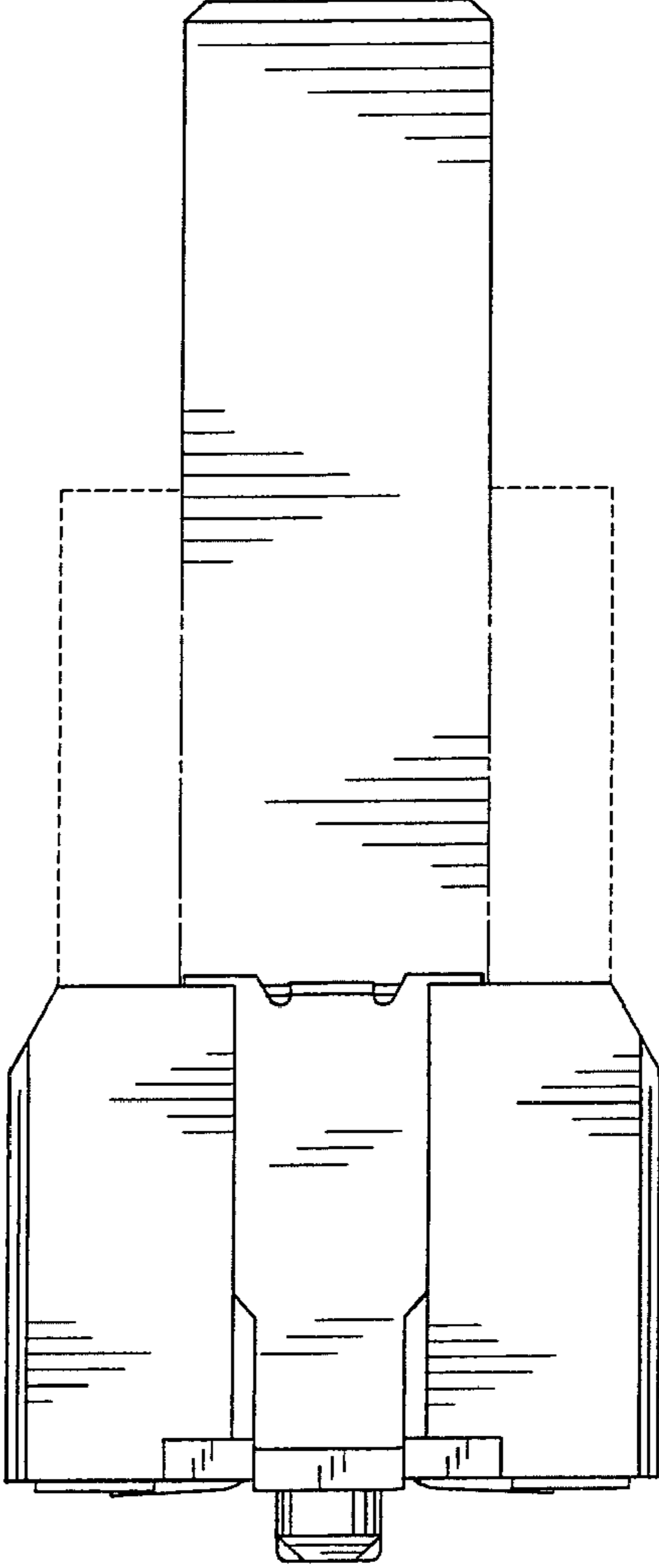


Fig.7

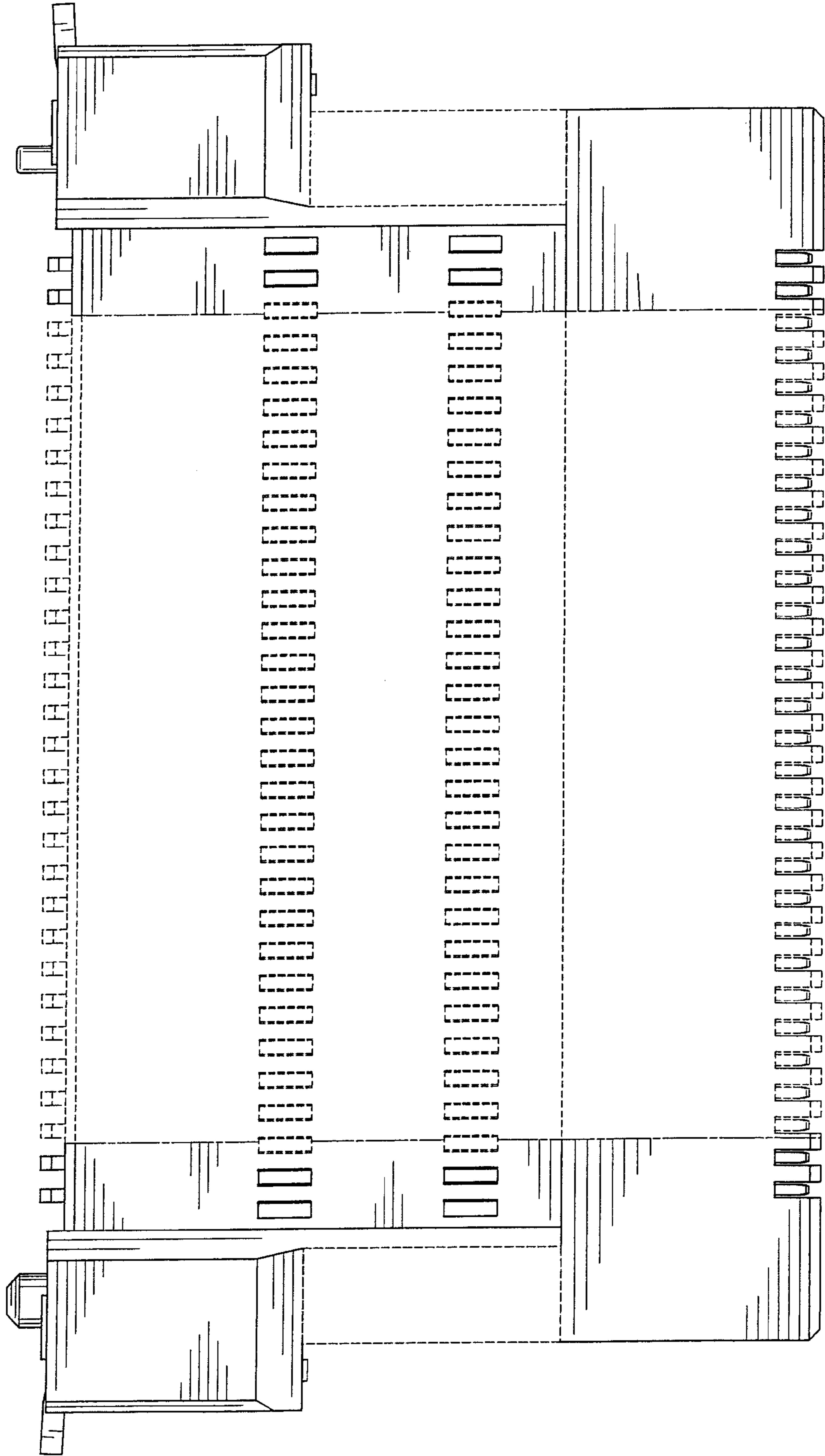


Fig. 8

