



US00D601504S

(12) **United States Design Patent**  
**Rupp et al.**

(10) **Patent No.:** **US D601,504 S**  
(45) **Date of Patent:** **\*\* Oct. 6, 2009**

(54) **CONNECTOR WITH PINS AND FLANGE**

(75) Inventors: **Bernhard Rupp**, Remseck (DE);  
**Andreas Zimmermann**, Weil der Stadt  
(DE)

(73) Assignee: **ITT Manufacturing Enterprises, Inc.**,  
Wilmington, DE (US)

(\*\*) Term: **14 Years**

(21) Appl. No.: **29/313,916**

(22) Filed: **Feb. 19, 2009**

(30) **Foreign Application Priority Data**

Sep. 17, 2008 (EP) ..... 001004089

(51) **LOC (9) Cl.** ..... **13-03**

(52) **U.S. Cl.** ..... **D13/147**

(58) **Field of Classification Search** ..... D13/133,  
D13/146-147, 154, 184; 174/67; 220/242;  
439/133, 142, 314, 318, 677, 680, 695  
See application file for complete search history.

(56) **References Cited**

**U.S. PATENT DOCUMENTS**

D360,617 S \* 7/1995 Grande ..... D13/133  
6,183,293 B1 \* 2/2001 Kieninger ..... 439/551

D446,771 S \* 8/2001 Bosatelli ..... D13/146  
D525,202 S \* 7/2006 Bihrer ..... D13/146  
7,422,486 B2 \* 9/2008 Hoff et al. .... 439/660  
2008/0076292 A1 \* 3/2008 Hoff et al. .... 439/374

\* cited by examiner

*Primary Examiner*—Daniel D Bui

(74) *Attorney, Agent, or Firm*—Peter Van Winkle

(57) **CLAIM**

The ornamental design for a connector with pins and flange,  
as shown and described.

**DESCRIPTION**

FIG. 1 is a front, top and left side perspective view of a  
connector with pins and flange showing our new design.

FIG. 2 is a front elevation view thereof.

FIG. 3 is a rear elevation view thereof.

FIG. 4 is a left side elevation view thereof.

FIG. 5 is a right side view thereof.

FIG. 6 is a top view thereof; and,

FIG. 7 is a bottom view thereof.

The broken line portion in the drawing views is included to  
show unclaimed subject matter only and forms no part of the  
claimed design.

**1 Claim, 2 Drawing Sheets**

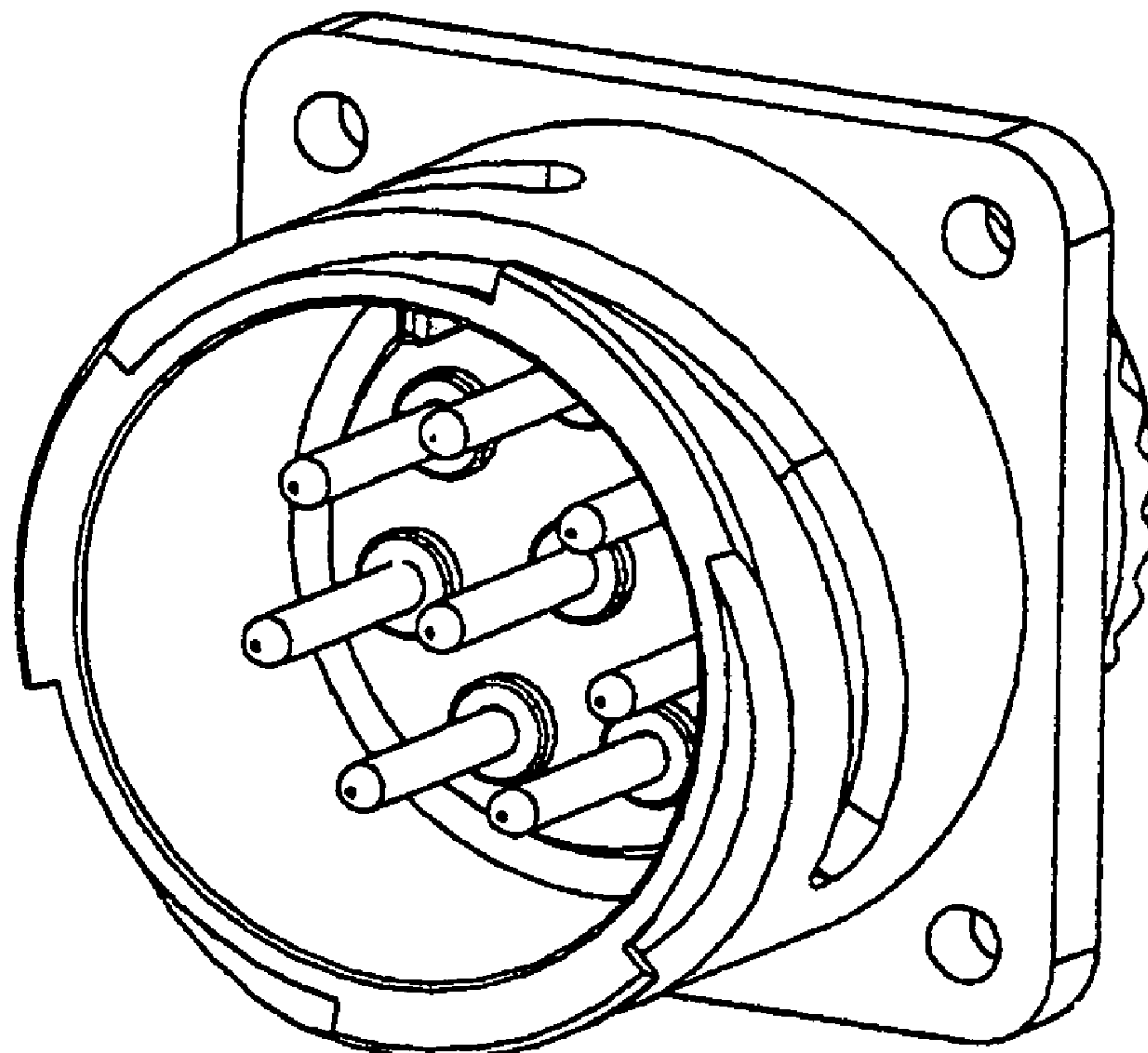


FIG. 1

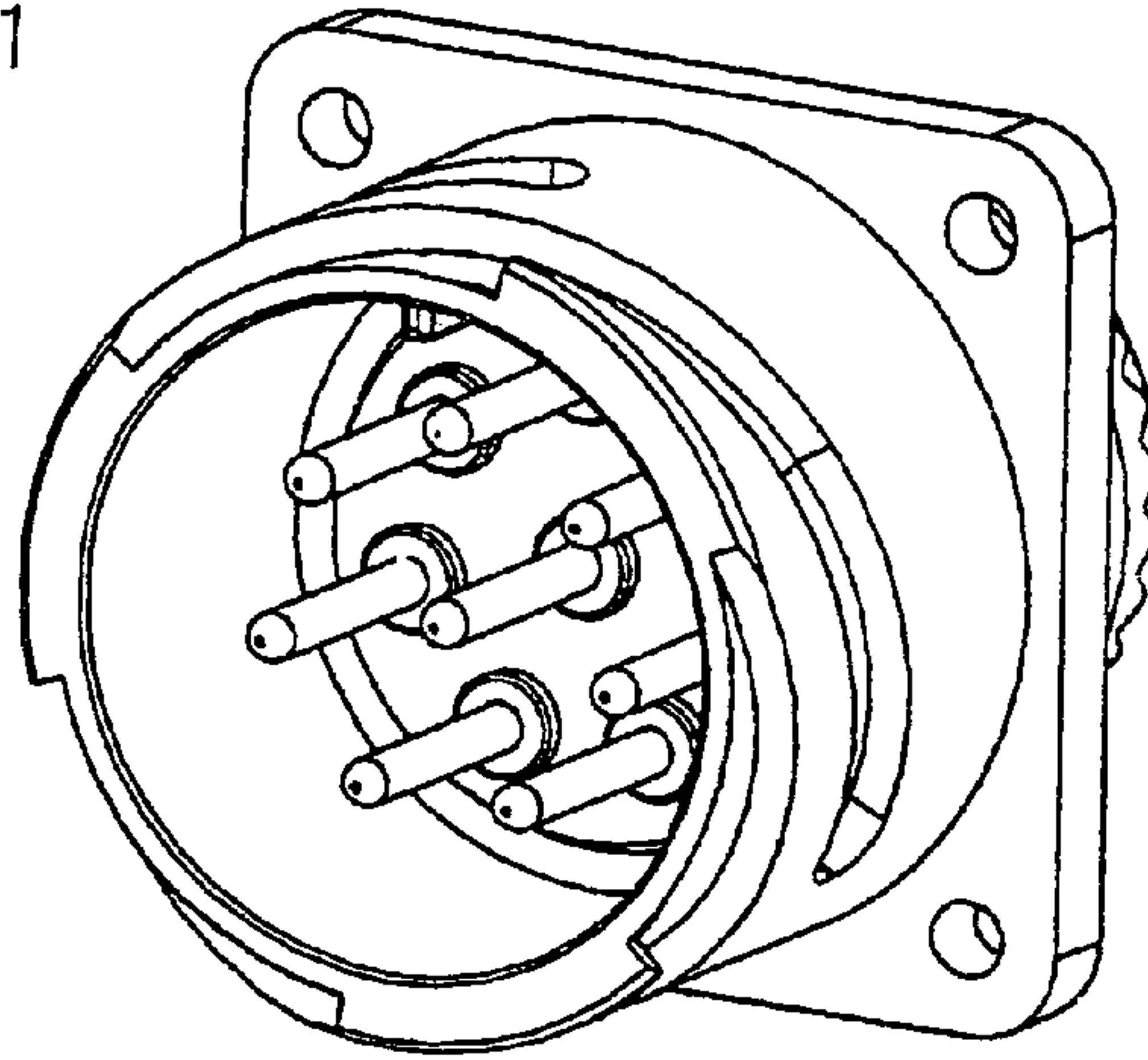


FIG. 2

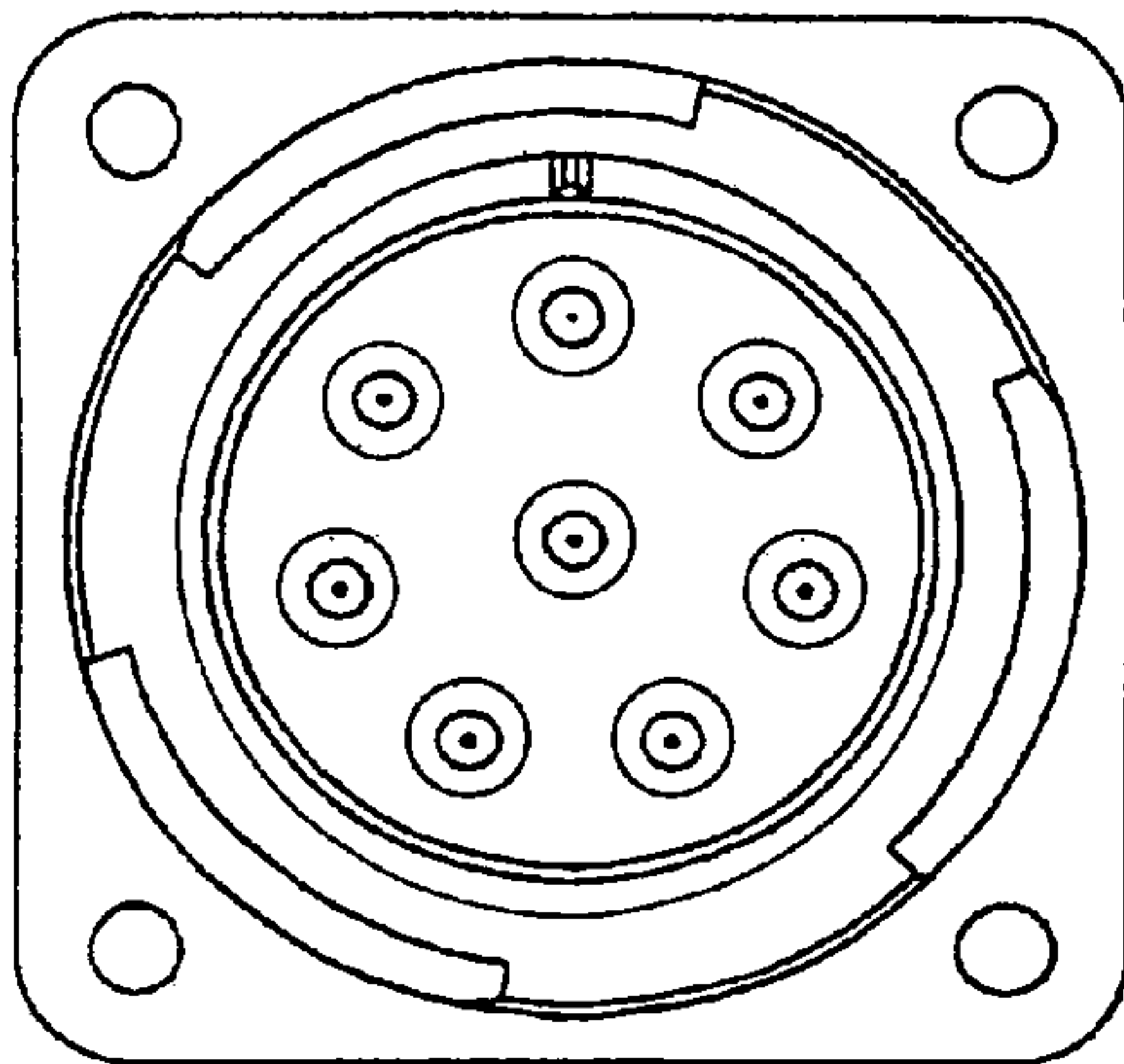


FIG. 3

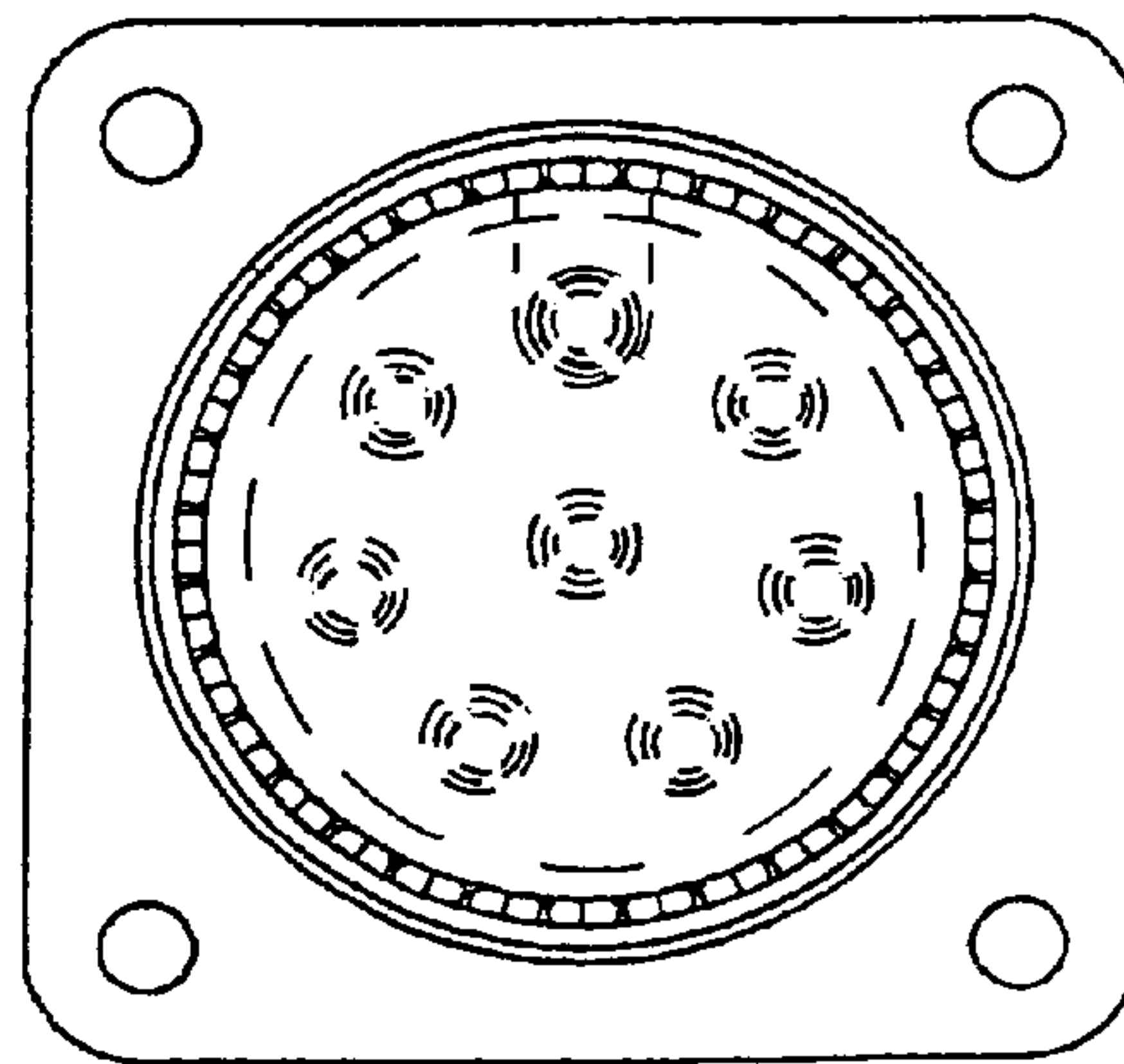


FIG. 6

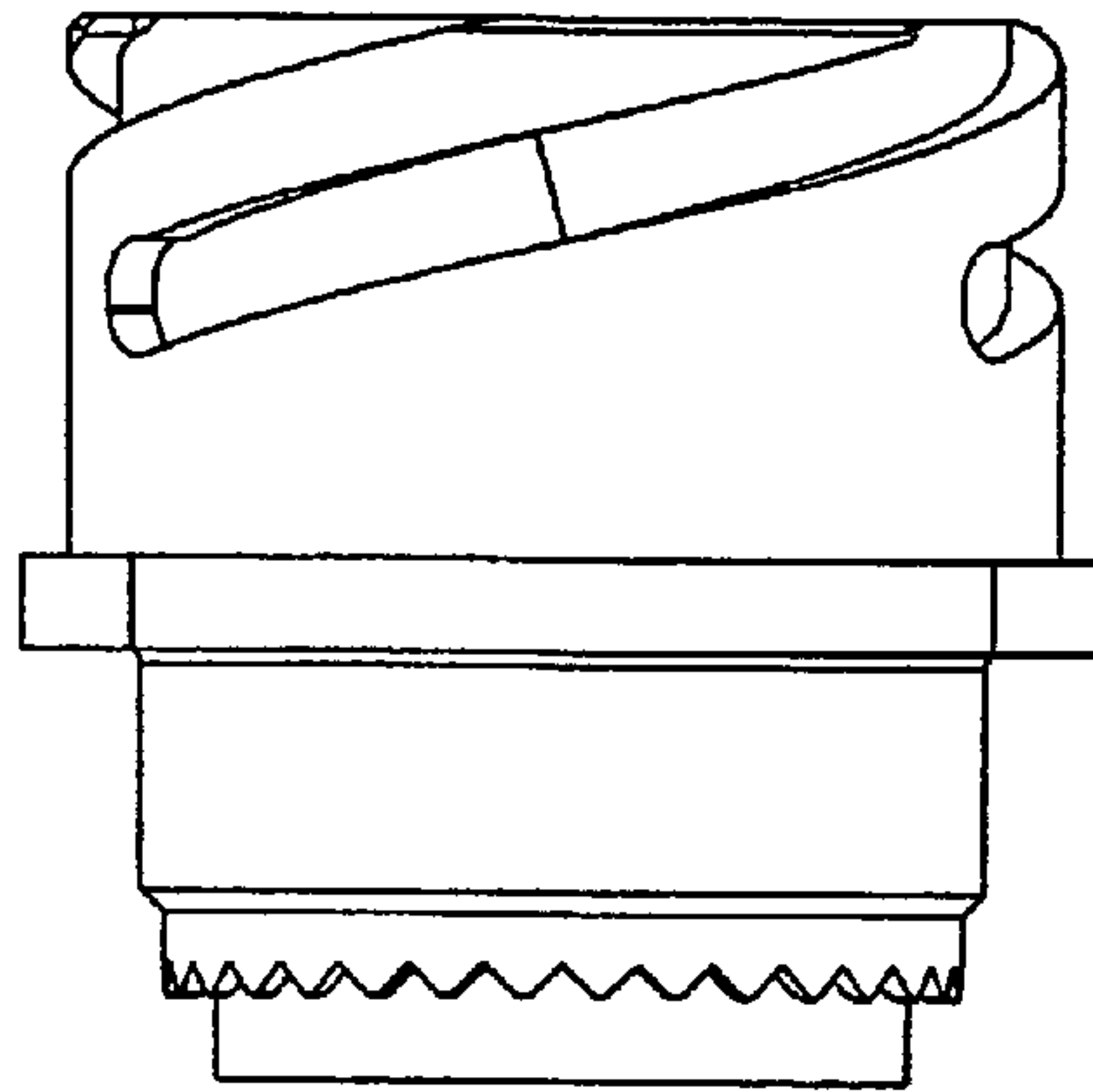


FIG. 4

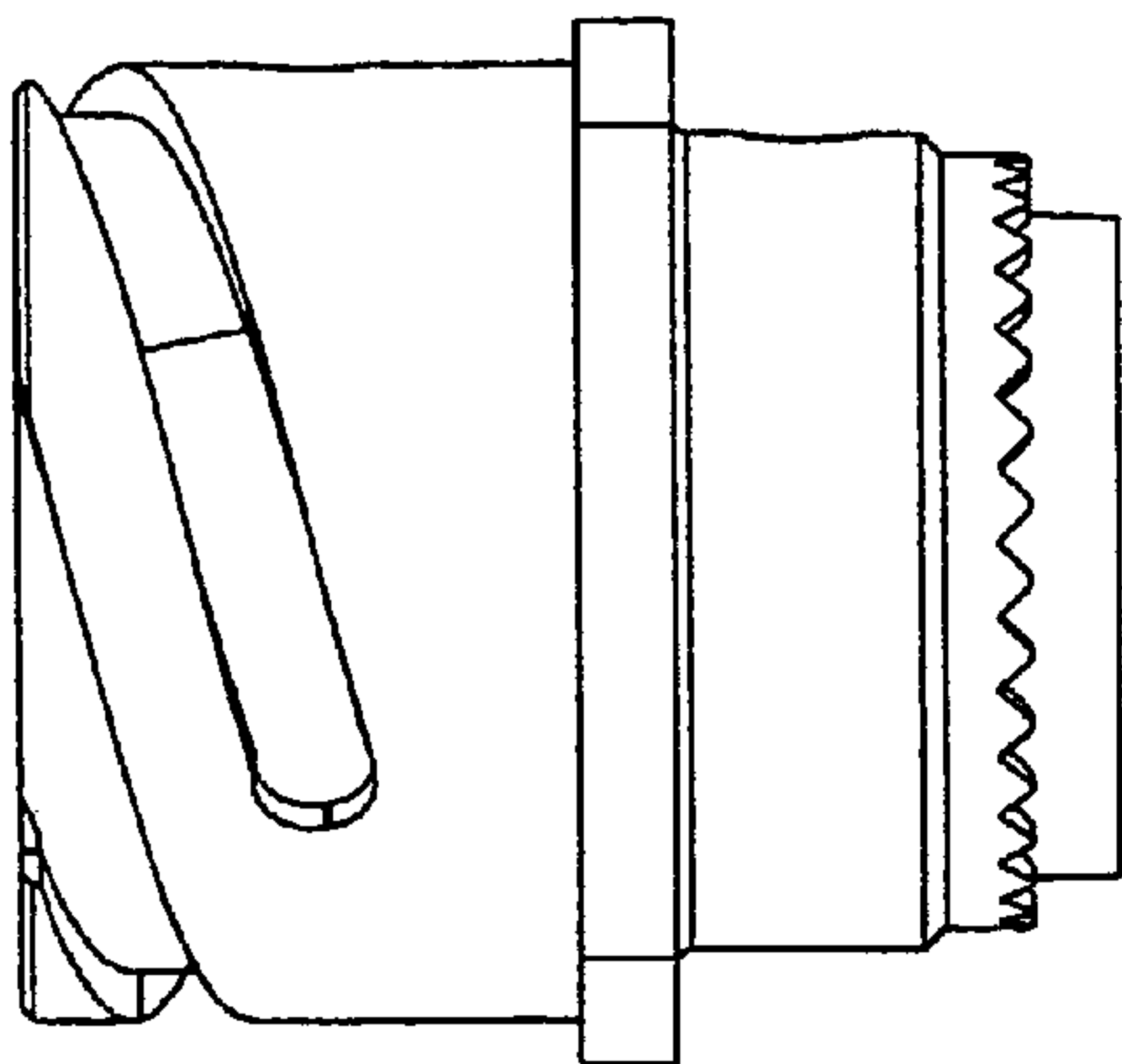


FIG. 5

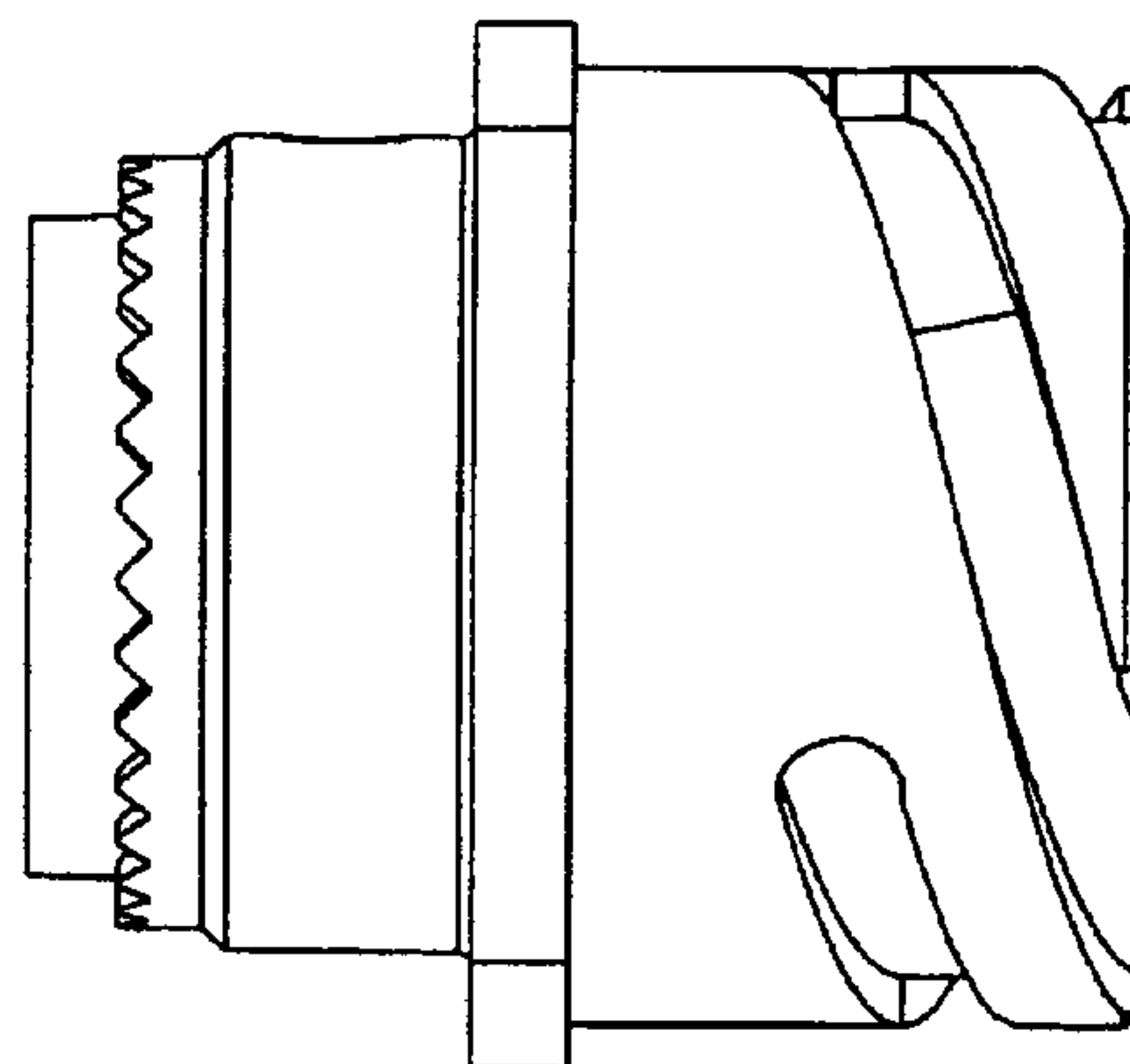


FIG. 7

