



US00D601502S

(12) **United States Design Patent**  
**Miyatake et al.**

(10) **Patent No.:** **US D601,502 S**  
(45) **Date of Patent:** **\*\* Oct. 6, 2009**

(54) **CONNECTOR PLUG**  
(75) Inventors: **Junichiro Miyatake**, Kyoto (JP);  
**Kazuumi Otani**, Kyoto (JP)  
(73) Assignee: **Nintendo Co., Ltd.**, Kyoto (JP)  
(\*\*) Term: **14 Years**

D558,677 S 1/2008 Ashida et al.  
D558,682 S 1/2008 Ashida et al.  
D562,769 S 2/2008 Ashida et al.  
D563,872 S \* 3/2008 Lee et al. .... D13/133  
D563,899 S \* 3/2008 Goetz et al. .... D13/154  
D568,821 S 5/2008 Ashida et al.  
D568,823 S 5/2008 Ashida et al.  
D586,293 S \* 2/2009 Fujino ..... D13/133

(21) Appl. No.: **29/326,251**  
(22) Filed: **Oct. 15, 2008**

\* cited by examiner

*Primary Examiner*—Daniel D Bui  
(74) *Attorney, Agent, or Firm*—Nixon & Vanderhye, P.C.

(30) **Foreign Application Priority Data**  
Apr. 15, 2008 (JP) ..... 2008-009596

(57) **CLAIM**

The ornamental designs for a connector plug, as shown and described.

(51) **LOC (9) Cl.** ..... **13-03**  
(52) **U.S. Cl.** ..... **D13/133; D13/147**  
(58) **Field of Classification Search** ..... D13/133,  
D13/146–147, 154, 184; 439/350, 353, 358,  
439/447, 607–610, 660, 677, 680, 682, 686  
See application file for complete search history.

**DESCRIPTION**

FIG. 1 is a front, bottom and right perspective view of a connector plug of our new design;  
FIG. 2 is a rear, top and left perspective view thereof;  
FIG. 3 is a front view thereof;  
FIG. 4 is a rear view thereof;  
FIG. 5 is a right side view thereof, a left side view being a mirror image thereof;  
FIG. 6 is a top plan view thereof;  
FIG. 7 is a bottom plan view thereof; and,  
FIG. 8 is a front, bottom and right side perspective view thereof, in use condition.

The broken line showing of the environment is for illustrative purposes only and forms no part of the claimed design.

(56) **References Cited**

**U.S. PATENT DOCUMENTS**

D381,628 S 7/1997 Ashida  
D453,320 S 2/2002 Sugino  
D453,498 S 2/2002 Fujita  
D468,692 S 1/2003 Ashida et al.  
D475,018 S 5/2003 Ashida et al.  
D502,924 S \* 3/2005 Sirichai et al. .... D13/154  
D533,503 S 12/2006 Ashida et al.  
D543,156 S \* 5/2007 Suckle ..... D13/154  
D550,159 S 9/2007 Kawanobe  
D553,087 S 10/2007 Ashida et al.  
D553,567 S 10/2007 Kawanobe  
D557,659 S 12/2007 Ashida et al.

**1 Claim, 3 Drawing Sheets**

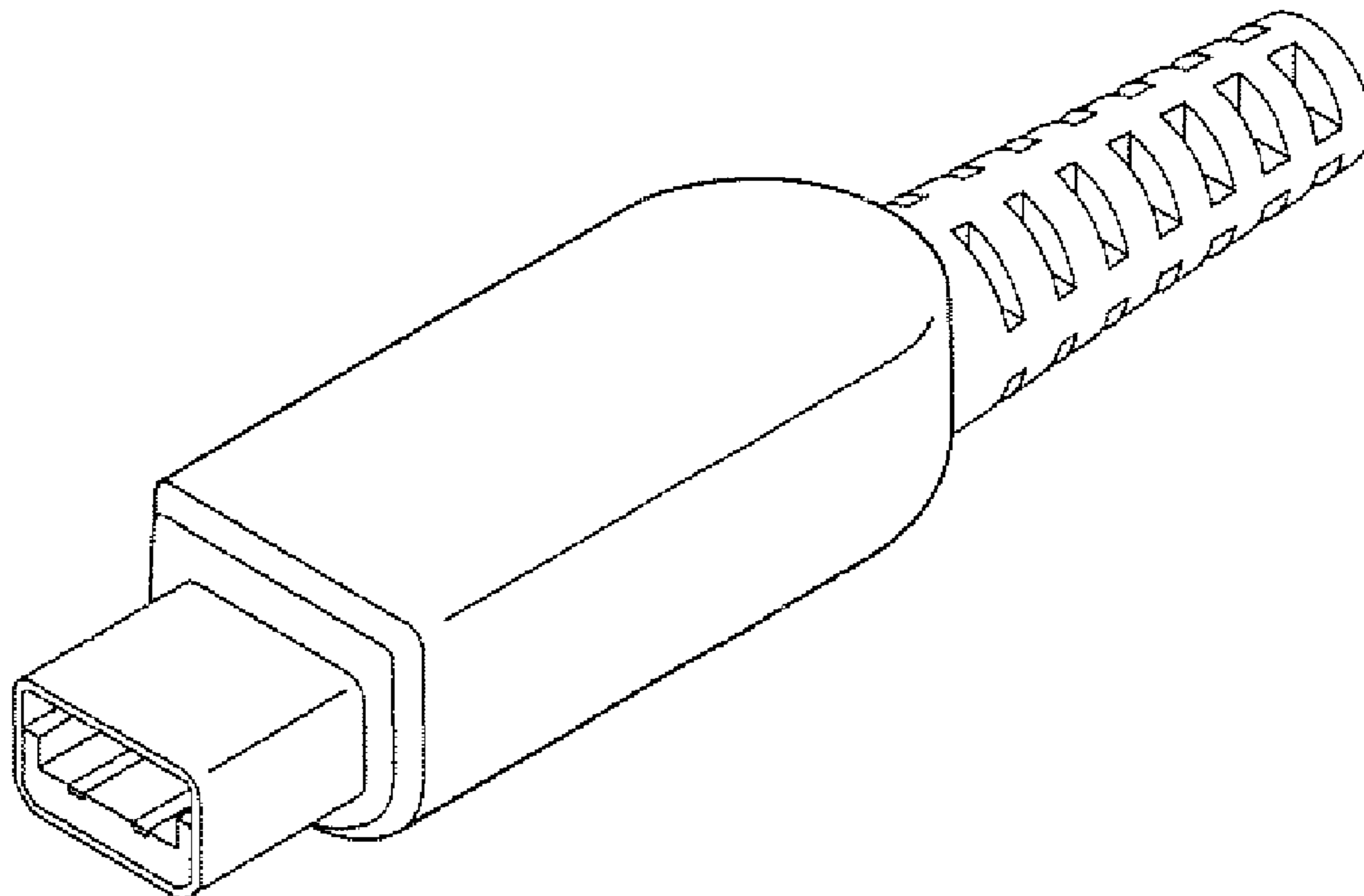


FIG. 1

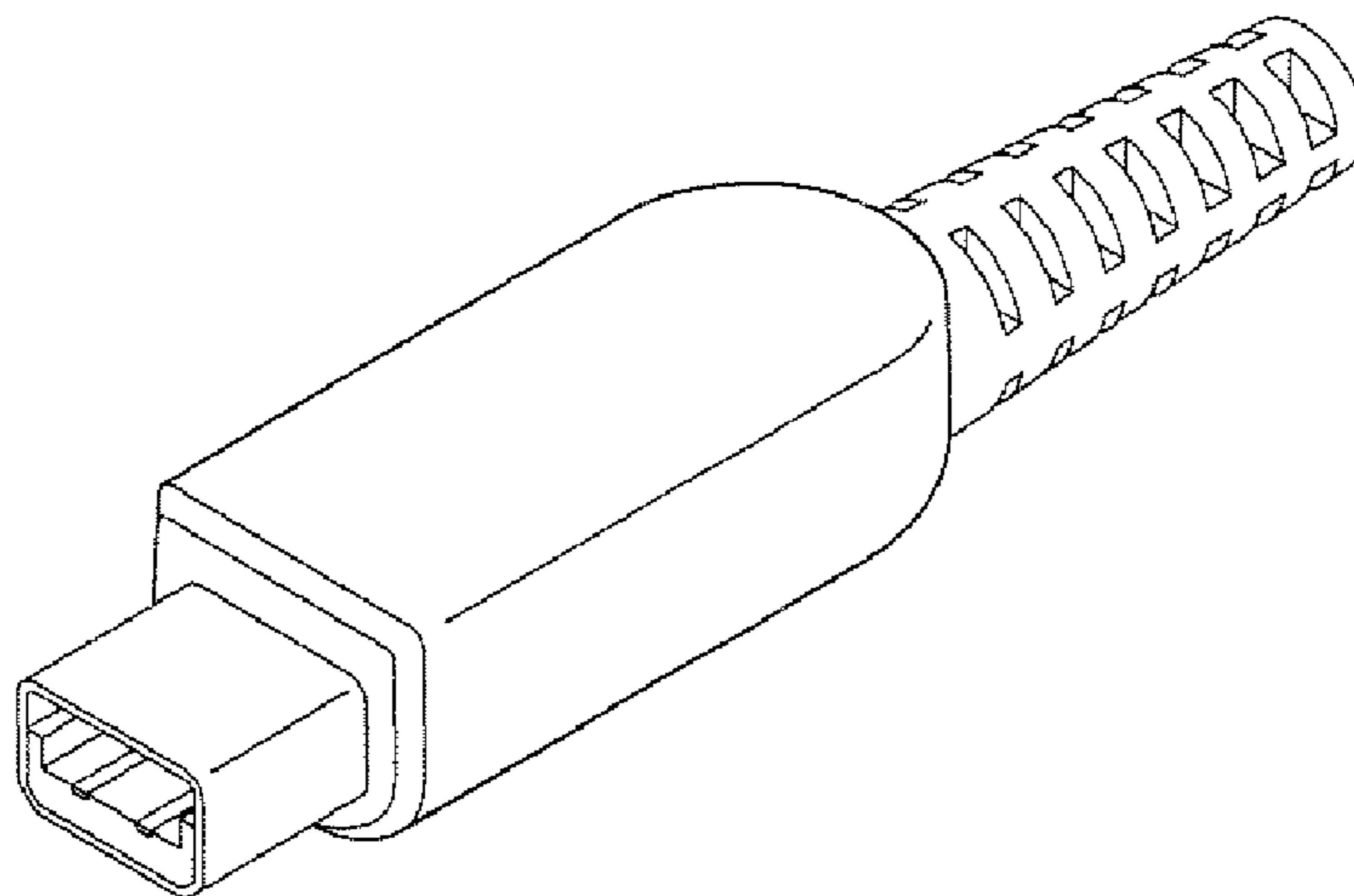


FIG. 2

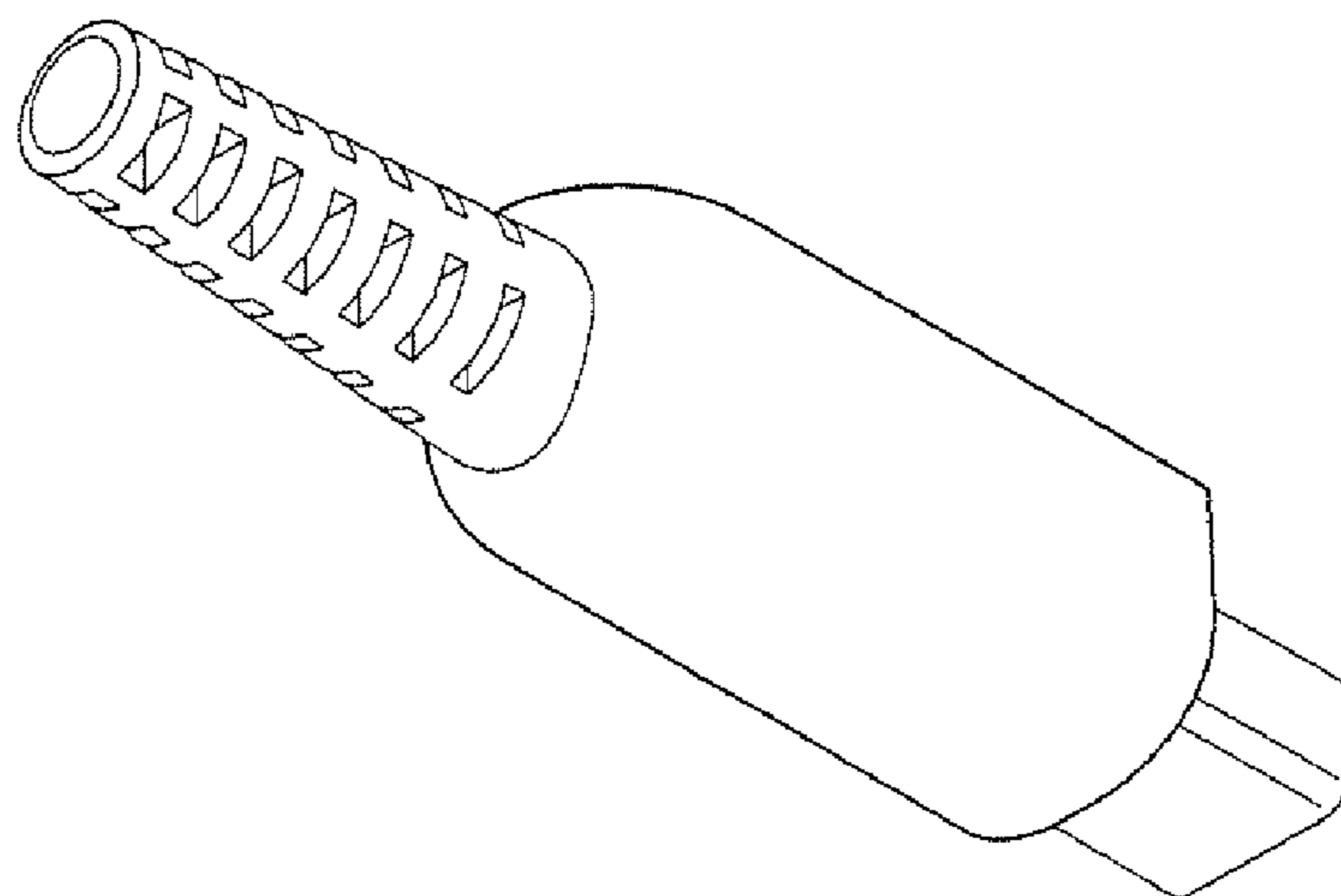


FIG. 3

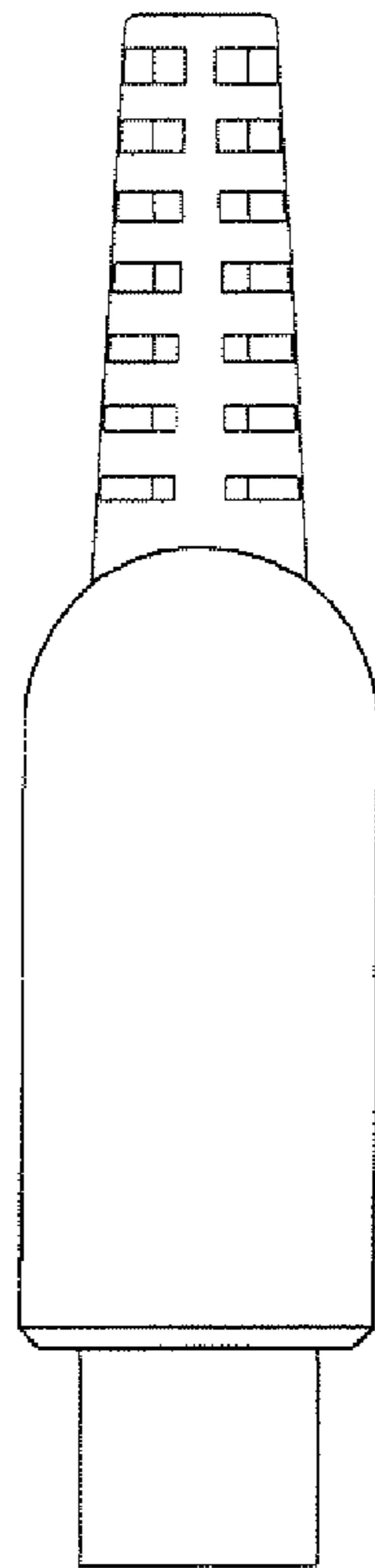


FIG. 4

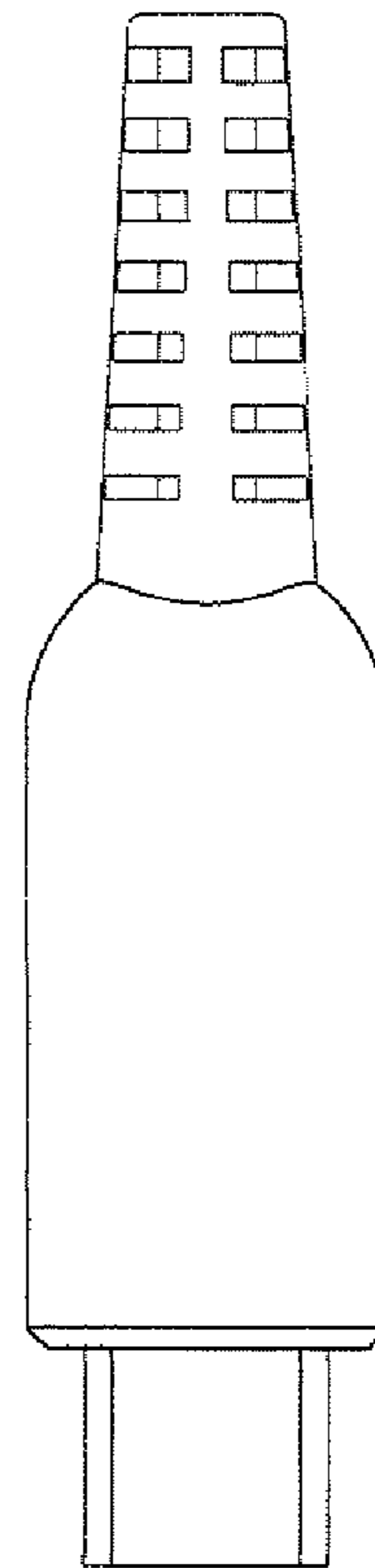


FIG. 5

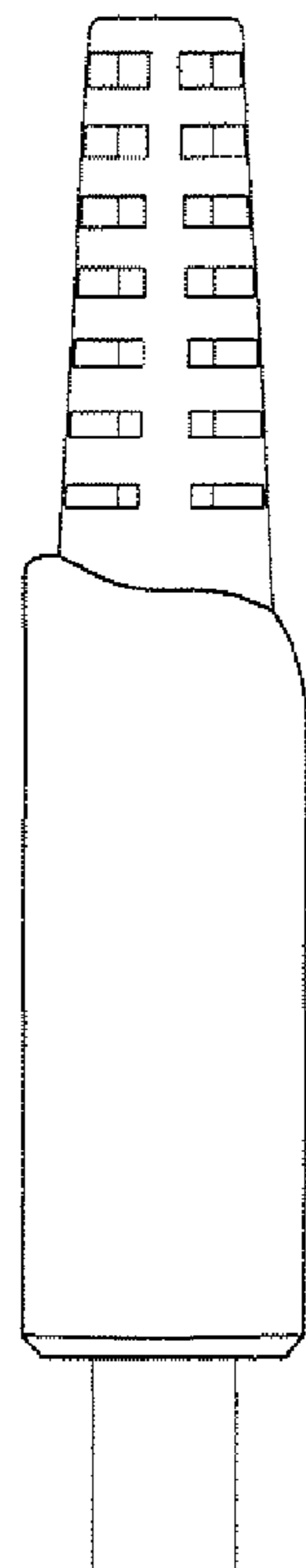


FIG. 6

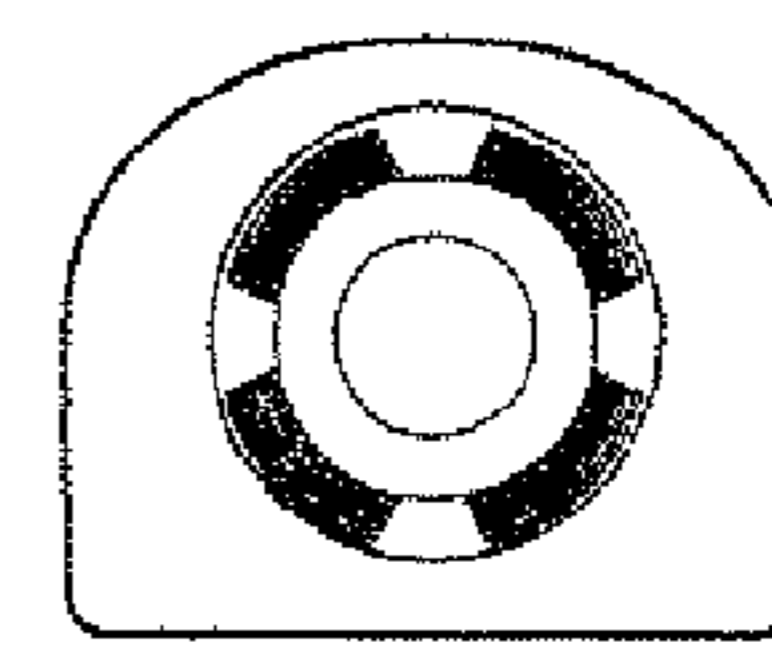
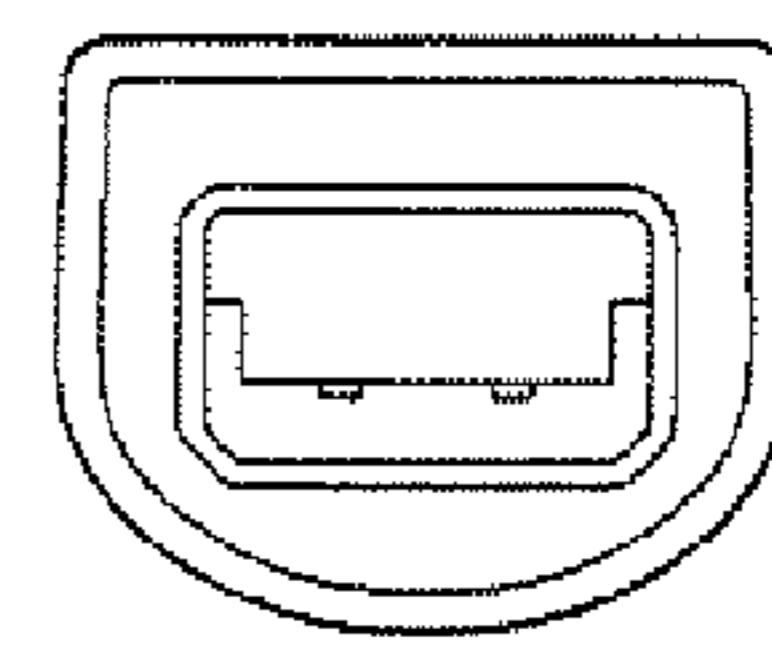


FIG. 7



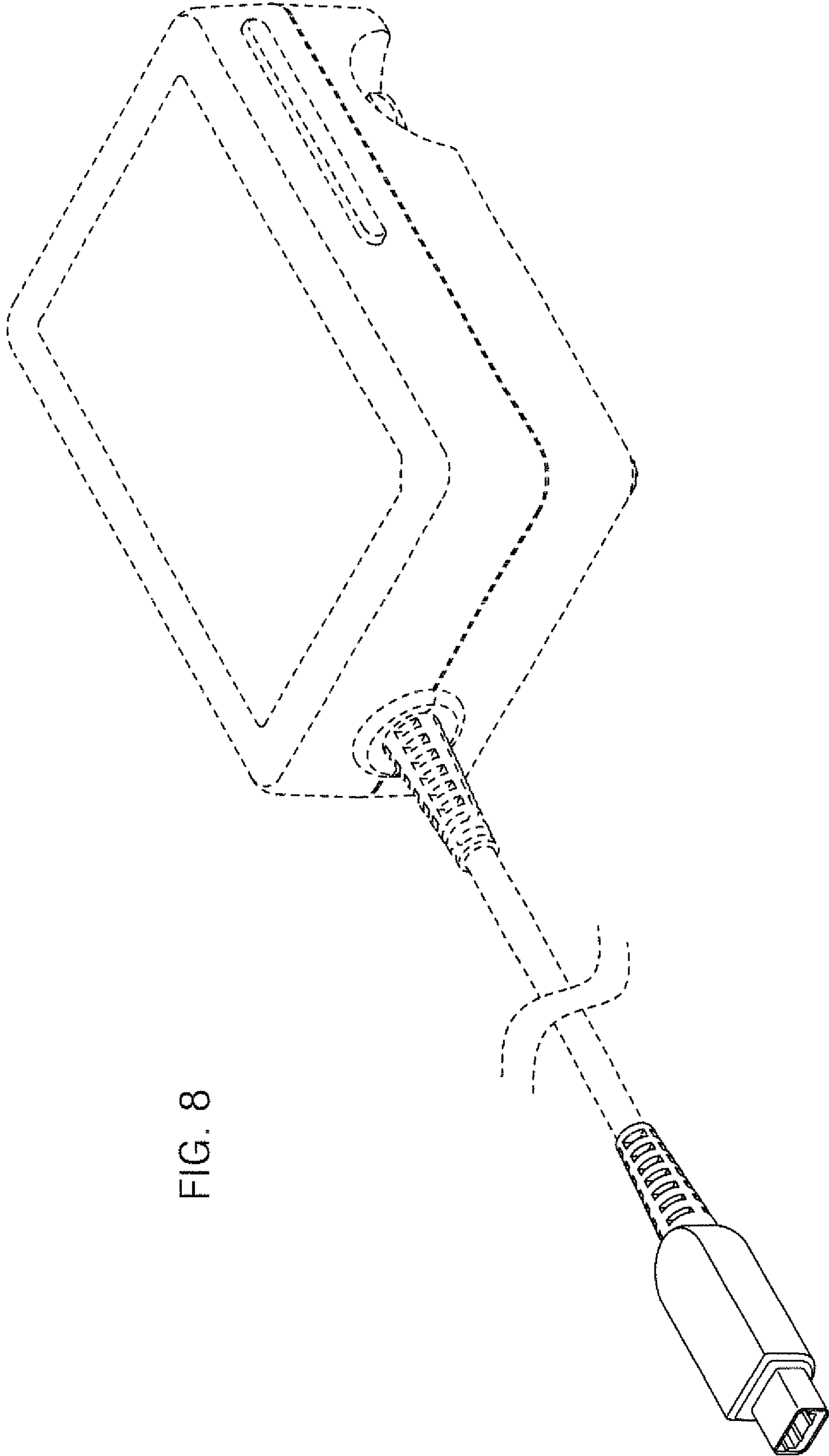


FIG. 8