

US00D601499S

(12) **United States Design Patent**
Matsuo et al.

(10) **Patent No.:** **US D601,499 S**

(45) **Date of Patent:** **** Oct. 6, 2009**

(54) **PORTIONS OF CAPACITOR MODULE FOR POWER INVERTER**

(75) Inventors: **Takeshi Matsuo**, Hitachinaka (JP);
Kinya Nakatsu, Hitachinaka (JP);
Fusanori Nishikimi, Hitachinaka (JP);
Toshiya Satoh, Hitachiota (JP)

(73) Assignee: **Hitachi, Ltd.**, Tokyo (JP)

(**) Term: **14 Years**

(21) Appl. No.: **29/311,341**

(22) Filed: **Feb. 26, 2009**

(30) **Foreign Application Priority Data**

Sep. 1, 2008 (JP) 2008-022445

(51) **LOC (9) Cl.** **13-02**

(52) **U.S. Cl.** **D13/110**

(58) **Field of Classification Search** D13/110,
D13/101, 125, 162, 182, 199; 307/150; 361/679,
361/707, 717, 718, 719, 720, 736, 752; 363/36,
363/37, 55, 56.01, 142

See application file for complete search history.

(56) **References Cited**

U.S. PATENT DOCUMENTS

D192,467 S * 3/1962 Black D13/125
D298,824 S * 12/1988 Kondo et al. D13/110
D330,701 S * 11/1992 Suzuki et al. D13/162
6,005,773 A * 12/1999 Rozman et al. 361/707

D463,362 S * 9/2002 Alcantar et al. D13/110
D469,059 S * 1/2003 Ando et al. D13/110
D495,295 S * 8/2004 Alcantar et al. D13/110
D551,622 S * 9/2007 Katoh et al. D13/125
D556,686 S * 12/2007 Matsuo et al. D13/110

* cited by examiner

Primary Examiner—Prabhakar Deshmukh

Assistant Examiner—Derrick Holland

(74) *Attorney, Agent, or Firm*—Antonelli, Terry, Stout & Kraus, LLP.

(57) **CLAIM**

The ornamental design for portions of capacitor module for power inverter, as shown and described.

DESCRIPTION

FIG. 1 is a front, top and right side perspective view of portions of capacitor module for power inverter showing our new design;

FIG. 2 is a front elevational view thereof;

FIG. 3 is a rear elevational view thereof;

FIG. 4 is a top plan view thereof;

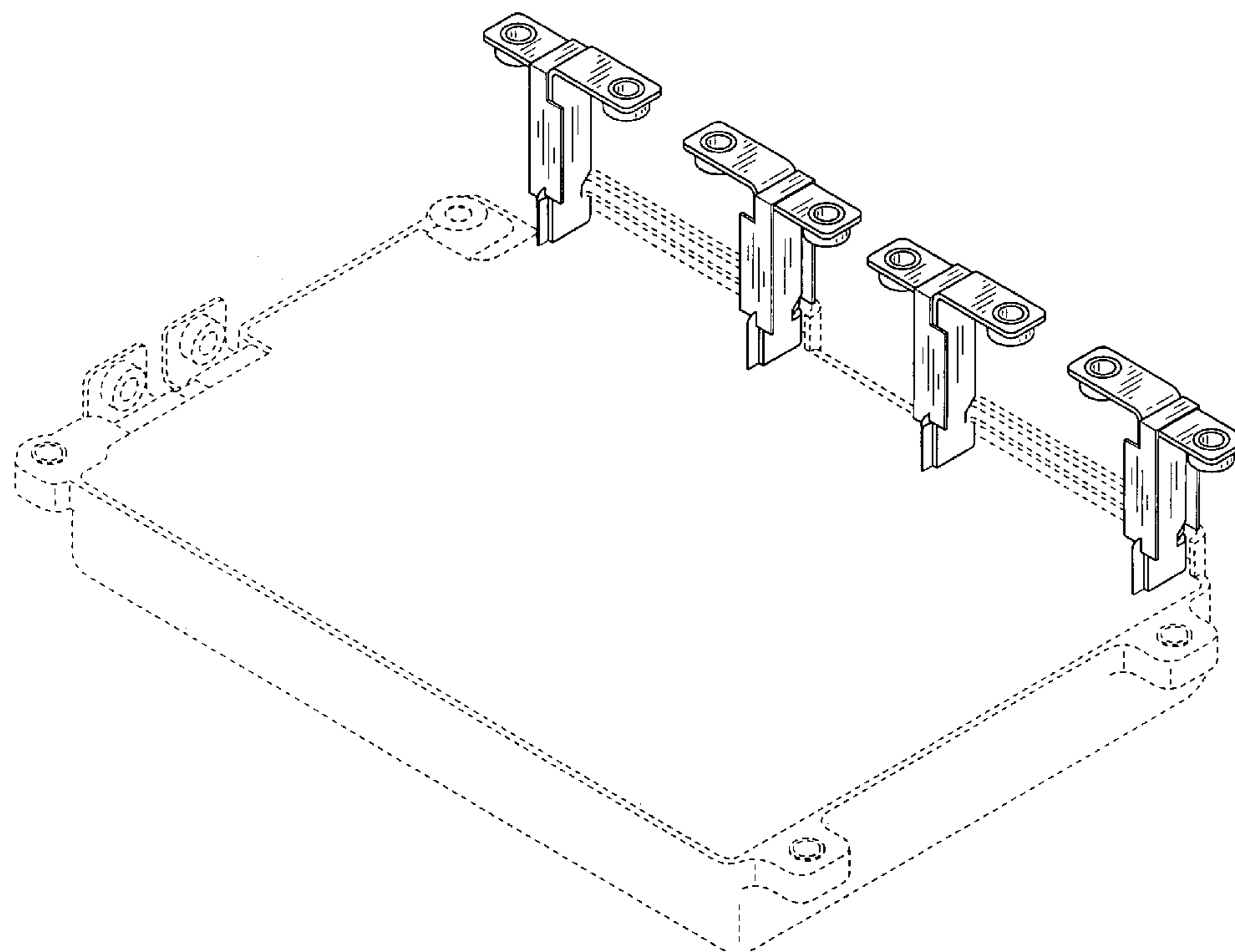
FIG. 5 is a bottom plan view thereof;

FIG. 6 is a left side elevational view thereof; and,

FIG. 7 is a right side elevational view thereof.

The broken lines shown are for illustrative purposes only and form no part of the claimed design.

1 Claim, 5 Drawing Sheets



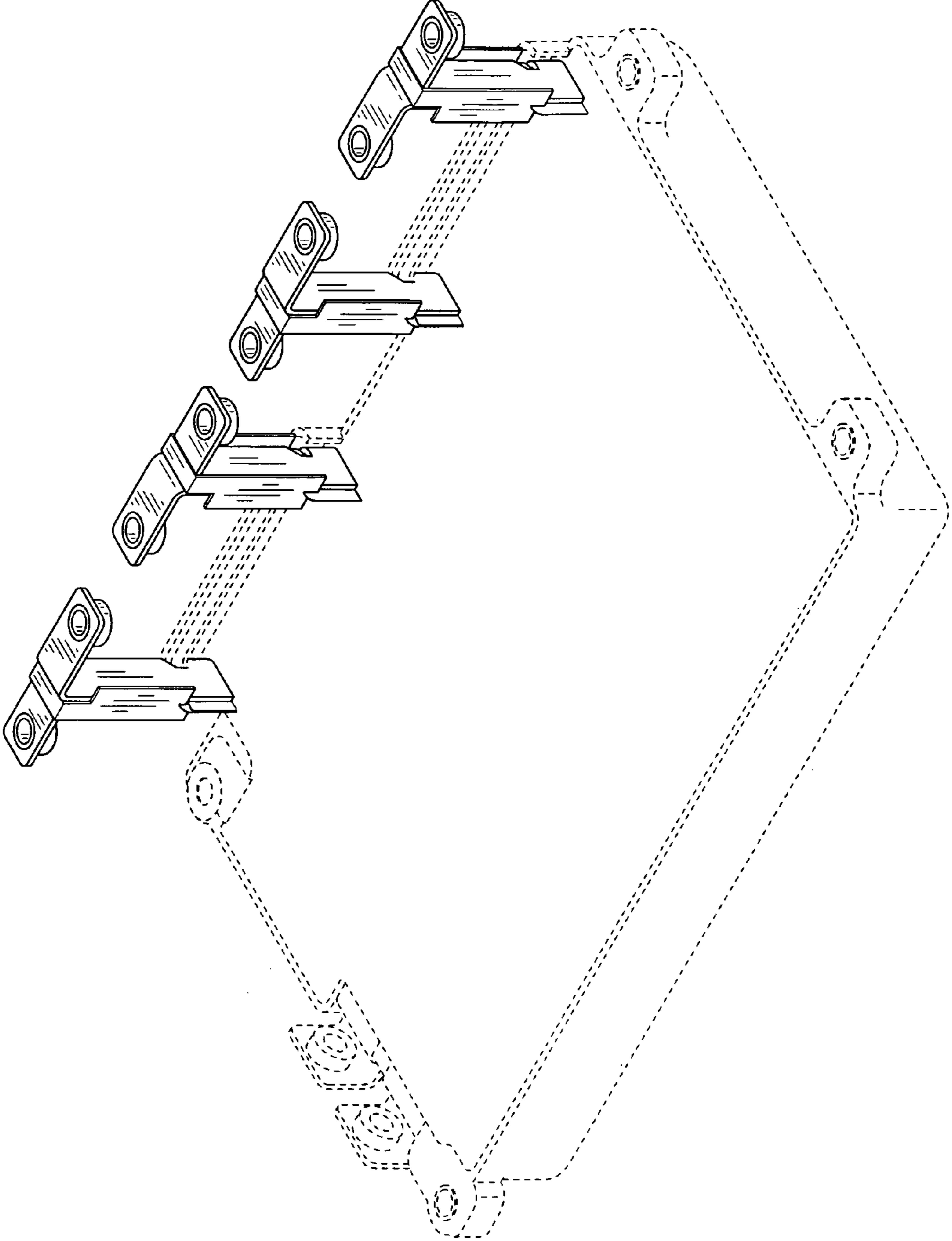


FIG. 1

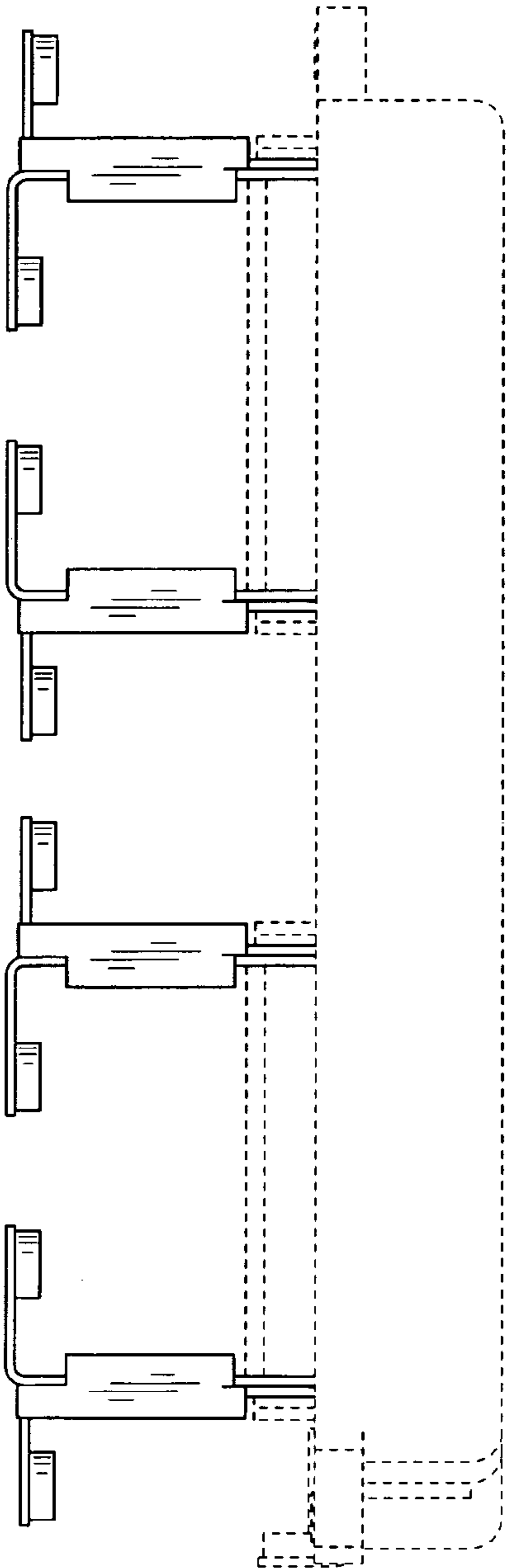


FIG. 2

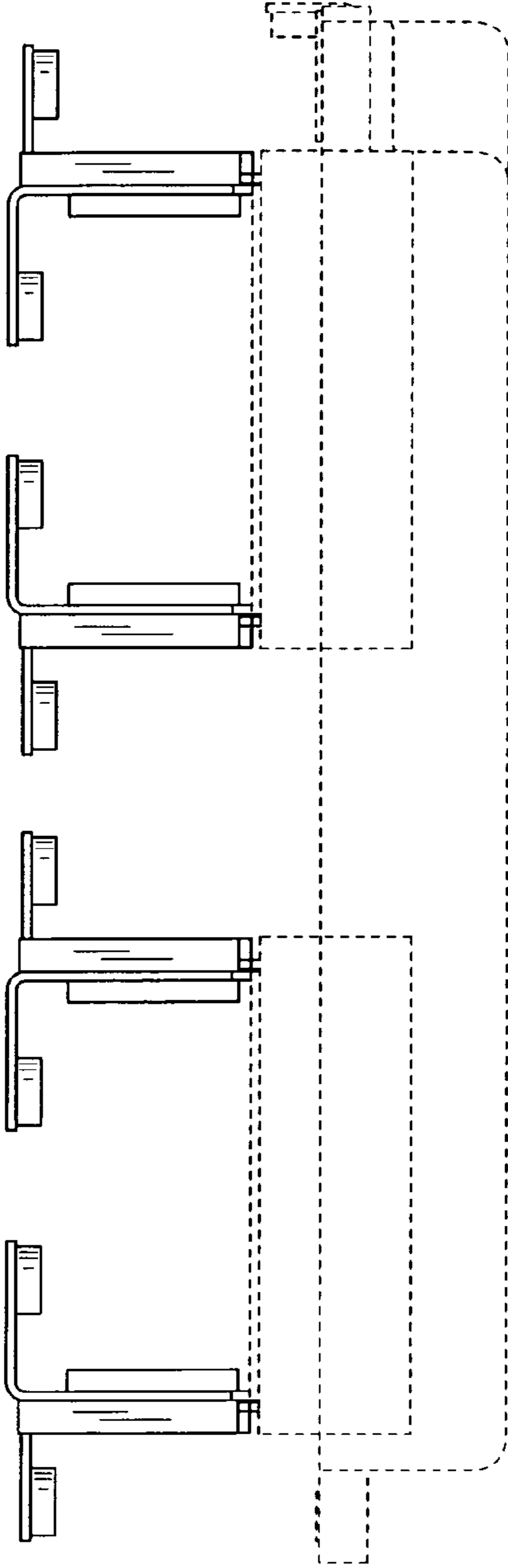


FIG. 3

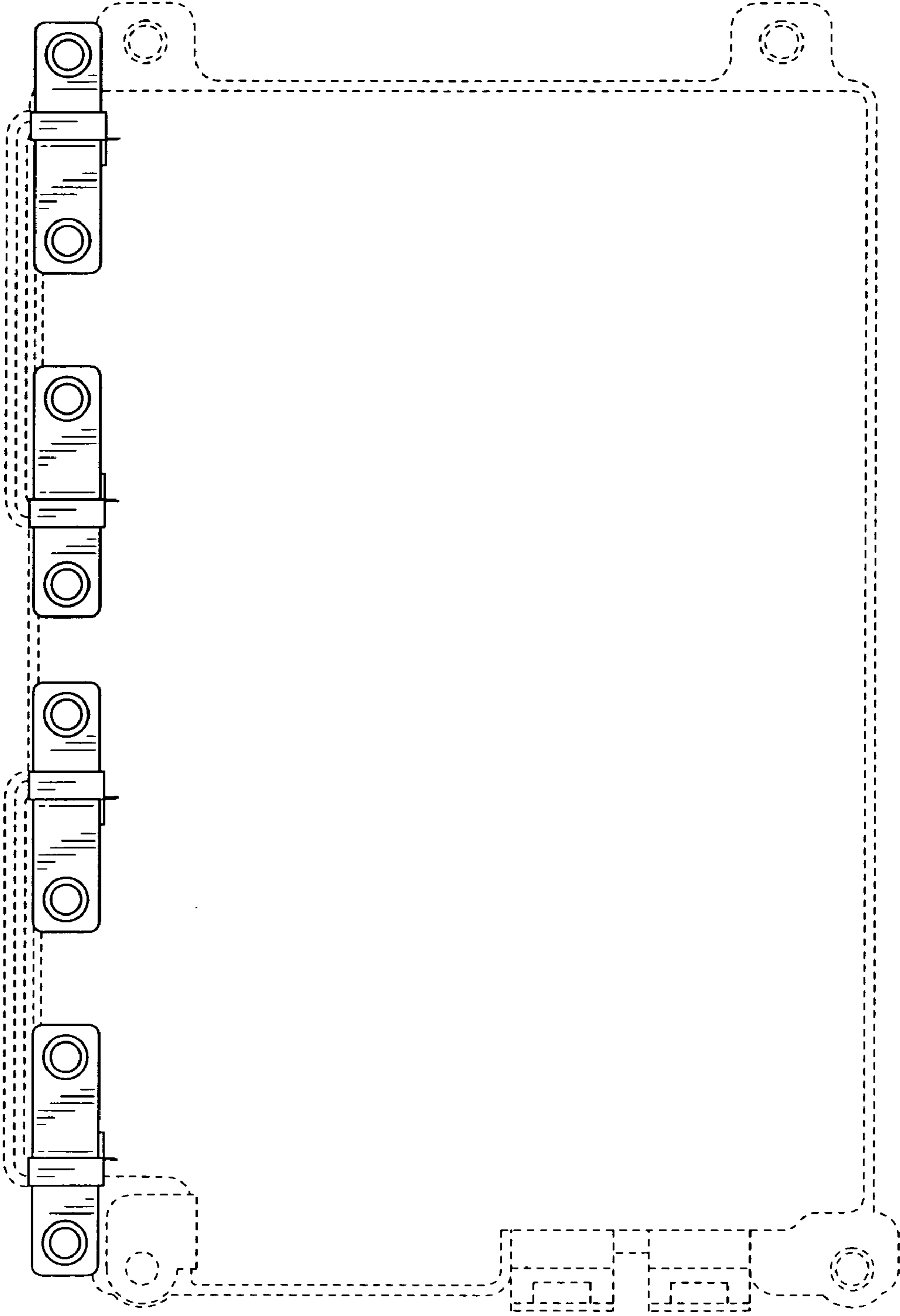


FIG. 4

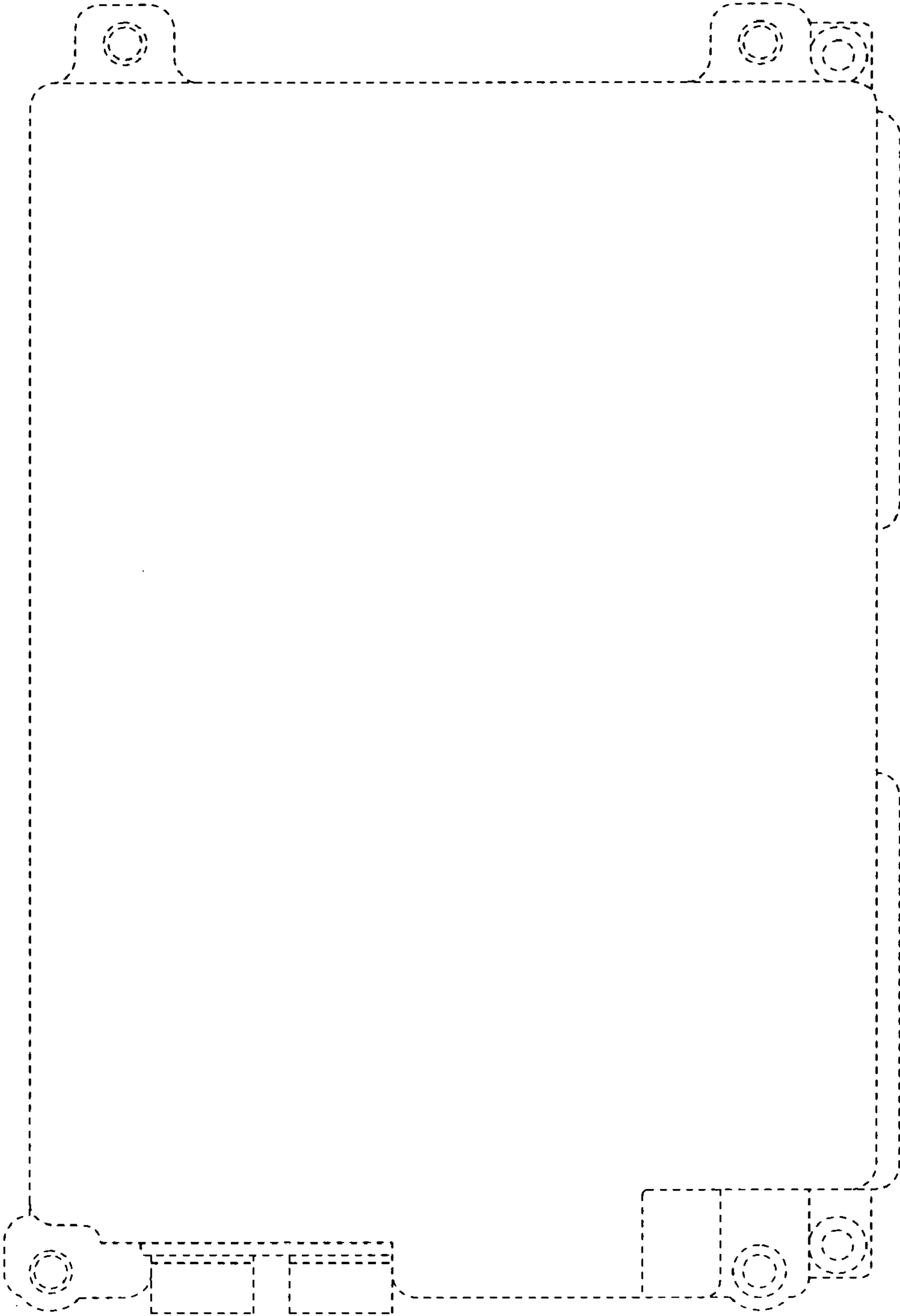


FIG. 5

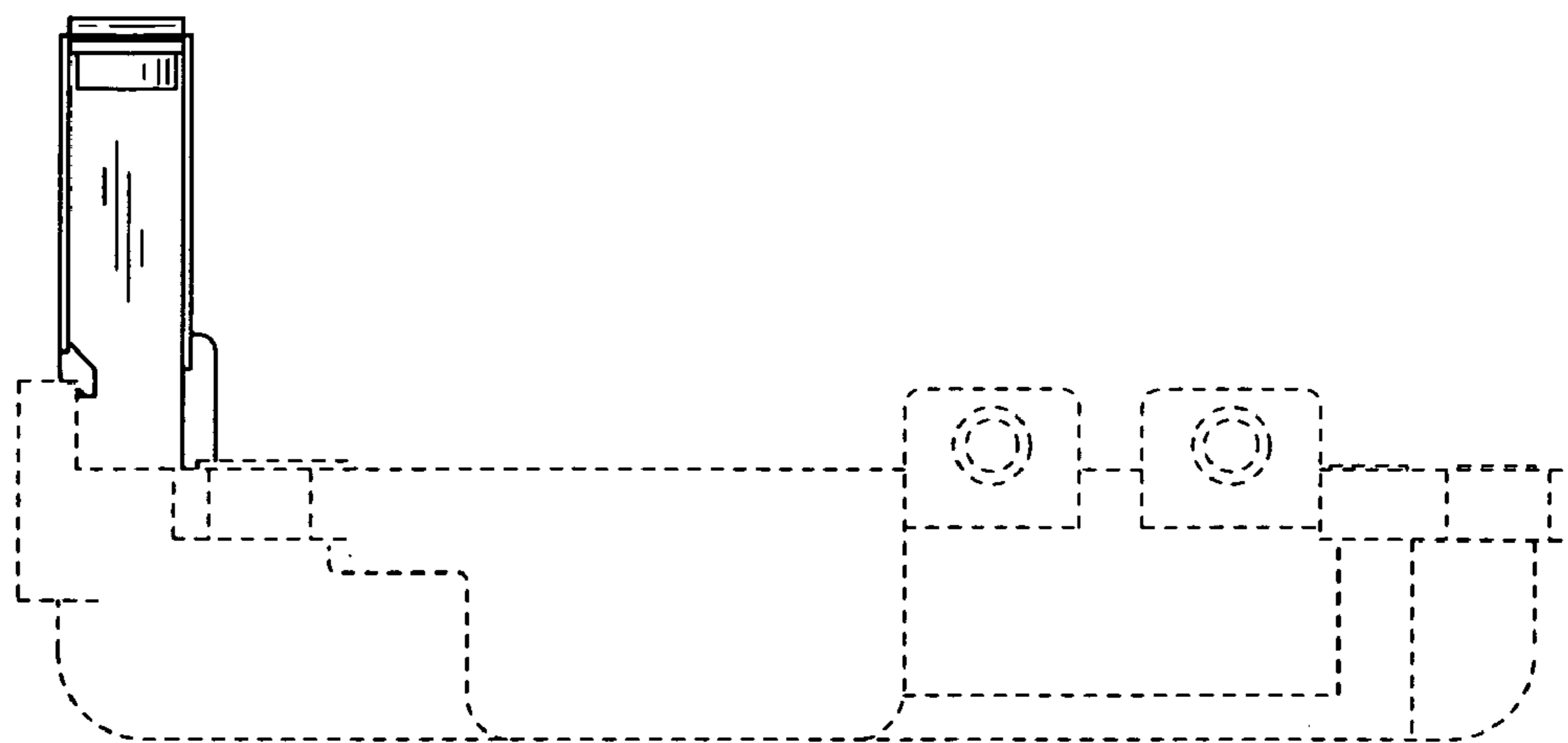


FIG. 6

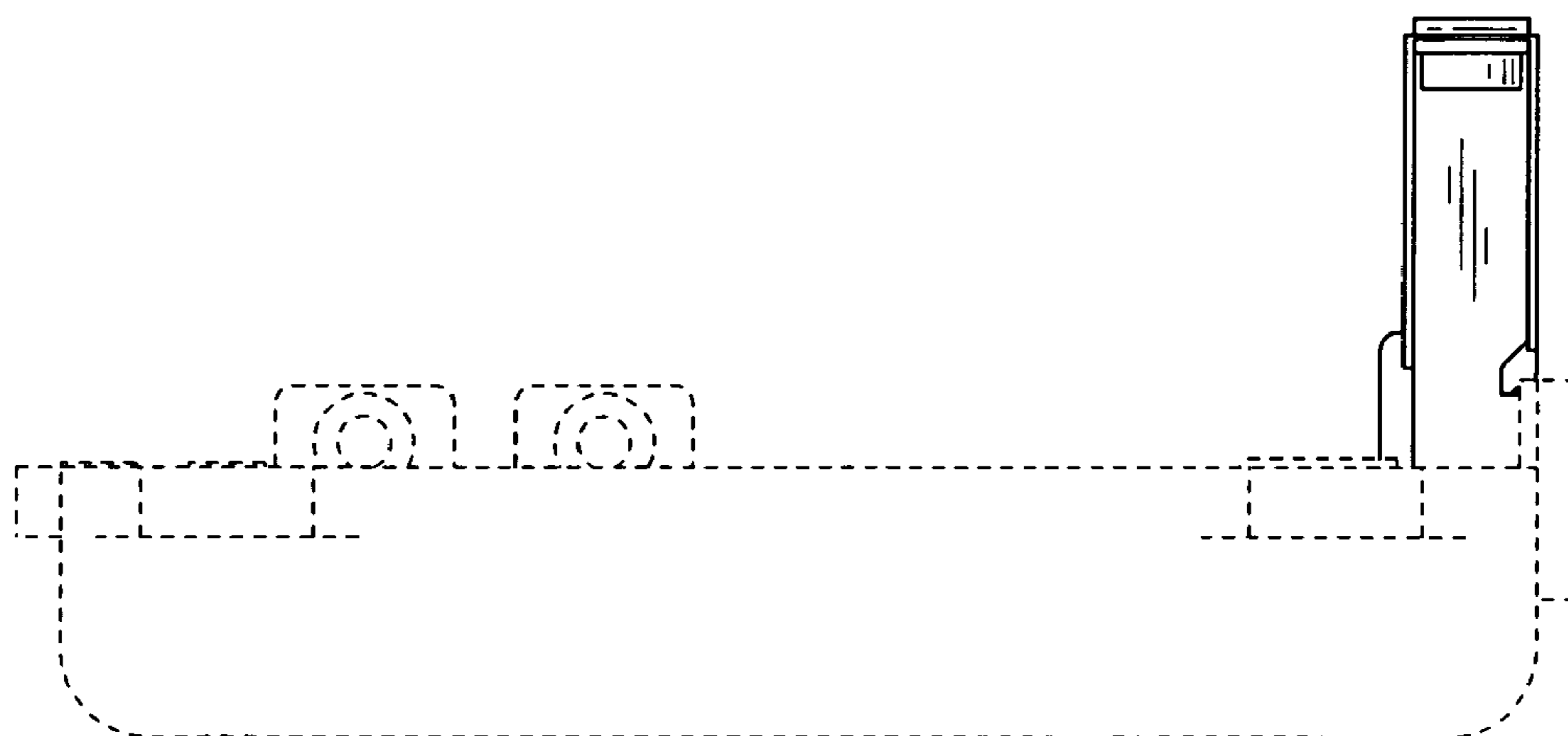


FIG. 7